



Winch handles

Winch floating handle



Fitted with "Lock In" winch system; **universal size** for any winch; handle on **ball bearings**; made of **nylon** (fiberglass), ensure the same strength as steel handles.

Code	Length mm
57.176.09	200 (8")
57.176.10	250 (10")

Spare winch handles



Made of **anodized aluminium**, fitted with nylon handgrip and safety locking system; **universal model**.

Code	Length mm
57.109.01	250



Speedgrip universal winch handle

Made of anodized aluminium with **ball grip**.

Code	Length mm
57.110.01	250

Winch handle pocket made of PVC



Made of soft **PVC**.

Code	Section mm	Length mm
57.635.72	90x60	290

Winch handle pocket made of fabric



57.175.20 Made of sturdy white sail fabric with trims, universal model, elegant package.



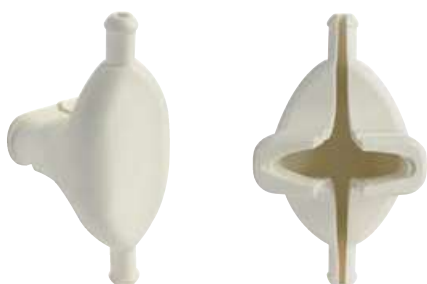
Universal winch handle holder

Made of **black nylon**, suitable for winch handles; 3-screw mounting, used instead of PVC pockets.

Code	Ø base mm	Size mm
57.635.70	52	26

Jib furlers and spreader covers

OSCOLATI



Self-adjusting spreader boots with aerodynamic profile

Made of soft thermoplastic, designed for round- and wing-section crosstrees. Fast to mount by means of our self-amalgamating tape 65.115.01 or similar.

Code	For cables up to mm	For crosstrees, max section mm	External size mm	ORDER BY BOX
57.492.01	4	38x13	114x45x48	2
57.492.02	6	57x17	145x65x60	2
57.492.03	8	83x25	190x93x71	2



Self amalgamating tape for spreader boots

Made of soft UV-resistant plastic material; easy to remove when worn out.

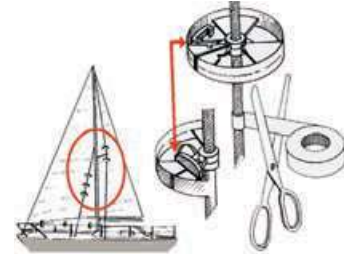


Code	Colour	Roll
57.374.00	Light grey	25 mm x 10 m

“Sailguard” sail savers

Made of white nylon; easily installed without dismantling the shrouds; supplied in an elegant package.

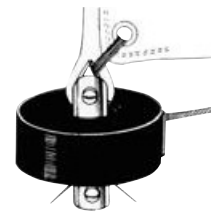
Code	Suitable for	ORDER BY BOX
57.373.40	stays up to 9 mm	2



SEA SURE jib furling system with manual return line

Made of stainless steel, fitted with nylon pulley. Designed to guarantee full reliability. The drum is closed and protected thus avoiding the line from getting stuck or twisting when opening and closing. It consists of stainless steel bearings for perfect functioning even when the forestay is under maximum tension. It is only 50-mm high thus allowing to install the jib very low, just above the deck in order for the sail to be fully efficient. It can also be mounted below deck by using an additional stainless steel extension hose. The jib furling system can wind up to 3.5 mm of 3-mm diameter line thus allowing the use of sails with approx. 3-mm long lower rim (length from tack to sheet). This length is shorter in case of lines with larger diameter.

Code	Suitable for	Drum Ø mm	Weight
57.299.00	All types of keels	69	116



Sea Sure swivel

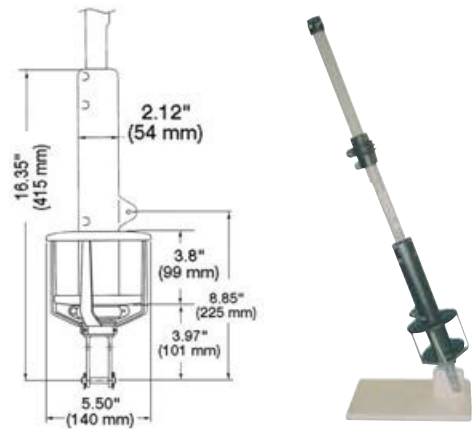
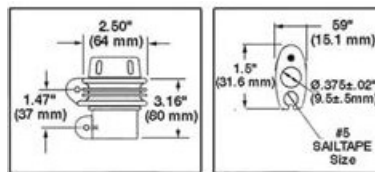
Code	Description
57.295.00	Made of stainless steel, for furler, integrated stainless steel bearing



HOOD Seal Flex furling device fitted with profile

This furling device was designed to offer small boats the same advantages of large boats, maintaining a low cost. Easy to install, one piece plastic profile fitted with embed inside a steel cable to improve performance (maximum forestay length 10,30 m pin to pin). Removable drum for high performance; made of anti-UV plastic material, rust-proof and Derlin ball bearing to provide perfect sliding.

Code	With stay up to mm	For boats
57.050.00	6	from 18' to 26'



Real leather spreader boot

Anti-water, salt- and UV-resistant leather with elastic rim and neoprene lining. Hook&loop fastener. For any type of crosstree. Fast installation. Sold in pairs.

Code	Crosstree section mm	
	Continuous rig	Linked rig
57.493.01	55-95	-
57.493.02	95-122	74-95
57.493.03	-	105-122
57.493.04	122-154	122-154

