

Easy Up under-platform ladder with handles

With overhanging rungs that make it easy to pull out the ladder and built-in climb-back handles

Automatic handles that open and close automatically when pulling out or closing the ladder

Easy to install

43-mm rungs for better comfort

AISI 316
Stainless steel

View page 863

Telescopic and folding ladders

Telescopic ladder for gangplank



AISI 316 Made of mirror-polished stainless steel.

Version with steps		Ladder	Steps	Tube Ø mm	Length mm		Max width mm
white	black				Extended	Retracted	
49.541.03	49.541.53	Standard	3	19/25/32	889	370	300
49.541.04	49.541.54	Standard	4	19/25/32/38	1.156	394	315
-	49.541.55	Standard	5	19/25/32/38/44	1.420	450	315
49.541.22	-	Narrow	2	25/32	597	340	210
49.541.23	-	Narrow	3	19/25/32	889	368	210
49.540.03	-	Wide	3	19/25/31	889	368	392
49.540.04	-	Wide	4	19/25/32/38	1156	394	392
49.540.05	-	Wide	5	19/25/32/38/44	1400	445	392



▲ For mounting on the gangplank



Gangplank telescopic ladder with built-in handle

AISI 316 Made of mirror-polished stainless steel. Oval steps with white plastic footboard.

Code	Steps	Tube Ø mm	Length mm		Max width mm
			Extended	Retracted	
49.553.03	3	19/25/32	889	370	300
49.553.04	4	19/25/32/38	1.156	394	315



Gangplank telescopic ladders with grip handle

PATENT / BREVETTATO

AISI 316

Equipped with **foldable handle** make climbing on board easier. Made of mirror-polished AISI 316 stainless steel with superior finish, oval steps and white plastic footboard.

Code	Steps	Pipe Ø mm	Length mm		Max width mm	Mounting
			Open	Closed		
49.551.03	3	19/25/32	889	370	330	Bathing platform/gangplank
49.551.04	4	19/25/32/38	1156	394	345	Bathing platform/gangplank
49.551.05	5	19/25/32/38/44	1400	440	430	Bathing platform/gangplank
49.551.23	3	19/25/32	889	370	240	Bathing platform/gangplank



OSCOLATI



Total Black telescopic ladders for platforms black colour

AISI 316

Ladders are coated in black through a modern industrial process guaranteed for 500h in saline fog conditions.

Code	Steps	Tube Ø mm	Length mm		Max width mm
			open	folded	
49.536.03	3	19/25/32	889	370	300
49.536.04	4	19/25/32/38	1.156	394	315



OSCOLATI



Telescopic ladder for gangplank fitted with large steps.

AISI 316

EXTRA-LARGE STEPS (57 mm)

Mirror-polished stainless steel with **57-mm deep steps** for better comfort.

Code	Steps		Length mm		Width mm
	No	colour	open	closed	
49.541.63	3	Black	870	370	300
49.541.64	4	Black	1150	395	315
49.541.65	5	Black	1400	440	325





Big telescopic ladder for platform

AISI 316 **EXTRA-LARGE STEPS (57 mm)** **EXTRA-LARGE STRUCTURE**

Made of AISI316 stainless steel, with 57-cm wide steps for better comfort, 305-mm tube centre distance.

Code	Steps		Length mm		Width mm
	No.	Colour	open	folded	
49.541.74	4	Black	1140	398	352
49.541.75	5	Black	1415	454	358



OSCULATI



Telescopic ladder for platforms, with oval tubes and larger step

PATENT PENDING **AISI 316** **LARGE STEPS (43 mm)**

The oval tubes make the ladder more valuable. Better grip when climbing up.

Code	Steps		Length mm		Max width mm
	No	Colour	open	closed	
49.555.03	3	Grey RAL 7046	850	375	300
49.555.04	4	Grey RAL 7046	1130	406	306
49.555.05	5	Grey RAL 7046	1370	439	318



OSCULATI



DIVER telescopic ladder for gangplank

AISI 316 Made of mirror-polished stainless steel. Anti-slip steps. Ideal for scuba diving and water sports.

Code	Steps		Hose Ø mm	Length mm		Width mm	Mounting
	Number	Colour		Open	Closed		
49.552.03	3	Black	19/25/32	870	390	350	Under platform
49.552.04	4	Black	19/25/32/38	1150	440	350	Under platform

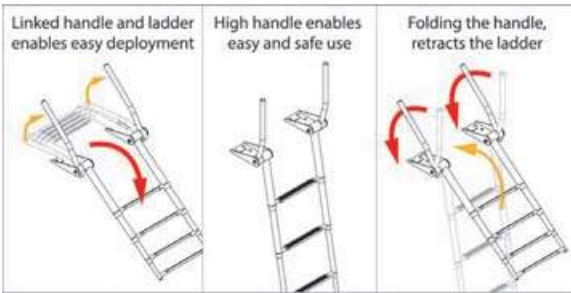


EasyUp Telescopic ladder with handles for installation above the bathing platform

AISI 316 PATENT PENDING AUTOMATIC HANDLE

The holding handle rises and lowers when the ladder is deployed.
Extra-large step (52,5 mm). Mirror-polished AISI316 stainless steel.

Code	Steps	Tube Ø mm	Length mm		Max width mm	Height closed mm
			open	closed		
49.575.04	4	19/25/32/38	1185	480	515	60



OSCOLATI



DOUGLAS MARINE universal foldable handle for climbing ladder of stern gangplank

To be fixed on the side of the ladder (right or left) for easy climbing on the gangplank.
Snap lock during either use and rest position.

Code	Base mm	Tube Ø mm	Length mm
49.564.00	110x36	22	370



U Douglas Marine



Ray flush-mount climbing aid handle

AISI 316 FLUSH LOOK

To be installed near the ladder to facilitate climbing on board.
Made of AISI316 mirror-polished stainless steel. Lock in vertical position and flat when closed.
Anti-vibration lock when open or closed. Fitted with studs and counterplate for installation.

Code	Base Ø mm	Handel mm	Mounting hole-Ø mm	Studs mm
49.565.00	92	310x30	75	5x70



OSCOLATI



New Oval-section climb-up handle

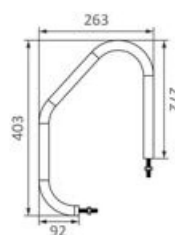
AISI316

Oval-section climb-up handle for a better grip. Stud-mounting near the ladder, made of mirror-polished AISI316 stainless steel. This item is sold alone, order 2 pieces if you need a pair.

Code	mm	Section mm	Mounting
49.570.00	403x263	23x33	Studs M8x50



OSCOLATI



OSCULATI

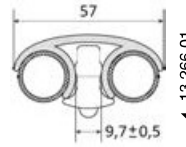
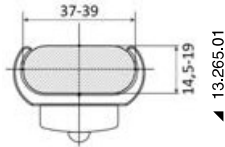


Underwater LED light for ladders

PATENT

Little interlocking light for telescopic ladders. Automatic switching when getting in touch with water. 100-h life sealed battery. Sold in 2-pc display package. Available for both Standard step ladders (38 mm) and for Extra-large step ladders (57 mm and up). Pressure mounting on the highest step, they take no room at all.

Code	Version	Light colour	Life h	Package pcs
13.265.01	Light for Standard 38-mm step ladder	Blue	100	2
13.266.01	Light for Extra-large 57-mm double step ladder	Blue	100	2



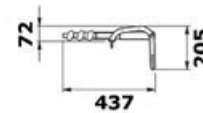
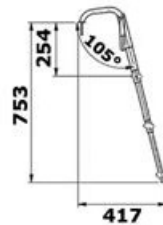
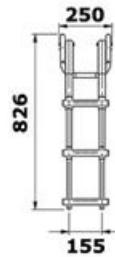
OSCULATI



Very compact telescopic ladder with handles for gangplanks

Made of mirror-polished AISI 316 stainless steel.

Code	Steps	Tube Ø mm	Length mm		Max length mm
			open	closed	
49.556.03	3	19/25/32	820	437	250



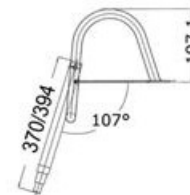
OSCULATI



Gangplank telescopic ladder with handles

Made of mirror-polished AISI 316 stainless steel with superior finish, oval steps and white plastic footboard.

Code	Steps	Pipe Ø mm	Length mm		Max length mm
			open	closed	
49.546.03	3	19/25/32	889	370	360
49.546.04	4	19/25/32/38	1156	394	375



Ladder

AISI 316

Made of mirror polished stainless steel, fitted with Iroko steps. Very elegant and comfortable, foldable halfway, with special joint made from a stainless steel bar.

Code	Steps	Length mm	Width mm
49.566.03	3	610	247
49.566.04	4	850	247
49.566.05	5	1100	247

Quick coupling kit for stainless steel ladders

Code	Description
49.560.00	To turn ladders 49.566.03, 49.566.04, 49.566.05, 49.572.03, 49.572.04, 49.572.05, 49.582.03, 49.582.04, 49.582.05 into removable ladders. It consists of 2 plates + two brackets. Suitable for any ladder with 22-mm tube.



Foldable ladders wall-mounting

AISI 316 Made of mirror polished **stainless steel**, designed for stern mounting, fitted with oval steps; these type of steps are smoother and more comfortable than traditional rounded steps; the upper steps are coated with a anti-skid plastic material.

Code	Type of ladder	Steps	Length mm	Width mm	Centre distance mm
49.572.03	Standard	3	630	260	240
49.572.33*	Narrow	3	630	220	200
49.573.03*	Very narrow	3	630	180	160
49.572.04	Standard	4	900	260	240
49.572.05	Standard	5	1150	260	240

* Specially designed for **rubber dinghies**.



Foldable ladder with arch mounting arms

AISI 316 Made of mirror polished **stainless steel**, fitted with arch mounting arms, made for an easier climb; oval steps, these type of steps are smoother and more comfortable than traditional rounded steps; the upper part of the steps is coated with a anti-skid plastic material.

Code	No. of steps	Length mm	Width mm	Centre-to-centre mm
49.582.03	3	670	260	240
49.582.04	4	910	260	240
49.582.05	5	1150	260	240



Telescopic ladder for fixing under the gangplank

AISI 316 Made of mirror-polished **stainless steel**.
Oval steps with with plastic foot board.

Code	Steps	Tube Ø mm	Length mm		Max width mm
			Extended	Retracted	
49.542.03	3	19/25/31	880	370	300



▲ For mounting under the gangplank

OSCOLATI



OSCULATI



Hidden telescopic ladder

AISI 316

Made of **mirror polished stainless steel**; oval steps with white plastic coating, fitted with fall safe front lock, ladder folds away inside itself for maximum convenience

Code	Steps	pipe Ø mm	Length mm		Max width mm	Version
			Open	Closed		
49.543.03	3	19/25/32	880	373	300	standard
49.543.04	4	19/25/32/38	1155	405	300	standard
49.543.33	3	19/25/32	880	373	205	narrow for dinghies



OSCULATI

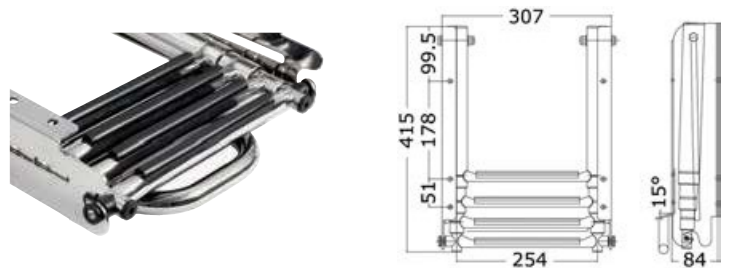


Sliding ladder to be mounted under the platform

AISI 316

Built-in lifting handle. Vibration-dumping lock.

Code	Steps		Length mm		Max width mm	Tube Ø mm
	No.	Colour	open	folded		
49.558.04	4	Black	1125	415	307	19/25/32/38



OSCULATI

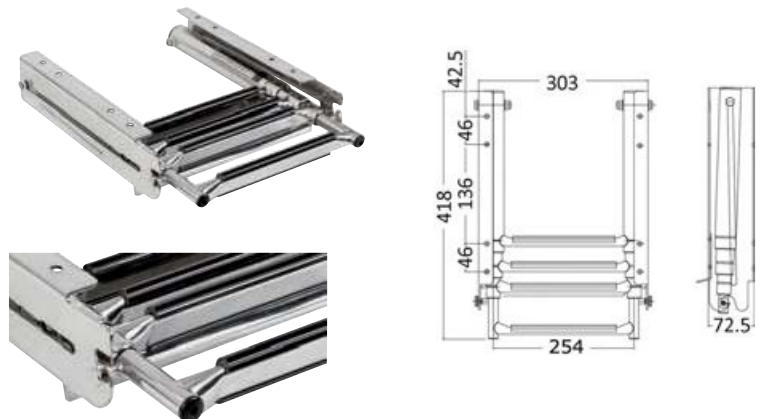


Ladder with overhanging rungs, to be mounted under the platform

AISI 316

Hidden ladders with 4 rectangular black plastic rungs. 100% stainless steel.

Code	Rungs		Length mm		Max width mm	Tube Ø mm
	No.	Colour	extended	retracted		
49.560.04	4	Black	935	418	303	19/25/32/38



New**Easy Up under-platform ladder with handles****AISI316****AUTOMATIC HANDLES**

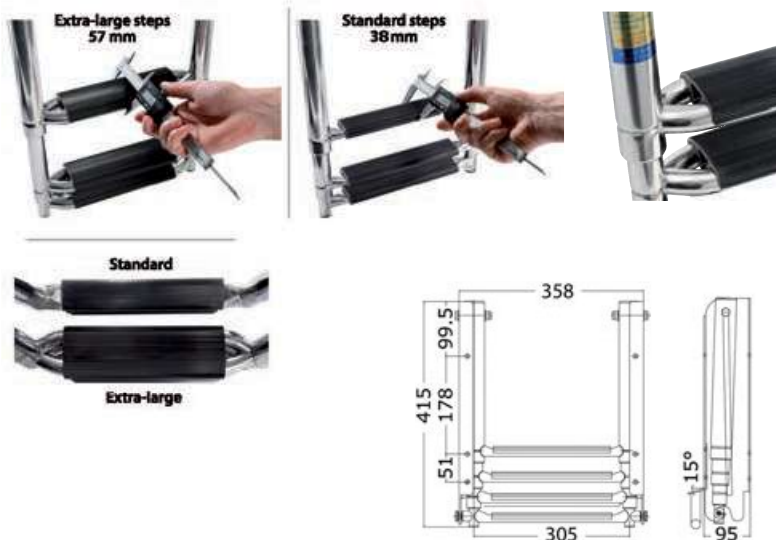
Under-platform 4-step telescopic ladder made of AISI316 stainless steel. Fitted with overhanging rungs that make it easy to pull out the ladder and built-in climb-back handles that open and close automatically when pulling out or closing the ladder. 43-mm black plastic rungs for better comfort.

Code	Model	Steps		Length mm		Width (C) mm	Tube Ø mm
		No.	Colour	open (A)	folded (B)		
49.577.04	Normal	4	Black	1040	480	440	19/25/32/38
49.578.04	Big	4	Black	1040	480	520	19/25/32/38

OSCOLATI**Big under-platform sliding ladder****AISI 316****EXTRA-LARGE STEPS (57 mm)****EXTRA-LARGE STRUCTURE**

Built-in climb handle and vibration-dumping locking system. Made of AISI316 stainless steel, with 57-cm wide steps for better comfort. 305-mm tube centre distance.

Code	Steps		Length mm		Width mm	Tube Ø mm
	No.	Colour	open	folded		
49.558.14	4	Black	1125	415	358	19/25/32/38

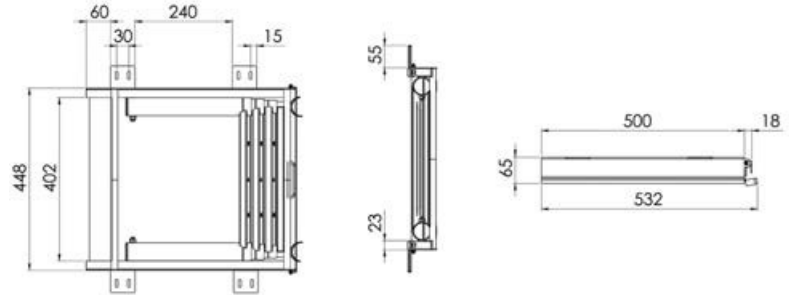




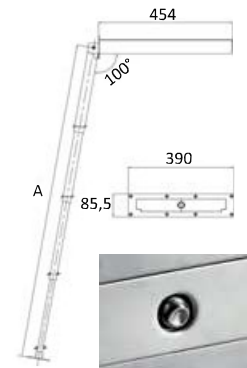
Top Line ladder with slide

4-step telescopic ladder with increased section structure. Teak steps, Mounting under the gangplank. Possibility of recess mounting with installation on the bathing platform inside a locker.

Code	Steps	Pipe Ø mm
49.547.04	4	44/38/32/25



OSCULATI



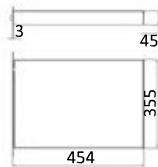
Hidden telescopic ladder - Standard version

AISI 316

Fitted with a telescopic ladder 3/4 steps under our product number 49.541.03/04 + box to be recessed into the bathing platform. Made of **mirror polished stainless steel**; easy to use, fast installation.

Code	Steps	Length A mm	Front frame mm	Type
49.544.03	3	870	390x85,5	Snap
49.544.04	4	1168	390x85,5	Snap

For installation above waterline in a locker with drain. Non water tight box.



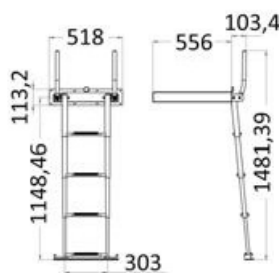
OSCULATI

EasyUp built-in telescopic ladder with handles

REGISTERED DESIGN / DISEGNO DEPOSITATO **AUTOMATIC HANDLE**

Recess-fit AISI316 stainless steel telescopic ladder, 4 steps. Fitted with built-in railings that automatically raise and lower when you rotate the ladder. The railing closing system makes it easier to retrieve the ladder from the gangplank. The ladder has a guided pull-out system for better and more precise sliding.

Code	Steps	Tube Ø mm	Lenght mm		Max width mm	Height when closed mm
			open	closed		
49.569.04	4	19/25/32/38	1481	556	518	113.2



Easy Up under-platform ladder with handles

OSCOLATI

Fitted with overhanging rungs that make it easy to pull out the ladder and built-in climb-back

Automatic handles that open and close automatically when pulling out or closing the ladder

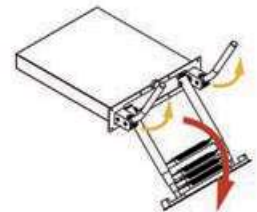
Easy to install

43-mm rungs for better comfort

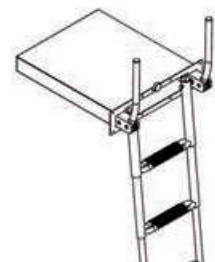
AISI 316
Stainless steel



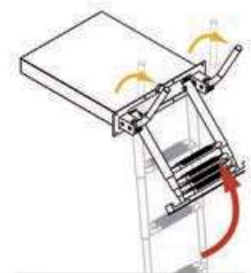
The weight of the ladder lifts the handles automatically



High handle enables easy and safe use



Folding the handle, retracts the ladder



U Douglas Marine



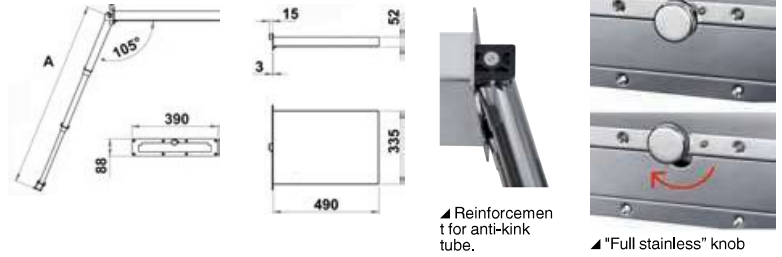
Eccentrica hidden ladder

AISI 316 **PATENTED**

3- or 4-step telescopic ladder (49,541.03/04) + box to be recessed into the gangplank thickness. Made in Italy by Douglas Marine. High-precision slip-in/out sliding movement.

Code	Steps	Length A mm	Front plate mm	Type
49.549.03	3	854	390x88	Manual closure
49.549.04	4	1127	390x88	Manual closure

For installation above waterline in a locker with drain. Non water tight box.



U Douglas Marine

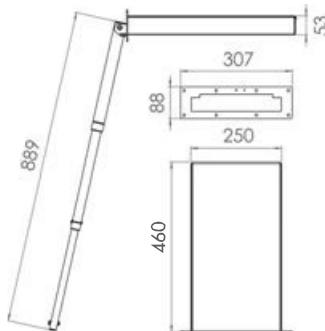


New **Mini retractable ladder**

AISI316

Compact built-in telescopic ladder with 3 steps + case to be integrated into the gangplank thickness. Ideal for smaller boats for its compact size. Made of mirror-polished stainless steel. Made in Italy by Douglas Marine. High-precision slip-in/out sliding movement.

Code	Steps	Length mm	Front plate mm	Casing mm	Type
49.549.63	3	889	307x88	250x460x53	Manual closure



U Douglas Marine



Portofino retractable ladder

AISI 316 **PATENTED** **INTEGRATED HANDLE**

4-step telescopic ladder with built-in railing for easier climbing. Slides and guides made of AISI stainless steel, delrin bearings, improved mechanical parts. Made in Italy by Douglas Marine.

Code	Steps	Length mm	Front plate mm
49.568.04	4	1156	55x95

For installation above waterline in a locker with drain. Non water tight box.

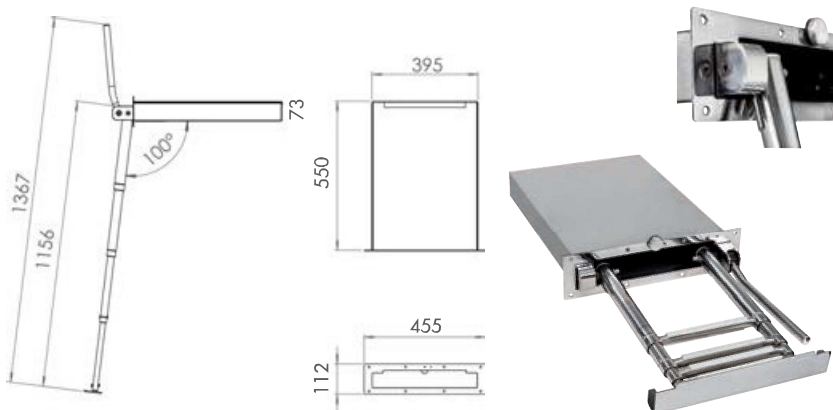


New EasyOne retractable ladder

AISI316 **AUTOMATIC HANDLE**

4-step recess-fit AISI316 stainless steel telescopic ladder. Fitted with built-in railing that automatically raises and lowers when you rotate the ladder. The railing closing system makes it easier to retrieve the ladder from the gangplank. The ladder has a guided pull-out system for better and more precise sliding.

Code	Steps	Length mm	Front plate mm	Casing mm	Type
49.570.04	4	1156/1367	455x112	395x550x73	Manual lock



U Douglas Marine



Montecarlo hidden telescopic ladder

AISI 316 **PATENTED** **EXTRA-LARGE STEPS (57 mm)**

Telescopic ladder with 4 steps + box to be slipped into the gangplank thickness. High-precision slip-in/out sliding movement. **Made in Italy.**

Code	Type	Steps	Internal ladder	Length mm	Front plate mm
49.554.04	Standard	4	49.541.64	1130	395x104
49.559.04	XL	4	49.541.74	1150	449x101

For installation above waterline in a locker with drain. Non water tight box.



U Douglas Marine

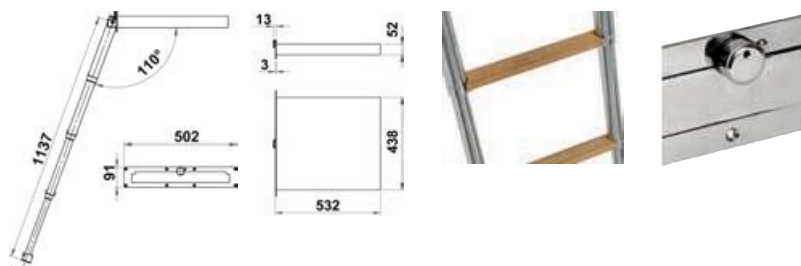


TOP LINE hidden telescopic ladder

AISI 316 4-step telescopic ladder art. 49.547.04 with teak steps + housing to be built in the gangplank thickness. Mirror-polished stainless steel. Easy and fast mounting.

Code	Steps	Length mm	Front plate mm
49.550.04	4 Teak	1137	502X91

For installation above waterline in a locker with drain. Non water tight box.



U Douglas Marine





Climbing step

Made of stainless steel, 25-mm Ø tube with clinched step for easier climbing.

Code	Width mm
49.562.00	300x135 h



Climb step made of teak

Made of polished AISI 316 stainless steel, equipped with teak step.

Code	mm
49.562.01	270x130x25



Bathing folding step

Made of **stainless steel**; universal size, also suitable for climbing down into engine bays or similar.

Code	Base mm	Step mm	Size mm
49.586.00	110x45	50x85	21 (bent)

OSCULATI



Pole for boarding operations, easy to remove and disassemble

Black anodized aluminium pole fitted with a convenient handle for easier boarding and landing operations. Easy to disassemble in two parts for better stowage. Once mounted, stick it into its flush bushing.

Code	To be paired with base	Tube Ø mm	kg
49.568.10	46.815.00	38	1.5



Removable ladders



Ladder made of mahogany wood

Steps coated with anti-skid material 49.105.01; **chromed brass** hardware; includes hooks, hinges, side locks and rubber grommets; suitable for motor and sail boats.

Code	Steps	Length mm		Width mm
		opened	closed	
49.531.04	4	740	400	330
49.531.06	6	1190	630	330



Eco ladder

Anodizer aluminium tube. Technopolymer steps. Foldable arms. Floating.

Code	Steps	Arm bend Ø mm
49.529.23	3	200
49.529.24	4	200
49.529.25	5	200

Ladder

Made with anodized mirror polished **anticorodal** tube; fitted with patented swivelling heads, foldable side rails, mounted on antiscuff plastic bushings; anti-skid **nylon** steps; light and floating, fitted with protective tubes on the side rails.

Code	Steps	Arm curve Ø mm	Complete spare foot	Spare step
49.529.02	2	250	49.529.00	49.529.06
49.529.03	3	250	49.529.00	49.529.06
49.529.04	4	250	49.529.00	49.529.06
49.529.05	5	250	49.529.00	49.529.06
49.539.03	3	175	49.529.00	49.529.06
49.539.04	4	175	49.529.00	49.529.06

OSCULATI

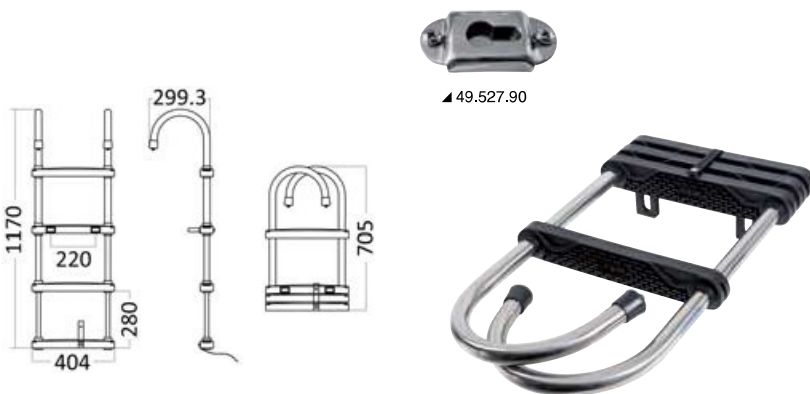


▲ Spare base

ECO telescopic ladder

Made of mirror-polished AISI 316 stainless steel. Foldable side rails, anti-skid steps and plastic spacers. Optional plates to fix it to the floor.

Code	Steps	Ladder length mm		Max width mm	Plate OPTIONAL
		opened	closed		
49.527.04	4	1170	705	404	49.527.90



OSCULATI



Bow telescopic ladder

Made of mirror-polished AISI 316 stainless steel. The rotating arms hook to the pulpit. Technical characteristics: telescopic ladder with oval steps coated with white plastic; rotating hooking arms; telescopic strut to the bow.

Code	Steps	Ladder length mm*		Max length mm
		open	closed	
49.548.04	4	1100	394	315

* Plus 250 mm of hooking arms



▲ 49.533.02



▲ 49.533.01



Rubber dinghy ladder

Made of **folding anodized aluminium**, lightweight and floating. Fitted with stainless steel **snap hook** and **rope**. For snap hook hinges please see our items 39.170.91, 39.170.92.

Code	Steps	Length mm	Width mm	Shackle INCLUDED	OPTIONAL fittings
49.533.01	2	900	250	09.187.08	39.170.91; 39.170.92
49.533.02	3	1150	250	09.187.08	39.170.91; 39.170.92

▲ 49.533.01



▲ 49.533.02



Folding rubber dinghy ladder

Made of mirror polished **stainless steel**, fitted with three steps; includes **nylon** straps and buckle for floor mounting, universal size.

Code	Length mm	Width mm
49.528.03	880	250



Temporary boarding ladder

Made of blue **nylon cord**, fitted with **polycarbonate** steps.

Code	Steps	Length mm	Steps mm	Rope Ø mm
49.524.03	3	940	300x110x40	12
49.524.04	4	1140	300x110x40	12
49.524.05	5	1340	300x110x40	12
49.524.10	10	3000 + rope	300x110x40	12



Tube quick-release ladder for dinghies

AISI 316

Made of mirror-polished stainless steel. Steps with anti-slip plastic footboard. Fastening to the pull catch by means of 2 x stainless steel plates (included) and adjustable strap with stainless steel self-locking buckle. Fit for dinghy tubulars up to 500-mm Ø. Fitted with climb handle.

Code	Steps	Tube Ø mm	Length when open mm	Length when folded mm	For tubular up to Ø mm
49.557.04	4	19/25/32/38	1130	467x343	500



OSCOLATI

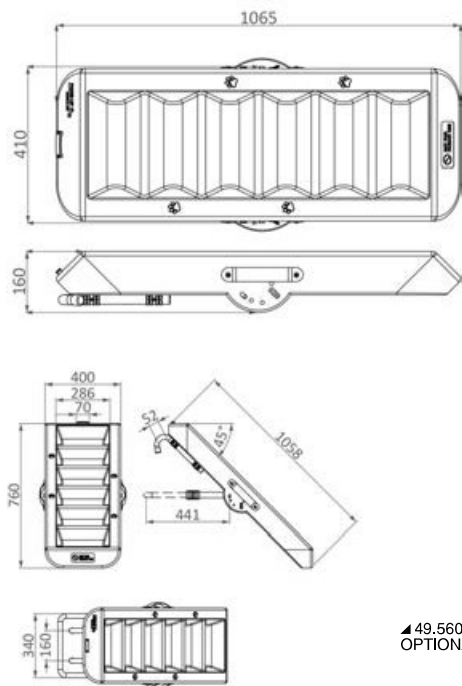


Paws Up doggy ramp

Lightweight, antiskid, easy to install on and remove from already mounted ladders (min. 3 steps, 38- to 57-mm wide) in a matter of seconds. Telescopic tubes adjustable in 3 positions for perfect inclination. Fitted with safety strap with hook&loop fastener.

Code	mm			Quick coupling kit OPTIONAL*
	size closed	length	width	
49.538.20	410x1065x160	760	340	49.560.00

* For installation separate from the ladder.



▲ 49.560.00
OPTIONAL KIT



OSCOLATI



Emergency ladders



▲ 49.523.10

OSCULATI

Emergency ladder

To be fastened to the pushpit. In a man-overboard situation, pull the pull cord on the protective covering and unroll the ladder to climb aboard; ideal for solo sailors.

Code	Covering		Steps	ladder mm	
	mm	colour		length when open	width
49.523.03	35x23x5	White	3	940	300
49.523.04	35x23x5	White	4	1140	300
49.523.05	35x23x5	White	5	1340	300
49.523.10*	35x23x5	White	10	3000 + rope	300

* In compliance with ISO15085

OSCULATI

Recess-fit 3-step emergency ladder

Watertight thermopolymer housing. Ladder with nylon braid structure and highly resistant thermopolymer steps. To be installed above the waterline. Very simple to use: in a man-overboard situation, the crew member in the water pulls the locking cap ring to let the ladder out of its housing.

Code	Mounting	Steps	Length cm	cm				Locking cap (OPTIONAL)
				A	B	C	D	
49.522.03	Front screws	3	110	100	58	225	-	49.522.14
49.522.13	Rear nut	3	110	80	58	185	52	49.522.14

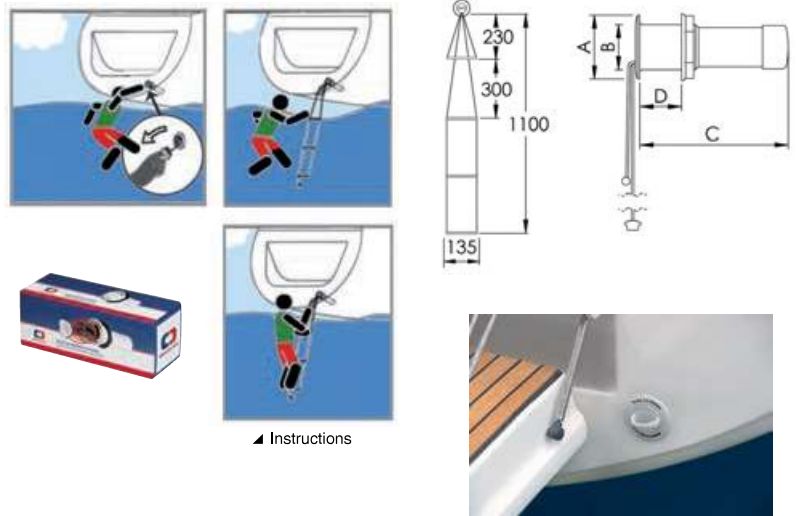


▲ 49.522.13

▲ 49.522.13

▲ 49.522.13

▲ 49.522.03



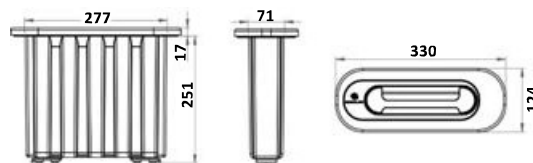
▲ Instructions

OSCULATI

Recess fit emergency ladder suitable to comply with ISO 15085 and ABYC H-41 standards

Ladder to be used to climb back onboard in case of emergency.
 - Watertight and reinforced ASA housing.
 - Pull-out cover to open the ladder.
 - Polyester tape ladder with stiff steps.
 - FLUO stripe on the steps for better visibility at night.

Code	ladder mm		Colour	Steps
	length when open	step width		
49.525.00	2400	250	White	7



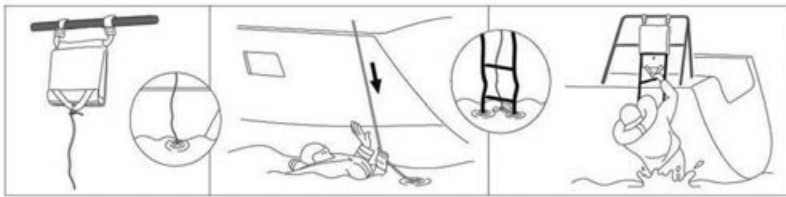
Emergency ladder in compliance with ISO 15085 standards

Ladder to be used to climb back onboard in case of emergency, Easy and fast installation to the stern pulpit.

Technical specification:

- Made of polyester tape, fiberglass inserts to reinforce the steps.
- FLUO stripe on the steps for better visibility at night.
- Case with retro-reflective stripe.
- Install the ladder to the pulpit by means of 2 black satin-finish stainless steel buckles + 2 TENAX spring buttons.
- PVC case.

Code	←→ mm	Case		Steps	←→ ladder mm	
		colour	colour		length when open	width
49.522.30	280x254x60		White	11	3300	250
49.522.31	280x254x60		Black	11	3300	250



OSCULATI



Anti-skid tape

Anti-skid self-adhesive tape - Usaflex - Tred

Code	Height mm	Roll m	Color
49.105.01	25	20.5	<input type="checkbox"/> White
49.105.02	50	20.5	<input type="checkbox"/> White
49.105.03	100	20.5	<input type="checkbox"/> White
49.105.05	200	20.5	<input type="checkbox"/> White
49.105.06	300	20.5	<input type="checkbox"/> White



Anti-skid self-adhesive bench tape

The stand contains:

- 2 x 25-mm reels
- 1 x 50-mm reel
- 1 x 100-mm reel.

Code	Color
49.105.04	<input type="checkbox"/> White



Anti-skid strips supplied in an elegant package

Code	Packing	←→ mm
49.105.00	12 strips with rounded edges	20x300



3M Safety Walk

Anti-skid adhesive tape, provides an antiskid surface on all type of boats without altering the aesthetics; clear adhesive tape for hatches, white adhesive tape for fibreglass decks.

Code	Height mm	Roll m	Color
65.312.72	50	18.3	- transparent
65.312.73	25	18.3	- transparent
65.312.75	50	18,3	<input type="checkbox"/> white
65.312.76	25	18.3	<input type="checkbox"/> white

