

Gangways and accessories

Alloy lightweight gangway

OSCULATI

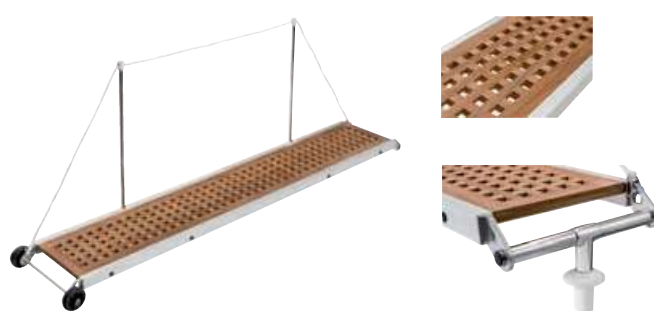


Made of **anodized aluminium** fitted with grating made of white anti-skid material, supplied with two **stainless steel** stanchions, wheels, **stainless steel** pivot pin and stringer bushing.

Code	Version	Length m	Width cm	kg
42.658.00	Fixed	2	33	10

Gangway with grating

OSCULATI



Made of **anodized aluminium**, fitted with genuine Siam **real teak grating**; supplied with two **stainless steel** stanchions, rubber wheels, **stainless steel** pivot pin and flush-mount bushing.

Code	Version	Length m	Width cm	kg
42.657.00	Fixed	2.1	34	13

Foldable gangway

Made of **anodized aluminium**, fitted with grating coated with white foldable antiskid material; foldable version, the two parts can be separated with two snap-in **stainless steel** pins.

Code	Version	Length m	Width cm	kg
42.656.00	Folding	2	33	12.6



OSCULATI



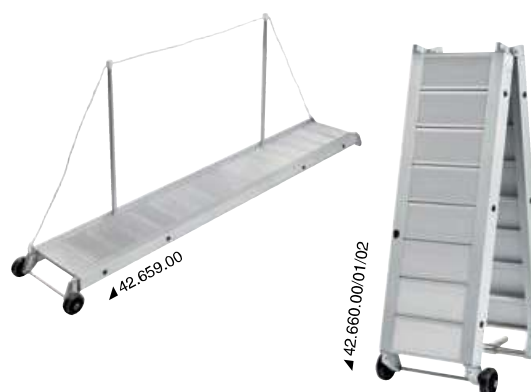
Aluminium gangways with oversized stringers

High-quality product, fitted with aluminium grating coated with antiskid stringers; it includes stanchions with handrail rope.

Code	Version	Length m	Width cm	Stub Ø mm	kg
42.659.00	fixed	2.1	36	25	14
42.660.00	foldable	2.1	36	25	16
42.660.01	foldable	2.6	36	25	18
42.660.02	foldable	3.1	36	25	22



OSCULATI



OSCULATI



Foldable alloy gangway with inserts

Made of **white lacquered aluminium**, fitted with **mirror polished AISI 316 stainless steel** accessories and **aluminium** grating with antiskid **Iroko** inserts; **stainless steel** stub.

Code	Version	Length m	Width cm	Bush Ø mm	kg	OPTIONAL stanchion kit
42.662.01	Foldable	2,1	36	25	16	42.662.11
42.662.02	Foldable	2,6	36	25	18	42.662.12
42.662.03	Foldable	3,1	36	25	21	42.662.13



Foldable gangway with grating



Made of anodized aluminium, foldable in two pieces, fitted with genuine Siam **real teak grating**; supplied with two **stainless steel** stanchions, rubber wheels, **stainless steel** pivot pin and flush-mount bushing. Fastening bushing Ø 25mm.

Extra aluminium gangway



Made of **anodized aluminium**, fitted with high-quality genuine Siam teak grating; It includes stanchions with handrail rope. Mounting socket Ø 25mm.

Code	Version	Length m	Width cm	kg
42.680.00	Foldable	2,1	36	18
42.680.01	Foldable	2,6	36	20
42.680.02	Foldable	3,1	36	24



Mirror polished stainless steel foldable gangways

Frame made of **round pipe** for extra strength, **precision-cast AISI 316 stainless steel** hinges and head, fitted with Iroko grating.

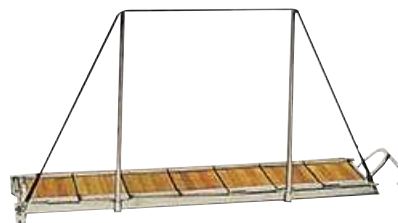
Code	Version	Length m	Width cm	kg
42.643.01	Foldable	1,6	28	11
42.643.02	Foldable	2,2	28	13,5



Stainless steel gangway/ladder

Fitted with wooden grating/steps; mirror polished **stainless steel** structure.

Code	Version	Length m	Width cm	kg
42.647.00	with plane transformable in steps	1,5	35	20



Polybridge II + EVA folding gangplank made of carbon

FPT (technical polyurethane) construction. Anodized aluminium hinges. Wheels with stainless steel case to lift the gangplank. Double pivoting lock.

It can be mounted with a single pin to let the gangplank swing, or with two pins for mere tilting (both pins included). The walking surface can be fitted with a white anti-slip cover, or covered in brown or grey EVA.

Code	Length m	Width cm	Length when folded m	Thickness when folded cm	Safety capacity kg	kg	Version
42.663.00	2.2	34	1.1	14	140	8	nonslip
42.663.10 New	2.2	34	1.1	14	140	8	w/brown EVA
42.663.20 New	2.2	34	1.1	14	140	8	w/grey EVA
42.663.61 New	2.6	34	1.3	14	140	10	nonslip

42.659.10; 46.659.25; 42.660.25 *OPTIONAL fastening bushing*



CARBONBRIDGE folding carbon gangway

High-Tech monocoque body made of carbon fibres previously impregnated with epoxy resins. High-resistance aluminium hinges, machined from solid and thick anodized in black colour. Aluminium pivoting pin. Antiskid walking surface.

Code	Length m	Width cm	Safety capacity kg	kg	OPTIONAL fastening bushing	Padded transport/stowage bag OPTIONAL
42.665.00	2.2	35	150	6,5	42.659.10; 42.659.25; 42.660.25; 42.644.00	42.665.01



Replacement bushing for gangways



Made of nylon.

Code	Flange Ø mm	Hole Ø mm
42.659.10	80	25

Bushing for gangway swivel AISI 316



Made of **AISI 316 stainless steel**, fitted with lower water drain and cap.

Code	Flange Ø mm	Hole Ø mm
42.659.25	80	25

Adjustable bushing (+-30°)

AISI 316

Suitable for providing **wall supports** to the gangways; made of **mirror polished AISI 316 stainless steel**.

Code	Mounting base mm	Suitable for gangway shaft	counter plate
42.660.25	100x80	25 mm	INCLUDED





Side bushing for gangway stanchions

Made of **chromed brass**.

Code	Ø hole mm	mm
42.644.00	25	60x68x33



Balance gear

Made of polished **stainless steel**, suited for supporting gangways; supplied with 3 shackles on the 3 corners for fitting into the stern stay or into the halyard and into 2 gangway support wires.

Code	width cm
42.770.00	50

Telescopic servo-assisted gangways/davits



BRIDGE telescopic hydraulic gangways with mirror-polished AISI 316 stainless steel structure

Automatically foldable stanchions to be mounted on both sides of the gangway.
Real TEAK BORMA grating.
Electronic control unit with simple "PLUG & PLAY" wiring.

Possibility to modify the gangway fulcrum position for an optimal positioning of the lifting piston.
The 12- or 24-volt gangway (to be specified) is equipped with:

- Hydraulic control unit with electrovalve
- High-pressure hydraulic piping with AISI 316 S.S. fittings
- Electronic control unit
- Built-in control panel
- Radio remote control
- Stanchions
- Stern plate
- Instructions for installation and use.

Version	LE mm	LC mm	MD minimum	H mm	Lifting capacity kg	kg	12 volt	24 volt
Bridge 20	2000	1200	300	800	200	60	42.620.01	42.620.51
Bridge 23	2300	1360	300	800	200	64	42.620.03	42.620.53
Bridge 27	2700	1575	300	800	200	71	42.620.05	42.620.55
Bridge 30	3000	1735	320	800	150	75	42.620.07	42.620.57



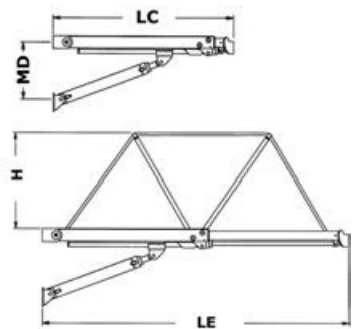
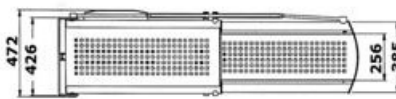
▲ Gangway electronic control unit



▲ Built-in control panel



▲ Radio remote control



SUP board holders



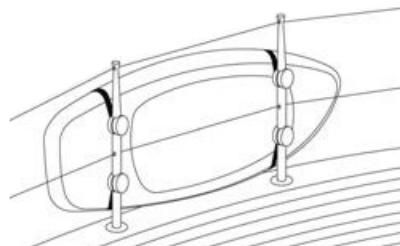
Strap kit for SUP boards or gangplanks

Compact yet extremely versatile product.

It is used to fasten the SUP board or the gangplank to the boat stanchions.

The system is fastened to the stanchion tubes by means of four clamps for a diameter ranging from 20 to 28 mm; two 2-m long nylon straps tightly tie the onboard accessories.

Code	straps mm	For tube Ø mm
42.366.00	2000x30	20/28



SUP board or gangplank holder kit made of stainless steel

This kit fastens the SUP board or the gangplank out of board. To be mounted to the railing by means of 360° adjustable clamps.

The quick release knob allows for each arm to be rotated immediately when not in use or to adjust to a smaller angle in case of narrower SUP boards or gangplanks. Each arm is fitted with an HD foam PVC chafe guard as well as adjustable and removable straps.

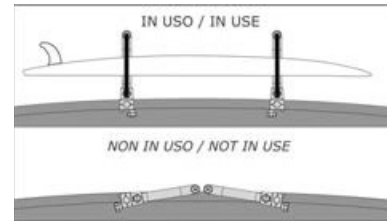
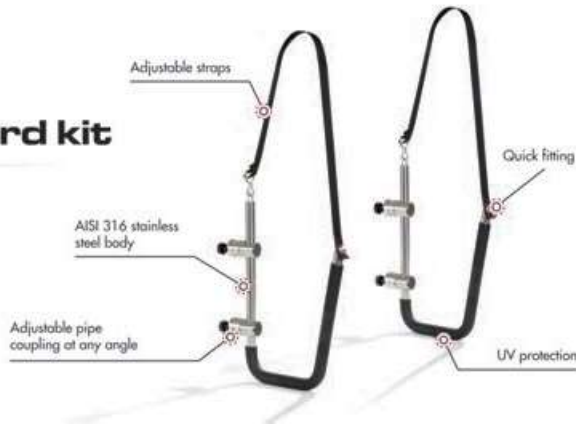
Standard version: for 22- to 30-mm diameter tubes with plastic accessories.
Deluxe version: for 20- to 28-mm diameter tubes with AISI316 stainless steel accessories.



Code	Version	dimensions mm	For tube Ø mm
42.365.00	Delux	230 x 115	20/28
42.365.10	Standard	230 x 115	22/30

SUP board kit

NEW UNIVERSAL KIT TO FIX THE TABLE OR GANGPLANK OUT OF BOARD



Fixed and telescopic davits

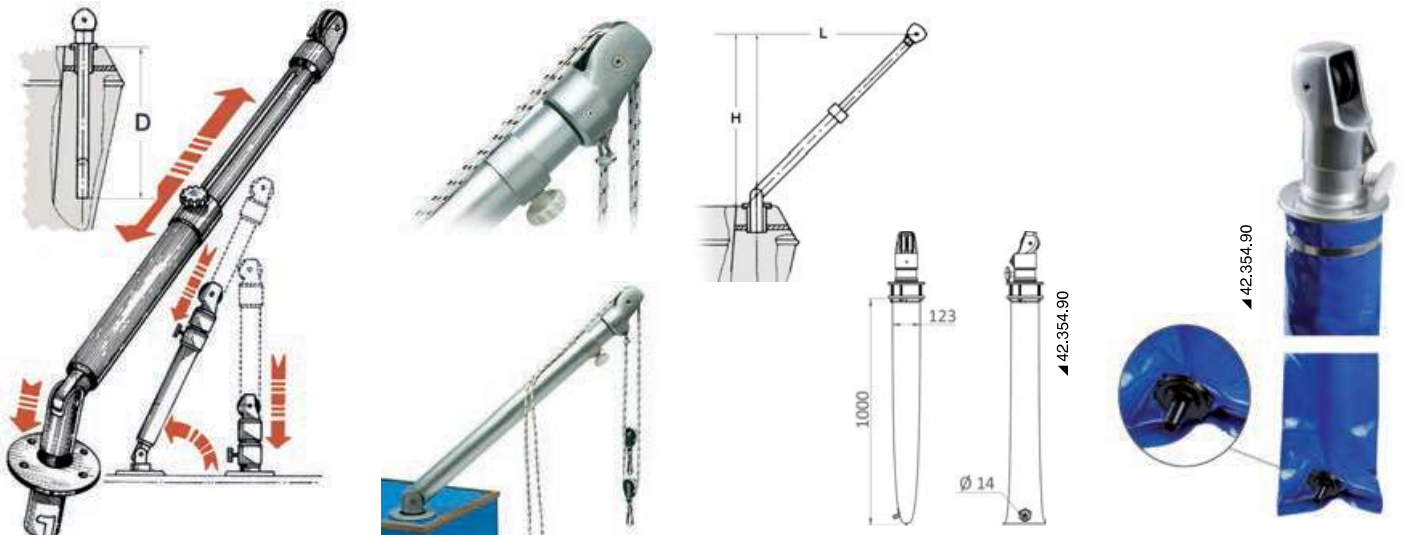
Telescopic davit



Made of **anodized aluminium**, universal size. Fitted with double sheave and becket for both gangway and dinghy. Two operating positions: in line with the boat (dinghy holding) or inclined at 20° on the inner part (gangway holding). The telescopic part B) can be adjusted in various positions, providing a perfect length adjustment for different types of dinghies.

OPTION 42.354.90: PVC drain bag with hose connector to be used in case of water seepage. Easy to install on the davit base by means of a metal clamp.


Code	Load capacity kg	Mounting base Ø mm	Recess hole Ø mm	Telescopic tube (A/B) Ø mm	mm			Tube Ø mm	ORDER BY BOX	Drain bag OPTIONAL
					Height (H)	Reach (L)	Inside (D)			
42.354.00	180 per pair	160	112	73/80	1.020	1.100	912 in rest position	73 + 80	2	42.354.90

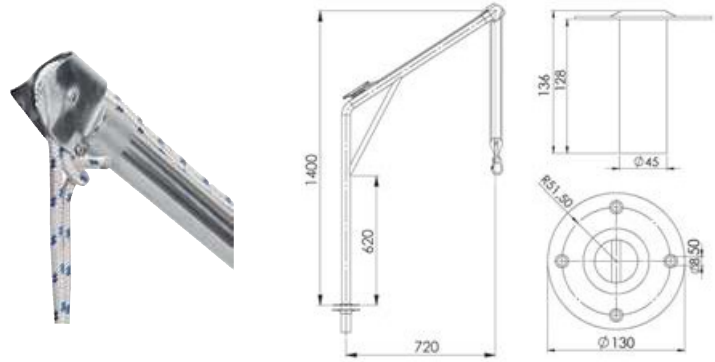




Stainless steel davit

Ideal to hoist tenders (in pairs) or outboard engines.
Fitted with recess-fit stainless steel bushing, return pulley and nylon line.


Code	Working loads kg	Tube Ø mm	
42.352.01	120 per pair	40	2



Swivelling davit

Made with mirror polished **stainless steel** tube. This swivelling davit is easily removed from the deck because it's mounted on interlocking **stainless steel** bushings, similar to those of a ski hauling rod. The part to be mounted on the deck is supplied with a long length and may be cut to fit the desired size. Overhanging parts are recommended not to exceed 40/45 cm beyond the deck.

Supplied with 2 **stainless steel** blocks, 2 **stainless steel** shackles, 2 **stainless steel** snap hooks, nylon line, nylon cleats, base and deck bushings.

Code	Pipe Ø mm	Capacity kg	Straddle cm	Part to fit in deck cm	Version	External bushing Ø mm	
42.353.00	40	125 per pair	75	150 (cut to measure)	standard	65	2



▲ Bushings


OSCOLATI



Foldable and swivelling davit

Made of **aluminium**, designed to lower the outboard motor on the tender. **Mounting and removal** in a matter of seconds, slip-off system from the brackets. Coated in white epoxy resin, fitted with hoist and stainless steel blocks as well as stainless steel snap hook, universal size fits any boat. It comes in a bag.

Code	Height cm	Projection cm	Working load max kg	Closed length	
				Ø mm	←→ cm
42.360.00	135	50	45	38	75

 **47.391.00** Matching harness



Small telescopic retractable davit

OSCOLATI

FLUSH

Dual universal retractable davit kit made of anodized aluminium. When in retracted position, it is hidden under the walking surface and leave the deck clear. Fitted with double sheave and becket for both gangway and dinghy. Two operating positions: in line with the boat (dinghy holding) or inclined at 20° on the inner part (gangway holding). The telescopic tube has a handle that can be rested on its head and adjusts the pole at different lengths depending on the needs and on the dinghy type.

OPTION 42.358.90: PVC drain bag with hose connector to be used in case of water seepage. Easy to install on the davit base by means of a metal clamp. Anodized aluminium rest base and anti-shock seal + drainage system.

Code	Capacity kg	Fastening base Ø mm	Recess bore Ø mm	Telescopic tubes Ø (inside/outside) mm	mm			ORDER BY BOX	Drain bag OPTIONAL
					height (H)	Reach (L)	inside (D)		
42.358.00	180 per pair	160	112	73/80	990	550/900	1115	2	42.358.90

49.560.00 *OPTIONAL system for installation on the gangplank*

