

BOMBA DE COMBUSTIBLE

FUEL PUMP

POMPA BENZINA

POMPE À ESSENCE

BOMBA DE COMBUSTIBLE MECÁNICA

FUEL PUMP MECHANICAL

POMPA BENZINA MECCANICA

POMPE À ESSENCE MECANIQUE

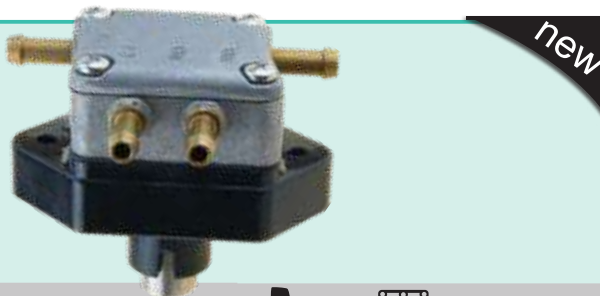


REF	OEM	STROKES	2T	4T
REC803529T06	803529T06 803529T03 802529T02 803529T1 803529T	4, 5, 6 HP USA (0R067090+ BEL (0P401000 - 0R411837)	✓	

REF	OEM	STROKES	2T	4T
PAF15-07140000	835389A2 835389T1 835389T02	8 (BODENSEE) 15, 13.5 Inter., 9.9 (323 cc)	✓	



REF	OEM	STROKES	2T	4T
REC692-24410-00	43113M 43113T	15 20C, 25C (Thru prop. exhaust) 30A 40 (Twin Carb) (W/oil injection) (w/auto-blend) 55, W-55	✓	



REF	OEM	STROKES	2T	4T
PAF40-05050000	881862T1 881862T07 892874T 8M0141844 899106T 8M0118176	25, 30, 40 HP PAGB/T3452.1-25X3.0	✓	



REF	OEM	STROKES	2T	4T
REC14360T74	14360T74	75, 90, 115 HP DFI (1.5L) 200, 225, 250, 300 HP DTS/DFI	✓	

REF	OEM	STROKES	2T	4T
PAF25-05130000	826398T3	25-60 HP		✓



REF	OEM	STROKES	2T	4T
REC899106T01	899106T01 892874T01 808505T 827682T	30, 40 HP EFI (3 cyl) 40, 50, 60 HP EFI (4 cyl)	✓	



REF	OEM	STROKES	2T	4T
REC68V-24410-00	880890T1 880890A02 8M0091468	75 HP (0T409000+) 75 Bodensee (0T40900+) 90 HP (0T409000+) 115 EFI (0T178500 - 1B366822)	✓	




REF	OEM		2T STROKES	4T STROKES
REC14360T77	14360T77		200, 225 DFI, DTS (0T800999 - 1B417701)	✓

new



GUÍA BOMBA DE COMBUSTIBLE MECÁNICA

GUIDE, FUEL PUMP MECHANICAL

		CYL	
10 EFI			
15 EFI, 15EFI SEAPRO	0R832820 +	2	
20EFI			
25 EFI	OR106966 +	3	
30 EFI	OP153500 - OP400999	3	REC899106T01
30 EFI	OR106999 +	3	
30 EFI	OT409000 - 1B226999	3	REC899106T01
30 EFI	1C109093 - 1C456299	3	REC899106T01
30 EFI	1C456300 +	3	REC899106T01
40 EFI	OP153500 - OP400999	BEL 3	REC899106T01
40 EFI	OP401000 - OP515896	BEL 3	REC899106T01
40 EFI	OP409000 - 1B226999	USA 3	REC899106T01
40 EFI	1B227000 - 1B355027	USA 3	REC899106T01
40 EFI	1C000001 - 1C043416	3	REC899106T01
40 EFI	1C043417 - 1C456299	3	REC899106T01
40 EFI	1C456300 +	3	REC899106T01
40 EFI	OP153500 - OP400999	BEL 4	REC899106T01
40 EFI	OP401000 - OP515896	BEL 4	REC899106T01
40EFI	OP515897 - OP580772	BEL 4	REC899106T01
40 EFI	OT409000 - 1B355222	USA 4	REC899106T01
40 EFI	1C000001 - 1C050251	USA 4	REC899106T01
40 EFI	1C050252 - 1C453839	USA 4	REC899106T01

GUIDA POMPA BENZINA MECCANICA

GUIDE POMPE À ESSENCE MECANIQUE

		CYL	
40 EFI & SEAPRO	1C453840 +	USA 4	REC899106T01
50 EFI	OP153500 - OP400999	BEL 4	REC899106T01
50 EFI	OP401000 - OP515896	BEL 4	REC899106T01
50 EFI	OP515897 - OP580772	BEL 4	REC899106T01
50 EFI	OT409000 - 1B355222	USA 4	REC899106T01
50 EFI	1C000001 - 1C050251	USA 4	REC899106T01
50 EFI	1C050252 - 1C453839	USA 4	REC899106T01
50 EFI	1C453840 +	USA 4	REC899106T01
60 EFI	OP153500 - OP400999	BEL 4	REC899106T01
60 EFI	OP401000 - OP515896	BEL 4	REC899106T01
60 EFI	OP515897 - OP580772	BEL 4	REC899106T01
60 EFI	OT409000 - 1B355222	USA 4	REC899106T01
60 EFI	1C000001 - 1C050251	USA 4	REC899106T01
60 EFI	1C050252 - 1C453839	USA 4	REC899106T01
60 EFI & SEAPRO	1C453840 +	USA 4	REC899106T01
75 EFI	1B172291 - 1B366822	USA 4	REC68V-24410-00
80 EFI	1B227000 - 1B366822	USA 4	REC68V-24410-00
90 EFI	1B172291 - 1B366822	USA 4	REC68V-24410-00
100 EFI	1B227000 - 1B366822	USA 4	REC68V-24410-00
115 EFI	OT178500 - OT800999	USA 4	REC68V-24410-00
115 EFI	OT801000 - 1B226999	USA 4	REC68V-24410-00
115 EFI	1B227000 - 1B366822	USA 4	REC68V-24410-00

BOMBA DE COMBUSTIBLE ELECTRICA

FUEL PUMP ELECTRIC

REF	OEM		2T STROKES	4T STROKES
REC898101T67	898101T67		25, 30 HP EFI 3 CYL	✓








REF	OEM		2T STROKES	4T STROKES
REC883202T02	883202T02 883202A02		30, 40, 50, 60 HP EFI 3 & 4 CYL.	✓



POMPA BENZINA ELETTRICA



POMPE À ESSENCE ELECTRIQUE


REF	OEM		2T STROKES	4T STROKES
REC880596T55	880596T55		75, 80, 90, 100, 115 EFI	✓
REC880596T58	880596T58		135 - 300 HP VERADO	✓

REF	OEM		2T STROKES	4T STROKES
REC63P-13907-03	880889T 80889T01		115 EFI	✓



REF	OEM		2T STROKES	4T STROKES
REC880596T55	881705T1		200, 225, 250 HP 3.0L EFI V-150, V-175, V-200, 2,52 EFI	✓



REF	OEM		2T STROKES	4T STROKES
REC67H-13907-00	809088T1 809088T01 808505T01		V150, V175, V200 HP (EFI) 200, 225 HP EFI ProMax	✓



REF	OEM		2T STROKES	4T STROKES
REC888733T02	888733T02 888733T1		200, 225 DFI 3L	✓




REF	OEM		2T STROKES	4T STROKES
REC14307T01	14307T01 14307A1		V150, V175, V200 (MAG/EFI) 150, 200 EFI PRO/MAX SUPER MA	✓






REF	OEM		2T STROKES	4T STROKES
REC69J-13907-03	888246T 888246T01		225 EFI	✓
REC69J-24410-02	888251T 888251T02			






REF	OEM	2T STROKES	4T STROKES
REC861155A3	861155A3 861155A2	✓	

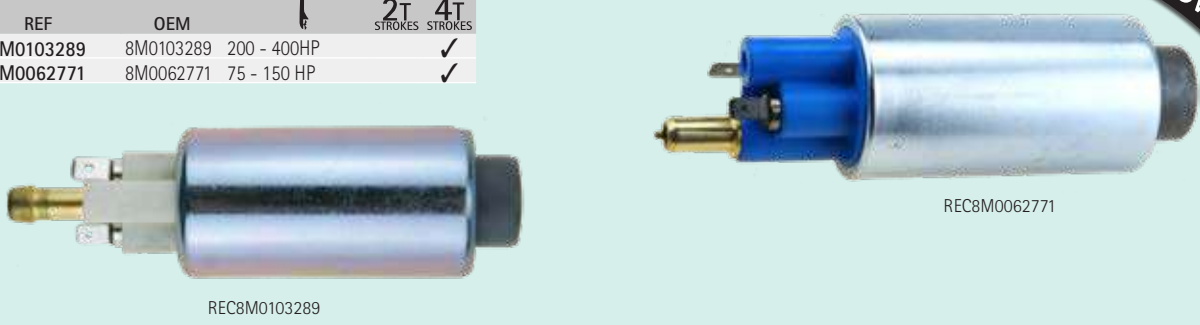


REF	OEM		2T STROKES	4T STROKES
REC8M0047624	8M0047324 8558432		V135, V150, V175 DFI (2.5L) 200, 250 DFI	✓



BOMBA DE COMBUSTIBLE BAJA PRESION **FUEL PUMP LOW PRESSURE** **POMPA BENZINA BASSA PRESIONE** **POMPE À ESSENCE BASSE PRESSION**

REF	OEM		2T STROKES	4T STROKES
REC8M0103289	8M0103289		200 - 400HP	✓
REC8M0062771	8M0062771		75 - 150 HP	✓




new

**BOMBA DE COMBUSTIBLE
ALTA PRESION**

**FUEL PUMP
HIGH PRESSURE**

**POMPA BENZINA
ALTA PRESIONE**

**POMPE À ESSENCE
HAUTE PRESSION**

REF	OEM		2T STROKES	4T STROKES
REC8M0134464	8M0134464		9.9, 10, 15, 20 HP EFI	
REC8M0062770	8M0062770		65 - 150 HP	✓
REC880596T60	880596T60		135, 150, 175, 200 HP VERADO (4 cyl)	✓
REC8M0103288	8M0103288		150 - 400 HP	✓




new

GUÍA VST

VST GUIDE

GUIDA VST

GUIDE VST

	SERIE	CYL	BOMBA ELECT. ALTA ELECT. FUEL PUMP HIGH POMPA ELECT. ALTA POMPE ELECT. HAUTE	BOMBA ELECT. BAJA ELECT. FUEL PUMP LOW POMPA ELECT. BASSA POMPE ELECT. BASSE	JUNTA VST VST GASKET GUARNIZIONE VST JOINT VST	FILTRO VST VST FILTRE FILTRO VST FILTRE VST	FLOTADOR VST VST FLOAT GALLEGGIANTE VST FLOTEUR VST
10 EFI, 15 EFI, 15EFI SEAPRO, 20EFI	OR832820 +	2	REC8M0134464		REC27-8M0135597		
25 EFI	OR106966 +	3	REC898101T67				
30 EFI	OP153500 - OP400999	3	REC883202T02 REC898101T67		REC27-883213 PAF40-05100704EI		
30 EFI	OR106999 +	3	REC898101T67				
30 EFI	OT409000 - 1B226999	3	REC883202T02 REC898101T67		REC27-883213 PAF40-05100704EI	PAF40-05100502EI	
30 EFI	1C109093 - 1C456299	3	REC898101T67		PAF40-05100704EI	PAF40-05100502EI	
30 EFI	1C456300 +	3	REC898101T67		PAF40-05100704EI	PAF40-05100502EI	
40 EFI	OP153500 - OP400999	BEL 3	REC883202T02 REC898101T67		REC27-883213 PAF40-05100704EI	PAF40-05100502EI	
40 EFI	OP401000 - OP515896	BEL 3	REC898101T67		PAF40-05100704EI	PAF40-05100502EI	
40 EFI	OP409000 - 1B226999	USA 3	REC883202T02 REC898101T67		REC27-883213 PAF40-05100704EI	PAF40-05100502EI	
40 EFI	1B227000 - 1B355027	USA 3	REC898101T67		PAF40-05100704EI	PAF40-05100502EI	
40 EFI	1C000001 - 1C043416	3	REC898101T67		PAF40-05100704EI	PAF40-05100502EI	
40 EFI	1C043417 - 1C456299	3	REC898101T67		PAF40-05100704EI	PAF40-05100502EI	
40 EFI	1C456300 +	3	REC898101T67		PAF40-05100704EI	PAF40-05100502EI	
40 EFI	OP153500 - OP400999	BEL 4	REC883202T02 REC898101T67		REC27-883213 PAF40-05100704EI	PAF40-05100502EI	
40 EFI	OP401000 - OP515896	BEL 4	REC898101T67		PAF40-05100704EI	PAF40-05100502EI	
40EFI	OP515897 - OP580772	BEL 4	REC898101T67		PAF40-05100704EI	PAF40-05100502EI	
40 EFI	OT409000 - 1B355222	USA 4	REC883202T02 REC898101T67		REC27-883213 PAF40-05100704EI	PAF40-05100502EI	
40 EFI	1C000001 - 1C050251	USA 4	REC898101T67		PAF40-05100704EI	PAF40-05100502EI	
40 EFI	1C050252 - 1C453839	USA 4	REC898101T67		PAF40-05100704EI	PAF40-05100502EI	
40 EFI & SEAPRO	1C453840 +	USA 4	REC898101T67		PAF40-05100704EI	PAF40-05100502EI	
50 EFI	OP153500 - OP400999	BEL 4	REC883202T02 REC898101T67		REC27-883213 PAF40-05100704EI	PAF40-05100502EI	
50 EFI	OP401000 - OP515896	BEL 4	REC898101T67		PAF40-05100704EI	PAF40-05100502EI	
50 EFI	OP515897 - OP580772	BEL 4	REC898101T67		PAF40-05100704EI	PAF40-05100502EI	
50 EFI	OT409000 - 1B355222	USA 4	REC883202T02 REC898101T67		REC27-883213 PAF40-05100704EI	PAF40-05100502EI	
50 EFI	1C000001 - 1C050251	USA 4	REC898101T67		PAF40-05100704EI	PAF40-05100502EI	
50 EFI	1C050252 - 1C453839	USA 4	REC898101T67		PAF40-05100704EI	PAF40-05100502EI	
50 EFI	1C453840 +	USA 4	REC898101T67		PAF40-05100704EI	PAF40-05100502EI	
60 EFI	OP153500 - OP400999	BEL 4	REC883202T02 REC898101T67		REC27-883213 PAF40-05100704EI	PAF40-05100502EI	
60 EFI	OP401000 - OP515896	BEL 4	REC898101T67		PAF40-05100704EI	PAF40-05100502EI	
60 EFI	OP515897 - OP580772	BEL 4	REC898101T67		PAF40-05100704EI	PAF40-05100502EI	
60 EFI	OT409000 - 1B355222	USA 4	REC883202T02 REC898101T67		REC27-883213 PAF40-05100704EI	PAF40-05100502EI	
60 EFI	1C000001 - 1C050251	USA 4	REC898101T67		PAF40-05100704EI	PAF40-05100502EI	
60 EFI	1C050252 - 1C453839	USA 4	REC898101T67		PAF40-05100704EI	PAF40-05100502EI	
60 EFI & SEAPRO	1C453840 +	USA 4	REC898101T67		PAF40-05100704EI	PAF40-05100502EI	
75 EFI	1B172291 - 1B366822	USA 4	REC866169T01		REC68V-14984-00	REC6C5-13915-00	
75 EFI	1B366823 - 2B094995	USA 4	REC880596T55	REC880596T58	REC26-880596502		REC8M6000359


MERCURY

RECAMBIOS
MARINOS


	SERIE	CYL	BOMBA ELECT. ALTA ELECT. FUEL PUMP HIGH POMPA ELECT. ALTA POMPE ELECT. HAUTE	BOMBA ELECT. BAJA ELECT. FUEL PUMP LOW POMPA ELECT. BASSA POMPE ELECT. BASSE	JUNTA VST VST GASKET GUARNIZIONE VST JOINT VST	FILTRO VST VST FILTRE FILTRO VST FILTRE VST	FLOTADOR VST VST FLOAT GALLEGGIANTE VST FLOTEUR VST
75 EFI & SEAPRO	2B095049 +	4	REC8M0062770	REC8M0062771			
80 EFI	0P459572 - 2B094995	BEL 4	REC880596T55	REC880596T58	REC26-880596502		REC8M6000359
80 EFI	1B227000 - 1B366822	USA 4	REC866169T01		REC68V-14984-00	REC6C5-13915-00	
80 EFI	1B366823 - 2B094995	USA 4	REC880596T55	REC880596T58	REC26-880596502		REC8M6000359
80 EFI	2B095049 +	4	REC8M0062770	REC8M0062771			
90 EFI	1B172291 - 1B366822	USA 4	REC866169T01		REC68V-14984-00	REC6C5-13915-00	
90 EFI	1B366823 - 2B094995	USA 4	REC880596T55	REC880596T58	REC26-880596502		REC8M6000359
90 EFI & SEAPRO	2B095049 +	USA 4	REC8M0062770	REC8M0062771			
100 EFI	0P459572 - 2B094995	BEL 4	REC880596T55	REC880596T58	REC26-880596502		REC8M6000359
100 EFI	1B227000 - 1B366822	USA 4	REC866169T01		REC68V-14984-00	REC6C5-13915-00	
100 EFI	1B366823 - 2B094995	USA 4	REC880596T55	REC880596T58	REC26-880596502		REC8M6000359
100 EFI	2B095049 +	USA 4	REC8M0062770	REC8M0062771			
115 EFI	0T178500 - 0T800999	USA 4	REC15200-96J00		REC68V-14984-00	REC68V-13915-00	
115 EFI	0T801000 - 1B226999	USA 4	REC15200-96J00		REC68V-14984-00	REC68V-13915-00	
115 EFI	1B227000 - 1B366822	USA 4	REC15200-96J00		REC68V-14984-00	REC68V-13915-00	
115 EFI	1B366823 - 2B094995	USA 4	REC880596T55	REC880596T58	REC26-880596502		REC8M6000359
115 EFI & SEAPRO (XS)	2B095049 +	4	REC8M0062770	REC8M0062771			
135	2B131942 +	4	REC8M0062770	REC8M0062771			
135 VERADO	0P419487 - 0P464487	BEL 4	REC880596T55	REC880596T58	REC26-880596502		REC8M6000359
135 VERADO	0P464488 - 0P514868	BEL 4	REC880596T55	REC880596T58	REC26-880596502		REC8M6000359
135 VERADO	0P514869 - 0P593020	BEL 4	REC880596T60	REC880596T58	REC26-880596502		REC8M6000359
135 VERADO	1B227000 - 1B381711	USA 4	REC880596T55	REC880596T58	REC26-880596502		REC8M6000359
135 VERADO	1B381712 - 1B517158	USA 4	REC880596T55	REC880596T58	REC26-880596502		REC8M6000359
135 VERADO	1B517159 - 2B576734	USA 4	REC880596T60	REC880596T58	REC26-880596502		REC8M6000359
150	1B905505 +	4	REC8M0062770	REC8M0062771			
150 SEAPRO	2B139139 +	4	REC8M0062770	REC8M0062771			
150 Pro XS	2B550139 +	4	REC8M0103288	REC8M0103289			
150 VERADO	0P419487 - 0P464487	BEL 4	REC880596T55	REC880596T58	REC26-880596502		REC8M6000359
150 VERADO	0P464488 - 0P514868	BEL 4	REC880596T55	REC880596T58	REC26-880596502		REC8M6000359
150 VERADO	0P514869 - 0P593020	BEL 4	REC880596T60	REC880596T58	REC26-880596502		REC8M6000359
150 VERADO	1B227000 - 1B381711	USA 4	REC880596T55	REC880596T58	REC26-880596502		REC8M6000359
150 VERADO	1B381712 - 1B517158	USA 4	REC880596T55	REC880596T58	REC26-880596502		REC8M6000359
150 VERADO	1B517159 - 2B576734	USA 4	REC880596T60	REC880596T58	REC26-880596502		REC8M6000359
175 VERADO	0P419487 - 0P464487	BEL 4	REC880596T55	REC880596T58	REC26-880596502		REC8M6000359
175 VERADO	0P464488 - 0P514868	BEL 4	REC880596T55	REC880596T58	REC26-880596502		REC8M6000359
175 VERADO	0P514869 - 0P593020	BEL 4	REC880596T60	REC880596T58	REC26-880596502		REC8M6000359
175 VERADO	1B227000 - 1B381711	USA 4	REC880596T55	REC880596T58	REC26-880596502		REC8M6000359
175 VERADO	1B381712 - 1B517158	USA 4	REC880596T55	REC880596T58	REC26-880596502		REC8M6000359
175 VERADO	1B517159 - 2B576734	USA 4	REC880596T60	REC880596T58	REC26-880596502		REC8M6000359
175 (3.4L) V6 & Pro XS	2B529482 +	USA 6	REC8M0103288	REC8M0103289			
200 VERADO	0P514869 - 0P593020	BEL 4	REC880596T60	REC880596T58	REC26-880596502		REC8M6000359
200 VERADO	1B517159 - 2B576734	USA 4	REC880596T60	REC880596T58	REC26-880596502		REC8M6000359
200 VERADO	0P409357 - 0P464487	BEL 6	REC880596T55	REC880596T58	REC26-880596502		REC8M6000359
200 VERADO	0P464488 - 0P520552	BEL 6	REC880596T55	REC880596T58	REC26-880596502		REC8M6000359
200 VERADO	0P520553 - 2B144122	BEL 6	REC880596T55	REC880596T58	REC26-880596502		REC8M6000359
200 VERADO	0T980000 - 1B226999	USA 6	REC880596T55	REC880596T58	REC26-880596502		REC8M6000359
200 VERADO	1B227000 - 1B381711	USA 6	REC880596T55	REC880596T58	REC26-880596502		REC8M6000359
200 VERADO	1B381712 - 1B517433	USA 6	REC880596T55	REC880596T58	REC26-880596502		REC8M6000359
200 VERADO	1B517434 - 2B144122	USA 6	REC880596T55	REC880596T58	REC26-880596502		REC8M6000359
200 VERADO	2B144123 - 2B578935	USA 6	REC8M0103288	REC8M0103289			
200 Pro VERADO	2B034840 - 2B144122	6	REC880596T55	REC880596T58	REC26-880596502		REC8M6000359
200 Pro VERADO	2B144123 - 2B577715	6	REC8M0103288	REC8M0103289			
200 (3.4L) V6 & SEAPRO	2B529482 +	USA 6	REC8M0103288	REC8M0103289			
200 (4.6L) V8 PRO XS	2B529482 +	USA 8	REC8M0103288	REC8M0103289			
225 EFI	0T653945 +	USA 6	REC69J-24410-02	REC69J-13907-03	REC68V-14984-00		
225 VERADO	0P409357 - 0P464487	BEL 6	REC880596T55	REC880596T58	REC26-880596502		REC8M6000359
225 VERADO	0P464488 - 0P520552	BEL 6	REC880596T55	REC880596T58	REC26-880596502		REC8M6000359
225 VERADO	0P520553 - 2B144122	BEL 6	REC880596T55	REC880596T58	REC26-880596502		REC8M6000359
225 VERADO	0T980000 - 1B226999	USA 6	REC880596T55	REC880596T58	REC26-880596502		REC8M6000359
225 VERADO	1B227000 - 1B381711	USA 6	REC880596T55	REC880596T58	REC26-880596502		REC8M6000359
225 VERADO	1B381712 - 1B517433	USA 6	REC880596T55	REC880596T58	REC26-880596502		REC8M6000359
225 VERADO	1B517434 - 2B144122	USA 6	REC880596T55	REC880596T58	REC26-880596502		REC8M6000359
225 VERADO	2B144123 - 2B578935	USA 6	REC8M0103288	REC8M0103289			
225 (3.4L) V6 & SEAPRO	2B529482 +	USA 6	REC8M0103288	REC8M0103289			
225 (4.6L) V8 PRO XS	2B529482 +	USA 8	REC8M0103288	REC8M0103289			
250 VERADO	0P409357 - 0P464487	BEL 6	REC880596T55	REC880596T58	REC26-880596502		REC8M6000359
250 VERADO	0P464488 - 0P520552	BEL 6	REC880596T55	REC880596T58	REC26-880596502		REC8M6000359
250 VERADO	0P520553 - 2B144122	BEL 6	REC880596T55	REC880596T58	REC26-880596502		REC8M6000359
250 VERADO	0T980000 - 1B226999	USA 6	REC880596T55	REC880596T58	REC26-880596502		REC8M6000359
250 VERADO	1B227000 - 1B381711	USA 6	REC880596T55	REC880596T58	REC26-880596502		REC8M6000359
250 VERADO	1B381712 - 1B517433	USA 6	REC880596T55	REC880596T58	REC26-880596502		REC8M6000359
250 VERADO	1B517434 - 2B144122	USA 6	REC880596T55	REC880596T58	REC26-880596502		REC8M6000359
250 VERADO	2B144123 - 2B578935	USA 6	REC8M0103288	REC8M0103289			
250 PRO VERADO	1B830170 - 2B144122	6	REC880596T55	REC880596T58	REC26-880596502		REC8M6000359
250 PRO VERADO	2B144123 - 2B577715	USA 6	REC8M0103288	REC8M0103289			
250 (4.6L) V8, VERADO, SEAPRO & PRO XS	2B529482 +	USA 8	REC8M0103288	REC8M0103289			
250 (4.6L) V8 RACING	1E080500+	USA 8	REC8M0103288	REC8M0103289			
275 VERADO	0P409357 - 0P464487	BEL 6	REC880596T55	REC880596T58	REC26-880596502		REC8M6000359
275 VERADO	0P464488 - 0P520552	BEL 6	REC880596T55	REC880596T58	REC26-880596502		REC8M6000359
275 VERADO	0P520553 - 2B144122	BEL 6	REC880596T55	REC880596T58	REC26-880596502		REC8M6000359
275 VERADO	0T980000 - 1B226999	USA 6	REC880596T55	REC880596T58	REC26-880596502		REC8M6000359
275 VERADO	1B227000 - 1B381711	USA 6	REC880596T55	REC880596T58	REC26-880596502		REC8M6000359



	SERIE	CYL	BOMBA ELECT. ALTA ELECT. FUEL PUMP HIGH POMPA ELECT. ALTA POMPE ELECT. HAUTE	BOMBA ELECT. BAJA ELECT. FUEL PUMP LOW POMPA ELECT. BASSA POMPE ELECT. BASSE	JUNTA VST VST GASKET GUARNIZIONE VST JOINT VST	FILTRO VST VST FILTRE FILTRO VST FILTRE VST	FLOTADOR VST VST FLOAT GALLEGGIANTE VST FLOTEUR VST
275 VERADO	1B381712 - 1B517433	USA 6	REC880596T55	REC880596T58	REC26-880596502		REC8M6000359
275 VERADO	1B517434 - 2B144122	USA 6	REC880596T55	REC880596T58	REC26-880596502		REC8M6000359
275 VERADO	2B144123 - 2B578935	USA 6	REC8M0103288	REC8M0103289			
300 VERADO	0P520553 - 2B144122	BEL 6	REC880596T55	REC880596T58	REC26-880596502		REC8M6000359
300 VERADO	1B517434 - 2B144122	USA 6	REC880596T55	REC880596T58	REC26-880596502		REC8M6000359
300 VERADO	2B144123 - 2B578935	USA 6	REC8M0103288	REC8M0103289			
300 PRO VERADO	1B830170 - 2B144122	USA 6	REC880596T55	REC880596T58	REC26-880596502		REC8M6000359
300 PRO VERADO	2B144123 - 2B577715	USA 6	REC8M0103288	REC8M0103289			
300 (4.6L) V8, VERADO, SEAPRO & PRO XS	2B529482 +	USA 8	REC8M0103288	REC8M0103289			
300 (4.6L) V8 RACING	1E080500+	USA 8	REC8M0103288	REC8M0103289			
350SCi VERADO	1B716557 - 2B143542	USA 6	REC880596T55	REC880596T58	REC26-880596502		REC8M6000359
350 2.6L L6 VERADO	2B141617 +	USA 6	REC8M0103288	REC8M0103289			
350 2.6L L6 PRO VERADO	2B141124 +	USA 6	REC8M0103288	REC8M0103289			
400 2.6L L6 VERADO	2B618256 +	USA 6	REC8M0103288	REC8M0103289			
400R 2.6L L6 RACING	2B141124 +	USA 6	REC8M0103288	REC8M0103289			

MEMBRANAS Y JUNTAS DIAPHRAGMS & GASKETS MEMBRANA E GUARNIZIONI MEMBRANES ET JOINTS

REF	OEM	2T STROKES	4T STROKES	
REC6E0-24471-00	91748M	2B 4A 5C	✓	

REF	OEM	2T STROKES	4T STROKES	
REC6G1-24431-01	27-11500M	3A/MSH 6C/CEM/D/DEM/TRV/MSH/CMH 8C/CEM/TRV/MSH/CMH/MH 9.9F 13.5AWH 15F	✓	

REF	OEM	2T STROKES	4T STROKES	
REC6E0-24411-00	91753M	4A 5C	✓	

REF	OEM	2T STROKES	4T STROKES	
REC6E0-24434-00	27-91754M	4AC/MSH/AS/A	✓	
REC6E0-24435-00	27-91746M	5C/CS/CMH	✓	

REC6E0-24435-00 REC6E0-24434-00

REF	OEM	2T STROKES	4T STROKES	
REC6G1-24411-00	11499M	6C/D	✓	
REC6G1-24471-00	11497M	8C	✓	


REC6G1-24471-00 REC6G1-24411-00



REF	OEM	2T STROKES	4T STROKES	
REC648-24411-00	80606M	8K 20C, 28 48, 55 W15, A, K W25, C W30, 30A W40, K40, 40A/B/C K25 W48, W55 60 (2cyl)	✓	

REF	OEM	2T STROKES	4T STROKES	
REC677-24411-02	84262M	8B/W8 (M)(ML)(SVL)	✓	
REC677-24471-01	84265M	15C/W15 K40HP	✓	

REC677-24411-01 REC677-24411-02

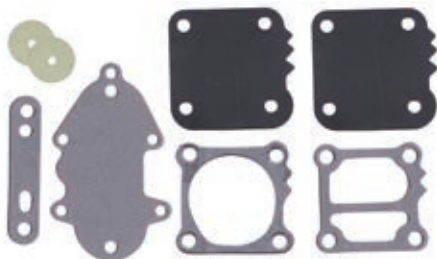
REF	OEM	2T STROKES	4T STROKES	
REC663-24411-00	84141M	8K 15K / W15 20C W25, 25K/C, K25/28 W30 W40 30A 40A/B/C 48 55, W-55 60 (2 cyl) K40	✓	

REF	OEM	2T STROKES	4T STROKES	
REC677-24435-01	27-84264M	9.9D 15D 20DM/DEO 25NE/NEMO	✓	

REF	OEM		2T STROKES	4T STROKES		
REC648-24434-01	20C/CM 25Q/D/B/BMH 25V/VE E30HMH 30G/H 40V/NM/VE/YE	50G/GEO/GETO/H/D 55B/BE 60FEO/FETO/TLR E60H 70B/BETO 75CETO/AE		✓		
REC648-24435-02	27-80613M 27-80614M	E75B 80A/AE 85A/AE 90A/AEO/AET				

KITS BOMBA COMBUSTIBLE **KIT, FUEL PUMP** **KIT POMPA BENZINA** **KIT POMPE ESSENCE**


REF	OEM		2T STROKES	4T STROKES
REC21-42990A10	21-42990A10	30, 45, 65, 105, 140 Jet 100, 115, 125 (4 cyl) 200 DFI 225 (3.0L) Carb / EFI / SeaPro 30, 40 (2 cyl) 40 (3 cyl) 40 (4 cyl) 50, 55, 60, 75, 90 (3 cyl) V-135 - V-200 / XR-6		✓



REF	OEM		2T STROKES	4T STROKES
REC55278A5	55278A5	75 (4 cyl)	✓	




REF	OEM		2T STROKES	4T STROKES
REC21-30430A13	21-30430A13	75 (4 cyl)	✓	




REF	OEM		2T STROKES	4T STROKES
REC21-13424A1	21-13424A1	35, 50, 60 (3 cyl)	✓	




REF	OEM		2T STROKES	4T STROKES
REC21-30430A14	21-30430A14	90,115 (6 cyl)	✓	



REF	OEM		2T STROKES	4T STROKES
REC55278A4	55278A4	35 - 70 HP	✓	



REF	OEM		2T STROKES	4T STROKES
REC89031A3	89031A3	90, 115, 140 (6 cyl)	✓	



REF	OEM		2T STROKES	4T STROKES
REC89031A1	89031A1	40 - 90 HP	✓	



REF	OEM	STROKES	2T	4T
REC42909A3	42909A3	100, 115 (4 cyl)	✓	

REF	OEM	STROKES	2T	4T
REC155278A1	155278A1	1150, 1350, 1400, 1500 400 (2 cyl) 402, 40 (2 cyl) 650 (3 cyl)		✓

REF	OEM	STROKES	2T	4T
REC21-30430A7	21-30430A7	115 (6 cyl) 1150, 115 140, 1400 1500 (xs) 900, 90		✓

REF	OEM	STROKES	2T	4T
REC56678A1	56678A1	650 (4 cyl)	✓	

REF	OEM	STROKES	2T	4T
REC89031A2	89031A2	V-135, V-150 (Work / XR-2) V-150 (Mag-Marathon) V-1500 V-200, V-175 300 (3.4L)		✓

REF	OEM	STROKES	2T	4T
REC21-30430A4	21-30430A4	650 (4 cyl)	✓	

REF	OEM	STROKES	2T	4T
REC89031A4	89031A4	V-200	✓	

REF	OEM	STROKES	2T	4T
REC21-30430A3	21-30430A3	650 (4 cyl) 1000 BP / SS 1100 1250 / BP 200, 350, 500 650, 800, 80 (4 cyl) 950 (6 cyl)		✓

REF	OEM	STROKES	2T	4T
REC90363A1	90363A1	V-200, V-225	✓	

REF	OEM	STROKES	2T	4T
REC23014A1	23014A1	1000 BP / SS 1100 1250 / BP 200, 350, 500 650, 800, 80 (4 cyl) 950 (6 cyl)		✓

REF	OEM	2T STROKES	4T STROKES
REC21-30430A1	1000 BP / SS		
	1100		
	1250 / BP		
	200, 350, 500	✓	
	650 (4 cyl)		
	800, 80 (4 cyl)		
	950 (6 cyl)		



GUÍA BOMBA COMBUSTIBLE

GUIDE, FUEL PUMP

GUIDE POMPA BENZINA

GUIDE POMPE ESSENCE

	SERIE	MEMBRANA DIAPHRAGM MEMBRANA	KIT JUNTAS GASKET KIT KIT GUARNIZIONE KIT JOINTS	KIT AGUJAS INLET NEEDLE KIT AGHI KIT POINTEAU	BOYA FLOAT GALLEGGIANTE FLOTTEUR	KIT VÁLVULA VALVE KIT KIT VALVOLA KIT SOUPAPE
3.9 (39)	1964-68	1655013-2498135 (KB-7A, KB-7B)		REC1395-2015	REC1399-1473	REC1395-8673
4 (40) (1-cyl.)	1969-71	2498136-4107219 (KB-10A)		REC1395-2015	REC1399-1473	REC1395-8673
4 (1-cyl.)		(WMD-1)		REC1395-2015		REC1395-8673
4 (1-cyl.)		A855097+				REC16253
4.5 (1-cyl.)		(KB-10A)		REC1395-2015		REC1399-1473
4.5 (1-cyl.)		(WMD-1)		REC1395-2015	REC1395-8318	REC1395-8673
5 (1-cyl.)		A855097+				REC16253
6		KB-6A, 6B		REC1395-2015	REC1399-1473	REC1395-8673
6		(AJ-57A)			REC1399-1473	REC1395-8673
6		(WMC-5, 5A, 5B, 7, 7A, 17, 17B, 17C, 18, 18A, 18B, 19, 19A, 20, 20A, 20B)	REC1395-97611	REC1395-97611		
6		(WMC-23, 28, 34, 39, 41, 41A, 47, 47A, 49, 49A, 57)	REC1395-97611	REC1395-97611		
6	1986-98	OA197112+ 9461526	REC1395-97611			
7.5 (7.5, 75)		(BB-2A, 2B, 2C, 4A, 5A, 5B, 5C, 5D, 7A, 7C)	REC1399-5137	REC1395-5198	REC1395-9022	
7.5 (7.5, 75)		(KB-9A, 12A)		REC1395-2015	REC1399-1473	REC1395-8673
7.5		(WMB-2, 4)			REC1395-9022	
8		(WMC-5, 5A, 5B, 7, 7A, 17, 17B, 17C, 18, 18A, 18B, 19, 19A, 20, 20A, 20B)	REC1395-97611	REC1395-97611		
8		(WMC-23, 28, 34, 39, 41, 41A, 47, 47A, 49, 49A, 57)	REC1395-97611	REC1395-97611		
8	1986-98	OA197112+ 9461526	REC1395-97611			
9.8 (9.8, 110)		(BB-2A, 2B, 2C, 4A, 5A, 5B, 5C, 5D, 7A, 7C)	REC1399-5137	REC1395-5198	REC1395-9022	
9.8 (9.8, 110)		(KB-9A, 12A)		REC1395-2015	REC1399-1473	REC1395-8673
9.8		(WMB-2, 4)			REC1395-9022	
9.9		(WMC-5, 5A, 5B, 7, 7A, 17, 17B, 17C, 18, 18A, 18B, 19, 19A, 20, 20A, 20B)	REC1395-97611	REC1395-97611		
9.9		(WMC-23, 28, 34, 39, 41, 41A, 47, 47A, 49, 49A, 57)	REC1395-97611	REC1395-97611		
9.9	1986-98	OA197112+ 9461526	REC1395-97611			
9.9 4T	1999	G60300-T97999		REC66M-W0093-01		REC809569
10 (100)		(AJ-56AB)			REC1399-1473	REC1395-8673
10 (100)		(KB-1A, 4A)		REC1395-2015	REC1399-1473	REC1395-8673
10 (Sae Pro, Marathon)		(WMC-33, 33A, 40, 42, 50, 50A, 50B, 55, 55A)	REC1395-97611	REC1395-97611		
10 (XR10, Magnum 10)		(WMC-23, 48, 48A, 49, 49A)	REC1395-97611	REC1395-97611		
15 (150)		(KB-1A, 4A)		REC1395-2015	REC1399-1473	REC1395-8673
15		(WMC-5, 5A, 5B, 7, 7A, 17, 17B, 17C, 18, 18A, 18B, 19, 19A, 20, 20A, 20B)	REC1395-97611	REC1395-97611		
15		WMC-23, 28, 34, 39, 41, 41A, 47, 47A, 49, 49A, 57	REC1395-97611	REC1395-97611		
15	1988-98	OB292414+ 9542620	REC1395-97611			
15 (Super 15, 15XD)		(WMC-13, 13A, 14, 14A, 15A, 16A, 24, 25, 26, 27, 29, 30, 31, 31A, 32, 32A, 35, 35A, 35B, 36, 37, 44, 45, 46, 46A, 52, 52A, 53, 53A, 54, 54A, 56, 56A)	REC1395-97611	REC1395-97611		
15 (Sea Pro, Marathon)		(WMC-33, 33A, 40, 42, 50, 50A, 50B, 55, 55A)	REC1395-97611	REC1395-97611		
15 4T	1998	G59000+		REC66M-W0093-01		REC809569
18		(WMC-1, 2, 3, 4, 9, 10, 11, 12)	REC1395-97611	REC1395-97611		
18		(WMC-13, 13A, 14, 14A, 15A, 16A, 24, 25, 26, 27, 29, 30, 31, 31A, 32, 32A, 35, 35A, 35B, 36, 37, 44, 45, 46, 46A, 52, 52A, 53, 53A, 54, 54A, 56, 56A)	REC1395-97611	REC1395-97611		
20 (200)		(KA-22A, 22B, 22C, 23A, 25A)		REC1395-2015	REC1399-1473	REC1395-8673
20 (200)	1966-67	1866496-2296266	REC23014A1			
20 (20, 200)		(BA-1A, 2A, 2C, 2D, 2E)	REC1399-5137	REC1395-5198		
20		(WMC-1, 2, 3, 4, 9, 10, 11, 12)	REC1395-97611	REC1395-97611		
20		(WMC-13, 13A, 14, 14A, 15A, 16A, 24, 25, 26, 27, 29, 30, 31, 31A, 32, 32A, 35, 35A, 35B, 36, 37, 44, 45, 46, 46A, 52, 52A, 53, 53A, 54, 54A, 56, 56A)	REC1395-97611	REC1395-97611		
20	1986-87	6443973 9415101 7209533	REC1395-97611			
20 Jet	1994-98	OG044027 + (WMC-45, 53A)	REC1395-97611	REC1395-97611		
25 (2-cyl.)		(WMC-1, 2, 3, 4, 9, 10, 11, 12)	REC1395-97611	REC1395-97611		

		SERIE	MEMBRANA DIAPHRAGM MEMBRANA MEMBRANE	KIT JUNTAS GASKET KIT KIT GUARNIZIONE KIT JOINTS	KIT AGUJAS INLET NEEDLE KIT AGHI KIT POINTEAU	BOYA FLOAT GALLEGGIANTE FLOTTEUR	KIT VÁLVULA VALVE KIT KIT VALVOLA KIT SOUPAPE
25 (2-cyl.)		(WMC-13, 13A, 14, 14A, 15A, 16A, 24, 25, 26, 27, 29, 30, 31, 31A, 32, 32A, 35, 35A, 35B, 36, 37, 44, 45, 46, 46A, 52, 52A, 53, 53A, 54, 54A, 56, 56A)	REC1395-97611	REC1395-97611			
25	1984-87	6443973	REC1395-97611				
25	1986-87	9415101 7209533	REC1395-97611				
30 (300) (4-cyl.)		(AJ-54A)			REC1399-1473	REC1395-8673	
30 (300) (4-cyl.)		(KB-2A)		REC1395-2015	REC1399-1473	REC1395-8673	
30 (2-cyl.) (644cc)	1994-98	OG053314+ (WME-36, 36A, 37, 39A, 42, 42A, 63, 64, 65, 66, 67)	REC21-42990A10	REC1395-8112231	REC1395-9595-1	REC1395-9594	
30 Jet (4-cyl.)		(WMA-10, 13)		REC1395-9651	REC1395-9595-1		
30 Jet (4-cyl.)		(WME-53, 68, 69)		REC1395-9651	REC1395-9595-1	REC1395-9594	
30 Jet	1994-97	OC159200+		REC21-42990A10			
30 Jet	1998	G590000+		REC21-42990A10			
35 (350)	1966-69	1960827-2874703	REC23014A1	REC21-30430A1			
35 (350) (4-cyl.)		(AJ-54A)			REC1399-1473	REC1395-8673	
35 (350) (4-cyl.)		(KB-2A)		REC1395-2015	REC1399-1473	REC1395-8673	
35 (2-cyl.)		(KC-4A, 8A, 9A, 9B, 9C, 13A)		REC1395-2015	REC1395-8318	REC1395-8673	
35	1984-86	6445653-OB110788 9384476 209608	REC155278A1				REC21-13424A1
35	1987-89	OB110789+ 9384476	REC21-42990A10				
GLM40 (400) (4-cyl.)		(KA-2A, 9A)		REC1395-2015	REC1399-1473	REC1395-8673	
40 (40, 400, 402) (2-cyl.)		(KD-5A)		REC1395-2015	REC1399-1473	REC1395-8673	
40 (40, 400, 402) (2-cyl.)	1970-79	(WMK-1, 8, 21, 24, 31, 33, 34, 38) 2874704-5556229 8002335-8064749 3339688-9251455 3340783-7144762	REC155278A1				
40 (2-cyl.) (644cc)		(WME-36, 36A, 37, 37A, 38, 39A, 42, 42A, 63, 64, 65, 66, 67)		REC1395-8112231	REC1395-9595-1	REC1395-9594	
40 (2-cyl.) (644cc)	1994-98	OG053314+	REC21-42990A10				
40 (3-cyl.)		(WME-53, 68, 69)		REC1395-8112231	REC1395-9595-1	REC1395-9594	
40 (3-cyl.)	1997-98	OG531301+ 9973100	REC21-42990A10				
40 (4-cyl.)		(WMA-4)	REC1395-9024	REC1395-9024	REC1395-9022		
40 (4-cyl.)		(WMA-7B)		REC1395-9651	REC1395-9595-1		
40 (4-cyl.)		(WMA-9, 10, 13)					
40 (4 T/Stroke)	1998	OG231123+			REC809570-1	REC809569	
45 (450) (4-cyl.)		KA-17A		REC1395-8112231	REC1399-1473	REC1395-8673	
45 (4-cyl.)		(WMA-4)	REC1395-9024	REC1395-9024	REC1395-9022		
45 (4-cyl.)		(WMA-7B)		REC1395-9651	REC1395-9595-1		
45 (4-cyl.)		(WMA-9, 10, 13)					
45 (4-cyl.)	1987-89	OB110789+ 9466692	REC21-42990A10				
45 (4 T/Stroke, Nodensee)	1996-98	OG231123+			REC809570-1	REC809569	
45 Jet (3-cyl.)		(WME-57, 78)		REC1395-8112231	REC1395-9595-1	REC1395-9594	
45 Jet	1994-95	6428681-OB122929	REC155278A1				
45 Jet	1994-95	OB122930+	REC21-42990A10				
50 (50, 500) (4-cyl.)	1967-75	2116318-4357639	REC23014A1				
50 (50, 500) (4-cyl.)	1971-75	2863739-8030089 9001581-9107213	REC23014A1				
50 (50, 500) (4-cyl.)	1967-75	2097445-7068997	REC23014A1				
50 (4-cyl.)		(KA-13A, 18A, 19A, 21A, 21B, 21C, 21D, 24A, 26A, 26B, 27A)		REC1395-2015	REC1399-1473	REC1395-8673	
50 (4-cyl.)		(BA-3A, 3B, 3C, 3D, 4A)	REC1399-5137	REC1395-5198	REC1395-9022		
50 (4-cyl.)		(WMA-1, 3)	REC1395-9024	REC1395-9024	REC1395-9022		
50 (4-cyl.)		(WMK-8)		REC1395-48401	REC1395-8318	REC1395-8673	
50 (3-cyl.)		(WM-13, 13A, 15, 15A, 16, 16A, 18)		REC1395-6200	REC19271-1		
50 (3-cyl.)		(WME-22, 22B, 23, 24, 26, 27, 28, 35, 43, 44, 45, 53, 68, 69)		REC1395-8112231	REC1395-9595-1	REC1395-9594	
50 (3-cyl.)	1986-87	6428681-OB122929 9385911-9469199 7208333-0A721307	REC155278A1				
50 (3-cyl.)	1988-90	OB122930+ 9469200 0A721308+	REC21-42990A10				
50 (3-cyl.)	1998	OG590000 + 9973100	REC21-42990A10				
50 (4 T/Stroke)	1995-98	OG231123+			REC809570-1	REC809569	
55		(WM-13, 13A, 15, 15A, 16, 16A, 18)		REC1395-6200	REC19271-1		
55		(WME-22, 22B, 23, 24, 26, 27, 28, 35, 43, 44, 45, 57, 58)		REC1395-8112231	REC1395-9595-1	REC1395-9594	
55 (3-cyl.)	1996-97	OD000750+ 9741042	REC21-42990A10				
60 (600) (6-cyl.)		(KB-3A)		REC1395-2015	REC1399-1473	REC1395-8673	
60 (3-cyl.)		(WM13- 13A, 15, 15A, 16, 16A, 18)		REC1395-6200	REC19271-1		
60 (3-cyl.)		(WME-22, 22B, 23, 24, 26, 27, 28, 35, 43, 44, 45, 57, 58)		REC1395-8112231	REC1395-9595-1	REC1395-9594	
60 (3-cyl.)	1984-87	6428681-OB122929 9385911-9469199 7208333-0A721307	REC155278A1				
60 (3-cyl.)	1988-90	OB122930+ 9469200 0A721308+	REC155278A1				
65 (650) (4-cyl.)		(KC-2A, 5A, 5B, 5C, 11A, 15A)		REC1395-2015	REC1399-1473	REC1395-8673	
65 (650) (4-cyl.)	1967-69	2119749-2803561	REC23014A1				REC21-30430A1
65 (650) (4-cyl.)	1970-71	2803562-3293183	REC56678A1				REC21-30430A4
65 (650) (3-cyl.)		(WMK-5, 12, 13, 20)		REC1395-6200	REC1395-8318	REC1395-8673	
65 (650) (3-cyl.)		(WM-2)					
65 (650) (3-cyl.)		(WM-4)					
65 (650) (3-cyl.)	1972-76	3293184-4571651	REC56678A1				REC21-30430A3
65 (650) (3-cyl.)	1973-83	8006640	REC56678A1				REC21-30430A3
65 (650) (3-cyl.)	1973-76	9020074-9135824 7013633-7087822	REC56678A1				REC21-30430A3

		SERIE	MEMBRANA DIAPHRAGM MEMBRANA MEMBRANE	KIT JUNTAS GASKET KIT KIT GUARNIZIONE KIT JOINTS	KIT AGUJAS INLET NEEDLE KIT AGHI KIT POINTEAU	BOYA FLOAT GALLEGGIANTE FLOTTEUR	KIT VÁLVULA VALVE KIT KIT VALVOLA KIT SOUPAPE
65 Jet (3-cyl.)		(WME-29, 30, 41, 46, 47, 48, 49, 59, 60, 61, 62, 75, 76, 77, 78, 82, 83, 84, 87, 88)		REC1395-8112231	REC1395-9595-1	REC1395-9594	
65 Jet	1994-98	283222	REC21-42990A10				
70 (700) (6-cyl.)		(KA-8A, 12A)		REC1395-2015	REC1399-1473	REC1395-8673	
70 (3-cyl.)		(WM-6, 8, 9, 11)		REC1395-6200	REC1395-8318		
70 (3-cyl.)		(WME-1, 1A, 1B, 4, 5, 6, 6A, 7, 7B, 8, 9, 10, 10A, 15, 15A, 17, 18, 19, 25)		REC1395-8112231	REC1395-9595-1	REC1395-9594	
70 (3-cyl.)	1977-83	4571652-6428680 8042350 9135825-9385910 7087823-7208332	REC55278A4				REC21-13424A1
70 (3-cyl.)	1987	0A996142+ 9483121	REC42909A3				
75 (4-cyl.)		(WM-14, 17)		REC1395-6200	REC19271-1		
75 (4-cyl.)			REC55278A5				REC21-30430A13
Bomba triangular Triangular pump Pompa triangolare Pompe triangulaire	1984-88	6432901 9393856 7208573	REC55278A5				REC21-30430A13
75 (4-cyl.) Bomba cuadrada Square pump Pompa quadrata Pompe carrée	1984-88	6432901 9393856 7208573	REC21-42990A10				REC21-30430A13
75 (3-cyl.)		(WME-1, 1A, 1B, 4, 5, 6, 6A, 7, 7B, 8, 9, 10, 10A, 15, 15A, 17, 18, 19, 25, 29, 30, 31, 41, 46, 47, 48, 49, 59, 60, 61, 62, 75, 76, 77, 78, 82, 83, 84, 87, 88)		REC1395-8112231	REC1395-9595-1	REC1395-9594	
75 (3-cyl.)	1990-98	OC222000+ 9589039	REC42909A3				
75 (3-cyl.)	1990-98	OC222000+ 9589039	REC21-42990A10				
75 4T	2000	G960500+		REC67F-W0093-00		REC6H4-14985-01	
80 (800) (6-cyl.)		KA-10A, 11A, 14A, 16A, KC-3A		REC1395-2015	REC1399-1473	REC1395-8673	
80 (800) (4-cyl.)	1969-72	2559001-2670574	REC23014A1				REC21-30430A1
80 (800) (4-cyl.)	1969-72	2783253-2856331	REC56678A1				REC21-30430A3
80 (80, 800) (4-cyl.)		(KD-4A)		REC1395-48401	REC1395-8318	REC1395-8673	
80 (80, 800) (4-cyl.)		(WM-5, 10, 12, 14, 17)		REC1395-6200	REC1395-8318		
80 (80, 800) (4-cyl.)	1978-83	4831999-6432900 8050200 9177626-9393855 7110998-7208572	REC55278A5				REC21-30430A13
80 (3-cyl.)		(WME-1, 1A, 1B, 4, 5, 6, 6A, 7, 7B, 8, 9, 10, 10A, 15, 15A, 17, 18, 19, 25)		REC1395-8112231	REC1395-9595-1	REC1395-9594	
80 (3-cyl.)	1987	0A996142+	REC42909A3				
80 (3-cyl.)	1987	9483121	REC42909A3				
80 Jet (4-cyl.)	1994-98	(WME-32, 32A, 50, 79)		REC1395-8112231	REC1395-9595-1	REC1395-9594	
80 Jet	1994-98	OD283222+	REC21-42990A10				
85 (850) (6-cyl.)		(KA-10A, 11A, 14A, 16A, KC-3A)		REC1395-2015	REC1399-1473	REC1395-8673	
85 (850) (4-cyl.)		(WM-3, 5)		REC1395-6200	REC1395-8318		
85 (850) (4-cyl.)		(WMK-4, 16, 17)		REC1395-48401	REC1395-8318	REC1395-8673	
85 (850) (4-cyl.)	1973-77	3493913-4831998 8005440-8050199 9011604-9177625 7010108-7110997	REC55278A5				REC21-30430A13
90 (900) (6-cyl.)		(KC-6A)		REC1395-2015	REC1399-1473	REC1395-8673	
90 (90, 900) (6-cyl.)		(WMK-23, 27, 30, 35, 39)		REC1395-48401	REC1395-8318	REC1395-8673	
90 (90, 900) (6-cyl.)	1978-79	4845301-5299505 7111698-7123762	REC89031A1				REC21-30430A13
90 (6-cyl.) Bomba triangular Triangular pump Pompa triangolare Pompe triangulaire	1979-86	5299506 8060545 7147088	REC89031A3				REC21-30430A14
90 (6-cyl.) Bomba cuadrada Square pump Pompa quadrata Pompe carrée	1979-86	5299506 8060545 7147088	REC21-42990A10				
90 (3-cyl.)		(WME-1, 1A, 1B, 4, 5, 6, 6A, 7, 7B, 8, 9, 10, 10A, 15, 15A, 17, 18, 19, 25, 29, 30, 31, 41, 46, 47, 48, 49, 59, 60, 61, 62, 75, 76, 77, 78, 82, 83, 84, 87, 88)		REC1395-8112231	REC1395-9595-1	REC1395-9594	
90 (3-cyl.)	1987	0A996142+ 9483121	REC21-42990A10				
90 (3-cyl.)	1987	0A996142+ 9483121	REC42909A3				
90 (4 T)Stroke	2000	G960500+		REC67F-W0093-00		REC6H4-14985-01	
95 (950) (6-cyl.)		(KC-6A)		REC1395-2015	REC1399-1473	REC1395-8673	
95 (950) (6-cyl.)	1966-67	1869776-2318585	REC23014A1				REC21-30430A1
100 (1000) (6-cyl.)		(KC-1A, 7A, 7B, 10A, 14A)		REC1395-2015	REC1399-1473	REC1395-8673	
100 (1000) (6-cyl.)		(KD-1A, 1B, 2A, 3A)		REC1395-48401	REC1395-8318	REC1395-8673	
100 (1000SS/BP) (6-cyl.)	1968-69	2318586-3253111	REC23014A1				REC21-30430A1
100 (4-cyl.)		(WME-11, 14, 20, 20A, 21, 21A, 32, 32A, 50, 79)		REC1395-8112231	REC1395-9595-1	REC1395-9594	
100 (4-cyl.)	1988-93	0B209468-0D283221 9523034-9793576	REC42909A3				
100 (4-cyl.)	1988-93	0B209468-0D283221	REC21-42990A10				
100 (4-cyl.)	1988-93	9523034-9793576	REC21-42990A10				
100 (4-cyl.)	1994-98	0D283222+ 9793577	REC21-42990A10				
110 (1100) (6-cyl.)		(KC-1A, 7A, 7B, 10A, 14A)		REC1395-2015	REC1399-1473	REC1395-8673	
110 (1100) (6-cyl.)	1966-67	1870204-2314955	REC23014A1				REC21-30430A1
115 (1150) (6-cyl.)	1970-77	2836019-4855152	REC155278A1	REC21-30430A3			
115 (1150) (6-cyl.)	1973-77	8008665-8051949 7010763-7112248	REC155278A1	REC21-30430A3			
115 (115, 1150) (6-cyl.)		(KD-6A, 6B) (WMK-3, 10, 15, 18, 26, 28, 32, 36, 40, 41)		REC1395-48401	REC1395-8318	REC1395-8673	

		SERIE	MEMBRANA DIAPHRAGM MEMBRANA MEMBRANE	KIT JUNTAS GASKET KIT KIT GUARNIZIONE KIT JOINTS	KIT AGUJAS INLET NEEDLE KIT AGHI KIT POINTEAU	BOYA FLOAT GALLEGGIANTE FLOTTEUR	KIT VÁLVULA VALVE KIT KIT VALVOLA KIT SOUPAPE
115 (115, 1150) (6-cyl.)	1978-79	4855153-5314655 8051950-8061119 7112248-7131212	REC89031A1	REC21-30430A7			
115 Bomba triangular Triangular pump Pompa triangolare Pompe triangulaire	1979-88	5314656 7131213	REC89031A3				REC21-30430A14
	1979-83	8061120	REC89031A3				REC21-30430A14
	1979-88	5314656 7131213	REC21-42990A10				
115	1979-83	8061120	REC21-42990A10				
115 (4-cyl.)		(WME-11, 14, 20, 20A, 21, 21A, 33, 40, 40A)		REC1395-8112231	REC1395-9595-1	REC1395-9594	
115 (4-cyl.)	1989-93	OC100000-0D283221 9559771-9793576	REC42909A3				
115 (4-cyl.)	1989-93	OC100000-0D283221 9559771-9793576	REC21-42990A10				
115 (4-cyl.)	1994-98	OD283222+ 9793577	REC21-42990A10				
125 (1250) (6-cyl.)		(KD-1A, 1B, 2A, 3A)		REC1395-48401	REC1395-8318	REC1395-8673	
125 (1250) (6-cyl.)	1968-69	2314956-2839368	REC23014A1				REC21-30430A1
125 (1250BP) (6-cyl.)	1968	2400058-2641954	REC23014A1				REC21-30430A1
125 (4-cyl.)		(WME-34, 52, 81)		REC1395-8112231	REC1395-9595-1	REC1395-9594	
125 (4-cyl.)	1994-98	OD283222+	REC21-42990A10				
135 (1350) (6-cyl.)		(KD-7A, 7B) (WMK-4)		REC1395-48401	REC1395-8318	REC1395-8673	
135 (1350) (6-cyl.)	1969	2839369-3293233	REC155278A1				REC21-30430A3
140 (1400) (6-cyl.)	1970-71	3293234-3502805	REC155278A1				REC21-30430A3
140 (140, 1400) (6-cyl.)		(WMK-7, 9, 25, 29)		REC1395-48401	REC1395-8318	REC1395-8673	
140 (140, 1400) (6-cyl.)	1978-79	4865678-5327662 8052650-8052879 7112773-7132512	REC89031A1				REC21-30430A7
140 (6-cyl.)	1980-81	5327663	REC89031A3				REC21-30430A14
140 (6-cyl.)	1981	8066065	REC89031A3				REC21-30430A14
140 (6-cyl.)	1980-81	7112773-7132512	REC89031A3				REC21-30430A14
150 (1500) (6-cyl.)		(WMK-7, 9, 25, 29)		REC1395-48401	REC1395-8318	REC1395-8673	
150 (1500) (6-cyl.)	1973-77	4865678-5327662 8052650-8052879 7112773-7132512	REC155278A1				REC21-30430A3
150 (1500XS) (6-cyl.)	1978	5327663	REC89031A2				
V-105 Jet	1994-95	OD08200-0G303045 (WMH-13, 23, 31)		REC8107492	REC1395-811690-1		
V-105 Jet	1996	OG303046+ (WMV-2, 2A)		REC8107492	REC1395-811690-1		
V-135 Bomba triangular Triangular pump Pompa triangolare Pompe triangulaire	1986-88	OA904646-OC100860 (WH-33, 40) OA904646-OC100860 (WH-32, 35, 38)	REC89031A2	REC1395-6452	REC1395-7824	REC1395-7623	
V-135 Bomba cuadrada Square pump Pompa quadrata Pompe carrée	1989-90	OC100861-OC239552 (WH-35, 38)	REC89031A2	REC1395-6452	REC1395-7824	REC1395-7623	
V-135 Bomba cuadrada Square pump Pompa quadrata Pompe carrée	1989-90	OC100861-OC239552 (WH-40, 48)	REC21-42990A10	REC1395-6452	REC1395-7824	REC1395-7623	
V-135	1991	OC239553-OD081999 (WMH-8, 8A)	REC89031A2	REC8107492	REC1395-7824		
V-135 Bomba triangular Triangular pump Pompa triangolare Pompe triangulaire	1992-95	OD082000-OG303045 (WMH-12A, 12B)	REC89031A2	REC8107492	REC1395-7824		
V-135 Bomba cuadrada Square pump Pompa quadrata Pompe carrée	1992-95	OD082000-OG303045 (WMH-28, 30)	REC21-42990A10	REC8107492	REC1395-7824		
V-135	1996-98	OG303046-OG760299 (WMV-1, 1A)	REC89031A2	REC8107493	REC1395-7824		
V-135		OG760300+ (WMV-1A)	REC89031A2	REC8107493	REC1395-7824		
V-135		(WMH 21, 22, 23, 24, 25, 28)		REC1395-811691-2			
V-135 DFI	1998	OG590000+	REC21-42990A10				
V-140 Jet	1994-95	OG82000-OG303045 (WMH-16, 21, 34, 39)		REC8107492	REC1395-811690-1		
V-140 Jet	1996-98	OG303046-OG760299 (WMV-5, 5A) OG760300+ (WMV-5A)		REC8107493	REC1395-811690-1		
V-150 (1500) Bomba triangular Triangular pump Pompa triangolare Pompe triangulaire	1978-85	4868998	REC89031A2				
V-150 (1500) Bomba cuadrada Square pump Pompa quadrata Pompe carrée	1978-85	4868998	REC21-42990A10				
V-150 (150, 1500)	1978-98	(WH-9)		REC1395-6452		REC1395-7623	
V-150 (150, 1500)	1978-98	(WH-12) (WH-29)		REC1395-6452	REC1395-7824	REC1395-7623	
V-150	1986-88	OA904646-OC239552 (WH-35, 38, 40, 48)		REC1395-6452	REC1395-7824	REC1395-7623	
V-150	1991	OC239553-OD081999 (WMH-1, 7)		REC8107492	REC1395-811690-1		
V-150	1992-95	OD08200-0G303045 (WMH-13, 13B, 23, 31)		REC8107492	REC1395-811690-1		
V-150	1996-98	OG303046-OG760299 (WMV-2, 2A)		REC8107492	REC1395-811690-1		
V-150		OG760300+ (WMV-3A)		REC8107492	REC1395-811690-1		
V-150 DFI	1998	OG590000+	REC21-42990A10				
V-150 EFI	1993-98		REC21-42990A10				
V-150 (XR4, MAGII)	1988	OB242885-OC100860 (WH-41A)	REC21-42990A10	REC1395-6452	REC1395-7824	REC1395-7623	
V-150 (XR4, MAGII)	1989	OC100861-OC239552 (WH-41, 41A)	REC21-42990A10	REC1395-6452	REC1395-7824	REC1395-7623	
V-150 (XR4, MAGII)	1991	OC239553-OD081999 (WMH-6)	REC21-42990A10	REC8107492	REC1395-811690-1		
V-150 (XR4, MAGII)	1992-95	OD082000-OG303045 (WMH-14A, 25, 32A)	REC21-42990A10	REC8107492	REC1395-811690-1		

		SERIE	MEMBRANA DIAPHRAGM MEMBRANA	KIT JUNTAS GASKET KIT KIT GUARNIZIONE KIT JOINTS	KIT AGUJAS INLET NEEDLE KIT AGHI KIT POINTEAU	BOYA FLOAT GALLEGGIANTE FLOTTEUR	KIT VÁLVULA VALVE KIT KIT VALVOLA KIT SOUPAPE
V-150 (XR4, MAGII)	1996-98	OG303046-OG760299 (WMV-3, 3A)	REC21-42990A10	REC8107492		REC1395-811690-1	
V-150 (XR4, MAGII)	1996-98	OG762000+ (WMV-3A)	REC21-42990A10	REC8107492		REC1395-811690-1	
V-150		(WMH 21, 22, 23, 24, 25, 28)		REC1395-811691-2			
V-175 Bomba triangular Triangular pump Pompa triangolare Pompe triangulaire	1976-88	4301235-0C100860 (WH-13)	REC21-42990A10	REC1395-6452	REC1395-7824	REC1395-7623	
	1976-79	8058870-8064249 (wh-13)	REC21-42990A10	REC1395-6452	REC1395-7824	REC1395-7623	
V-175 Bomba cuadrada Square pump Pompa quadrata Pompe carrée	1976-88	4301235-0C100860 (WH-1, 4, 7, 28, 39, 46)	REC89031A2	REC1395-6452	REC1395-7824	REC1395-7623	
	1976-79	8058870-8064249 (WH-13)	REC89031A2	REC1395-6452		REC1395-7623	
V-175 Bomba triangular Triangular pump Pompa triangolare Pompe triangulaire	1976-88	4301235-0C100860 (WH-7A)	REC21-42990A10	REC1395-6452		REC1395-7623	
	1976-79	8058870-8064249 (WH-7A)	REC21-42990A10	REC1395-6452	REC1395-7824	REC1395-7623	
V-175 Bomba cuadrada Square pump Pompa quadrata Pompe carrée	1976-88	4301235-0C100860 (WH-17)	REC89031A2	REC1395-6452	REC1395-7824	REC1395-7623	
	1976-79	8058870-8064249 (WH-17)	REC89031A2	REC1395-6452	REC1395-7824	REC1395-7623	
V-175 Bomba triangular Triangular pump Pompa triangolare Pompe triangulaire	1976-88	4301235-0C100860 (WH-17R, 30, 34)	REC21-42990A10	REC1395-6452	REC1395-7824	REC1395-7623	
	1976-79	8058870-8064249 (WH-17R, 30, 34)	REC21-42990A10	REC1395-6452	REC1395-7824	REC1395-7623	
V-175	1989-90	OC100861-OC239552 (WH-34)		REC1395-6452	REC1395-7824	REC1395-7623	
V-175	1991	OC239553-OD81999 (WMH-2, 11)		REC8107492	REC1395-811690-1		
V-175	1992-95	OD082000-OG303045 (WMH-15, 22, 33)		REC8107492	REC1395-811690-1		
V-175	1996-98	OG303046-OG760299 (WMV-4, 4A)		REC8107493	REC1395-811690-1		
V-175	1991	OG760300+ (WMV-4A)		REC8107493	REC1395-811690-1		
V-175	1991	OG760300+		REC1395-6452	REC1395-7824	REC1395-7623	
V-175 EFI	1991-98		REC21-42990A10				
V-175		(WMH 21, 22, 23, 24, 25, 28)		REC1395-811691-2			
V-200 EFI	1989-98		REC21-42990A10				
V-200 (200, 2000)	1978-88	4839034-0C100860 (WH-3)	REC89031A2	REC1395-6452	REC1395-7824		
V-200 (200, 2000)	1980-81	8061595-8065672 (WH-3)	REC89031A2	REC1395-6452	REC1395-7824	REC1395-7623	
V-200 (200, 2000)	1978-88	4839034-0C100860 (WH-3A, 11)	REC89031A2	REC1395-6452		REC1395-7623	
V-200 (200, 2000)	1980-81	8061595-8065672 (WH-3A, 11)	REC89031A2	REC1395-6452		REC1395-7623	
V-200 (200, 2000)	1978-88	4839034-0C100860 (WH-14, 16, 18, 20, 28, 39, 46)	REC89031A2	REC1395-6452	REC1395-7824	REC1395-7623	
V-200 (200, 2000)	1980-81	8061595-8065672 (WH-14, 16, 18, 20, 28, 39, 46)	REC89031A2	REC1395-6452	REC1395-7824	REC1395-7623	
V-200	1989-90	OC100861-OC291519 (WH-46)		REC1395-6452	REC1395-7824	REC1395-7623	
V-200	1991	OC291520-OD081999 (WMH-3)		REC8107492	REC1395-811690-1		
V-200	1992-95	OD082000-OG303045 (WMH-16, 21, 34, 39)		REC8107492	REC1395-811690-1		
V-200	1996-98	OG303046-OG760299 (WMV.5, 5A)		REC8107493	REC1395-811690-1		
V-200	1996-98	OG760300+ (WMV-5A)		REC8107493	REC1395-811690-1		
V-200	1982-83	6073192-6357229	REC90363A1				
V-200	1983-84	6357230-6625220	REC89031A4				
V-200	1985-88	6625221	REC21-42990A10				
V-200		(WMH 21, 22, 23, 24, 25, 28)		REC1395-811691-2			
V-200 DFI	1998	OG590000+	REC21-42990A10				
V-220 Laser	1987-88	OB117316+	REC21-42990A10				
V-225 (2.4L)	1980-81	5628028 + (WH-5, 20)	REC90363A1	REC1395-6452	REC1395-7824	REC1395-7623	
		OD280813-OG303045 (WMH-19, 46, 47)					
		OG303046-OG760299 (WMV-7, 13)					
		OG76300+ (WMV-13)					
V-225 (3.0L)	1994-98	OG245605-OG303045 (WMH-45)	REC21-42990A10	REC8107492	REC1395-811690-1		
		OG303046-OG760299 (WMH-6, 11)					
		(WMV-11)					
		OG760300+ (WMV-11A)					
V-250 (275) (3.4L)	1989-94	OC101891+ (WD-8A, 9, 9A)	REC21-42990A10				
V-225 DFI (3.0L)	1998	OG590000+	REC21-42990A10				
V-225 EFI (3.0L)	1995-98	OG129222+	REC21-42990A10				
V-250 EFI (3.0L)	1995-98	OG129222+	REC21-42990A10				
V-275 (3.4L)	1989-94	OC101891+	REC21-42990A10				
V-300 (3.4L)	1980-87	5611648+ (WD-3, 5)	REC89031A2				

KIT VST ALTA PRESIÓN		VST KIT HIGHT PRESSURE		KIT VST ALTA PRESIONE		KIT VST HAUTE PRESION	
REF	OEM			2T	4T		
				STROKES	STROKES		
PAF40-05100000EI	892267T03 892267T02		40, 50, 60 EFI (3 Et 4 cyl)		✓		
<p>Sin conector eléctrico Without electrical connector Senza connettore elettrico Sans connecteur électrique</p>							




new

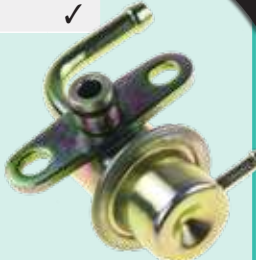
**REGULADOR PRESIÓN
COMBUSTIBLE**

**REGULATOR FUEL
PRESSURE**

**REGOLATORE PRESSIONE
COMBUSTIBILE**

**REGULATEUR DE
PRESSION D'ESSENCE**

REF	OEM		2T STROKES	4T STROKES
REC69J-13906-00	888227	225E EFI V6 (0T653945+)		✓




new


JUNTAS VST

VST GASKETS


GUARNIZIONE VST


JOINTS VST




REF	OEM		2T STROKES	4T STROKES
REC27-8M0135597	27-8M0135597	9.9 EFI (1R008146-) 10, 15, 20 EFI (OR833820+)		✓


new





REF	OEM		2T STROKES	4T STROKES
REC6C5-14984-00	27-881325001	75, 80, 90, 100 HP EFI		✓


new


REF	OEM		2T STROKES	4T STROKES
REC27-883213	27-883213	30, 40 EFI (3Cyl) 40, 50, 60 EFI (4 Cyl) Formula 60 (Race Outboard)		✓





REF	OEM		2T STROKES	4T STROKES
REC27-883252	27-883252	110 Jet (2.5L9) 150, 175 Proxs (2.5 L) 200, 225, 250 (3.0 EFI) V-135 - V-200 EFI/ DFI (2.5L)		✓





REF	OEM		2T STROKES	4T STROKES
REC27-889319	27-889319	75, 90 DFI, 80 Jet (3 cyl) 1.5 L 115, 125 DFI (3 cyl) 1.5 L Pro xs 200 (3.0) DFI DTS 200 DFI 3.0L Pro xs 225 DFI 3.0L Pro xs Race Outboard 225 x 5 (3.0 & 3.2L DFI)		✓





REF	OEM		2T STROKES	4T STROKES
REC68V-14984-00	27-881325	115 EFI 225 EFI		✓



REF	OEM		2T STROKES	4T STROKES
REC26-880596502	26-880596502	75, 80, 90, 110, 115 EFI 135, 150, 175, 200 Verado (4 cyl) 200, 225, 250, 275, 300, 350 Verado (6 cyl)		✓



REF	OEM		2T STROKES	4T STROKES
REC25-809086	25-809086	200 DFI 225, 250 (3.0L EFI) V-150 - V-200 EFI		✓



INYECTORES

INJECTOR

INNIETTORE


INJECTEURS

INJECTOR COMBUSTIBLE


FUEL INJECTOR

INNIETTORE COMBUTIBILE


INJECTEURS

REF	OEM		2T STROKES	4T STROKES
REC8M0134459	8M0134459	9.9 EFI, 10 EFI, 15 EFI, 20 EFI		✓




REF	OEM		2T STROKES	4T STROKES
REC8M0091784	8M0091784 89810174	25, 30 EFI (OR106966+)		✓



REF	OEM		2T STROKES	4T STROKES
REC892123002	892123002 892123001 877826	30 - 60 EFI		✓




REF	OEM		2T STROKES	4T STROKES
REC8M6002428	8M6002428 8M6000652 8M0057686	70 - 150 HP EFI		✓




new

REF	OEM		2T STROKES	4T STROKES
REC8M0041571	8M0041571 8M0006027 892811T02	75 - 300 HP EFI VERADO		✓



REF	OEM		2T STROKES	4T STROKES
REC6D8-13761-00	880887T02	75 - 100 EFI		✓



REF	OEM		2T STROKES	4T STROKES
REC68V-8A360-00	880887T1	115 EFI (0T178500 - 1B366822)		✓



REF	OEM		2T STROKES	4T STROKES
REC69J-13761-00	888212	225E EFI V6 (0T653945+)		✓



GUÍA INYECTORES

FUEL INKECTOR GUIDE

GUIDA INNIETTORE
COMBUTIBILE

GUIDE DES INJECTEURS

	SERIE	CYL	REF
10 EFI, 15 EFI 15EFI SEAPRO, 20EFI	OR832820 +	2	REC8M0134459
25 EFI	OR106966 +	3	REC8M0091784
30 EFI	OP153500 - OP400999	3	REC892123002
30 EFI	OR106999 +	3	REC8M0091784
30 EFI	OT409000 - 1B226999	3	REC892123002
30 EFI	1C109093 - 1C456299	3	REC892123002
30 EFI	1C456300 +	3	REC892123002
40 EFI	OP153500 - OP400999	BEL 3	REC892123002
40 EFI	OP401000 - OP515896	BEL 3	REC892123002
40 EFI	OP409000 - 1B226999	USA 3	REC892123002
40 EFI	1B227000 - 1B355027	USA 3	REC892123002
40 EFI	1C000001 - 1C043416	3	REC892123002
40 EFI	1C043417 - 1C456299	3	REC892123002
40 EFI	1C456300 +	3	REC892123002
40 EFI	OP153500 - OP400999	BEL 4	REC892123002
40 EFI	OP401000 - OP515896	BEL 4	REC892123002
40EFI	OP515897 - OP580772	BEL 4	REC892123002
40 EFI	OT409000 - 1B355222	USA 4	REC892123002
40 EFI	1C000001 - 1C050251	USA 4	REC892123002
40 EFI	1C050252 - 1C453839	USA 4	REC892123002
40 EFI & SEAPRO	1C453840 +	USA 4	REC892123002
50 EFI	OP153500 - OP400999	BEL 4	REC892123002
50 EFI	OP401000 - OP515896	BEL 4	REC892123002
50 EFI	OP515897 - OP580772	BEL 4	REC892123002
50 EFI	OT409000 - 1B355222	USA 4	REC892123002
50 EFI	1C000001 - 1C050251	USA 4	REC892123002
50 EFI	1C050252 - 1C453839	USA 4	REC892123002
50 EFI	1C453840 +	USA 4	REC892123002
60 EFI	OP153500 - OP400999	BEL 4	REC892123002
60 EFI	OP401000 - OP515896	BEL 4	REC892123002
60 EFI	OP515897 - OP580772	BEL 4	REC892123002
60 EFI	OT409000 - 1B355222	USA 4	REC892123002
60 EFI	1C000001 - 1C050251	USA 4	REC892123002
60 EFI	1C050252 - 1C453839	USA 4	REC892123002
60 EFI & SEAPRO	1C453840 +	USA 4	REC892123002
75 EFI	1B172291 - 1B366822	USA 4	REC6D8-13761-00
75 EFI	1B366823 - 2B094995	USA 4	REC8M0041571
75 EFI & SEAPRO	2B095049 +	4	REC8M6002428
80 EFI	OP459572 - 2B094995	BEL 4	REC8M0041571
80 EFI	1B227000 - 1B366822	USA 4	REC6D8-13761-00
80 EFI	1B366823 - 2B094995	USA 4	REC8M0041571
80 EFI	2B095049 +	4	REC8M6002428
90 EFI	1B172291 - 1B366822	USA 4	REC6D8-13761-00
90 EFI	1B366823 - 2B094995	USA 4	REC8M0041571
90 EFI & SEAPRO	2B095049 +	USA 4	REC8M6002428
100 EFI	OP459572 - 2B094995	BEL 4	REC8M0041571
100 EFI	1B227000 - 1B366822	USA 4	REC6D8-13761-00
100 EFI	1B366823 - 2B094995	USA 4	REC8M0041571
100 EFI	2B095049 +	USA 4	REC8M6002428
115 EFI	OT178500 - OT800999	USA 4	REC68V-8A360-00
115 EFI	OT801000 - 1B226999	USA 4	REC68V-8A360-00
115 EFI	1B227000 - 1B366822	USA 4	REC68V-8A360-00
115 EFI	1B366823 - 2B094995	USA 4	REC8M0041571
115 EFI & SEAPRO (XS)	2B095049 +	4	REC8M6002428
135	2B131942 +	4	REC8M6002428
135 VERADO	OP419487 - OP464487	BEL 4	REC8M0041571
135 VERADO	OP464488 - OP514868	BEL 4	REC8M0041571
135 VERADO	OP514869 - OP593020	BEL 4	REC8M0041571
135 VERADO	1B227000 - 1B381711	USA 4	REC8M0041571
135 VERADO	1B381712 - 1B517158	USA 4	REC8M0041571
135 VERADO	1B517159 - 2B576734	USA 4	REC8M0041571
150	1B905505 +	4	REC8M6002428
150 SEAPRO	2B139139 +	4	REC8M6002428
150 Pro XS	2B550139 +	4	REC8M6002428
150 VERADO	OP419487 - OP464487	BEL 4	REC8M0041571
150 VERADO	OP464488 - OP514868	BEL 4	REC8M0041571

	SERIE	CYL	REF
150 VERADO	OP514869 - OP593020	BEL 4	REC8M0041571
150 VERADO	1B227000 - 1B381711	USA 4	REC8M0041571
150 VERADO	1B381712 - 1B517158	USA 4	REC8M0041571
150 VERADO	1B517159 - 2B576734	USA 4	REC8M0041571
175 VERADO	OP419487 - OP464487	BEL 4	REC8M0041571
175 VERADO	OP464488 - OP514868	BEL 4	REC8M0041571
175 VERADO	OP514869 - OP593020	BEL 4	REC8M0041571
175 VERADO	1B227000 - 1B381711	USA 4	REC8M0041571
175 VERADO	1B381712 - 1B517158	USA 4	REC8M0041571
175 VERADO	1B517159 - 2B576734	USA 4	REC8M0041571
200 VERADO	OP514869 - OP593020	BEL 4	REC8M0041571
200 VERADO	1B517159 - 2B576734	USA 4	REC8M0041571
200 VERADO	OP409357 - OP464487	BEL 6	REC8M0041571
200 VERADO	OP464488 - OP520552	BEL 6	REC8M0041571
200 VERADO	OP520553 - 2B144122	BEL 6	REC8M0041571
200 VERADO	OT980000 - 1B226999	USA 6	REC8M0041571
200 VERADO	1B227000 - 1B381711	USA 6	REC8M0041571
200 VERADO	1B381712 - 1B517433	USA 6	REC8M0041571
200 VERADO	1B517434 - 2B144122	USA 6	REC8M0041571
200 VERADO	2B144123 - 2B578935	USA 6	REC8M0041571
200 Pro VERADO	2B034840 - 2B144122	6	REC8M0041571
200 Pro VERADO	2B144123 - 2B577715	6	REC8M0041571
225 EFI	OT653945 +	USA 6	REC69J-13761-00
225 VERADO	OP409357 - OP464487	BEL 6	REC8M0041571
225 VERADO	OP464488 - OP520552	BEL 6	REC8M0041571
225 VERADO	OP520553 - 2B144122	BEL 6	REC8M0041571
225 VERADO	OT980000 - 1B226999	USA 6	REC8M0041571
225 VERADO	1B227000 - 1B381711	USA 6	REC8M0041571
225 VERADO	1B381712 - 1B517433	USA 6	REC8M0041571
225 VERADO	1B517434 - 2B144122	USA 6	REC8M0041571
225 VERADO	2B144123 - 2B578935	USA 6	REC8M0041571
250 VERADO	OP409357 - OP464487	BEL 6	REC8M0041571
250 VERADO	OP464488 - OP520552	BEL 6	REC8M0041571
250 VERADO	OP520553 - 2B144122	BEL 6	REC8M0041571
250 VERADO	OT980000 - 1B226999	USA 6	REC8M0041571
250 VERADO	1B227000 - 1B381711	USA 6	REC8M0041571
250 VERADO	1B381712 - 1B517433	USA 6	REC8M0041571
250 VERADO	1B517434 - 2B144122	USA 6	REC8M0041571
250 VERADO	2B144123 - 2B578935	USA 6	REC8M0041571
250 PRO VERADO	1B830170 - 2B144122	6	REC8M0041571
250 PRO VERADO	2B144123 - 2B577715	USA 6	REC8M0041571
275 VERADO	OP409357 - OP464487	BEL 6	REC8M0041571
275 VERADO	OP464488 - OP520552	BEL 6	REC8M0041571
275 VERADO	OP520553 - 2B144122	BEL 6	REC8M0041571
275 VERADO	OT980000 - 1B226999	USA 6	REC8M0041571
275 VERADO	1B227000 - 1B381711	USA 6	REC8M0041571
275 VERADO	1B381712 - 1B517433	USA 6	REC8M0041571
275 VERADO	1B517434 - 2B144122	USA 6	REC8M0041571
275 VERADO	2B144123 - 2B578935	USA 6	REC8M0041571
300 VERADO	OP520553 - 2B144122	BEL 6	REC8M0041571
300 VERADO	1B517434 - 2B144122	USA 6	REC8M0041571
300 VERADO	2B144123 - 2B578935	USA 6	REC8M0041571
300 PRO VERADO	1B830170 - 2B144122	6	REC8M0041571
300 PRO VERADO	2B144123 - 2B577715	USA 6	REC8M0041571



P 38

REF
STA93008
STA93016

P 38

REF
GE22207

MERCURY

RECAMBIOS
MARINOS


CARBURADOR

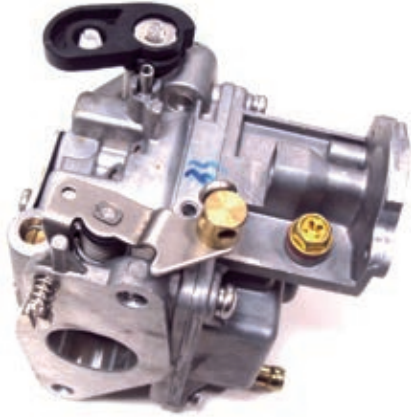
CARBURATOR

CARBURATORE


CARBURATEUR

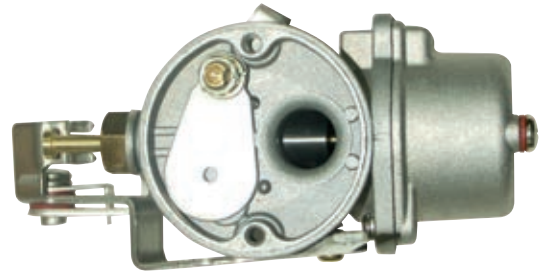
CARBURADOR COMPLETO FULL CARBURATOR


REF	OEM		2T STROKES	4T STROKES
PAF8-05040000	339-895110T01 339-895110T11	8 Et 9.9, (209 cc) OP325500+		✓

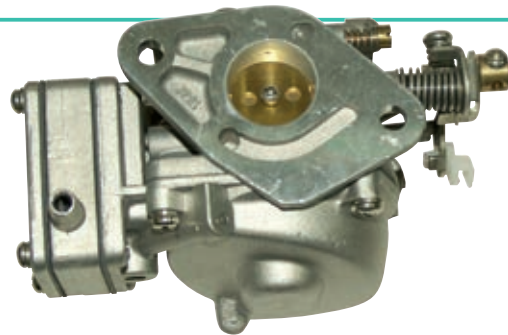


CARBURATORE COMPLETO CARBURATEUR COMPLET

REF	OEM		2T STROKES	4T STROKES
REC3303-8231752			2.5 (017000+) 3 (0A855097 - 0G710612) 3.3 0D901217+	✓



REF	OEM		2T STROKES	4T STROKES
REC3303-812648T			4, 5 (OP017000+)	✓
			4, 5 (9589154 - OP016999)	
			4, 5 (1 cyl Japan) (9542671+)	



KITS CARBURADORES


CARBURETOR KITS

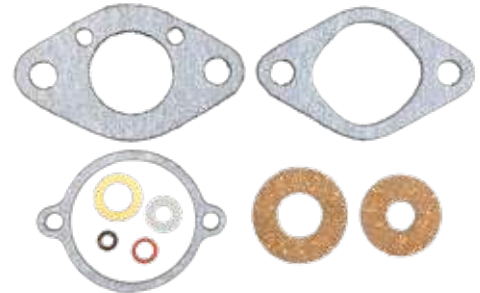
KIT CARBURATORI


KIT CARBURATEUR

REF	OEM		2T STROKES	4T STROKES
REC6A1-W0093-01	92520M	2 HP		✓



REF	OEM		2T STROKES	4T STROKES
REC1395-2015	1399-1717 1399-2015 1399-3523		4, 4.5 HP 4 CYL	✓



REF	OEM		2T STROKES	4T STROKES
REC40470	1395-9262-1	3.9-110 INLINE EARLY		✓



REF	OEM		2T STROKES	4T STROKES
REC6G1-W0093-00	11502M	6C/D 8C		✓



REF	OEM	2T STROKES	4T STROKES	
REC1395-97611	1395-97611	1395-9645		6 -25 HP ✓
	1395-9761	1395-9377		
	1395-9803	1395-9179		
	1395-9725	1395-811357		

REF	OEM	2T STROKES	4T STROKES	
REC677-W0093-00	84473M	W8 MARATHON		✓

REF	OEM	2T STROKES	4T STROKES	
REC1395-5198	1399-5135 1399-5198	7.5, 9.8 HP		TILLOTSON STAMPED ✓

REF	OEM	2T STROKES	4T STROKES	
REC689-W0093-02	84456M	25, 28, 30 HP		✓

REF	OEM	2T STROKES	4T STROKES	
REC1399-5137	1399-5137	7.5 - 50 HP		TILLOTSON STAMPED ✓

REF	OEM	2T STROKES	4T STROKES	
REC8542561	854256 1	25 - 60 HP		✓

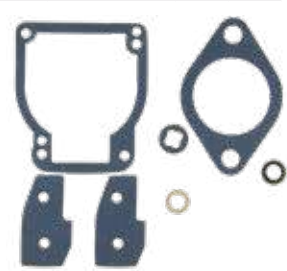
REF	OEM	2T STROKES	4T STROKES	
REC6E7-W0093-01	814481M	8.9 - 17 HP		✓

REF	OEM	2T STROKES	4T STROKES	
REC1395-823635-4	1395-823635-4	30 - 125HP		✓


REF	OEM	2T STROKES	4T STROKES	
REC66M-W0093-01	802706A1	8, 9.9, 13.5, 15 HP		✓

REF	OEM	2T STROKES	4T STROKES	
REC1395-9650		30, 40, 45 HP		✓


REF	OEM	2T STROKES	4T STROKES
REC1395-8112231	1395-811223-1	30 - 125 HP	✓



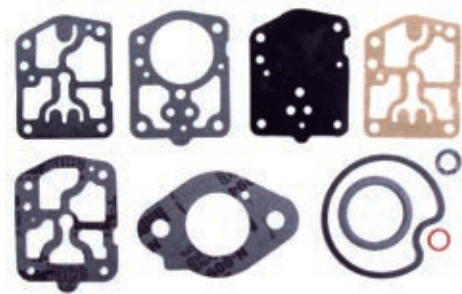
REF	OEM	2T STROKES	4T STROKES
REC1395-9651	1395-9651	40, 45, 50 HP 4 CYL	✓



REF	OEM	2T STROKES	4T STROKES
REC40480	1395-5109-1	CHRYSLER 35 - 50 HP FORCE 50 - 85 HP	✓




REF	OEM	2T STROKES	4T STROKES
REC1395-9024	1395-9024	45, 50 HP 4 CYL WALLBRO	✓




REF	OEM	2T STROKES	4T STROKES
REC6E9-W0093-03	97667M	40C TWIN CARB	✓




REF	OEM	2T STROKES	4T STROKES
REC6H1-W0093-01-00	84475M	40B	✓



REF	OEM	2T STROKES	4T STROKES
REC6E9-W0093-02	17068M	40 HP TWIN CARB	✓



REF	OEM	2T STROKES	4T STROKES
REC1395-6200	1395-6200	50, 60, 70, 75, 80 HP	✓






REF	OEM	2T STROKES	4T STROKES
REC6F6-W0093-00	11810M 11810T	W40 MARATHON	✓






REF	OEM	2T STROKES	4T STROKES
REC696-W0093-00	84419M	60 HP 2 CYL	✓

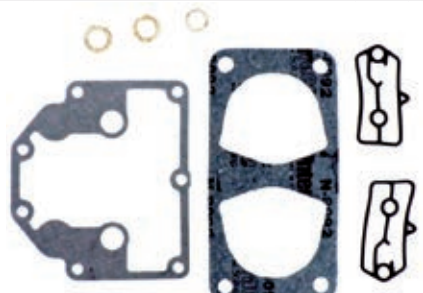
Para dos carburadores
For two carburetors
Contenuto per due carburatori
Pour 2 carburateurs






REF	OEM		2T STROKES	4T STROKES
REC67F-W0093-00	804346T01 804346T1 804346T02		75, 90 HP	✓






REF	OEM		2T STROKES	4T STROKES
REC8107493	810749-3		V135 - 225 HP	✓





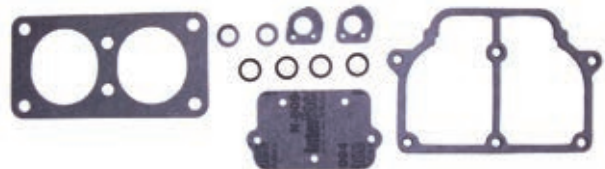
REF	OEM		2T STROKES	4T STROKES
REC1395-48401	1395-4808-1		90 - 150 HP	✓





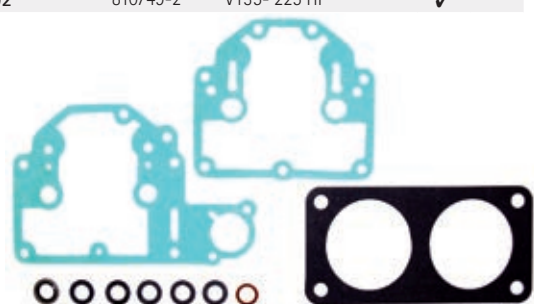
REF	OEM		2T STROKES	4T STROKES
REC1395-811691-3	1395-811691 3		V135 - 225 HP	✓






REF	OEM		2T STROKES	4T STROKES
REC1395-6452	1395-6452 1395-8506		135 - 225 HP 2.4L	✓



REF	OEM		2T STROKES	4T STROKES
REC8107492	810749-2		V135 - 225 HP	✓



REF	OEM		2T STROKES	4T STROKES
REC1395-811691-2	1395-811691 2		V135 - 225 HP	✓




GUÍA KITS CARBURADOR GUIDE, CARBURATOR KIT GUIDA KIT CARBURATORE GUIDE KIT CARBURATEURS

4T STROKES	REF
8 (Bodensee)	OP400999+ REC66M-W0093-01
9.9 (323cc)	OP075166 - OP400999 REC66M-W0093-01
13.5 Internat.	OP134638+ REC66M-W0093-01
15	OP9973100+ REC66M-W0093-01
75 (Bodensee)	OG960500 - 1B226999 REC67F-W0093-00
90	OG960500 - 1B226999 REC67F-W0093-00
25	9973100 REC8542561

4T STROKES	REF
30	OP017000 - OP153499 REC8542561
30 CARB (3 cyl)	OP153500 - OP400999 REC8542561
40	OP017000 - OP153499 REC8542561
40 CARB (3 cyl)	OP153500+ REC8542561
40 (4 cyl)	OP094500 - OP206999 REC8542561
50 (4 cyl)	OP094500 - OP206999 REC8542561
60 (4 cyl)	OP094500 - OP206999 REC8542561

GUÍA KITS CARBURADOR

GUIDE, CARBURATOR KIT

GUIDA KIT CARBURATORE

GUIDE KIT CARBURATEURS

2T STROKES		REF
2B	6A1-000101 +	REC6A1-W0093-01
6	9464526	REC1395-97611
6 C/ D	6H8 & 6H6	REC6G1-W0093-00
8	9461526	REC1395-97611
8 B	677	REC677-W0093-00
8 C	6G1	REC6G1-W0093-00
W8 (W/Marathon) M/ML/SUL	677	REC677-W0093-00
9.9	9461526	REC1395-97611
9.9 C	6E7/ 70-71 (682) M-682-070796+ ML-682-368040+ E-682-251511+ EL-682-55146+	REC6E7-W0093-01
10 Sea Pro, Viking		REC1395-97611
15	9542620	REC1395-97611
15 SeaPro	992700	REC1395-97611
15 Viking	OP32550 +	REC1395-97611
15C	6E8/ 71 (684) M-684-052848+ ML-684-332302+ E-684-252381+ EL-684-553251+	REC6E7-W0093-01
15 C		REC6E7-W0093-01
20 (2 cyl)	9415101	REC1395-97611
20 JET	9807909 - OP016999	REC1395-97611
25 (2 cyl)	9415101	REC1395-97611
25, 25 SeaPro (super 15)	9415101	REC1395-97611
25A	M-648-24991+ ML-648-64046+ E-648-27056+ EL-648-56526+	REC689-W0093-02
25 C	695	REC689-W0093-02
28	M-664-05306+ ML-664-41686+ E-664-26236+ EL-664-57421+	REC689-W0093-02
30 (2Cyl)	9854537	REC1395-823635-4
30A	M-689-230100+ ML-689-530100+ E-689-250100+ EL-689-550100+	REC689-W0093-02

2T STROKES		REF
30 Jet (3Cyl)	9973100	REC1395-823635-4
30 Jet	9570790	REC1395-9650
40 (2 Cyl)	9854537	REC1395-823635-4
40 (3 Cyl)	9973100	REC1395-823635-4
40 (4 Cyl)	9570790	REC1395-9650
40 (Twin Carb)	6E9-000106 -42316	REC6E9-W0093-03
40 (Twin Carb) (w/oil inject) (w/auto blend)	6E9-	REC6E9-W0093-02
40 A/ B (above / thru prop. exhaust)	676	REC6H1-W0093-01-00
40 (W/Marathon)	6F6	REC6F6-W0093-00
40 Jet	OP094500+	REC1395-823635-4
45 Jet	9885385+	REC1395-823635-4
45 (4 Cyl)	9466692+	REC1395-9650
48	M-670-02641+ ML-670-34581+	REC696-W0093-00
W48	670	REC696-W0093-00
50 (3 Cyl)	9885345+	REC1395-823635-4
55 / W55	663	REC696-W0093-00
55 (3 Cyl)	9885345+	REC1395-823635-4
60	675	REC696-W0093-00
60 (3Cyl) & (BIGFOOT)	9885345+	REC1395-823635-4
65 Jet	9793577 - OP325499	REC1395-823635-4
75 (3 Cyl)	9793577+	REC1395-823635-4
80 Jet	9793577 - OP325499	REC1395-823635-4
90 (3 Cyl)	9793577+	REC1395-823635-4
100 (4 Cyl)	9523034 - OP058999	REC1395-823635-4
115 (4 Cyl)	OP017000+	REC1395-823635-4
125 (4 Cyl)	3793577+	REC1395-823635-4
V-135/V-150/ V-175/V-200HP	OG303045 +	REC1395-811691-2
V-135/V-150/ V-175/V-200HP	OG303046 +	REC1395-811691-3
225HP (3.0L Carb) (Sea Pro)	OG303045+	REC1395-811691-2
225HP (3.0L Carb) (Sea Pro)	OG303046 +	REC1395-811691-3
XR-6	OG303045+	REC1395-811691-2
XR-6	OG303046+	REC1395-811691-3

KIT AGUJA CARBURADOR

NEEDLE VALVE, KIT

KIT SPILLO CONICO CARBURATORE

KIT SIEGE, POINTEAU ET GICLEUR

REF	OEM	2T STROKES	4T STROKES	
REC1399-1473	1395-9258 1399-1138 1399-1473	3.9 - 15 HP	✓	

REF	OEM	2T STROKES	4T STROKES	
REC1395-8318	1395-8318	4 - 115 HP	✓	

REF	OEM	2T STROKES	4T STROKES	
REC6G1-14546-00	11490M	6C (677) 6D (6H6) 8C (6G1)	✓	

REF	OEM	2T STROKES	4T STROKES	
REC6E8-14390-12	14216M	W8 (677) W15 (684) 15C (684) (6E8-04)	✓	


REF	OEM	2T STROKES	4T STROKES	
REC626-14390-90	80447M	15C (684) 8K (680) 8B (677) 9.9C (682) W8 (677) W15 (662)	✓	

REF	OEM	2T STROKES	4T STROKES	
REC677-14343-68	95495M	15C (684)#136 W15 (684)	✓	


REF	OEM	2T STROKES	4T STROKES	
REC6H3-14590-00	17050M	75 (OG960500+) 75 BODENSEE (OG960500+) 90 (OG960500+)	✓	

REF	OEM	2T STROKES	4T STROKES	
REC19271-1	19271-1	75 HP 4 CYL	✓	

REF	OEM		2T STROKES	4T STROKES
REC1395-7824	1395-7824	V135 - V200	✓	



REF	OEM		2T STROKES	4T STROKES
REC1395-811690-1	1395-811690-1	V135 - 225 HP	✓	




AGUJA CARBURADOR NEEDLE VALVE

SPILLO CONICO POINTEAU


REF	OEM		2T STROKES	4T STROKES
REC1395-9595-1	1395-9595-1	50 HP 3 CYL	✓	



REF	OEM		2T STROKES	4T STROKES
REC809570-1	809570-1	8 - 50 HP	✓	



REF	OEM		2T STROKES	4T STROKES
REC1395-9022	1395-9022	8 - 50 HP	✓	




TORNILLOS CARBURADOR BOLT SCREW


VITE CARBURATORE

VIS DE CARBURATEUR

REF	OEM	
REC647-14323-00	10-80573M	4A 5A/C 8A/B/K/W8 9.9C 15A/C/K 20C 25C/K/K25/W25 28 30A/W30



REF	OEM	
REC6A0-14325-00	10-41889M	8 - 50 HP M3x5




BOYAS FLOATS


GALLEGGIANTE

FLOTTEUR


REF	OEM		2T STROKES	4T STROKES
REC16253	16253	4, 5, 6, 8, 9.8 HP	✓	




REF	OEM		2T STROKES	4T STROKES
REC6G1-14985-00	11489M	6C/D 8C	✓	




REF	OEM		2T STROKES	4T STROKES
REC6E7-14385-00	14180M	4A (M070824-ML325784+) 5C (M144067-ML425197+) W8 9.9C (6E7-72) 15C / W15 (6E8-04)	✓	




REF	OEM		2T STROKES	4T STROKES
REC676-14966-00	22-83369M	6C/D 40A/B/C 75 90	✓	





REF	OEM		2T STROKES	4T STROKES
REC647-14385-00	80450M	4A 5A/C 8A / B / K-L-S 9.9C 15A / C / K / W15 K40 W8 (M)(ML)(SVL)	✓	




REF	OEM		2T STROKES	4T STROKES
REC162532	162532	8 HP 9.9 HP 2005+	✓	



new

REF	OEM	 2T STROKES	 4T STROKES
REC809569	809569	9, 9.9, 13.5, 40, 45, 50 HP	✓





new


REF	OEM	 2T STROKES	 4T STROKES
REC6H4-14985-01	804184	75 HP (OG960500-1B226999) 90 HP (OG960500-1B226999)	✓






REF	OEM	 2T STROKES	 4T STROKES
REC648-14385-00	80591M	20C 25C/K/K25/W25 28 30A/W30	✓






REF	OEM	 2T STROKES	 4T STROKES
REC1395-8673	1395-8983 1395-8673	90, 115 HP 6 CYL	✓





REF	OEM	 2T STROKES	 4T STROKES
REC1395-9594	1395-9594	30 - 115 HP	✓




REF	OEM	 2T STROKES	 4T STROKES
REC1395-7623	1395-7623 1395-9267	V150 - V200 HP	✓



new

REF	OEM	 2T STROKES	 4T STROKES
REC676-14985-01	891730A01	40 HP (676)	✓



KIT

REF	OEM	 2T STROKES	 4T STROKES
REC19273	19273	WM-3, 5, 6, 8, 9, 10, 77, 12, 13, 13A, 14, 15, 15A, 16, 16A, 17, 18	✓



REF	OEM	 2T STROKES	 4T STROKES
REC8M6000359	8M6000359 880596504 880596522 880596524 8M0007943	75 - 300 HP VST SYSTEM	✓



PASADOR DE BOYA		PIN FLOAT		SPINOTTO GALLEGGIANTE		AXE DE FLOTTEUR			
REF	OEM		2T STROKES	4T STROKES	REF	OEM		2T STROKES	4T STROKES
REC647-14386-10	17-80451M	4A			REC6E5-14386-01	17-11794M	9.9 / 13.5 / 15HP		
		5C					40 / 45 / 50HP		✓
		8A / K / W8		✓			20C / 25K / 30A / K40 / 40 Italy		
		8 Bondensee / Inter.					40A		
REC688-14548-00	17-97730M	9.9C (323 cc.)			REC663-14548-00	17-81278M	40B		
		15C / K / W15		✓			48 / W-48		✓
		6C / D					55		
REC676-14186-00	17-92639M	8C		✓			60 (2 cyl)		
		40C							
		6C / D							
		8C							
		40A / B / C		✓					
		W-48							
55									
W-55									
60 (2 cyl)									
75 HP									
90 HP				✓					



JUNTAS FILTRO CARBURADOR		GASKETS, CARBURETOR FILTER		GUARNIZIONE FILTRO CARBURATORE		JOINT FILTRE CARBURATEUR	
CORTO SHORT CORTO COURT							
REF	OEM						
REC27-25849	27-25849	10-115 HP (1-6 cyl) (1970-85)					

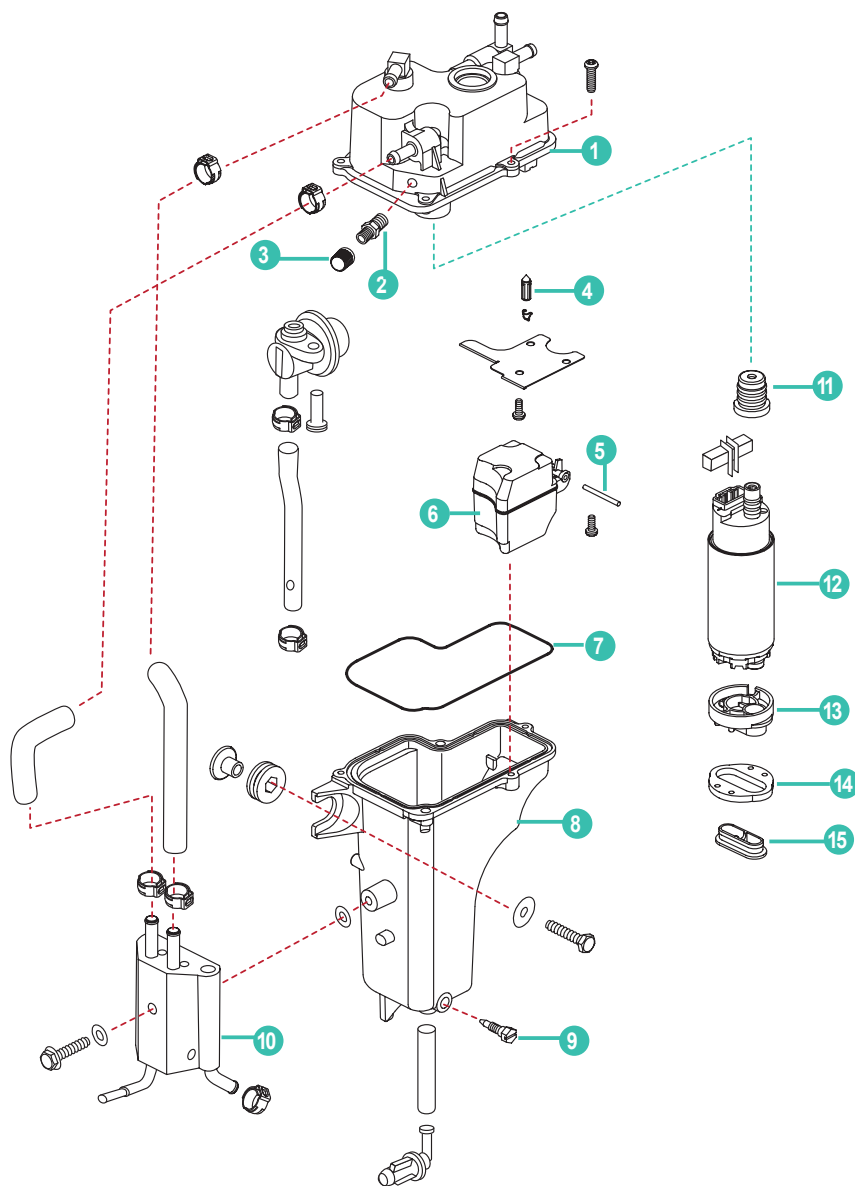
ACELERADOR		ACCELERATOR		ACCELERATORE		ACCELERATEUR	
CABLE ACELERADOR		THROTTLE CABLE		CAVO ACCELERATORE		CÂBLE ACCELERATEUR	
REF	OEM		CAMBIO SHIFT CAMBIO CHANGE				
REC43242-5	43242-5	30 HP, 2 cyl					
	43242-7	40 HP, 2 cyl					
REC43242-6	43242-6	6 HP / 8 HP / 9.9 HP, XR10			Lateral Side Laterale Lateral		
		10 Magnum, Marathon, Sea Pro					
		Viking, 15 hp Marathon, Sea Pro					
		Viking, 20 (2 cyl.), 20 Jet					
REC43242-5	86210	7.5 HP et 9.8 HP					
REC43242-9	43242-9	6 HP / 8 HP / 9.9 HP / 9.9 HP (4T)			Manual Handle Manuale Manuel		
		XR10, 10 Magnum					
REC43242-3	43242-3	13.5 HP (4T), 15 HP, 15 HP(4T)					
		15 Marathon XP, 15 Sea Pro XP					
REC43242-3	43242-3	20 (2 cyl.) 20 Jet, 25 (2 cyl.)					
REC677-26301-02	95405M	25 Marathon (2 cyl.), 25 Sea Pro (2 cyl.)					
REC6E0-26301-01	11921M	8K / W8					
		AC / A / AS					
REC6E0-26301-01	11921M	5C / CS / CMH					

SEPARADOR DE VAPOR

VAPOR SEPARATOR

SEPARATORE DI
VAPORESÉPARATEUR DE
VAPEUR

30, 40, 50, 60 HP EFI VST



	REF	OEM				UN.	
	PAF40-05100000EI	892267T03	SEPARADOR VAPOR COMPLETO	VAPOR SEPARATOR ASSY	SEPARATORE DI VAPORE	SÉPRATEUR DE VAPEUR	1
1	PAF40-05100100EI	892267T57	TAPA COMPLETA	COVER ASSY	COPERCHIO COMPLETO	COUVERCLE COMPLÈTE	1
2	PAF40-05100201EI	892267537	VÁLVULA	VALVE	VÁLVOLA	SOUPAPE	1
3	PAF40-05100202EI	883220	TAPA	CAP	TAPPO	BOUCHON	1
4	PAF40-05100301EI	892267A52	AGUJA	NEEDLE VALVE	AGHI	POINTEAU	1
5	PAF40-05100002EI	892267528	PIN BOYA	FLOAT PIN	PIN GALLEGIANTE	AXE DE FLOTEUR	1
6	PAF40-05100001EI	892267527	BOYA	FLOAT	GALLEGIANTE	FLOTEUR	1
7	PAF40-05100704EI	892267530	JUNTA	GASKET	GUARNIZIONE	JOINT	1
8	PAF40-05100701EI	892267A54	CUERPO COMPLETO	BODY ASSY	CORPO COMPLETO	RESERVOIR COMPLET	1
9	PAF40-05100703EI	892267506	TORNILLO DRENAJE	SCREW DRAIN	VITE DRENAGGIO	VIS DE VIDANGE	1
10	PAF40-05100800EI	892267A55	EMFRIADOR GASOLINA	COOLER FUEL	RAFFREDDATORE CARBURANTE	REFROIDISSEUR DE CARBURANT	1
11	PAF40-05100501EI	892267521	ADAPTADOR	RUBBER SLEEVE	ADATTATORE IN GOMMA	MANCHON CAOUTCHOUC	1
12	PAF40-05100500EI	892267A51	KIT BOMBA COMBUSTIBLE	PUMP KIT	KIT POMPA COMBUSTIBILE	KIT POMPE À ESSENCE	1
13	PAF40-05100504EI	892267510	CUBIERTA, BOMBA COMBUSTIBLE	PADDING BLOCK, FUEL PUMP	COPERCHIO POMPA COMBUSTIBILE	COUVERCLE POMPE À ESSENCE	1
14	PAF40-05100503EI	892267523	PLACA	RUBBER PAD	PIASTRA POMPA	TAMPON CAOUTCHOUC POMPE	1
15	PAF40-05100502EI	892267534	FILTRO	FILTER NET	FILTRO POMPA	FILTRE DE POMPE	1

SISTEMA ELÉCTRICO ELECTRIC SYSTEM

SISTEMA ELETTRICO SYSTÈME ÉLECTRIQUE

SENSORES	SENSORS	SENSORE	CAPTEURS
SENSOR TPS	TPS SENDER	SENSORE TPS	CAPTEUR TPS

REF	OEM	2T STROKES	4T STROKES
REC69J-85885-00	888204T	225 EFI V6 (OT653945+)	✓

new

REF	OEM	2T STROKES	4T STROKES
REC6C5-85885-00	880884001	75, 80, 90, 100 EFI	✓

new

REF	OEM	2T STROKES	4T STROKES
REC8M0125617	881070T 8M125617	30 - 150 HP	✓

new

REF	OEM	2T STROKES	4T STROKES
REC68V-85885-00	880884T	115 EFI (OT178500-1B366822)	✓

new

SENSOR MAP/MAT	MAP/MAT SENSOR	SENSORE MAP/MAT	CAPTEUR MAP/MAT
----------------	----------------	-----------------	-----------------

REF	OEM	2T STROKES	4T STROKES
REC13650-56B00	880882T	25, 30 EFI	✓

new

REF	OEM	2T STROKES	4T STROKES
REC891663001	891663001 891663	75 - 450 HP	✓

new

REF	OEM	2T STROKES	4T STROKES
REC68F-83688-00	880885001	75, 80, 90, 100 EFI	✓

new

REF	OEM	2T STROKES	4T STROKES
REC854445	854445	100 EFI, 115 EFI, 90 EFI 90, 115 DFI (3 Cyl.) 1.5 L 200 DFI (3 Cyl.) 1.5 L 200 (3.0 L DFI) (EFI) (DTS) 225 (3.0 L DFI) (EFI) (DTS) Seapro 250 (3.0 L EFI) (DFI) 40, 30 EFI (3 Cyl.) 40, 50, 60 EFI (4 Cyl.) 75 DFI (3 Cyl.) (1.5 L) 75, 80 EFI V-115 - V-175 DFI (2.5 L) V-150 - V-200 EFI (2.5 L)	✓

new



REF	OEM		2T STROKES	4T STROKES
REC68V-82380-00	880885T	115 EFI (OT178500-OT801000) 115 EFI (1B226999-1B366822) 225 EFI (OT653945+)		✓

new

REF	OEM		2T STROKES	4T STROKES
REC8M0142690	8M0142690	175 - 450 HP		✓



new

REF	OEM		2T STROKES	4T STROKES
REC8M6000639	8M6000639 8M0010248 885548002 885548001	135 - 400 HP		✓



SENSOR TEMPERATURA DEL AGUA **SENSOR, WATER TEMPERATURE**


REF	OEM		
REC12415	12415	1/8"-27NPT	30 Jet 40 / 100 / 115 (4 cyl) 40 / 50 / 60 / 70 / 75 / 80 / 90 (3 cyl) 300 (3.4L) V-50 Work / XR-2 V-135 - V-200



SENSORE TEMPERATURA ACQUA **SONDE DE TEMPERATURE**


new

REF	OEM		2T STROKES	4T STROKES
REC804295T	804295T	75, 80, 90, 100, 115 HP		✓



new

REF	OEM		2T STROKES	4T STROKES
PAF40-05000400	889575	25 - 300 HP	✓	✓




new

REF	OEM		2T STROKES	4T STROKES
REC8M0142542	8M0142542 8M0010146	135 - 450 HP VERADO		✓




new

REF	OEM		2T STROKES	4T STROKES
REC8M0148668	8M0148668 885342002 885342001	30 - 400 HP	✓	✓





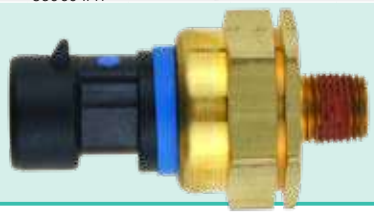
SENSOR CAUDAL AGUA WATER FLOW SENSOR SENSORE FLUSSO ACQUA CAPTEUR DE FLUX D'EAU



REF	OEM	
REC8M6000623	V-135 - V-175 DFI (2.5 L) 110 JET (2.5 L) 175 PRO XS (2.5 L)	



SENSOR PRESIÓN DE AGUA WATER PRESSURE SENSOR SENSORE PRESSIONE ACQUA SONDE DE PRESSION D'EAU


REF	OEM		STROKES		PSI
			2T	4T	
REC881879T11	881879T11 881879011 881879A6 859210T 859210 859604A1				0-100
	75 - 450 HP		✓		



REF	OEM		STROKES	
			2T	4T
REC881879T26	881879T26 881879A20 881879A19		135 - 400 HP	✓



SENSOR AGUA EN COMBUSTIBLE WATER-IN-FUEL SENSOR SENSORE ACQUA IN COMBUSTIBILE SONDE PRESENCE D'EAU


REF	OEM	
REC8M0021043	8M0021043	L6 VERADO





SENSOR PRESION DE ACEITE SENSOR, OIL PRESSURE SENSORE PRESSIONE DELL'OLIO SONDE DE PRESSION D'HUILE

REF	OEM		STROKES	
			2T	4T
PAF15-07010100	87-803538		4 - 25 hp	✓





REF	OEM		STROKES	
			2T	4T
REC8M6000637	8M6000637 8M0010469		200 - 400 HP	✓







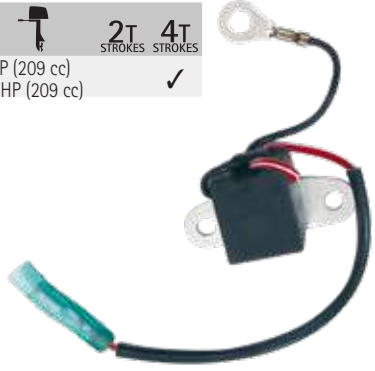

REF	OEM		STROKES	
			2T	4T
REC8M0142688	71-8M0142688		175- 450 HP	✓



REF	OEM		STROKES	
			2T	4T
REC8M6000634	8M6000634 889659002 897447002		75 - 275 HP	✓








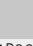



SENSOR POSICIÓN CIGUENAL		POSITION CRANCKSHAFT SENDER		SENSORE POSIZIONE ALBERO		CAPTEUR DE POSITION DE VILEBREQUIN	
REF	OEM	 2T STROKES	 4T STROKES	 2T STROKES	 4T STROKES	new	
REC16066004	16066004	8 HP (209 cc) 9.9 HP (209 cc)	✓	REC8M0082988	8M0082988 8M0030022 828358 8283582	30 - 450 HP	✓ ✓

SENSOR ÁRBOL DE LEVAS		CAMSHAFT POSITION SENDER		SENSORE ALBERO A CAMME		CAPTEUR DE POSITION D'ARBRE A CAMES	
REF	OEM	 2T STROKES	 4T STROKES	new			
REC8M0011987	8M0011987 880609	75 - 450 HP	✓				

SENSOR IAT		IAT SENSOR		SENSORE IAT		SONDE IAT	
REF	OEM	new					
REC13650-52G00	898101118						


SENSOR IAC		IAC SENSOR		SENSOR IAC		SONDE IAC	
REF	OEM	 2T STROKES	 4T STROKES	new			
REC897526T	897526T	65 - 150 HP	✓				
REF	OEM	 2T STROKES	 4T STROKES	new			
REC877805T	877805T	30 - 60 HP	✓				
REF	OEM	 2T STROKES	 4T STROKES	new			
REC881447T	881447T	115 EFI (OT178500-1B366822) 225 EFI (OT653945+)	✓				

SENSOR DE PICADO

KNOCK SENDER

SENSORE ANTIDETONAZIONE

CAPTEUR KNOCK

REF	OEM		2T	4T
REC8M6003194	8M6003194 878187	VERADO 6 CYL		✓




GUÍA SENSORES EFI

EFI SENSORS GUIDE

GUIDA SENSORE EFI

GUIDE DES SONDÉS EFI

	CYL	PICADO KNOCK ANTIDETON. KNOCK	TEMP. AGUA WATER TEMP. TEMP. ACQUA TEMP. EAU	PRESIÓN AGUA PRESS. WATER PRES. ACQUA PRESSION EAU	PRESIÓN ACEITE OIL PRESSURE PRESSIONE OLIO PRESSION HUILE	CIGÜEÑAL CRANKSHAFT ALBERO VILEBREQUIN	ARBOL LEVAS CAMSHAFT ALBERO CAMME ARBRE À CAME	IAC	MAT	MAP	TPS
10, 15, 20 EFI SEAPRO	OR832820+	2			PAF15-07010100						
25 EFI	OR106966+	3			PAF15-07010100			REC13650-52G00			
30 EFI	OP153500-OP400999	3	REC8M0148668 PAF40-05000400		PAF15-07010100	REC8M0082988		REC877805T	REC854445	REC8M0125617	
	OR106999+	3			PAF15-07010100			REC13650-52G00			
	OT409000-1B226999	3	REC8M0148668 PAF40-05000400		PAF15-07010100	REC8M0082988		REC877805T	REC854445	REC8M0125617	
	1C109093-1C456299	3	PAF40-05000400		PAF15-07010100	REC8M0082988		REC877805T	REC854445	REC8M0125617	
40 EFI	1C456300+	3	PAF40-05000400		PAF15-07010100	REC8M0082988		REC877805T	REC854445	REC8M0125617	
	OP153500-OP400999	BEL 3	REC8M0148668		PAF15-07010100	REC8M0082988		REC877805T	REC854445	REC8M0125617	
	OP401000-OP515896	BEL 3	PAF40-05000400		PAF15-07010100	REC8M0082988		REC877805T	REC854445	REC8M0125617	
	OP409000-1B226999	USA 3	REC8M0148668 PAF40-05000400		PAF15-07010100	REC8M0082988		REC877805T	REC854445	REC8M0125617	
	1B227000-1B355027	USA 3	PAF40-05000400		PAF15-07010100	REC8M0082988		REC877805T	REC854445	REC8M0125617	
	1C000001-1C043416	3	PAF40-05000400		PAF15-07010100	REC8M0082988		REC877805T	REC854445	REC8M0125617	
	1C043417-1C456299	3	PAF40-05000400		PAF15-07010100	REC8M0082988		REC877805T	REC854445	REC8M0125617	
	1C456300+	3	PAF40-05000400		PAF15-07010100	REC8M0082988		REC877805T	REC854445	REC8M0125617	
	OP153500-OP400999	BEL 4	REC8M0148668 PAF40-05000400		PAF15-07010100	REC8M0082988		REC877805T	REC854445	REC8M0125617	
	OP401000-OP515896	BEL 4	REC8M0148668 PAF40-05000400		PAF15-07010100	REC8M0082988		REC877805T	REC854445	REC8M0125617	
40 EFI & SEAPRO	OP515897-OP580772	BEL 4	REC8M0148668		PAF15-07010100	REC8M0082988		REC877805T	REC854445	REC8M0125617	
	OT409000-1B355222	USA 4	REC8M0148668 PAF40-05000400		PAF15-07010100	REC8M0082988		REC877805T	REC854445	REC8M0125617	
	1C000001-1C050251	USA 4	REC8M0148668		PAF15-07010100	REC8M0082988		REC877805T	REC854445	REC8M0125617	
	1C050252-1C453839	USA 4	REC8M0148668 PAF40-05000400		PAF15-07010100	REC8M0082988		REC877805T	REC854445	REC8M0125617	
	1C453840+	USA 4	REC8M0148668 PAF40-05000400		PAF15-07010100	REC8M0082988		REC877805T	REC854445	REC8M0125617	
	OP153500-OP400999	BEL 4	REC8M0148668 PAF40-05000400		PAF15-07010100	REC8M0082988		REC877805T	REC854445	REC8M0125617	
	OP401000-OP515896	BEL 4	REC8M0148668 PAF40-05000400		PAF15-07010100	REC8M0082988		REC877805T	REC854445	REC8M0125617	
	OP515897-OP580772	BEL 4	REC8M0148668 PAF40-05000400		PAF15-07010100	REC8M0082988		REC877805T	REC854445	REC8M0125617	
	OT409000-1B355222	USA 4	REC8M0148668 PAF40-05000400		PAF15-07010100	REC8M0082988		REC877805T	REC854445	REC8M0125617	
	1C000001-1C050251	USA 4	REC8M0148668 PAF40-05000400		PAF15-07010100	REC8M0082988		REC877805T	REC854445	REC8M0125617	
50 EFI	1C050252-1C453839	USA 4	REC8M0148668 PAF40-05000400		PAF15-07010100	REC8M0082988		REC877805T	REC854445	REC8M0125617	
	1C453840+	USA 4	REC8M0148668 PAF40-05000400		PAF15-07010100	REC8M0082988		REC877805T	REC854445	REC8M0125617	
	OP153500-OP400999	BEL 4	REC8M0148668 PAF40-05000400		PAF15-07010100	REC8M0082988		REC877805T	REC854445	REC8M0125617	
	OP401000-OP515896	BEL 4	REC8M0148668 PAF40-05000400		PAF15-07010100	REC8M0082988		REC877805T	REC854445	REC8M0125617	
	OP515897-OP580772	BEL 4	REC8M0148668 PAF40-05000400		PAF15-07010100	REC8M0082988		REC877805T	REC854445	REC8M0125617	
	OT409000-1B355222	USA 4	REC8M0148668 PAF40-05000400		PAF15-07010100	REC8M0082988		REC877805T	REC854445	REC8M0125617	
	1C000001-1C050251	USA 4	REC8M0148668 PAF40-05000400		PAF15-07010100	REC8M0082988		REC877805T	REC854445	REC8M0125617	
	1C050252-1C453839	USA 4	REC8M0148668 PAF40-05000400		PAF15-07010100	REC8M0082988		REC877805T	REC854445	REC8M0125617	
	1C453840+	USA 4	REC8M0148668 PAF40-05000400		PAF15-07010100	REC8M0082988		REC877805T	REC854445	REC8M0125617	
	OP153500-OP400999	BEL 4	REC8M0148668 PAF40-05000400		PAF15-07010100	REC8M0082988		REC877805T	REC854445	REC8M0125617	
60 EFI	OP401000-OP515896	BEL 4	REC8M0148668 PAF40-05000400		PAF15-07010100	REC8M0082988		REC877805T	REC854445	REC8M0125617	
	OP515897-OP580772	BEL 4	REC8M0148668 PAF40-05000400		PAF15-07010100	REC8M0082988		REC877805T	REC854445	REC8M0125617	
	OT409000-1B355222	USA 4	REC8M0148668 PAF40-05000400		PAF15-07010100	REC8M0082988		REC877805T	REC854445	REC8M0125617	
	1C000001-1C050251	USA 4	REC8M0148668 PAF40-05000400		PAF15-07010100	REC8M0082988		REC877805T	REC854445	REC8M0125617	
60 EFI & SEAPRO	1C050252-1C453839	USA 4	REC8M0148668 PAF40-05000400		PAF15-07010100	REC8M0082988		REC877805T	REC854445	REC8M0125617	
	1C453840+	USA 4	REC8M0148668 PAF40-05000400		PAF15-07010100	REC8M0082988		REC877805T	REC854445	REC8M0125617	
	OP153500-OP400999	BEL 4	REC8M0148668 PAF40-05000400		PAF15-07010100	REC8M0082988		REC877805T	REC854445	REC8M0125617	
	OP401000-OP515896	BEL 4	REC8M0148668 PAF40-05000400		PAF15-07010100	REC8M0082988		REC877805T	REC854445	REC8M0125617	
75 EFI	OP515897-OP580772	BEL 4	REC8M0148668 PAF40-05000400		PAF15-07010100	REC8M0082988		REC877805T	REC854445	REC8M0125617	
	OT409000-1B355222	USA 4	REC8M0148668 PAF40-05000400		PAF15-07010100	REC8M0082988		REC877805T	REC854445	REC8M0125617	
	1C000001-1C050251	USA 4	REC8M0148668 PAF40-05000400		PAF15-07010100	REC8M0082988		REC877805T	REC854445	REC8M0125617	
75 EFI & SEAPRO	1C050252-1C453839	USA 4	REC8M0148668 PAF40-05000400		PAF15-07010100	REC8M0082988		REC877805T	REC854445	REC8M0125617	
	1C453840+	USA 4	REC8M0148668 PAF40-05000400		PAF15-07010100	REC8M0082988		REC877805T	REC854445	REC8M0125617	
75 EFI	1B172291-1B366822	USA 4	REC804295T						REC68F-83688-00	REC6C5-85885-00	
	1B366823-2B094995	USA 4	REC8M0148668		REC8M6000634	REC8M0082988	REC8M0011987	REC897526T	REC891663001	REC854445	REC8M0125617
75 EFI & SEAPRO	2B095049+	4	REC8M0148668		REC8M6000634	REC8M0082988	REC897526T	REC891663001	REC854445	REC8M0125617	

MERCURY

RECAMBIOS MARINOS

			PICADO KNOCK ANTIDETON. KNOCK	TEMP. AGUA WATER TEMP. TEMP. ACQUA TEMP. EAU	PRESIÓN AGUA PRESS. WATER PRES. ACQUA PRESSION EAU	PRESIÓN ACEITE OIL PRESSURE PRESSIONE OLIO PRESSION HUILE	CIGÜENAL CRANKSHAFT ALBERO VILEBREQUIN	ARBOL LEVAS CAMSHAFT ALBERO CAMME ARBRE A CAME	IAC	MAT	MAP	TPS
80 EFI	OP459572-2B094995	BEL 4		REC8M0148668		REC8M6000634	REC8M0082988	REC8M0011987	REC897526T	REC891663001	REC8544445	REC8M0125617
	1B227000-1B366822	USA 4		REC804295T							REC68F-83688-00	REC6C5-85885-00
	1B366823-2B094995	USA 4		REC8M0148668		REC8M6000634	REC8M0082988	REC8M0011987	REC897526T	REC891663001	REC8544445	REC8M0125617
	2B095049+	4		REC8M0148668		REC8M6000634	REC8M0082988		REC897526T	REC891663001	REC8544445	REC8M0125617
90 EFI	1B172291-1B366822	USA 4		REC804295T							REC68F-83688-00	REC6C5-85885-00
	1B366823-2B094995	USA 4		REC8M0148668		REC8M6000634	REC8M0082988	REC8M0011987	REC897526T	REC891663001	REC8544445	REC8M0125617
90 EFI & SEAPRO	2B095049+	USA 4		REC8M0148668		REC8M6000634	REC8M0082988		REC897526T	REC891663001	REC8544445	REC8M0125617
100 EFI	OP459572-2B094995	BEL 4		REC8M0148668		REC8M6000634	REC8M0082988	REC8M0011987	REC897526T	REC891663001	REC8544445	REC8M0125617
	1B227000-1B366822	USA 4		REC804295T							REC68F-83688-00	REC6C5-85885-00
	1B366823-2B094995	USA 4		REC8M0148668		REC8M6000634	REC8M0082988	REC8M0011987	REC897526T	REC891663001	REC8544445	REC8M0125617
	2B095049+	USA 4		REC8M0148668		REC8M6000634	REC8M0082988		REC897526T	REC891663001	REC8544445	REC8M0125617
115 EFI	OT178500-OT800999	USA 4		REC804295T					REC881447T		REC68V-82380-00	REC68V-85885-00
	OT801000-1B226999	USA 4		REC804295T					REC881447T		REC68V-82380-00	REC68V-85885-00
	1B227000-1B366822	USA 4		REC804295T					REC881447T		REC68V-82380-00	REC68V-85885-00
	1B366823-2B094995	USA 4		REC8M0148668		REC8M6000634	REC8M0082988	REC8M0011987	REC897526T	REC891663001	REC8544445	REC8M0125617
115 EFI & SEAPRO (XS)	2B095049+	4		REC8M0148668		REC8M6000634	REC8M0082988		REC897526T	REC891663001	REC8544445	REC8M0125617
135	2B131942+	4		REC8M0148668		REC8M6000634	REC8M0082988		REC897526T	REC891663001	REC8544445	REC8M0125617
135 VERADO	OP419487-OP464487	BEL 4	REC8M6003194	REC8M0148668		REC8M6000634	REC8M0082988	REC8M0011987		REC891663001	REC8M6000639	
	OP464488-OP514868	BEL 4	REC8M6003194	REC8M0142542	REC881879T26	REC8M6000634	REC8M0082988	REC8M0011987		REC891663001	REC8M6000639	
	OP514869-OP593020	BEL 4	REC8M6003194	REC8M0142542	REC881879T26	REC8M6000634	REC8M0082988	REC8M0011987		REC891663001	REC8M6000639	
	1B227000-1B381711	USA 4	REC8M6003194	REC8M0148668	REC881879T26	REC8M6000634	REC8M0082988	REC8M0011987		REC891663001	REC8M6000639	
	1B381712-1B517158	USA 4	REC8M6003194	REC8M0148668	REC881879T26	REC8M6000634	REC8M0082988	REC8M0011987		REC891663001	REC8M6000639	
	1B517159-2B576734	USA 4	REC8M6003194	REC8M0142542	REC881879T26	REC8M6000634	REC8M0082988	REC8M0011987		REC891663001	REC8M6000639	
150	1B905505+	4		REC8M0148668		REC8M6000634	REC8M0082988		REC897526T	REC891663001	REC8544445	REC8M0125617
150 SEAPRO	2B139139+	4		REC8M0148668		REC8M6000634	REC8M0082988		REC897526T	REC891663001	REC8544445	REC8M0125617
150 Pro XS	2B550139+	4		REC8M0148668		REC8M6000634	REC8M0082988		REC897526T	REC891663001	REC8544445	REC8M0125617
150 VERADO	OP419487-OP464487	BEL 4	REC8M6003194	REC8M0148668	REC881879T26	REC8M6000634	REC8M0082988	REC8M0011987		REC891663001	REC8M6000639	
	OP464488-OP514868	BEL 4	REC8M6003194	REC8M0148668	REC881879T26	REC8M6000634	REC8M0082988	REC8M0011987		REC891663001	REC8M6000639	
	OP514869-OP593020	BEL 4	REC8M6003194	REC8M0142542	REC881879T26	REC8M6000634	REC8M0082988	REC8M0011987		REC891663001	REC8M6000639	
	1B227000-1B381711	USA 4	REC8M6003194	REC8M0148668	REC881879T26	REC8M6000634	REC8M0082988	REC8M0011987		REC891663001	REC8M6000639	
	1B381712-1B517158	USA 4	REC8M6003194	REC8M0148668	REC881879T26	REC8M6000634	REC8M0082988	REC8M0011987		REC891663001	REC8M6000639	
	1B517159-2B576734	USA 4	REC8M6003194	REC8M0142542	REC881879T26	REC8M6000634	REC8M0082988	REC8M0011987		REC891663001	REC8M6000639	
175 VERADO	OP419487-OP464487	BEL 4	REC8M6003194	REC8M0148668	REC881879T26	REC8M6000634	REC8M0082988	REC8M0011987		REC891663001	REC8M6000639	
	OP464488-OP514868	BEL 4	REC8M6003194	REC8M0142542	REC881879T26	REC8M6000634	REC8M0082988	REC8M0011987		REC891663001	REC8M6000639	
	OP514869-OP593020	BEL 4	REC8M6003194	REC8M0148668	REC881879T26	REC8M6000634	REC8M0082988	REC8M0011987		REC891663001	REC8M6000639	
	1B227000-1B381711	USA 4	REC8M6003194	REC8M0148668	REC881879T26	REC8M6000634	REC8M0082988	REC8M0011987		REC891663001	REC8M6000639	
	1B381712-1B517158	USA 4	REC8M6003194	REC8M0148668	REC881879T26	REC8M6000634	REC8M0082988	REC8M0011987		REC891663001	REC8M6000639	
	1B517159-2B576734	USA 4	REC8M6003194	REC8M0142542	REC881879T26	REC8M6000634	REC8M0082988	REC8M0011987		REC891663001	REC8M6000639	
175 (3.4L) V6 & Pro XS	2B529482+	USA 6		REC8M0142542	REC881879T11	REC8M0142688	REC8M0082988	REC8M0011987		REC891663001	REC8M6000639	
200 VERADO	OP514869-OP593020	BEL 4	REC8M6003194	REC8M0148668	REC881879T26	REC8M6000634	REC8M0082988	REC8M0011987		REC891663001	REC8M6000639	
	1B517159-2B576734	USA 4	REC8M6003194	REC8M0148668	REC881879T26	REC8M6000634	REC8M0082988	REC8M0011987		REC891663001	REC8M6000639	
	OP409357-OP464487	BEL 6	REC8M6003194	REC8M0148668	REC881879T26	REC8M6000634	REC8M0082988	REC8M0011987		REC891663001	REC8M6000639	
	OP464488-OP520552	BEL 6	REC8M6003194	REC8M0148668	REC881879T26	REC8M6000637	REC8M0082988	REC8M0011987		REC891663001	REC8M6000639	
	OP520553-2B144122	BEL 6	REC8M6003194	REC8M0142542	REC881879T26	REC8M6000637	REC8M0082988	REC8M0011987		REC891663001	REC8M6000639	
	OT980000-1B226999	USA 6	REC8M6003194	REC8M0148668	REC881879T26	REC8M6000634	REC8M0082988	REC8M0011987		REC891663001	REC8M6000639	
	1B227000-1B381711	USA 6	REC8M6003194	REC8M0148668	REC881879T26	REC8M6000634	REC8M0082988	REC8M0011987		REC891663001	REC8M6000639	
	1B381712-1B517433	USA 6	REC8M6003194	REC8M0148668	REC881879T26	REC8M6000637	REC8M0082988	REC8M0011987		REC891663001	REC8M6000639	
	1B517434-2B144122	USA 6	REC8M6003194	REC8M0148668	REC881879T26	REC8M6000637	REC8M0082988	REC8M0011987		REC891663001	REC8M6000639	
	2B144123-2B578935	USA 6	REC8M6003194	REC8M0142542	REC881879T26	REC8M6000637	REC8M0082988	REC8M0011987		REC891663001	REC8M6000639	
200 Pro VERAD	2B034840-2B144122	6	REC8M6003194	REC8M0148668	REC881879T26	REC8M6000637	REC8M0082988	REC8M0011987		REC891663001	REC8M6000639	
200 (3.4L) V6 & SEAPRO	2B529482+	USA 6		REC8M0142542	REC881879T11	REC8M0142688	REC8M0082988	REC8M0011987		REC891663001	REC8M0142690	
200 (4.6L) V8 PRO XS	2B529482+	USA 8		REC8M0142542	REC881879T11	REC8M0142688	REC8M0082988	REC8M0011987		REC891663001	REC8M0142690	
225 EFI	OT653945+	USA 6							REC881447T	REC13650-56B00	REC68V-82380-00	REC69J-85885-00

MOTOR	CYL	PICADO KNOCK ANTIDETON. KNOCK	TEMP. AGUA WATER TEMP. TEMP. ACQUA TEMP. EAU	PRESIÓN AGUA PRESS. WATER PRES. ACQUA PRESSION EAU	PRESIÓN ACEITE OIL PRESSURE PRESSIONE OLIO PRESSION HUILE	CIGÜENAL CRANKSHAFT ALBERGO VILEBREQUIN	ARBOL LEVAS CAMSHAFT ALBERO CAMME ARBRE A CAME	IAC	MAT	MAP	TPS
225 VERADO	OP409357- OP464487	BEL 6	REC8M6003194	REC8M0148668	REC881879T26	REC8M6000634	REC8M0082988	REC8M0011987	REC891663001	REC8M6000639	
	OP464488- OP520552	BEL 6	REC8M6003194	REC8M0148668 REC8M0142542	REC881879T26	REC8M6000637	REC8M0082988	REC8M0011987	REC891663001	REC8M6000639	
	OP520553- 2B144122	BEL 6	REC8M6003194	REC8M0148668 REC8M0142542	REC881879T26	REC8M6000637	REC8M0082988	REC8M0011987	REC891663001	REC8M6000639	
	0T980000- 1B226999	USA 6	REC8M6003194	REC8M0148668	REC881879T26	REC8M6000634	REC8M0082988	REC8M0011987	REC891663001	REC8M6000639	
	1B227000- 1B381711	USA 6	REC8M6003194	REC8M0148668	REC881879T26	REC8M6000634	REC8M0082988	REC8M0011987	REC891663001	REC8M6000639	
	1B381712- 1B517433	USA 6	REC8M6003194	REC8M0148668 REC8M0142542	REC881879T26	REC8M6000637	REC8M0082988	REC8M0011987	REC891663001	REC8M6000639	
	1B517434- 2B144122	USA 6	REC8M6003194	REC8M0148668 REC8M0142542	REC881879T26	REC8M6000637	REC8M0082988	REC8M0011987	REC891663001	REC8M6000639	
	2B144123- 2B578935	USA 6		REC8M0148668 REC8M0142542	REC881879T26	REC8M6000637	REC8M0082988	REC8M0011987	REC891663001	REC8M6000639	
	2B529482+	USA 6		REC8M0142542	REC881879T11	REC8M0142688	REC8M0082988	REC8M0011987	REC891663001	REC8M0142690	
	225 (3.4L) V6 Et SEA PRO 225 (4.6L) V8 PRO XS	2B529482+	USA 8		REC8M0142542	REC881879T11	REC8M0142688	REC8M0082988	REC8M0011987	REC891663001	REC8M0142690
250 VERADO	OP409357- OP464487	BEL 6	REC8M6003194	REC8M0148668	REC881879T26	REC8M6000634	REC8M0082988	REC8M0011987	REC891663001	REC8M6000639	
	OP464488- OP520552	BEL 6	REC8M6003194	REC8M0148668 REC8M0142542	REC881879T26	REC8M6000637	REC8M0082988	REC8M0011987	REC891663001	REC8M6000639	
	OP520553- 2B144122	BEL 6	REC8M6003194	REC8M0148668 REC8M0142542	REC881879T26	REC8M6000637	REC8M0082988	REC8M0011987	REC891663001	REC8M6000639	
	0T980000- 1B226999	USA 6	REC8M6003194	REC8M0148668	REC881879T26	REC8M6000634	REC8M0082988	REC8M0011987	REC891663001	REC8M6000639	
	1B227000- 1B381711	USA 6	REC8M6003194	REC8M0148668	REC881879T26	REC8M6000634	REC8M0082988	REC8M0011987	REC891663001	REC8M6000639	
	1B381712- 1B517433	USA 6	REC8M6003194	REC8M0148668 REC8M0142542	REC881879T26	REC8M6000637	REC8M0082988	REC8M0011987	REC891663001	REC8M6000639	
	1B517434- 2B144122	USA 6	REC8M6003194	REC8M0148668 REC8M0142542	REC881879T26	REC8M6000637	REC8M0082988	REC8M0011987	REC891663001	REC8M6000639	
	2B144123- 2B578935	USA 6		REC8M0148668 REC8M0142542	REC881879T26	REC8M6000637	REC8M0082988	REC8M0011987	REC891663001	REC8M6000639	
	1B830170- 2B144122	6	REC8M6003194	REC8M0148668 REC8M0142542	REC881879T26	REC8M6000637	REC8M0082988	REC8M0011987	REC891663001	REC8M6000639	
	2B144123- 2B577715	USA 6		REC8M0148668 REC8M0142542	REC881879T26	REC8M6000637	REC8M0082988	REC8M0011987	REC891663001	REC8M6000639	
250 (4.6L) V8 VERADO, SEA- PRO Et PRO XS 250 (4.6L) V8 RACING	2B529482 +	USA 8		REC8M0142542	REC881879T11	REC8M0142688	REC8M0082988	REC8M0011987	REC891663001	REC8M0142690	
275 VERADO	1E080500+	USA 8		REC8M0142542	REC881879T11	REC8M0142688	REC8M0082988	REC8M0011987	REC891663001	REC8M0142690	
	OP409357- OP464487	BEL 6	REC8M6003194	REC8M0148668	REC881879T26	REC8M6000634	REC8M0082988	REC8M0011987	REC891663001	REC8M6000639	
	OP464488- OP520552	BEL 6	REC8M6003194	REC8M0148668 REC8M0142542	REC881879T26	REC8M6000637	REC8M0082988	REC8M0011987	REC891663001	REC8M6000639	
	OP520553- 2B144122	BEL 6	REC8M6003194	REC8M0148668 REC8M0142542	REC881879T26	REC8M6000637	REC8M0082988	REC8M0011987	REC891663001	REC8M6000639	
	0T980000- 1B226999	USA 6	REC8M6003194	REC8M0148668	REC881879T26	REC8M6000634	REC8M0082988	REC8M0011987	REC891663001	REC8M6000639	
	1B227000- 1B381711	USA 6	REC8M6003194	REC8M0148668	REC881879T26	REC8M6000634	REC8M0082988	REC8M0011987	REC891663001	REC8M6000639	
	1B381712- 1B517433	USA 6	REC8M6003194	REC8M0148668 REC8M0142542	REC881879T26	REC8M6000637	REC8M0082988	REC8M0011987	REC891663001	REC8M6000639	
	1B517434- 2B144122	USA 6	REC8M6003194	REC8M0148668 REC8M0142542	REC881879T26	REC8M6000637	REC8M0082988	REC8M0011987	REC891663001	REC8M6000639	
	2B144123- 2B578935	USA 6		REC8M0148668 REC8M0142542	REC881879T26	REC8M6000637	REC8M0082988	REC8M0011987	REC891663001	REC8M6000639	
	OP520553- 2B144122	BEL 6	REC8M6003194	REC8M0148668 REC8M0142542	REC881879T26	REC8M6000637	REC8M0082988	REC8M0011987	REC891663001	REC8M6000639	
300 VERADO	1B517434- 2B144122	USA 6	REC8M6003194	REC8M0148668 REC8M0142542	REC881879T26	REC8M6000637	REC8M0082988	REC8M0011987	REC891663001	REC8M6000639	
	2B144123- 2B578935	USA 6		REC8M0148668 REC8M0142542	REC881879T26	REC8M6000637	REC8M0082988	REC8M0011987	REC891663001	REC8M6000639	
	1B830170- 2B144122	6	REC8M6003194	REC8M0148668 REC8M0142542	REC881879T26	REC8M6000637	REC8M0082988	REC8M0011987	REC891663001	REC8M6000639	
	2B144123- 2B577715	USA 6		REC8M0148668 REC8M0142542	REC881879T26	REC8M6000637	REC8M0082988	REC8M0011987	REC891663001	REC8M6000639	
	300 (4.6L) V8 VERADO, SEA- PRO Et PRO XS	2B529482 +	USA 8		REC8M0142542	REC881879T11	REC8M0142688	REC8M0082988	REC8M0011987	REC891663001	REC8M0142690
	300 (4.6L) V8 RACING	1E080500+	USA 8		REC8M0142542	REC881879T11	REC8M0142688	REC8M0082988	REC8M0011987	REC891663001	REC8M0142690
	350SCi VERADO	1B716557- 2B143542	6		REC8M0148668 REC8M0142542	REC881879T26	REC8M6000634 REC8M6000637	REC8M0082988	REC8M0011987	REC891663001	REC8M6000639
	350 (2.6L) L6 VERADO	2B141617 +	USA 6		REC8M0148668 REC8M0142542	REC881879T26	REC8M6000637	REC8M0082988	REC8M0011987	REC891663001	REC8M6000639
	350 (2.6L) L6 PRO VERADO	2B141124 +	USA 6		REC8M0148668 REC8M0142542	REC881879T26	REC8M6000637	REC8M0082988	REC8M0011987	REC891663001	REC8M6000639
	400 (2.6L) L6 VERADO	2B618256 +	USA 6		REC8M0148668 REC8M0142542	REC881879T26	REC8M6000637	REC8M0082988	REC8M0011987	REC891663001	REC8M6000639
400R (2.6L) L6 RACING	2B141124 +	USA 6		REC8M0148668 REC8M0142542	REC881879T26	REC8M6000637	REC8M0082988	REC8M0011987	REC891663001	REC8M6000639	
450 (4.6L) V8 RACING	2B529482 +	USA 8		REC8M0142542	REC881879T11	REC8M0142688	REC8M0082988	REC8M0011987	REC891663001	REC8M0142690	

BOBINAS

COILS

BOBINE

BOBINES

BOBINA DE CARGA


CHARGE COIL

BOBINA DI CARICA

BOBINE DE CHARGE

REF	OEM		2T STROKES	4T STROKES
REC803702	803702T			✓



REF	OEM		2T STROKES	4T STROKES
PAF8-05090000W	855944T01		8, 9,9 HP (209cc)	✓




BOBINA DE IGNICIÓN


IGNITION COIL

BOBINA AVVIAMENTO


BOBINE D'ALLUMAGE

REF	OEM		2T STROKES	4T STROKES
REC61N-85570-01	823033		2.5, 3, 3.3 HP USA (0T894577+) BEL (0P401000+)	✓




REF	OEM		2T STROKES	4T STROKES
PAF15-07000600	855685T		8 HP (BONDENSE) 9.9 HP (323 cc) 13.5 HP (inter.) 15 HP	✓




REF	OEM		2T STROKES	4T STROKES
REC815113T02	815113T02 16064A1 16064 16064A3		4, 5 HP (1 cyl)	✓




new

REF	OEM		2T STROKES	4T STROKES
REC803844T01	339-803844T01		8, 9,9 HP (209 cc)	✓



REF	OEM		2T STROKES	4T STROKES
REC6E7-85570-19	95188T		MARINER 8K, K40 HP (2 cyl)	✓



REF	OEM		2T STROKES	4T STROKES
REC8M0071855	339-803706A1		9.9, 15, 18 HP (inter.) 2 cyl	✓



REF	OEM	2T STROKES	4T STROKES
PAF8-05000500	339-803559A02	8, 9.9 HP USA (OR042475+) BEL (OP325500+)	✓

REF	OEM	2T STROKES	4T STROKES
REC3G2-06040-2	160643	25, 30 HP (inter) 2 cyl	✓

REF	OEM	2T STROKES	4T STROKES
REC8M0134472	8M0134472	9.9 HP EFI (1R008146+) 10, 15, 20 HP EFI (OR833820+) (2 cyl)	✓

REF	OEM	2T STROKES	4T STROKES
PAF25-05120000	339-859738T1	25 HP (2 cyl) 40, 50, 60 HP (4 cyl)	✓

REF	OEM	2T STROKES	4T STROKES
REC300-08309	339-7370A13	10 - 220 HP XR-4, XR-6, XR10	✓

REF	OEM	2T STROKES	4T STROKES
REC8M0045124	8M0045124	30, 40 EFI (3cyl)	✓

REF	OEM	2T STROKES	4T STROKES
PAF20-05000400	339-879147T1	F10, F15, F20 (OR235168+)	✓

REF	OEM	2T STROKES	4T STROKES
REC339-877807A2	339-877807A2	30, 40 EFI (3cyl) 40, 50, 60 EFI (4 cyl)	✓

REF	OEM	2T STROKES	4T STROKES
REC6R3-85570-01	339-898103T	25, 30 HP EFI (3 cyl) (OR106999+)	✓

REF	OEM	2T STROKES	4T STROKES
PAF40-05000200	339-858942T1	30 HP, 40 HP (OP153500+) 3 cyl Carb.	✓

REF	OEM		USA	BEL	2T STROKES	4T STROKES	
REC300-8M0077471	339-8M0077471 339-879984A01 339-879984T01 339-879984T00		75 DFI (3 Cyl) (1.5L)	OT980000 +		✓	
			80 Jet (3 Cyl) (1.5L)	1B586067 +			
			90 DFI (3 Cyl) (1.5L)	OT801000 +			
			115 DFI (3 Cyl) (1.5L)	OT801000 +			
			115 Pro Xs (3 Cyl) (1.5L)	1B751825			
			125 DFI (3 Cyl) (1.5L)	1B736885			
			200 (DFI) 3.0L	1B504989 - 1B912785			
			200 Pro Xs (DFI) 3.0L	1B504989 - 1B912785			
			200 (DFI) 3.0L	1B504989 +			
			200 (DFI) 3.0L	1B528615 +			
			30 EFI (3 Cyl)	OT409000 - 1B226999	OP153500 - OP400999		✓
			40 EFI (3 Cyl)	OT409000 +	OP153500 - OPP515896		✓
40, 50, 60 EFI (4 Cyl)	OT409000 +	OP153500 +		✓			



REF	OEM		2T STROKES	4T STROKES
REC300-8M0044991	300-8M0044991	35- 450 HP		✓



REF	OEM		2T STROKES	4T STROKES
REC398-173	398-173	60 - 250 HP		✓



REF	OEM		2T STROKES	4T STROKES
REC339-825101T	339-825101T	40 HP Italy 45 HP Bodensee 50 HP Bigfoot USA (OG760300-OT178499) BEL (OP017000-OP094499)		✓



REF	OEM		2T STROKES	4T STROKES
REC339-880615T01	339-880615T01	75, 80, 90, 100, 115 HP EFI 135 - 400 Verado		✓



REF	OEM		2T STROKES	4T STROKES
REC67F-85570-00	339-804271T	75, 90 HP (OG960500 - OT800999)		✓



REF	OEM		2T STROKES	4T STROKES
REC697-85570-00	97077M	MARINER 55, 60, W48 (2 cyl)		✓



REF	OEM		2T STROKES	4T STROKES
REC339-8M0077473	339-8M0077473 339-883778A01 339-883778A02	110 Jet (2.5 L), 150 ProXS (2.5L) (1B690542+)		
		200 (3.0L DFI)		
		DTS, 200 (DFI) 3.0L, 200 ProXS (DFI) 3.0L (1B504989+)		✓
		225 (3.0L DFI) DTS, 225 (DFI) 3.0L (1B504989+)		
		250 (DFI) 3.0L (1B528615+)		



REF	OEM		2T STROKES	4T STROKES
REC300-08310	339-85699A1	200 DFI, 225DFI, V135DFI (2.5L), V150DFI (2.5L), 3.0 DFI		✓





REF	OEM		2T STROKES	4T STROKES
REC1463-9382	32193A2 806529A1	800 (6 cyl)		✓

Usar con resistencia externa.
Use external resistor.
Utilizzare con resistenza esterna.
Utiliser avec une résistance externe.



MÓDULO CMD	CMD MODULE	MODULO CMD	MODULE CMD
------------	------------	------------	------------

REF	OEM		2T STROKES	4T STROKES
REC827509A10	827509A10,T7	30 - 250 HP (1997+) (3 & 4 cyl)		✓



BOBINA DE EXCITACIÓN	COIL EXCITER	BOBINA LUCE	BOBINE D'EXCITATION
----------------------	--------------	-------------	---------------------

REF	OEM		2T STROKES	4T STROKES
REC16058	16058T	4, 5 HP - 1cyl.		✓



REF	OEM		2T STROKES	4T STROKES
PAF8-05000300	803844T01	8, 9.9 HP (209cc)		✓



GUÍA DE BOBINAS	COIL GUIDE	GUIDA BOBINA	GUIDE DE BOBINE
-----------------	------------	--------------	-----------------

		CYL	REF
10 EFI, 15 EFI 15EFI SEAPRO 20EFI	OR832820 +	2	REC8M0134472
25 EFI	OR106966 +	3	REC6R3-85570-01
30 EFI	OP153500 -OP400999	3	REC339-877807A2 REC300-8M0077471
30 EFI	OR106999 +	3	REC6R3-85570-01
30 EFI	OT409000 - 1B226999	3	REC339-877807A2 REC300-8M0077471
30 EFI	1C109093 - 1C456299	3	REC300-8M0077471 REC8M0045124
30 EFI	1C456300 +	3	REC8M0045124
40 EFI	OP153500 -OP400999	BEL 3	REC339-877807A2 REC300-8M0077471
40 EFI	OP401000 - OP515896	BEL 3	REC300-8M0077471
40 EFI	OP409000 - 1B226999	USA 3	REC339-877807A2 REC300-8M0077471
40 EFI	1B227000 - 1B355027	USA 3	REC300-8M0077471
40 EFI	1C000001 - 1C043416	3	REC300-8M0077471
40 EFI	1C043417 - 1C456299	3	REC300-8M0077471 REC8M0045124
40 EFI	1C456300 +	3	REC8M0045124

		CYL	REF
40 EFI	OP153500 - OP400999	BEL 4	REC339-877807A2 REC300-8M0077471
40 EFI	OP401000 - OP515896	BEL 4	REC300-8M0077471
40EFI	OP515897 - OP580772	BEL 4	REC300-8M0077471 REC300-8M0044991
40 EFI	OT409000 - 1B355222	USA 4	REC339-877807A2 REC300-8M0077471
40 EFI	1C000001 - 1C050251	USA 4	REC300-8M0077471
40 EFI	1C050252 - 1C453839	USA 4	REC300-8M0077471 REC300-8M0044991
40 EFI & SEAPRO	1C453840 +	USA 4	REC300-8M0044991
50 EFI	OP153500 - OP400999	BEL 4	REC339-877807A2 REC300-8M0077471
50 EFI	OP401000 - OP515896	BEL 4	REC300-8M0077471
50 EFI	OP515897 - OP580772	BEL 4	REC300-8M0077471 REC300-8M0044991
50 EFI	OT409000 - 1B355222	USA 4	REC339-877807A2 REC300-8M0077471
50 EFI	1C000001 - 1C050251	USA 4	REC300-8M0077471
50 EFI	1C050252 - 1C453839	USA 4	REC300-8M0077471 REC300-8M0044991
50 EFI	1C453840 +	USA 4	REC300-8M0044991

			CYL	REF
60 EFI	OP153500 - OP400999	BEL	4	REC339-877807A2 REC300-8M0077471
60 EFI	OP401000 - OP515896	BEL	4	REC300-8M0077471
60 EFI	OP515897 - OP580772	BEL	4	REC300-8M0077471 REC300-8M0044991
60 EFI	OT409000 - 1B355222	USA	4	REC339-877807A2 REC300-8M0077471
60 EFI	1C000001 - 1C050251	USA	4	REC300-8M0077471
60 EFI	1C050252 - 1C453839	USA	4	REC300-8M0044991
60 EFI & SEAPRO	1C453840 +	USA	4	REC300-8M0044991
75 EFI	1B366823 - 2B094995	USA	4	REC339-880615T01
75 EFI & SEAPRO	2B095049 +		4	REC300-8M0044991
80 EFI	OP459572 - 2B094995	BEL	4	REC339-880615T01
80 EFI	1B366823 - 2B094995	USA	4	REC339-880615T01
80 EFI	2B095049 +		4	REC300-8M0044991
90 EFI	1B366823 - 2B094995	USA	4	REC339-880615T01
90 EFI & SEAPRO	2B095049 +	USA	4	REC300-8M0044991
100 EFI	OP459572 - 2B094995	BEL	4	REC339-880615T01
100 EFI	1B366823 - 2B094995	USA	4	REC339-880615T01
100 EFI	2B095049 +	USA	4	REC300-8M0044991
115 EFI	1B366823 - 2B094995	USA	4	REC339-880615T01
115 EFI & SEAPRO (XS)	2B095049 +		4	REC300-8M0044991
135	2B131942 +		4	REC300-8M0044991
135 VERADO	OP419487 - OP464487	BEL	4	REC339-880615T01
135 VERADO	OP464488 - OP514868	BEL	4	REC339-880615T01
135 VERADO	OP514869 - OP593020	BEL	4	REC339-880615T01
135 VERADO	1B227000 - 1B381711	USA	4	REC339-880615T01
135 VERADO	1B381712 - 1B517158	USA	4	REC339-880615T01
135 VERADO	1B517159 - 2B576734	USA	4	REC339-880615T01
150	1B905505 +		4	REC300-8M0044991
150 SEAPRO	2B139139 +		4	REC300-8M0044991
150 Pro XS	2B550139 +		4	REC300-8M0044991
150 VERADO	OP419487 - OP464487	BEL	4	REC339-880615T01
150 VERADO	OP464488 - OP514868	BEL	4	REC339-880615T01
150 VERADO	OP514869 - OP593020	BEL	4	REC339-880615T01
150 VERADO	1B227000 - 1B381711	USA	4	REC339-880615T01
150 VERADO	1B381712 - 1B517158	USA	4	REC339-880615T01
150 VERADO	1B517159 - 2B576734	USA	4	REC339-880615T01
175 VERADO	OP419487 - OP464487	BEL	4	REC339-880615T01
175 VERADO	OP464488 - OP514868	BEL	4	REC339-880615T01
175 VERADO	OP514869 - OP593020	BEL	4	REC339-880615T01
175 VERADO	1B227000 - 1B381711	USA	4	REC339-880615T01
175 VERADO	1B381712 - 1B517158	USA	4	REC339-880615T01
175 VERADO	1B517159 - 2B576734	USA	4	REC339-880615T01
175 (3.4L) V6 & Pro XS	2B529482 +	USA	6	REC300-8M0044991
200 VERADO	OP514869 - OP593020	BEL	4	REC339-880615T01
200 VERADO	1B517159 - 2B576734	USA	4	REC339-880615T01
200 VERADO	OP409357 - OP464487	BEL	6	REC339-880615T01
200 VERADO	OP464488 - OP520552	BEL	6	REC339-880615T01
200 VERADO	OP520553 - 2B144122	BEL	6	REC339-880615T01
200 VERADO	OT980000 - 1B226999	USA	6	REC339-880615T01
200 VERADO	1B227000 - 1B381711	USA	6	REC339-880615T01
200 VERADO	1B381712 - 1B517433	USA	6	REC339-880615T01
200 VERADO	1B517434 - 2B144122	USA	6	REC339-880615T01
200 VERADO	2B144123 - 2B578935	USA	6	REC339-880615T01

			CYL	REF
200 Pro VERADO	2B034840 - 2B144122		6	REC339-880615T01
200 Pro VERADO	2B144123 - 2B577715		6	REC339-880615T01
200 (3.4L) V6 & SEAPRO	2B529482 +	USA	6	REC300-8M0044991
200 (4.6L) V8 PRO XS	2B529482 +	USA	8	REC300-8M0044991
225 EFI	OT653945 +	USA	6	
225 VERADO	OP409357 - OP464487	BEL	6	REC339-880615T01
225 VERADO	OP464488 - OP520552	BEL	6	REC339-880615T01
225 VERADO	OP520553 - 2B144122	BEL	6	REC339-880615T01
225 VERADO	OT980000 - 1B226999	USA	6	REC339-880615T01
225 VERADO	1B227000 - 1B381711	USA	6	REC339-880615T01
225 VERADO	1B381712 - 1B517433	USA	6	REC339-880615T01
225 VERADO	1B517434 - 2B144122	USA	6	REC339-880615T01
225 VERADO	2B144123 - 2B578935	USA	6	REC339-880615T01
225 (3.4L) V6 & SEAPRO	2B529482 +	USA	6	REC300-8M0044991
225 (4.6L) V8 PRO XS	2B529482 +	USA	8	REC300-8M0044991
250 VERADO	OP409357 - OP464487	BEL	6	REC339-880615T01
250 VERADO	OP464488 - OP520552	BEL	6	REC339-880615T01
250 VERADO	OP520553 - 2B144122	BEL	6	REC339-880615T01
250 VERADO	OT980000 - 1B226999	USA	6	REC339-880615T01
250 VERADO	1B227000 - 1B381711	USA	6	REC339-880615T01
250 VERADO	1B381712 - 1B517433	USA	6	REC339-880615T01
250 VERADO	1B517434 - 2B144122	USA	6	REC339-880615T01
250 VERADO	2B144123 - 2B578935	USA	6	REC339-880615T01
250 PRO VERADO	1B830170 - 2B144122		6	REC339-880615T01
250 PRO VERADO	2B144123 - 2B577715	USA	6	REC339-880615T01
250 (4.6L) V8, VERADO, SEAPRO & PRO XS	2B529482 +	USA	8	REC300-8M0044991
250 (4.6L) V8 RACING	1E080500+	USA	8	REC300-8M0044991
275 VERADO	OP409357 - OP464487	BEL	6	REC339-880615T01
275 VERADO	OP464488 - OP520552	BEL	6	REC339-880615T01
275 VERADO	OP520553 - 2B144122	BEL	6	REC339-880615T01
275 VERADO	OT980000 - 1B226999	USA	6	REC339-880615T01
275 VERADO	1B227000 - 1B381711	USA	6	REC339-880615T01
275 VERADO	1B381712 - 1B517433	USA	6	REC339-880615T01
275 VERADO	1B517434 - 2B144122	USA	6	REC339-880615T01
275 VERADO	2B144123 - 2B578935	USA	6	REC339-880615T01
300 VERADO	OP520553 - 2B144122	BEL	6	REC339-880615T01
300 VERADO	1B517434 - 2B144122	USA	6	REC339-880615T01
300 VERADO	2B144123 - 2B578935	USA	6	REC339-880615T01
300 PRO VERADO	1B830170 - 2B144122		6	REC339-880615T01
300 PRO VERADO	2B144123 - 2B577715	USA	6	REC339-880615T01
300 (4.6L) V8, VERADO, SEAPRO & PRO XS	2B529482 +	USA	8	REC300-8M0044991
300 (4.6L) V8 RACING	1E080500+	USA	8	REC300-8M0044991
350SCi VERADO	1B716557 - 2B143542		6	REC339-880615T01
350 2.6L L6 VERADO	2B141617 +	USA	6	REC339-880615T01
350 2.6L L6 PRO VERADO	2B141124 +	USA	6	REC339-880615T01
400 2.6L L6 VERADO	2B618256 +	USA	6	REC339-880615T01
400R 2.6L L6 RACING	2B141124 +	USA	6	REC339-880615T01
450 4.6L V8 RACING	2B529482 +	USA	8	REC300-8M0044991

BUJÍAS

SPARK PLUG

CANDELE

BOUGIES

MERCURY

4T
STROKES

				RO OEM	NGK	NGK IRIIDIUM	CHAMPION
2.5 HP 85cc 1 cyl	2006-11				NGKDCPR6E		CHARA8HC
2.5 HP		JPN	OR131842 +	33-803507	NGKDCPR6E		
3.5 HP 85cc 1cyl	2006-11				NGKDCPR6E	NGKDCPR6EIX	CHARA8HC
3.5 HP		JPN	OR131842 +	33-803507	NGKDCPR6E		
4 HP 123cc 1 cyl	2000-11				NGKDCPR6E	NGKDCPR6EIX	CHARA8HC
4 HP		JPN	OR000001 +	33-803507	NGKDCPR6E		
4 HP		BEL	OP073456 +	33-803507	NGKDCPR6E		
5 HP 123 cc 1 cyl	2000-11				NGKDCPR6E	NGKDCPR6EIX	CHARA8HC
5 HP		JPN	OR000001 +	33-803507	NGKDCPR6E		
5 HP		BEL	OP073456 +	33-803507	NGKDCPR6E		
6 HP 123cc 1 cyl	2000-11				NGKDCPR6E	NGKDCPR6EIX	CHARA8HC
6 HP		JPN	OR000001 +	33-803507	NGKDCPR6E		
6 HP		BEL	OP073456 +	33-803507	NGKDCPR6E		
8 HP 208cc 2 cyl	2005-11				NGKDCPR6E	NGKDCPR6EIX	CHARA8HC
8 Bodensee		USA	OH000058 - OH017349	33-827859	NGKCR6HS		
8 Bodensee		USA	OG760300 - OT178499	33-827859	NGKCR6HS		
8 Bodensee		BEL	OP086824 - OP325499	33-827858Q	NGKDCPR6EA-9		
8 HP		JPN	OR042475 +	33-803507	NGKDCPR6E		
8 HP		BEL	OP325500 +	33-803507	NGKDCPR6E		
9.9	1999-02				NGKDCPR6EA-9		CHARA8HC
9.9	1995-98				NGKCR6HS		
9.9 HP, Bigfoot, Prockicker 208cc 2cyl	2001-11				NGKDCPR6E	NGKDCPR6EIX	CHARA8HC
9.9 HP		USA	OH000058 - OH016909	33-827859	NGKCR6HS		
9.9 HP		USA	OG760300 - OT979999	33-827858Q	NGKDCPR6EA-9		
9.9 HP		BEL	OP075166 - OP325499	33-827858Q	NGKDCPR6EA-9		
9.9 HP		JPN	OR042475 +	33-803507	NGKDCPR6E		
9.9 HP		BEL	OP325500 +	33-803507	NGKDCPR6E		
15 Bigfoot	1998-06				NGKDCPR6EA-9		CHARA8HC
15 HP	2007-11				NGKDCPR6E	NGKDCPR6EIX	CHARA8HC
Prokicker, Bigfoot 351cc 2cyl		USA	OG590000 - 1B727495	33-827858Q	NGKDCPR6EA-9		
15 HP		BEL	9973100	33-827858Q	NGKDCPR6EA-9		
15 HP (Carb & EFI)		JPN	OR235949 +	33-803507	NGKDCPR6E		
20 HP 351cc 2 cyl	2008-11				NGKDCPR6E	NGKDCPR6EIX	CHARA8HC
20 HP (Carb & EFI)		JPN	OR235168 +	33-803507	NGKDCPR6E		
25 HP	1998-05				NGKDCPR6EA-9		CHARA8HC
25 (Carb)		USA	OG590000 - 1B344298	33-827858Q	NGKDCPR6EA-9		
25 (Carb)		BEL	9973100 - OP388282	33-827858Q	NGKDCPR6EA-9		
25 (EFI)		JPN	OR106999 +	33-803507	NGKDCPR6E		
25 (EFI)		BEL	OP401000 +	33-803507	NGKDCPR6E		
25 Jet		JPN	OR165086 +	33-803507	NGKDCPR6E		
25 EFI 526cc 3cyl	2006-11				NGKDCPR6E	NGKDCPR6EIX	CHARA8HC
30, 30 EFI 526cc, 3 cyl	1999-11				NGKDCPR6EA-9		CHARA8HC
30 (Carb)		USA	OG760300 - 1B226999	33-827858Q	NGKDCPR6EA-9		
30 (Carb)		BEL	OP094500 - OP400999	33-827858Q	NGKDCPR6EA-9		
30 (EFI)		USA	OT409000 - 1B226999	33-883323001	CHARA8HC		
30 (EFI)		JPN	OR106999 +	33-803507	NGKDCPR6E		
40, Big Foot 4cyl	2001-06				NGKDCPR6EA-9		CHARA8HC
40 EFI, Bigfoot 995cc 4 cyl	2007-11				NGKDCPR6E	NGKDCPR6EIX	CHARA8HC
40 (3 cyl. Carb)		USA	OG760300 - 1B226999	33-827858Q	NGKDCPR6EA-9		
40 (3 cyl. Carb)		BEL	OP094500 - OP400999	33-827858Q	NGKDCPR6EA-9		
40 (3 cyl. EFI)		USA	OT409000 +	33-883323001			CHARA8HC
40 (3 cyl. EFI)		BEL	OP153500 +	33-883323001			CHARA8HC
40 (3 cyl. EFI)		CHN	1C000001 +	33-883323001			CHARA8HC
40, 45 (4 cyl.)		USA	OG231123 - OT178499	33-827858Q	NGKDCPR6EA-9		
40 (4 cyl. Carb)		USA	OT228405 - OT598999	33-827858Q	NGKDCPR6EA-9		
40 (4 cyl. Carb)		BEL	OP094500 - OP206999	33-827858Q	NGKDCPR6EA-9		
40 (4 cyl. EFI)		USA	OT409000 +	33-883323001			CHARA8HC
40 (4 cyl. EFI)		BEL	OP207000 +	33-883323001			CHARA8HC
40 (4 cyl. EFI)		CHN	1C000001 +	33-883323001			CHARA8HC
40 JET (4 cyl. EFI)		CHN	1C051324 +	33-883323001			CHARA8HC
45 Bodensee 4 cyl	1995-02				NGKDCPR6EA-9		CHARA8HC
50, Bigfoot 4cyl	1995-00				NGKDCPR6EA-9		CHARA8HC
50 EFI, Bigfoot 995cc 4cyl	2006-11				NGKDCPR6E	NGKDCPR6EIX	CHARA8HC
50		USA	OG231123 - OT178499	33-827858Q	NGKDCPR6EA-9		
50 (Carb)		USA	OT178500 - OT598999	33-827858Q	NGKDCPR6EA-9		
50 (Carb)		BEL	OP094500 - OP206999	33-827858Q	NGKDCPR6EA-9		
50 (EFI)		USA	OT409000 +	33-883323001			CHARA8HC
50 (EFI)		BEL	OP207000 +	33-883323001			CHARA8HC
50 (EFI)		CHN	1C000001 +	33-883323001			CHARA8HC
60 EFI, Bigfoot 995cc 4 cyl	2001-11				NGKDCPR6EA-9		CHARA8HC
60 (Carb)		USA	OT178500 - OT598999	33-827858Q	NGKDCPR6EA-9		
60 (Carb)		BEL	OP094500 - OP206999	33-827858Q	NGKDCPR6EA-9		
60 (EFI)		USA	OT409000 +	33-883323001			CHARA8HC

MERCURY

RECAMBIO
MARINOS

				RO OEM	NGK	NGK IRIIDIUM	CHAMPION
60 (EFI)		BEL	0P207000 +	33-883323001			CHARA8HC
60 (EFI)		CHN	1C000001 +	33-883323001			CHARA8HC
75 EFI 1.7L 4cyl	2000-11					NGKLF5A-11	
75 , 1596cc		USA	0G960500 - 1B366822	859495Q	NGKLF5A-11		
75 , 1.7L		USA	1B366823 - 2B094995	33-8M0157328	NGKLF4AE		
75 , 2.1L		USA	2B094996 +	33-8M0057936	NGKZFR5F		
80 , 1.7L		USA	1B366823 - 2B094995	33-8M0157328	NGKLF4AE		
80 , 2.1L		USA	2B094956 +	33-8M0057936	NGKZFR5F		
80		BEL	0P401000 +	33-8M0157328	NGKLF4AE		
90 EFI 1.7L 4 cyl	2000-11					NGKLF5A-11	
90 , 1596cc		USA	0G960500 - 1B366822	859495Q	NGKLF5A-11		
90 , 1.7L		USA	1B366823 - 2B094995	33-8M0157328	NGKLF4AE		
90 , 2.1L		USA	2B094996 +	33-8M0057936	NGKZFR5F		
100 , 1.7L		USA	1B366823 - 2B094995	33-8M0157328	NGKLF4AE		
100 , 2.1L		USA	2B094996 +	33-8M0057936	NGKZFR5F		
100		BEL	0P401000 +	33-8M0157328	NGKLF4AE		
115 (EFI) , 1741cc		USA	0T178500 - 1B366822	33-881284Q	NGKLF6A-11		
115 , 1.7L		USA	1B366823 - 2B094995	33-8M0157328	NGKLF4AE		
115/115 ProXS , 2.1L		USA	2B094996 +	33-8M0057936	NGKZFR5F		
135 Verado		USA	1B227000 +	33-889246Q39	NGKILFR6G-E		
135 Verado		BEL	0P419487 +	33-889246Q39	NGKILFR6G-E		
150 Verado 1.7L 4cyl Supercharged	2006-11					NGKLF5A-11	
150 EFI		USA	1B905505 +	33-8M0057936	NGKZFR5F		
150 Verado		USA	1B227000 +	33-889246Q39	NGKILFR6G-E		
150 Verado		BEL	0P419487 +	33-889246Q39	NGKILFR6G-E		
175 Verado		USA	1B227000 +	33-889246Q39	NGKILFR6G-E		
175 Verado		BEL	0P464488 +	33-889246Q39	NGKILFR6G-E		
200 Verado, 4&6 cylinder		USA	0T980000 +	33-889246Q39	NGKILFR6G-E		
200 Verado, 4&6 cylinder		BEL	0P409357 +	33-889246Q39	NGKILFR6G-E		
225 (EFI)		USA	0T653945 +	859495Q	NGKLF5A-11		
225 Verado		USA	0T980000 +	33-889246Q39	NGKILFR6G-E		
225 Verado		BEL	0P409357 +	33-889246Q39	NGKILFR6G-E		
250 Verado, Pro Four Stroke 2.6L Supercharged	2004-11					NGKLF5A-11	
250 Verado		USA	0T980000 +	33-889246Q39	NGKILFR6G-E		
250 Verado		BEL	0P409357 +	33-889246Q39	NGKILFR6G-E		
275 Verado 6 cyl Supercharged	2004-10					NGKLF5A-11	
275 Verado		USA	0T980000 +	33-889246Q39	NGKILFR6G-E		
275 Verado		BEL	0P409357 +	33-889246Q39	NGKILFR6G-E		
300 Verado, Pro FourStroke 2.6L 6cyl Supecharged	2008-11					NGKLF5A-11	
300 Verado		USA	0T980000 +	33-889246Q39	NGKILFR6G-E		
300 Verado		BEL	0P520553 +	33-889246Q39	NGKILFR6G-E		
350 Verado		USA	1B718256 +	33-889246Q39	NGKILFR6G-E		
175-300, V6(3.4L) & V8(4.6L)		USA	2B529482 +	33-8M0135348	NGKFKAR7C-9		

2T
STROKES

Classic 1 cyl	1993-05	NGK	NGKBP6HS		9.8	1979-85	NGKB9HS-10	CHAL87YCC
2.5 EFI High Performance Engine	1994-97	NGK	NGKBUZHW		110	1970-73	NGKBUZHW-2	
3.0	1990-92	NGK	NGKBPR6HS-10		110	1967-69	NGKBR7HS	CHARL82C
3.3	1993-06	NGK	NGKBPR6HS-10		100, 110	1960-66	NGKBR6S	CHARJ8C
3.5	1983-85	NGK	NGKBP6HS	CHAL87YCC	110	1974	NGKBUZHW	
3.6	1980-82	NGK	NGKBP7HS-10	CHAL82YC	110	1975-78	NGKBUZHW-2	
39	1967-68	NGK	NGKBR5HS	CHAL90C	9.9	2001-06		
39	1964-66	NGK	NGKBR6S	CHARJ8C	9.9	1995-00	NGKBP8HS-15	
Classic 1 cyl	1988-05	NGK	NGKBPR7HS-10	CHARL82YC	9.9	1986-94	NGKBP8HN-10	
4.0	1986-87	NGK	NGKBUZHW-2		10 Sea Pro 2 cyl	2001-02		
4.0	1980-82	NGK	NGKBPR7HS	CHARL82YC	10, XR10, Sea Pro 2cyl	1991-00	NGKBP8HS-15	
40 Gnat	1976-79	NGK	NGKBR6HS	CHARL86C	15 Sea Pro	2001-06		
40	1970-74	NGK	NGKBUZHW-2		15 Sea Pro	1989-00	NGKBP8HS-15	
40	1969	NGK	NGKBR5HS	CHAL90C	150	1960-61	NGKBR6S	CHARJ8C
4.5	1985-75	NGK	NGKBUZHW-2		18, XD	1981-85	NGKBP8HN-10	
Classic 1 cyl	1988-06	NGK	NGKBPR7HS-10	CHARL82YC	20, Jet, Sea Pro 2 cyl	2001-06	NGKBPZ8HN-10	CHAQL78YC
6.0	1986-03	NGK	NGKBPZ8HN-10	CHAQL78YC	20, Jet 2cyl	1986-00	NGKBP8HN-10	
60	1967-68	NGK	NGKBR6HS	CHARL86C	20, 200	1970-80	NGKBUZHW-2	
60	1963-66	NGK	NGKBR6S	CHARJ8C	200	1967-69	NGKBR7HS	CHARL82C
75	1979-85	NGK	NGKB9HS-10	CHAL77JC4	200	1960-66	NGKBR6S	CHARJ8C
75	1975-78	NGK	NGKBUZHW-2		25	2001-06	NGKBPZ8HN-10	CHAQL78YC
75	1970-73	NGK	NGKBUZHW-2		25, XD, Sea Pro	1980-00	NGKBP8HN-10	
75	1974	NGK	NGKBUZHW		250	1962	NGKBR6S	CHARJ8C
75	1969	NGK	NGKBR6HS	CHARL86C	30, Sea Pro, Jet 2cyl	2001-02	NGKBPZ8HN-10	CHAQL78YC
8.0	2001-06	NGK	NGKBPZ8HN-10	CHAQL78YC	30, Sea Pro, Jet 2cyl	1995-00	NGKBP8HN-10	
8.0 Bodensee	1995-06	NGK	NGKCR6HS		30 3cyl	1995-97	NGKBUZHW-2	
8.0	1986-00	NGK	NGKBP8HN-10		300 4cyl	1960	NGKBR6S	CHARJ8C

		NGK	NGK IRIDIUM	CHAMPION
35	1984-91	NGKBUZHW		
350	1967-69	NGKBR7HS		CHARL82C
350	1961-6			CHAJ6C
40, Sea Pro 2 cyl	2001-06	NGKBPZ8HN-10		CHAQL78YC
40 3 cyl	2001-02	NGKBPZ8HN-10		CHAQL78YC
40 3 cyl	1998-00	NGKBP8HN-10		
40, Sea Pro 2 cyl	1995-00	NGKBP8HN-10		
40 4cyl	1988-97	NGKBUZHW-2		
40, 400, 402 2 cyl	1970-83	NGKBUZHW		
400	1960-61	NGKBR6S		CHARJ8C
40HP, EFI 747cc 3cyl	2003-11	NGKDP86EA-9		CHARA8HC
45 Jet 3 cyl	2001-02	NGKBPZ8HN-10		CHAQL78YC
45 Jet 3 cyl	1995-00	NGKBP8HN-10		
45	1986-89	NGKBUZHW-2		
450	1962	NGKBR6S		CHARJ8C
50 3cyl	2001-06	NGKBPZ8HN-10		CHAQL78YC
50 3cyl	1991-00	NGKBP8HN-10		
50 3cyl	1986-90	NGKBUZHW		
50, 500	1978-85	NGKBUZHW-2		
500, 500SS	1967-77	NGKBUZHW		
500	1961-66			CHAJ6C
500M, 500S	1967	NGKBR7HS		CHARL82C
55, Sea Pro, 3cyl	2001-06	NGKBPZ8HN-10		CHAQL78YC
55, Sea Pro, 3cyl	1992-00	NGKBP8HN-10		
60, Sea Pro, 3cyl	2001-06	NGKBPZ8HN-10		CHAQL78YC
60, Sea Pro, Bigfoot, 3cyl	1991-00	NGKBP8HN-10		
60	1984-90	NGKBUZHW		
600 6 cyl	1960-61	NGKBR6S		CHARJ8C
65 Jet 3cyl	2001-02	NGKBUZHW-2		
65 Jet 3cyl	1995-00	NGKBUZHW-2		
650	1972-76	NGKBUZHW		
650S	1968-71	NGKBUZHW		
650	1963-66			CHAJ6C
650S	1967-68	NGKBR7HS		CHARL82C
70	1987-89	NGKBUZHW-2		
70	1979-83	NGKBUZHW		
700	1977-78	NGKBUZHW		
700 6cyl	1960-61	NGKBR6S		CHARJ8C
Walleye L4N4 Engine	2007	NGKLF4AE		
75 3cyl	2001-06	NGKBUZHW-2		
75, Sea Pro 3cyl	1987-00	NGKBUZHW-2		
75XD 4cyl	1984-86	NGKBUZHW-2		
75 Jet 3cyl	2001-02	NGKBUZHW-2		
80 Jet 4cyl	1995-00	NGKBP8HN-10		
80 3cyl	1987-89	NGKBUZHW-2		
80 4cyl	1979-83	NGKBUZHW-2		
800	1970-72	NGKBUZHW		
800 6cyl	1960-61			CHAJ6C
80 Jet 4cyl	2001	NGKBPZ8HN-10		CHAQL78YC
800	1978	NGKBUZHW-2		
800	1969	NGKBUZHW		
850	1973-77	NGKBUZHW		
850 6cyl	1962-64			CHAJ6C
Walleye L4N4 Engine	2007	NGKLF4AE		
90 3cyl	1999-06	NGKBUZHW-2		
90	1987-98	NGKBUZHW-2		
90, 900 6cyl	1978-86	NGKBUZHW		
900	1965			CHAJ6C
950SS	1966-67	NGKBUZHW		
950	1966	NGKBR7HS		CHARL82C
100	1988-99	NGKBP8HN-10		
1000BP, 1000SS	1968-69	NGKBUZHW		
1000	1962-64			CHAJ6C
105 Jet	1995-98	NGKBU8H		CHAQL6VC
1100SS	1966-67	NGKBUZHW		
1100	1966	NGKBR7HS		CHARL82C
Walleye L4N4 Engine	2007	NGKLF4AE		
115 4cyl	2001-06	NGKBPZ8HN-10		CHAQL78YC
115 4cyl	1989-00	NGKBP8HN-10		
115, 1150	1970-88	NGKBUZHW		
125 4cyl	2001-06	NGKBPZ8HN-10		CHAQL78YC
125 4cyl	1994-00	NGKBP8HN-10		

		NGK	NGK IRIDIUM	CHAMPION
1250 BP, SS	1968-69	NGKBUZHW		
135 6 cyl	2000-02	NGKBPZ8HS-10		CHAQL78YC
135	1986-99	NGKBU8H		CHAQL6VC
1350	1970-71	NGKBUZHW		
140 Jet	1995-99	NGKBU8H		CHAQL6VC
140	1979-80	NGKBUZHW		
1400	1972-78	NGKBUZHW		
1400	1970-73	NGKBUZHW		
150, EFI, XRI, XR-2, XR-4 6cyl	2000-06	NGKBPZ8HS-10		CHAQL78YC
150, 1500	1978-02	NGKBU8H		CHAQL6VC
1500	1973-77	NGKBUZHW		
175 Xri	1991-02	NGKBU8H		CHAQL6VC
175, EFI MFI 6 cyl	2000-01	NGKBPZ8HS-10		CHAQL78YC
175, EFI	1979-99	NGKBU8H		CHAQL6VC
1750	1976-78	NGKBUZHW		
200, EFI, MFI, 6 cyl	2000-06	NGKBPZ8HS-10		CHAQL78YC
200 Xri	1989-02	NGKBUZ8H		CHAQL6VC
200, EFI	1979-99	NGKBU8H		CHAQL6VC
200 EFI 6 cyl	2006	NGKBR8HS		CHAQL78C
Duece High EFI 2.0L	1997	NGKBUZ8H		CHAQL6VC
F1 EFI 2.0L	1997	NGKBUZHW		
200 SST, EFI, SS, XR2 2.0L	1997	NGKBUZHW		
2000	1978	NGKBUZHW		
V-220 Laser	1987-88	NGKBUZ8H		CHAQL6VC
225 EFI, Sea Pro, Xri, Work 6 cyl	1995-06	NGKBR8HS	NGKBR8HIX	CHAQL78C
225, Work 3.0l V-6	1994-97	NGKBPZ8HN-10		CHAQL78YC
225	1980-81	NGKBU8H		CHAQL6VC
2.5L	1995-96	NGKBU8H		CHAQL6VC
250 Xri EFI 6 cyl	1995-06	NGKBR8HS	NGKBR8HIX	CHAQL78C
250 3.4L	1989-90	NGKBU8H		CHAQL6VC
2.5L Offshore	1995-97	NGKBU8H		CHAQL6VC
2.5L SS Drag EFI	1997	NGKBU8H		CHAQL6VC
275	1989-94	NGKBU8H		CHAQL6VC
EFI Sport, SS, Offshore 2.5L	2002	NGKBZ7HS-10		
3.4L	1984-88	NGKBU8H		CHAQL6VC
300 4cyl	1981-83	NGKBU8H		CHAQL6VC
2.5L S3000 EFI	1997	NGKBU8H		CHAQL6VC
2.5L Carb High Performance	1991-93	NGKBUZHW		
21.9 cu in 25SS Racing		NGKBUZHW		
49.9 cu in 650X Racing		NGKBUZHW		
99.9 cu in Twister 11-x Racing		NGKBUZHW		
10X High Performance		NGKBP8HS-10		
150 Magnum Pro Max Super		NGKBUZHW		
2.0L F1 Carb/EFI High Performance		NGKBUZHW		
2.4L Bass High Performance		NGKBUZHW		
2.4L EFI High Performance		NGKBUZHW		
2.4L Mod VP High Performance		NGKBUZHW		
200 Magnum EFI Pro Max Super		NGKBUZHW		
225 Magnum EFI Pro Max Super		NGKBUZHW		
25SS High Performance		NGKBUZHW-2		
25XS High Performance		NGKBUZHW		
44XS High Performance		NGKBUZHW-2		
SST 140 High Performance		NGKBUZHW		
XR-2 Magnum High Performance		NGKBUZHW		

MERCURY

RECAMBIO MARINOS

MARINER

4T STROKES				4T STROKES				
		NGK	NGK IRIIDIUM	CHAMPION		NGK	NGK IRIIDIUM	CHAMPION
2.5 Carb		NGKDCPR6E	NGKDCPR6EIX		15 Carb 2 Cyl	NGKDCPR6E	NGKDCPR6EIX	CHARA8HC
3.5 Carb		NGKDCPR6E	NGKDCPR6EIX		20 Carb 2 Cyl	NGKDCPR6E	NGKDCPR6EIX	CHARA8HC
4.0	1999-02	NGKDCPR6E	NGKDCPR6EIX		25	1998-02	NGKDCPR6EIX	CHARA8HC
5.0	1999-02	NGKDCPR6E	NGKDCPR6EIX	CHARA8HC	25 EFI 3Cyl		NGKDCPR6EIX	CHARA8HC
6.0	2000-02	NGKDCPR6E	NGKDCPR6EIX	CHARA8HC	30 2 Cyl	1999-02	NGKDCPR6EIX	CHARA8HC
8.0 209cc		NGKDCPR6E	NGKDCPR6EIX	CHARA8HC	40 3 Cyl	1998-01	NGKDCPR6EIX	CHARA8HC
9.9	1999-02	NGKDCPR6EIX			50 4 Cyl	1995-01	NGKDCPR6EIX	
9.9 Big Foot, Sail Power	1995-02	NGKCR6HS			75, 90	2000	NGKDCPR6EIX	NGKLF5A-11
9.9 209cc		NGKDCPR6E	NGKDCPR6EIX		225 Super Magnum EFI	1997-99	NGKDCPR6EIX	CHAQL6VC
15	1998-02	NGKDCPR6EIX						

2T STROKES				2T STROKES				
		NGK	NGK IRIIDIUM	CHAMPION		NGK	NGK IRIIDIUM	CHAMPION
2A 646		NGKBR6HS		CHARL86C	30 Marathon 698B		NGKBR7HS	CHARL82C
2B 6A1 (M011600+)		NGKBR6HS		CHARL86C	40 Marathon, 2 Cyl.	1995-02	NGKBR8HN-10	
2B 6A1 (-M011600)		NGKBR6HS		CHARL86C	40 2, 3 Cyl	1998-01	NGKBR8HN-10	
2.5	1990-02	NGKBR6HS-10			K40 6F5 2 Cyl	1984-00	NGKBR7HS	
3.3	1993-02	NGKBR6HS-10			40, 2 Cyl	1989-97	NGKBUZHW-2	
3.5 642 (-M23740)		NGKBR7HS			40 Marathon 6F6	1985-94	NGKBR7HS	
3.5 642 (M23741+)		NGKBR6HS			40C 6E9, 40A 676A, 40B 675B, W40 676B	1981-94	NGKBR8HS	NGKBR8HIX CHAQL78C
3.5 642 (ML41691+)		NGKBR6HS			W40 6F6		NGKBR7HS	
3.5 642 (-ML41690)		NGKBR7HS			45 Jet 3 Cyl	1995-01	NGKBR8HN-10	
4.0	1990-02	NGKBR7HS-10		CHARL82YC	45 Bodensee 4 Cyl	1995-98	NGKDCPR6EIX	
4A 6E0		NGKBR7HS		CHARL82C	45 4 Cyl	1986-89	NGKBUZHW-2	
5.0	1990-02	NGKBR7HS-10		CHARL82YC	48 670		NGKBR7HS	
5A 661		NGKBR7HS		CHARL82C	W48 670		NGKBR7HS	
5C 6E3		NGKBR7HS		CHARL82C	50	1991-01	NGKBR8HN-10	
6.0	1992-02	NGKBR8HN-10		CHARL82YC	50 4 Cyl	1986-90	NGKBUZHW	
6B 678		NGKBR5HS		CHAL90C	50 4 Cyl	1980-85	NGKBUZHW-2	
6C 6H8		NGKBR7HS-10		CHAL82C	55 Marathon	1991-02	NGKBR8HN-10	
6D 6H6		NGKBR7HS-10		CHAL82C	M55 663 (E004041+, EL315379+)		NGKBR8HS-10	CHAL78C
8.0	1993-02	NGKBR8HN-10		CHARA8HC	M55 663 (-E004040, -EL315378)		NGKBR8HS	CHAQL78C
K8 680	1991-00	NGKBR6HS		CHARL86C	Marathon 55 663 W55 663		NGKBR8HS	NGKBR8HIX CHAQL78C
8.0 Bondensee	1995-99	NGKCR6HS		CHARL86C	60 Marathon	1995-02		
8	1987-92	NGKBR8HS-10			60	1991-01		
8A 647 / 655		NGKBR6HS		CHARL86C	60 Big Foot	1995-99	NGKBR8HN-10	
8B 677		NGKBR7HS		CHARL82C	60 3 Cyl. 849cc	1984-90	NGKBUZHW	
8C 6G1		NGKBR7HS-10		CHAL82C	675 (S000781+, L302051+)		NGKBR8HS-10	CHAL78C
8 Marathon / W8 / 8 677		NGKBR7HS		CHARL82C	60 6F0		NGKBR8HS-10	
9.9	1995-00	NGKBR8HS-15			60 675 (-L302050, -L000780)		NGKBR8HS	NGKBR8HIX CHAQL78C
9.9C 682 CDI		NGKBR7HS-10			65 Jet	1995-01	NGKBUZHW-2	
9.9C 682		NGKBR7HS			70 3 Cyl.		NGKBUZHW	
10 Marathon	1991-02	NGKBR8HS-15			75 Marathon	1987-91	NGKBUZHW-2	
10 Magnum	1991-98	NGKBR8HS-15			75	1987-01	NGKBUZHW-2	
15 Marathon	1997-02	NGKBR8HS-15			75 4 Cyl		NGKBUZHW-2	
15 2Cyl	1989-02	NGKBR8HS-15			80 Jet	1995-01	NGKBR8HN-10	
15 K15 6K4	1984-00	NGKBR7HS-10		CHAL82C	80 4 Cyl		NGKBUZHW-2	
15 Marathon	1992-96	NGKBR8HN-10			85		NGKBUZHW-2	
15 Marathon 684 CDI		NGKBR7HS-10		CHARL82C	90	1987-01	NGKBUZHW-2	
15 Marathon 684		NGKBR7HS			90		NGKBUZHW	
15A 651		NGKBR7HS			100	1988-99	NGKBR8HN-10	
15C 684 CDI		NGKBR7HS-10			105 Jet, 6 Cyl	1995-99	NGKBU8H	CHAQL6VC
15C 684		NGKBR7HS			115 4Cyl	1989-02	NGKBR8HN-10	
K15 669		NGKBR6HS			115	1977-88	NGKBUZHW	
K15 6M7		NGKBR7HS-10		CHAL82C	EFI, 4 Cyl (1B366823+)		NGKLF6A-11	
W15 662		NGKBR7HS			125	1994-04	NGKBR8HN-10	
W15 684		NGKBR7HS-10		CHAL82C	135	2000-01	NGKBR8HS-10	CHAQL78YC
20 Jet	1995-01	NGKBR8HN-10			135	1986-99	NGKBU8H	
20A 653		NGKBR6HS		CHARL86C	135 Marathon	1986-99	NGKBU8H	
20C 6A9		NGKBR7HS		CHARL82C	135 Work	1986-93	NGKBU8H	CHAQL6VC
25 Marathon	1993-02	NGKBR8HN-10			140 Jet	1995-99	NGKBU8H	CHAQL6VC
25	1985-01	NGKBR8HN-10			140 6 Cyl		NGKBUZHW	
K25 6A4	1997-00	NGKBR7HS		CHAL82C	150	2000-01	NGKBR8HS-10	
25 Marathon 648, 694, 695		NGKBR7HS		CHARL82C	150 EFI	2000-01	NGKBR8HS-10	CHAQL78YC
25A, 25B, 25C		NGKBR7HS			150 EFI	1997-99	NGKBU8H	CHAQL6VC
W25, WS25		NGKBR7HS			150	1979-99	NGKBU8H	
25	1992	NGKBU8H		CHAQL6VC	150 Magnum EFI	1993-97	NGKBU8H	CHAQL6VC
28 664		NGKBR7HS		CHARL82C	150 Magnum III	1992-97	NGKBU8H	
30 Marathon	1995-02	NGKBR8HN-10			150 Magnum II	1988-91	NGKBU8H	
30 Jet 3 Cyl	1998-01	NGKBR8HN-10			150 Magnum		NGKBU8H	
30	1995-00	NGKBR8HN-10			150 Work		NGKBU8H	
30 Jet 3 Cyl	1995-97	NGKBUZHW-2			175 EFI	1998-99	NGKBU8H	
30A 689	1992-94	NGKBR7HS			175	1978-98	NGKBU8H	
W30 689A	1992-93	NGKBR7HS						
W30 698B	1992-93	NGKBR7HS						

		NGK	NGK IRIIDIUM	CHAMPION			NGK	NGK IRIIDIUM	CHAMPION
175 Magnum EFI	1991-97	NGKBU8H		CHAQL6VC	200 Magnum EFI	1987-88	NGKBU8H		
175 SKI	1989-94	NGKBU8H		CHAQL78YC	3.0L Marathon	1994-01	NGKBU8H	NGKBR8HIX	
175 EFI	2000-01	NGKBPZ8HS-10			225 EFI/Carb	1995-04	NGKBU8H	NGKBR8HIX	
200 EFI	1998-99	NGKBU8H			Magnum EFI	1996-01	NGKBR8HS	NGKBR8HIX	CHAQL78C
200	1979-99	NGKBU8H			250 3.4L	1989-90	NGKBU8H		CHAQL6VC
200 Magnum EFI	1989-97	NGKBU8H		CHAQL6VC	2.5L EFI	1995-98	NGKBU8H		
200	2000	NGKBPZ8HS-10			2.5L EFI	1997	NGKBU8H		CHAQL6VC
200 EFI	2000	NGKBPZ8HS-10		CHAQL78YC	275 3.4L	1991-94	NGKBU8H		CHAQL6VC
200 Super Magnum EFI	1997	NGKBU8H		CHAQL6VC	2.5L Drag EFI V6	1997-98	NGKBUZHW		

JUEGOS DE CABLES, ALTO RENDIMIENTO

Núcleo del cable de Kevlar de 8 mm antimagnético. Funda de silicona amarilla. Terminales bujías con muelle de acero inox. Terminal del distribuidor de cobre. Terminales bobina. Silicona resistente a altas temperaturas. Garantía de 5 años.

Capuchón de silicona
Silicone jacket
Rivestimento in silicone
Capuchon en silicone



Rizado especial
Fiberglass braiding
Fibra di vetro
Tresse en fibre de verre

Terminal de acero inox
Stainless Steel terminal
Terminale di acciaio inox
Terminal en acier inox

REF	OEM	
REC15-201		5" = 12,7 cm
REC15-202		7" = 17,78 cm
REC15-203	84-813715A1	9" = 22,86 cm
REC15-204		12" = 30,48 cm

HD SPARK PLUG WIRE SET

Antimagnetic Kevlar core. Yellow silicone boot Et jacket. SS snaplock. Brass distributor terminal. Coil terminals. High resistant silicone. 5 year warranty.

KIT CAVI CANDELE, ALTE PRESTAZIONI

Núcleo del cavo di Kevlar da 8 mm antimagnetico. Copertura di silicone gialla. Terminali candele con molle di acciaio inox. Terminale lato spinterogeno in rame. Terminale Bobine. Silicone resistente alle alte temperature. Garanzia di 5 anni.

KIT FAISCEAU DE BOUGIE

Noyau en Kevlar antimagnétique. Gaine en silicone jaune. Bornes de bougie d'allumage avec ressort en acier inoxydable. Terminal de distribution en laiton. Bornes de bobine. Silicone haute résistance. Garantie de 5 ans.

Camisa de silicona de 8 mm
8 mm silicone jacket
Rivestimento in silicone da 8 mm
Gaine silicone de 8mm



Látex resistente altas temperaturas
Heat resistant latex
Latex resistente alle alte temperature
Latex résistant à haute température

Núcleo de Kevlar
Kevlar core
Nucleo de Kevlar
Noyau de Kevlar

Acero inox
Stainless Steel
Acciaio inox
Acier inox

REF		
REC84-813715A8	100, 115, 125 Et 80 JET(4 Cyl)	

REF	OEM	CABLES CAVI WIRE CABLES		2T STROKES	4T STROKES
REC84-881908T3	84-881908T	3	Mercury 30-40- EFI 3 cyl		✓
REC84-881908T4	84-881908T	4	Mercury 40-60- EFI 4 cyl		✓



KIT

REF	OEM
REC84-813706A26	84-99215A26 84-813706A26



PIPA PARA BUJÍAS

Pipa de silicona para bujía con resistor. Conexión a prueba de agua.

SPARK PLUG PIPE

Silicone pipe with resistor. Waterproof connection.

GOMITO PER CANDELE

Gomito in silicone per candele. Connessione a prova di acqua.

CAPUCHON DE BOUGIE

Capuchon de bougie en silicone avec résistance. Connexion étanche

REF
CHAPROSU






MOTORES DE ARRANQUE




STARTERS

MOTORINI AVVIAMENTO




DEMARREUR

REF	OEM				2T STROKES	4T STROKES
PH130-0021	50-90983T1 50-90983A1 50-893889T 50-8M0033984	12V	10 CCW	6 - 25 HP (1977-06)	✓	






REF	OEM				2T STROKES	4T STROKES
PH130-0061	50-803835T02	12V	10 CCW	8, 9.9HP (209cc)		✓






REF	OEM				2T STROKES	4T STROKES
PH130-0014	50-825991A2	12V	10 CCW	(Bodensee, Inter.) 232 cc		✓






REF	OEM				2T STROKES	4T STROKES
PH130-0034	50-852570T 50-859168 50-859168T 50-857065	12V	9 CCW	8, 9.9 HP (323 cc) (1999-04) 15 HP (323 cc) (1998+)		✓






REF	OEM				2T STROKES	4T STROKES
PH130-0006	50-853805T03	12V	9 CCW	10 Carb (2 cyl) 15 Carb (2 cyl) / JCI OR235949 - OR833819 20 Carb (2 cyl) 25 EFI (3 cyl) 25 Jet EFI (3 Cyl) OR106999+ 30 EFI (3 cyl)		✓






REF	OEM				2T STROKES	4T STROKES
PH130-0049	50-97693M, 50-96359M 50-814980M	12V	11 CCW	MARINER 20-40HP (1977-92)		✓






REF	OEM				2T STROKES	4T STROKES
PH130-0029	50-830308T 50-859169T 50-888151T 50-893886T	12V	9 CCW	25 HP (1998-06)		✓






REF	OEM				2T STROKES	4T STROKES
PH130-0028	50-854636T 50-859170T 50-884045T 50-888160T 50-893897T 854636T 859170T 893887T	12V	9 CCW	30-40 HP (1999+)		✓






REF	OEM				2T STROKES	4T STROKES
PH130-0024	50-822462 50-822462T1 50-893890T 822462T1 893890T	12V	10 CCW	30-60 HP (1994-10) 2 cyl, 3 cyl	✓	






REF	OEM				2T STROKES	4T STROKES
PH130-0072	50-41583 50-41583T	12V	10 CCW	35, 40 HP (1980-89)	✓	






REF	OEM				2T STROKES	4T STROKES
PH130-0040	50-55601A 50-55601A2 50-30829 50-32403 50-37345 50-38890 50-38890A1	12V	9 CCW	35, 50 HP (1980-89) 40 HP 2 cyl	✓	






REF	OEM				2T STROKES	4T STROKES
PH130-0033	50-859377T 50-884044T 50-888161T 50-893888T	12V	9 CCW	40, 50, 60 HP (2001+) 4 cyl	✓	






REF	OEM				2T STROKES	4T STROKES
PH130-0062	50-814980M	12V	11 CCW	40HP (Twin Carb) (1986-92)	✓	






REF	OEM				2T STROKES	4T STROKES
PH130-0011	50-73521 50-73521T 50-44369A1 50-44369	12V	10 CCW	40-60 HP (1976-06)	✓	






REF	OEM				2T STROKES	4T STROKES
ARC5362	50-834749 50-859171T 50-898265001	12V	9 CCW	40 HP 40 ITALY 45 BONDESEE 50 50 BigFoot	✓	



REF	OEM				2T STROKES	4T STROKES
PH130-0041	50-65436 50-44369A1 50-57485 50-60315 50-66015 50-66015-2 50-88119 50-893891T	12V	10 CCW	40-100 HP (1979-10)	✓	




REF	OEM				2T STROKES	4T STROKES
PH130-0015	50-44369A1 50-73521	12V	10 CCW	40-45-50-55-60 HP (1984-06)	✓	




REF	OEM	⚡	☀️	🔧	2T STROKES	4T STROKES
REC50-879150A85	50-879150A85 50-897525T05 50-898103T94 50-898103T95	12V	14 CCW	75, 80, 90, 100, 115 HP EFI NEW MODELS		✓




REF	OEM	⚡	☀️	🔧	2T STROKES	4T STROKES
PH130-0022	50-820193 50-820193-1 50-820193-T1	12V	13 CCW	40-50 HP (1992-99)		✓




REF	OEM	⚡	☀️	🔧	2T STROKES	4T STROKES
PH130-0025	50-819271 50-820193A1	12V	13 CCW	40-50HP (1991-94)		✓




REF	OEM	⚡	☀️	🔧	2T STROKES	4T STROKES
PH130-0007	97072M 81490M 50-92669M	12V	9 CCW	50-60HP (2 Cyl) (1977-87)		✓




REF	OEM	⚡	☀️	🔧	2T STROKES	4T STROKES
PH130-0010	50-673341 50-87788 50-55304A-1 50-48643 50-45822 50-37274 50-32411 50-31976 50-30842 50-29105	12V	10 CCW	65-125HP (2 Cyl) (1977-87)		✓




REF	OEM	⚡	☀️	🔧	2T STROKES	4T STROKES
PH130-0019	50-66015 50-66015T1 50-893891T	12V	8 CCW	65-90 HP 3 cyl		✓






REF	OEM	⚡	☀️	🔧	2T STROKES	4T STROKES
PH130-0042	50-60975 50-72467 50-57465A1 50-58330	12V	10 CCW	90 - 140 HP INLINE 6 V-150, V-175, XR2		✓






REF	OEM	⚡	☀️	🔧	2T STROKES	4T STROKES
PH130-0047	480955 490955 50-819085 50-819085-1 50-819085-T1 50-583869 50-616955-1	12V	9 CCW	70-150HP (1983-99)		✓






REF	OEM				2T STROKES	4T STROKES
PH130-0057	50-881368T 50-881368T1 50-881368T2	12V	13 CCW	75, 80, 90, 100, 115HP EFI (2001-06)		✓






REF	OEM				2T STROKES	4T STROKES
PH130-0055	50-804312T1	12V	13 CCW	75, 90HP (2000-05)		✓



REF	OEM				2T STROKES	4T STROKES
REC86976	50-856996T 50-86976	12V	9 CCW	115-250 V6 (2000-03) 200-225 V6 (1978-88) Con volante de 135 dientes. With 135 tooth flywheel. Per volano da 135 denti. Pour volant avec 135 dents		✓






REF	OEM				2T STROKES	4T STROKES
REC50-8M0166297	50-8M0166297 50-8M0088064 50-8M0159603	12V 1.4 KW	13 CCW	75, 80, 90, 100, 115 EFI (2B095049+) 115EFI (2B225488+)		✓






new

REF	OEM				2T STROKES	4T STROKES
PH130-0066	50-892339T 50-853329T 50-853329T01 50-893892T	12V	14 CCW	75, 90, V135, V150, V175, V200, 2.5L DFI, (OT178500+) 200HP, 250HP, 3.0L, (OT467442+) 4 - 6 cyl. inline Verados. Funcionan con solenoides Bendix. Models with solenoid operated Bendix. Funzionano con solenoidi Bendix. Modèle avec solénoïde Bendix	✓	✓



REF	OEM				2T STROKES	4T STROKES
PH130-0009	50-819968 50-819968-1 50-819968-2 50-819968-3 50-819968-4 50-819968T4 50-853869 50-853869-T	12V	9 CCW	90-135HP (1993-00) JET DRIVE & Outboard		✓



REF	OEM				2T STROKES	4T STROKES
PH130-0046	50-79472 50-44415 50-79472 1 50-77141 50-884238T	12V	8 CCW	100-250HP (1976-05)		✓



REF	OEM	⚡	☀️	🔧	2T STROKES	4T STROKES
PH130-0030	50-833153	12V	9 CCW	V6 DFI, 135 - 150 DFI (2.5L), 200 - 225 DFI (1997-99)	✓	✓
	50-833153-1					
	50-833153-2					
	50-833153-5					
	50-833153-3					



REF	OEM	⚡	☀️	🔧	2T STROKES	4T STROKES
PH130-0031	50-832997 1	12V	8 CCW	SPORT JET V6, 2.5L (1997-05)	✓	✓
	50-832997 2					



REF	OEM	⚡	☀️	🔧	2T STROKES	4T STROKES
PH130-0023	50-818445-2	12V	8 CCW	225-250HP (1994-01)	✓	✓
	50-818445-3					
	50-818445-5					



REF	OEM	⚡	☀️	🔧	2T STROKES	4T STROKES
PH130-0074	50-888333T	12V	13 CCW	225 EFI (2003-06)	✓	✓
	50-888333T1					



MUELLE DE ARRANQUE STARTER SPRING MOLLA AVVIAMENTO RESSORT DE LANCEUR

REF	OEM	🔧
REC24-13421	24-29340A1-T1	Merc 4
		Merc 4.5
		Merc 6
		Merc 7.5
		Merc 9.8
		Mark (10) 10
		Merc 10
		Mark (15) 15
		Merc 15
		Merc 20
		Merc 20
		Mark (28) 22
		Merc 25
		Merc 30
		Merc 35
		Merc 35
		Merc 35 (4 cyl NOT)
		Mark (55) 40
		Merc 40
		Mark (58) 45
		Merc 45
		Merc 50
		Mark (75) 60
		Merc 60
		Merc 65
		Mark (78) 70
		Merc 70




LLAVES DE ARRANQUE

IGNITION STARTER SWITCH

CHIAVI DI ACCENSIONE

CONTACTEUR A CLÉ

REF	OEM		POSICIONES POSITIONS POSIZIONE POSITIONS
MP41070	87-17009A2 87-17009A5	6	3 OFF - RUN - START
GS11158	87-88107A5	6	



REF	OEM	POSICIONES POSITIONS POSIZIONE POSITIONS		2T STROKES	4T STROKES
REC87-897716K01	87-897716K01 87-897716	3	40, 50, 60 HP EFI JET		✓




LLAVE CON CHOQUE

PUSH T. CHOKE

CHIAVE CON CONTATTO

AVEC STARTER

REF	OEM		POSICIONES POSITIONS POSIZIONE POSITIONS
MP39760	802136A1	6	3 OFF - RUN - START



SOLENOIDE RELE

SOLENOID RELAY

SOLENOIDE RELE

SOLENOIDE RELAIS

ARRANQUE

STARTER

AVVIAMENTO

DÉMARRAGE

REF	OEM	2T STROKES	4T STROKES
PH375-0031	65057A1	✓	



REF	OEM	Icon	2T STROKES	4T STROKES
PH375-0011	25661-1	40 - 150 HP (1970-85)	✓	



REF	OEM	Icon	2T STROKES	4T STROKES
PH375-0028	89-68258A4	100 - 250 HP (1976-95)	✓	



REF	OEM	Icon	2T STROKES	4T STROKES
PH375-0008	809463A1	MCM DELCO REMY PG260 75, 90 (1.5L) - 225 HP DFI 3.0 L EFI 200 - 300 HP VERADO		✓



REF	OEM	Icon	2T STROKES	4T STROKES
PH375-0042	8M0098898	30 HP +	✓	✓
	881352T	225 EFI (OT653945+)	12 V	✓
	89-853809001	9.9, 25, 30 HP EFI (OR106999+)		✓

TRIM



REF	OEM	Icon	2T STROKES	4T STROKES
REC63P-81950-00	888320T	225 EFI (OT653945+)		✓
	881356001	75, 90 HP EFI (1596 cc) (1B172291-1B366822)	12 V	✓

REF	OEM	Icon	2T STROKES	4T STROKES
PH375-0048	804282T	75, 90 HP	12 V	✓



REF	OEM	Icon	2T STROKES	4T STROKES
PH375-0047	87-851839	40-50 HP		✓
	87-8518391	10, 15, 20 HP (2 cyl) Carb. & EFI	12 V	✓
	804281T	75, 90 HP		✓




RELÉ

RELAY

RELE

RELAIS

REF	OEM			2T STROKES	4T STROKES
REC89-825096T01	89-825096T	6 HP +	12 V	✓	✓
PAF15-05170300W	89-825096T01				



REF	OEM			2T STROKES	4T STROKES
PHSEL-239	89-96158	35 - 300 HP	12 V	✓	

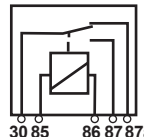



REF	OEM			2T STROKES	4T STROKES
REC89-96054T	89-96054	15 - 200 HP	12 V	✓	



REF	OEM			2T STROKES	4T STROKES
REC87-18211	87-18211	35 - V-200	12 V 30A	✓	

87
86 87a 85
30






REF	OEM			2T STROKES	4T STROKES
PH375-0034	89-818997A1	30 - 225 HP	12 V	✓	
	89-850187T1	25, 30, 40 HP			✓



REF	OEM			2T STROKES	4T STROKES
REC1504952	87-19761	40 HP USA OC159200+ BEL 9570790+	12 V	✓	



REF	OEM			2T STROKES	4T STROKES
REC882751A1	882751A1	30 HP +		✓	✓
	828151				
	828151A1				
	882751A2				



REF	OEM			2T STROKES	4T STROKES
PAF40-05091400E1	821509T01	45HP BODENSEE (0G231123 - 0G472132)	12 V		✓




REF	OEM			2T STROKES	4T STROKES
REC882751A04	821509 821509T01	30 - 115 HP	12 V	✓	✓



REF	OEM			2T STROKES	4T STROKES
PH375-0036	89-825842A1	65 - 3.0L	12 V	✓	✓
	89-850188A1				
	89-818999A1/A2				



REF	OEM	2T STROKES	4T STROKES
PH375-0037	89-817109A1 89-817109A2 89-817109A3	65 - 250 HP 12 V	✓ ✓




new

REF	OEM	2T STROKES	4T STROKES
REC68V-81950-00	881350T	115 EFI (OT801000-OT800999) (1B226999-1B366822) 225 EFI (OT653945+)	✓



REF	OEM	2T STROKES	4T STROKES
REC54293A10	54293A10	75 HP (4 Cyl) V-150 - V-200 HP	✓



REF	OEM	2T STROKES	4T STROKES
REC89-818864T	89-818864T	V-150 - V-200 HP XR-4	✓



new

REF	OEM	2T STROKES	4T STROKES
REC60E-81950-00	881350T01	75, 90 EFI (1B172291-1B366822) 80, 100 EFI (1B227000-1B366822)	✓



REF	OEM	2T STROKES	4T STROKES
REC882751A04	882751A04 VERADO	12 V	✓



GUÍA RELÉ RELAY GUIDE GUIDA RELE GUIDE DES RELAIS

REF	RELÉ TRIM TRIM RELAY RELE TRIM RELAIS TRIM	RELÉ ARRANQUE STARTER RELAY RELE AVVIAMENTO RELAIS DEMARRAGE	RELÉ MOTOR ENGINE RELAY RELE MOTORE RELAIS MOTEUR
10 EFI	OR832820 +	2 PH375-0047	PH375-0042
25 EFI	OR106966 +	3	PH375-0042
30 EFI	OP153500 - OP400999	3 REC882751A1	REC89-825096T01
30 EFI	OR106999 +	3	PH375-0042
30 EFI	OT409000 - 1B226999	3 REC882751A1	REC89-825096T01
30 EFI	1C109093 - 1C456299	3 REC882751A1	REC89-825096T01
30 EFI	1C456300 +	3 REC882751A1	REC89-825096T01
40 EFI	OP153500 - OP400999	BEL 3 REC882751A1	REC89-825096T01
40 EFI	OP401000 - OP515896	BEL 3 REC882751A1	REC89-825096T01
40 EFI	OP409000 - 1B226999	USA 3 REC882751A1	REC89-825096T01
40 EFI	1B227000 - 1B355027	USA 3 REC882751A1	REC89-825096T01
40 EFI	1C000001 - 1C043416	3 REC882751A1	REC89-825096T01
40 EFI	1C043417 - 1C456299	3 REC882751A1	REC89-825096T01
40 EFI	1C456300 +	3 REC882751A1	REC89-825096T01
40 EFI	OP153500 - OP400999	BEL 4 REC882751A1	REC89-825096T01
40 EFI	OP401000 - OP515896	BEL 4 REC882751A1	REC89-825096T01
40EFI	OP515897 - OP580772	BEL 4 REC882751A1	REC89-825096T01
40 EFI	OT409000 - 1B355222	USA 4 REC882751A1	REC89-825096T01
40 EFI	1C000001 - 1C050251	USA 4 REC882751A1	REC89-825096T01
40 EFI	1C050252 - 1C453839	USA 4 REC882751A1	REC89-825096T01
40 EFI Et SEAPRO	1C453840 +	USA 4 REC882751A1	REC89-825096T01
50 EFI	OP153500 - OP400999	BEL 4 REC882751A1	REC89-825096T01
50 EFI	OP401000 - OP515896	BEL 4 REC882751A1	REC89-825096T01
50 EFI	OP515897 - OP580772	BEL 4 REC882751A1	REC89-825096T01
50 EFI	OT409000 - 1B355222	USA 4 REC882751A1	REC89-825096T01
50 EFI	1C000001 - 1C050251	USA 4 REC882751A1	REC89-825096T01

REF				RELÉ TRIM TRIM RELAY RELE TRIM RELAIS TRIM	RELE ARRANQUE STARTER RELAY RELE AVVIAMENTO RELAIS DEMARRAGE	RELÉ MOTOR ENGINE RELAY RELE MOTORE RELAIS MOTEUR
50 EFI	1C050252 - 1C453839	USA	4	REC882751A1	REC89-825096T01	REC882751A1
50 EFI	1C453840 +	USA	4	REC882751A1	REC89-825096T01	REC882751A1
60 EFI	0P153500 - 0P400999	BEL	4	REC882751A1	REC89-825096T01	REC882751A1
60 EFI	0P401000 - 0P515896	BEL	4	REC882751A1	REC89-825096T01	REC882751A1
60 EFI	0P515897 - 0P580772	BEL	4	REC882751A1	REC89-825096T01	REC882751A1
60 EFI	0T409000 - 1B355222	USA	4	REC882751A1	REC89-825096T01	REC882751A1
60 EFI	1C000001 - 1C050251	USA	4	REC882751A1	REC89-825096T01	REC882751A1
60 EFI	1C050252 - 1C453839	USA	4	REC882751A1	REC89-825096T01	REC882751A1
60 EFI & SEAPRO	1C453840 +	USA	4	REC882751A1	REC89-825096T01	REC882751A1
75 EFI	1B172291 - 1B366822	USA	4	REC63P-81950-00	PH375-0042	REC60E-81950-00
75 EFI	1B366823 - 2B094995	USA	4	REC882751A1	PH375-0037	REC882751A1
75 EFI & SEAPRO	2B095049 +		4	REC882751A1	REC89-825096T01	REC882751A1
80 EFI	0P459572 - 2B094995	BEL	4	REC882751A1	PH375-0037	REC882751A1
80 EFI	1B227000 - 1B366822	USA	4	REC63P-81950-00	REC89-825096T01	REC60E-81950-00
80 EFI	1B366823 - 2B094995	USA	4	REC882751A1	PH375-0042	REC60E-81950-00
80 EFI	2B095049 +		4	REC882751A1	REC89-825096T01	REC882751A1
90 EFI	1B172291 - 1B366822	USA	4	REC63P-81950-00	PH375-0042	REC60E-81950-00
90 EFI	1B366823 - 2B094995	USA	4	REC882751A1	PH375-0037	REC882751A1
90 EFI & SEAPRO	2B095049 +	USA	4	REC882751A1	REC89-825096T01	REC882751A1
100 EFI	0P459572 - 2B094995	BEL	4	REC882751A1	PH375-0037	REC882751A1
100 EFI	1B227000 - 1B366822	USA	4	REC63P-81950-00	REC89-825096T01	REC60E-81950-00
100 EFI	1B366823 - 2B094995	USA	4	REC882751A1	PH375-0042	REC60E-81950-00
100 EFI	2B095049 +	USA	4	REC882751A1	PH375-0037	REC882751A1
115 EFI	0T178500 - 0T800999	USA	4	REC882751A1	REC89-825096T01	REC882751A1
115 EFI	0T801000 - 1B226999	USA	4	REC882751A1	PH375-0042	REC68V-81950-00
115 EFI	1B227000 - 1B366822	USA	4	REC882751A1	PH375-0042	REC68V-81950-00
115 EFI	1B366823 - 2B094995	USA	4	REC882751A1	PH375-0037	REC882751A1
115 EFI & SEAPRO (XS)	2B095049 +		4	REC882751A1	REC89-825096T01	REC882751A1
135	2B131942 +		4	PH360-0003		PH360-0003
135 VERADO	0P419487 - 0P464487	BEL	4	REC882751A04		
135 VERADO	0P464488 - 0P514868	BEL	4	REC882751A04		REC882751A04
135 VERADO	0P514869 - 0P593020	BEL	4	REC882751A04		REC882751A04
135 VERADO	1B227000 - 1B381711	USA	4	REC882751A04		REC882751A04
135 VERADO	1B381712 - 1B517158	USA	4	REC882751A04		REC882751A04
135 VERADO	1B517159 - 2B576734	USA	4	REC882751A04		REC882751A04
150	1B905505 +		4	PH360-0003		PH360-0003
150 SEAPRO	2B139139 +		4	PH360-0003		PH360-0003
150 Pro XS	2B550139 +		4	PH360-0003		PH360-0003
150 VERADO	0P419487 - 0P464487	BEL	4	REC882751A04		REC882751A04
150 VERADO	0P464488 - 0P514868	BEL	4	REC882751A04		REC882751A04
150 VERADO	0P514869 - 0P593020	BEL	4	REC882751A04		REC882751A04
150 VERADO	1B227000 - 1B381711	USA	4	REC882751A04		REC882751A04
150 VERADO	1B381712 - 1B517158	USA	4	REC882751A04		REC882751A04
150 VERADO	1B517159 - 2B576734	USA	4	REC882751A04		REC882751A04
175 VERADO	0P419487 - 0P464487	BEL	4	REC882751A04		REC882751A04
175 VERADO	0P464488 - 0P514868	BEL	4	REC882751A04		REC882751A04
175 VERADO	0P514869 - 0P593020	BEL	4	REC882751A04		REC882751A04
175 VERADO	1B227000 - 1B381711	USA	4	REC882751A04		REC882751A04
175 VERADO	1B381712 - 1B517158	USA	4	REC882751A04		REC882751A04
175 VERADO	1B517159 - 2B576734	USA	4	REC882751A04		REC882751A04
175 (3.4L) V6 & Pro XS	2B529482 +	USA	6	PH360-0003		PH360-0003
200 VERADO	0P514869 - 0P593020	BEL	4	REC882751A04		REC882751A04
200 VERADO	1B517159 - 2B576734	USA	4	REC882751A04		REC882751A04
200 VERADO	0P409357 - 0P464487	BEL	6	REC882751A04		REC882751A04
200 VERADO	0P464488 - 0P520552	BEL	6	REC882751A04		REC882751A04
200 VERADO	0P520553 - 2B144122	BEL	6	REC882751A04		REC882751A04
200 VERADO	0T980000 - 1B226999	USA	6	REC882751A04		REC882751A04
200 VERADO	1B227000 - 1B381711	USA	6	REC882751A04		REC882751A04
200 VERADO	1B381712 - 1B517433	USA	6	REC882751A04		REC882751A04
200 VERADO	1B517434 - 2B144122	USA	6	REC882751A04		REC882751A04
200 VERADO	2B144123 - 2B578935	USA	6	REC882751A04		REC882751A04
200 Pro VERADO	2B034840 - 2B144122		6	REC882751A04		REC882751A04
200 Pro VERADO	2B144123 - 2B577715		6	REC882751A04		REC882751A04
200 (3.4L) V6 & SEAPRO	2B529482 +	USA	6	PH360-0003		PH360-0003
200 (4.6L) V8 PRO XS	2B529482 +	USA	8	PH360-0003		PH360-0003
225 EFI	0T653945 +	USA	6	REC63P-81950-00	PH375-0042	REC68V-81950-00
225 VERADO	0P409357 - 0P464487	BEL	6	REC882751A04		REC882751A04
225 VERADO	0P464488 - 0P520552	BEL	6	REC882751A04		REC882751A04
225 VERADO	0P520553 - 2B144122	BEL	6	REC882751A04		REC882751A04
225 VERADO	0T980000 - 1B226999	USA	6	REC882751A04		REC882751A04
225 VERADO	1B227000 - 1B381711	USA	6	REC882751A04		REC882751A04
225 VERADO	1B381712 - 1B517433	USA	6	REC882751A04		REC882751A04
225 VERADO	1B517434 - 2B144122	USA	6	REC882751A04		REC882751A04
225 VERADO	2B144123 - 2B578935	USA	6	REC882751A04		REC882751A04
225 (3.4L) V6 & SEAPRO	2B529482 +	USA	6	PH360-0003		PH360-0003
225 (4.6L) V8 PRO XS	2B529482 +	USA	8	PH360-0003		PH360-0003
250 VERADO	0P409357 - 0P464487	BEL	6	REC882751A04		REC882751A04
250 VERADO	0P464488 - 0P520552	BEL	6	REC882751A04		REC882751A04

REF				RELÉ TRIM TRIM RELAY RELE TRIM RELAIS TRIM	RELE ARRANQUE STARTER RELAY RELE AVVIAMENTO RELAIS DEMARRAGE	RELÉ MOTOR ENGINE RELAY RELE MOTORE RELAIS MOTEUR
250 VERADO	OP520553 - 2B144122	BEL	6	REC882751A04		REC882751A04
250 VERADO	0T980000 - 1B226999	USA	6	REC882751A04		REC882751A04
250 VERADO	1B227000 - 1B381711	USA	6	REC882751A04		REC882751A04
250 VERADO	1B381712 - 1B517433	USA	6	REC882751A04		REC882751A04
250 VERADO	1B517434 - 2B144122	USA	6	REC882751A04		REC882751A04
250 VERADO	2B144123 - 2B578935	USA	6	REC882751A04		REC882751A04
250 PRO VERADO	1B830170 - 2B144122		6	REC882751A04		REC882751A04
250 PRO VERADO	2B144123 - 2B577715	USA	6	REC882751A04		REC882751A04
250 (4.6L) V8, VERADO, SEAPRO & PRO XS	2B529482 +	USA	8	PH360-0003		PH360-0003
250 (4.6L) V8 RACING	1E080500+	USA	8	PH360-0003		PH360-0003
275 VERADO	OP409357 - OP464487	BEL	6	REC882751A04		REC882751A04
275 VERADO	OP464488 - OP520552	BEL	6	REC882751A04		REC882751A04
275 VERADO	OP520553 - 2B144122	BEL	6	REC882751A04		REC882751A04
275 VERADO	0T980000 - 1B226999	USA	6	REC882751A04		REC882751A04
275 VERADO	1B227000 - 1B381711	USA	6	REC882751A04		REC882751A04
275 VERADO	1B381712 - 1B517433	USA	6	REC882751A04		REC882751A04
275 VERADO	1B517434 - 2B144122	USA	6	REC882751A04		REC882751A04
275 VERADO	2B144123 - 2B578935	USA	6	REC882751A04		REC882751A04
300 VERADO	OP520553 - 2B144122	BEL	6	REC882751A04		REC882751A04
300 VERADO	1B517434 - 2B144122	USA	6	REC882751A04		REC882751A04
300 VERADO	2B144123 - 2B578935	USA	6	REC882751A04		REC882751A04
300 PRO VERADO	1B830170 - 2B144122		6	REC882751A04		REC882751A04
300 PRO VERADO	2B144123 - 2B577715	USA	6	REC882751A04		REC882751A04
300 (4.6L) V8, VERADO, SEAPRO & PRO XS	2B529482 +	USA	8	PH360-0003		PH360-0003
300 (4.6L) V8 RACING	1E080500+	USA	8	PH360-0003		PH360-0003
350SCi VERADO	1B716557 - 2B143542		6	REC882751A04		REC882751A04
350 2.6L L6 VERADO	2B141617 +	USA	6	REC882751A04		REC882751A04
350 2.6L L6 PRO VERADO	2B141124 +	USA	6	REC882751A04		REC882751A04
400 2.6L L6 VERADO	2B618256 +	USA	6	REC882751A04		REC882751A04
400R 2.6L L6 RACING	2B141124 +	USA	6	REC882751A04		REC882751A04
450 4.6L V8 RACING	2B529482 +	USA	8	REC882751A1		

ALTERNADOR

ALTERNATOR



ALTERNATORE

ALTERNATEUR

REF	OEM			
PH300-0048	892940T/T01	Verado 135 HP+ (4 & 6 cyl)	12 V 70 A	6

POLEA SERPENTIN
SERPENTINE PULLEY
PULLEGGIA SERPENTINA
POULIE SERPENTIN



REF	OEM		
PH300-0019	821663A1 821663	3.0 L 200 / 225 Carb & EFI	12 V 50 A

POLEA SENCILLA
SINGLE PULLEY
PULLEGGIA DFASDFASD
POULIE SIMPLE



REF	OEM			
PH300-0030	881248T 875285T1 889955	2.5 L NO NIPPONESO	12 V 50 A	4



REF	OEM			
PH300-0031	881247A1 875286A1 889956	3.0 L NO NIPPONESO	12 V 50 A	4



REF	OEM		2T STROKES	4T STROKES		
PH300-0047	50-897755T 8M0063970			✓	12 V 50 A	4




CORREA ALTERNADOR

ALTERNATOR BELT

CINGHIE ALTERNATORE


COURROIE ALTERNATEUR

REF	OEM		4T STROKES	2T STROKES
REC892318	57-892318 8M0012623 8M0026410			✓
REC828507Q4	57-828507Q4			✓
REC57-880566Q14	57-880566Q14		✓	
REC57-828507Q01	57-828507 1			✓




REF	OEM	
REC57-897574Q01	57-897574Q01	75, 80, 90, 100, 115 HP EFI

new

REF	OEM	
REC57-8M0031641	57-8M0031641	135, 150 HP (PROXS, SEAPRO)

new

REF	OEM	
REC57-8M0142251	57-8M0142251	V6 (3.4L) V8 (4.6L) NEW MODELS

new

P. 272


CORREA DISTRIBUCIÓN
TIMING BELT
CINGHIE DISTRIBUZIONE
COURROIE DE DISTRIBUTION


REGULADORES Y RECTIFICADORES


REGULATOR AND RECTIFIERS


REGOLATORI E RADDRIZZATORI


REGULATEURS ET RECTIFIEURS


REF	OEM	
PH350-0003	332-2910 62351 816770/T 78614 8M0058226	7.5 - 200HP





REF	OEM		2T STROKES	4T STROKES
PAF15-07060001	853811008	8, 9.9HP (209cc)		✓





REF	OEM	
REC6G1-81970-62	810937M 810937T 8M0091976	9.9C (682-) 15C (684-) 55 (663-)





REF	OEM		2T STROKES	4T STROKES
REC8M0134477	8M0134477	9.9 EFI (1R008146+) 10, 15, 20 EFI (OR833820+)		✓





REF	OEM		2T STROKES	4T STROKES
REC879147T62	879147T62	10, 15, 20 HP (2 cyl) (OR721383-OR721384)	12 V 50 A	✓





REF	OEM		2T STROKES	4T STROKES
REC893640T01	883072T2 854515T2 893640T01/T1	2, 3, 4 cyl 6 cyl (x2 un.) 25HP- 2 cyl. (1999-05) 30-40 HP - 3 cyl. (2002-05) 40, 50, 60 HP - 4 cyl. (2002-07) 135, 140, 150, 175, 200, 240 HP - 6 cyl. (2000-05) 30, 40, 50, 60 HP EFI		✓



REF	OEM		2T STROKES	4T STROKES
REC853811T10	853811T10 898103T14	25, 30 EFI (3 cyl) 25 JET EFI (3 cyl)		✓



REF	OEM		2T STROKES	4T STROKES
REC67F-81960-12	804278T11 804278T 804278T1	Design I 75 HP (OG960500 - 1B226999) 90 HP (OG960500 - 1B226999)		✓



REF	OEM		2T STROKES	4T STROKES
REC32800-38F10	881346T	75, 80, 90, 100, 115 HP EFI		✓



REF	OEM	2T STROKES	4T STROKES
REC8M0133642	8M0133642 8M0088351	75 - 115 EFI 115 PROXS 65, 80 JET	✓

REF	OEM	2T STROKES	4T STROKES
REC883072T	81579-1-2-3-4-5 815279T-2-4-5 815279A1-2-3 817411 830179-2 830179A1-2-3 830179T 854515/T1	105, 225 HP (1989-91) 105 - 225HP (1992-05)	✓



REF	OEM	2T STROKES	4T STROKES
REC815279A2	815279A2 12082A8 12082A7 12082A1 8152791	(1989-91) 16A 40A Charging system	✓

REF	OEM	2T STROKES	4T STROKES
REC69J-81960-13	888315A1 8M0057158	225 EFI (0T653945+)	✓

GUÍA REGULADORES

REGULATORS GUIDE

GUIDA REGOLATORI

GUIDE REGULATEUR

2T STROKES	4T STROKES	CYL	REF
10 EFI			
15 EFI			
15EFI SEAPRO 20EFI	OR832820+	2	REC8M0134477
25 EFI	OR106966+	3	REC853811T10
30 EFI	OP153500 -OP400999	3	REC883072T
30 EFI	OR106999+	3	REC853811T10
30 EFI	OT409000 - 1B226999	3	REC883072T
30 EFI	1C109093 - 1C456299	3	REC893640T01
30 EFI	1C456300+	3	REC893640T01
40 EFI	BEL OP153500 -OP400999	3	REC883072T
40 EFI	BEL OP401000 - OP515896	3	REC893640T01
40 EFI	USA OP409000 - 1B226999	3	REC883072T
40 EFI	USA 1B227000 - 1B355027	3	REC893640T01
40 EFI	1C000001 - 1C043416	3	REC893640T01
40 EFI	1C043417 - 1C456299	3	REC893640T01
40 EFI	1C456300+	3	REC893640T01
40 EFI	BEL OP153500 - OP400999	4	REC883072T
40 EFI	BEL OP401000 - OP515896	4	REC893640T01
40EFI	BEL OP515897 - OP580772	4	REC893640T01
40 EFI	USA OT409000 - 1B355222	4	REC883072T
40 EFI	USA 1C000001 - 1C050251	4	REC893640T01
40 EFI	USA 1C050252 - 1C453839	4	REC893640T01
40 EFI Et SEAPRO	USA 1C453840+	4	REC893640T01
50 EFI	BEL OP153500 - OP400999	4	REC883072T
50 EFI	BEL OP401000 - OP515896	4	REC893640T01
50 EFI	USA OT409000 - 1B355222	4	REC883072T
50 EFI Et SEAPRO (XS)	USA 2B095049+	4	REC8M0133642

2T STROKES	4T STROKES	CYL	REF
50 EFI	BEL OP515897 - OP580772	4	REC893640T01
50 EFI	USA OT409000 - 1B355222	4	REC883072T
50 EFI	USA 1C000001 - 1C050251	4	REC893640T01
50 EFI	USA 1C050252 - 1C453839	4	REC893640T01
50 EFI	USA 1C453840+	4	REC893640T01
60 EFI	BEL OP153500 - OP400999	4	REC883072T
60 EFI	BEL OP401000 - OP515896	4	REC893640T01
60 EFI	BEL OP515897 - OP580772	4	REC893640T01
60 EFI	USA OT409000 - 1B355222	4	REC883072T
60 EFI	USA 1C000001 - 1C050251	4	REC893640T01
60 EFI	USA 1C050252 - 1C453839	4	REC893640T01
60 EFI Et SEAPRO	USA 1C453840+	4	REC893640T01
75 EFI	USA 1B172291 - 1B366822	4	REC32800-38F10
75 EFI Et SEAPRO	2B095049+	4	REC8M0133642
80 EFI	USA 1B227000 - 1B366822	4	REC32800-38F10
80 EFI	2B095049+	4	REC8M0133642
90 EFI	USA 1B172291 - 1B366822	4	REC32800-38F10
90 EFI Et SEAPRO	USA 2B095049 +	4	REC8M0133642
100 EFI	USA 1B227000 - 1B366822	4	REC32800-38F10
100 EFI	USA 2B095049+	4	REC8M0133642
115 EFI	USA OT178500 - OT800999	4	REC32800-38F10
115 EFI	USA OT801000 - 1B226999	4	REC32800-38F10
115 EFI	USA 1B227000 - 1B366822	4	REC32800-38F10
115 EFI Et SEAPRO (XS)	2B095049+	4	REC8M0133642


CDI Y CAJAS NEGRAS

CDI & POWER PACK

CDI E CENTRALINA


CDI ET BOITIER ELECTRONIQUE


REF	OEM		2T STROKES	4T STROKES
REC803034T	823034T	2.5, 3.3, 3 HP - 1 cyl	✓	





REF	OEM		2T STROKES	4T STROKES
REC696-85540-12	41305M	Mariner 6C/D, 8C, W-48/W-55	✓	



REF	OEM		2T STROKES	4T STROKES
REC16061T04	16061T04	4, 5 HP - 1 cyl	✓	




REF	OEM		2T STROKES	4T STROKES
PAF8-05000400	835401T02	8 HP USA (OR042475+) 8 HP BEL (OP325500+) 9.9 HP USA (OR042475+) 9.9 HP BEL (OP325500+) (209cc)	✓	





new


REF	OEM		2T STROKES	4T STROKES
REC339-6222A10	339-5287A1-2-3-4 339-6222A10 899883229	4 - 20 HP - 2 cyl	✓	




REF	OEM		2T STROKES	4T STROKES
REC6G9-85540-29	825667 825667T	8 Bodensee Inter. USA (OH017100+) 9.9 (232 cc) USA (OH000058-OH016909)	✓	



REF	OEM		2T STROKES	4T STROKES
REC855713A3	855713A3 855713A4	6 - 25 HP - 2 cyl	✓	





REF	OEM		2T STROKES	4T STROKES
REC803704	803704T	Mercury 9.9, 15, 18 HP (Inter.) 2 cyl	✓	



REF	OEM		2T STROKES	4T STROKES
REC695-85540-11	430775/M	Mariner 9.9C, 15C, 15K, W15, 20C, 25C	✓	





REF	OEM		2T STROKES	4T STROKES
REC332-4911A8	332-4911A2-3-5-8 338-4733A2	20 - 40 HP - 2 cyl	✓	



REF	OEM		2T STROKES	4T STROKES
REC3G2-06060-2	803706A3 8M0047313 8M0071855	9.9, 15, 18 HP - 2 cyl. (Inter.)	✓	





REF	OEM		2T STROKES	4T STROKES
REC300-03107	332-5772A5 332-5772A1 332-5772A2 332-5772A3 332-5772A7	30 - 115 HP - 4 cyl	✓	





REF	OEM		2T STROKES	4T STROKES
REC18495A30	18495A9, A14, A15, A20, A21, A25, A30	15 - 25 HP - 2 cyl.	✓	



REF	OEM		2T STROKES	4T STROKES
REC18495A13	18495A4-5-6-8-13	40 - 50 HP - 2 cyl. Not A9-14-16-20-21-30	✓	



REF	OEM		2T STROKES	4T STROKES
REC899883230	339-7452 A2, A3 899883230	18 - 20 HP (1979-87) - 2 cyl	✓	





REF	OEM		2T STROKES	4T STROKES
REC6F5-85540-22	11737T	Mariner K40 HP	✓	





REF	OEM		2T STROKES	4T STROKES
REC339-7452A19	339-7452A1, A2, A3, A7, A8, A9, A10, A11, A14, A15, A21	20 - 35 HP - 2 cyl	✓	





REF	OEM		2T STROKES	4T STROKES
REC19052A8	19052A1, 2, 3, 4, 5, 6, 8	45 - 60 HP - 3 cyl	✓	





REF	OEM		2T STROKES	4T STROKES
REC663-85540-15	3030T/M	MARINER 48 / 55 / W-48, 60 HP - 2 cyl	✓	




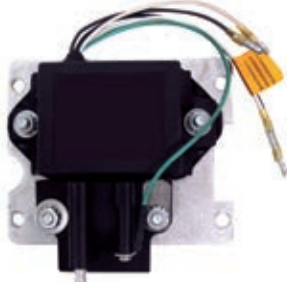
REF	OEM		2T STROKES	4T STROKES
REC18495A26	18495-A10-12-15-18-19-26	65 - 95 HP - 3 cyl	✓	




REF	OEM		2T STROKES	4T STROKES
REC300-01852	332-5524, A1 332-7778, A1, A3, A5, A6, A9, A12, A14	50 - 250 HP	✓	





REF	OEM		2T STROKES	4T STROKES
REC332-2986A27	332-2986A22 332-2986A21 332-2986A25 332-2986A27	65 - 150 HP - 4/6 cyl	✓	





TRIGGERS


REF	OEM		2T STROKES	4T STROKES
REC98450A10	98450A1-A3-A5-A10	6 - 25 HP - 2 cyl	✓	





REF	OEM		2T STROKES	4T STROKES
REC853960T	853960T 855747A1	30 - 40 HP - 2 cyl (1998-05)	✓	





REF	OEM		2T STROKES	4T STROKES
REC99021A14	99021A14 99021A11	30 - 40 HP - 2 Cyl. (1994-99) Motores con módulos TPM. Engines w/TPM Modules. Motori con moduli TPM. Moteurs avec modules TPM	✓	





REF	OEM		2T STROKES	4T STROKES
REC854512T	854512T 834520T 855745A12	30, 40, 50, 65, 75, 90 HP (1996-05)	✓	





REF	OEM		2T STROKES	4T STROKES
REC96452A4	73372A1	4 Cyl.		
	73410A1	40, 45 HP (1989-97)		
	76681A1	45 HP (1981-89)		✓
	770002	50 HP (1976-85)		
	96452A1-A4-A5	80 HP (1978-79) 85 HP (1976-77)		





REF	OEM		2T STROKES	4T STROKES
REC854513T	834821T	100, 115, 125 HP		
	855748A2	80JET-		✓
	854513T	4 cyl		





REF	OEM		2T STROKES	4T STROKES
REC96455A8	68162A3	3 Cyl.		
	68162A6	50, 60 HP (1984-90)		✓
	96455A1	65 HP (1976-79)		
	96455A8	70 HP (1977-87)		





REF	OEM		2T STROKES	4T STROKES
REC99021A6	99021A2, A6, K2	Mariner 100, 115, 125 HP - 4 cyl JET 80 HP		✓



REF	OEM		2T STROKES	4T STROKES
REC99021A16	99021A3, A5, A8, A13, A15, A16	70, 75, 80, 90 HP 3 cyl		✓





REF	OEM		2T STROKES	4T STROKES
REC96455T18	96455A18	135 - 240 HP - 6 cyl 6 PIN CONNECTOR		
	96455T18	135, 150, 175, 200 - XR6 HP 2.5L, 240 HP (2000 - 07)		✓



REF	OEM		2T STROKES	4T STROKES
REC96455A9	681621, A5, A8	90 - V225 HP - 6 cyl Jet, MagnumII, MagnumIII (105, 150 HP)		✓
	96455A4, A6, A9	XR4, XR6 (150, 175 HP) Promax, Super Magnum (150, 200, 225 HP)		



STARTOR



REF	OEM			2T STROKES	4T STROKES
REC398-5454A17	398-5454A2, A5, A6, A7, A8, A9, A17, A18, A55 6 cyl (1978-88) 9 A			✓	





REF	OEM			2T STROKES	4T STROKES
REC398-855721T8	398-855721T8 398-855721A4 6, 8, 9.9, 10, 15, 20 HP (1997-05)			✓	




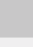
new

REF	OEM			2T STROKES	4T STROKES
REC398-5454A35	398-5454A11-A15-A16-A30-A31-A32-A34-A35-A36-A61-A64-A66 6 cyl (1980-88) 16 A			✓	



REF	OEM			2T STROKES	4T STROKES
REC398-852386T8	398-852386T8 398-852386A4 25, 30, 40 HP Arranque manual Manual Start Avviamento manuale Démarrage manuel (2 et 3 cyl))			16 A	✓




REF	OEM			2T STROKES	4T STROKES
REC339-6120A1	339-5212A1 339-5313A1 339-5589A1 339-5590A1 339-6119A1 339-6120A1 2 cyl 2 bobinas coils bobine bobine			✓	





REF	OEM			2T STROKES	4T STROKES
REC398-852387T9	398-852387T9 398-852387A4 25, 30, 40 HP Arranque eléctrico Electric Start Avviamento elettrico Démarrage électrique (2 et 3 cyl))			16 A	✓



REF	OEM			2T STROKES	4T STROKES
REC86617A20	86617A2-A3-A5-A9-A11-A13-A17-A20 2 cyl Kit. 6 - 25 HP			✓	



REF	OEM			2T STROKES	4T STROKES
PH400-0002	398-832075A3-A4-A5-A6-A9-A12, 398-9873A22-A28 30 HP - 2 cyl. (1996-99) 3, 40, 50, 55, 65, 75, 90 HP - 3 cyl. (1997-07) 80, 115, 125 HP - 4 cyl. (1996-06) 100, 120 HP - 4 cyl. (1995-00)			16 A	✓






new



REF	OEM			2T STROKES	4T STROKES
REC398-878143T05	398-878143T05 398-878143T3	30 - 60 HP 3,4 cyl EFI	16 A		✓

new

REF	OEM			2T STROKES	4T STROKES
REC398-5255	398-5255 398-4770	2 cyl 40 HP (3859435-5323917)	10 A	✓	





REF	OEM			2T STROKES	4T STROKES
REC398-832074A4	398-9710A11-12-14-15-22-23-25-28-30-31-33-34-36-38-39-43-45-46-47-48-49 398-9873A9-17-19-24-25-28-29-32-33-35-38-39 398-818535A17-18 F747095	40, 50, 55, 60, 65, 70, 75, 80, 90, 95 HP - 3 cyl. (1987-97) 30 Jet, 40, 80, 100, 115, 120, 125 HP - 4 cyl. (1989-97)	16 A		✓



Se debe usar con regulador REC883072T.
Must be used with regulator REC883072T.
Bisogna utilizzarlo con regolatore REC883072T.
Utiliser avec le régulateur REC883072T.




new



REF	OEM			2T STROKES	4T STROKES
REC398-832075A20	398-832075A20	45, 50 HP 4 cyl	16A		✓




REF	OEM			2T STROKES	4T STROKES
REC398-8778A29	398-8778A10-16-17-18-21-22-23-24-25-26-27-28-29 398-818535A3-5-8-9-10-13-14-15 F749095	40 HP - 4 cyl. (1989-91) 70-80 HP (1987-89) 90 HP (1987-92) 90 HP- 3 cyl. (1993) 100 HP (1988-96) 115 HP (1989-93) 125 HP - 4 cyl. (1994-96)	9 A		✓

Se puede usar tanto con regulador como con rectificador.
It can be used with either a voltage regulator or a rectifier.
Si più utilizzae sia con il regolatore che con il rettificatore.
On doit l'utiliser avec un régulateur ou un redresseur.



REF	OEM			2T STROKES	4T STROKES
REC398-5704A7	398-5704A2-A4-A5-A7	50, 60 HP - 3 cyl. (1984-90) 65 HP- 3 cyl. (1976) 70 HP - 3 cyl. (1977-85)	9 A		✓



new

REF	OEM			2T STROKES	4T STROKES
REC398-5454A26	398-5454A26	50, 60, 70 HP (3 cyl) (1976-90) 40, 45, 50, 55, 75, 80, 85 HP (4 cyl) (1976-97)	9 A		✓





REF	OEM	Icon	STROKES	2T	4T
REC300-8M0088059	300-8M0088059	75 - 115 HP EFI (2.1L) (2B095049+)	✓		

REF	OEM	Icon	STROKES	2T	4T
REC398-9610A19	398-9610A3-A5-A6-A9-A14-A19-A22-A24-A33	135 HP+ 6 cyl	40 A	✓	

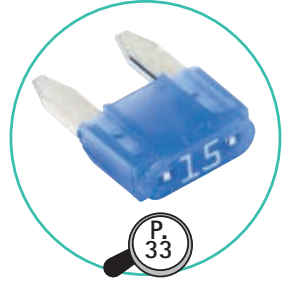


REF	OEM	Icon	STROKES	2T	4T
REC398-9610A18	398-9610A18	135-200 HP V-models	40 A	✓	

Kit conversión de arranque
Kit starter conversion
Kit conversione Starter
kit kit conversion démarreur




REF	OEM	Icon	STROKES	2T	4T
REC398-5454A7	398-5454A2 398-5454A7	6 cyl V-150-ZR-2 V-150 V-150 WORK V-1500 V-150 MAGNUM, (5600162-MARATHON MARATHON V-175, V-200	(4868998 - 0A904645) 9 A	✓	



GUÍA STARTOR EFI				STARTOR GUIDE EFI				GUIDA STARTOR EFI				GUIDE STARTOR EFI			
Icon	CYL	REF		Icon	CYL	REF		Icon	CYL	REF		Icon	CYL	REF	
	30	EFI	OP153500 - OP400999	3	REC398-878143T05				50	EFI	USA	1C453840 +	4	REC398-878143T05	
	30	EFI	OT409000 - 1B226999	3	REC398-878143T05				60	EFI	BEL	OP153500 - OP400999	4	REC398-878143T05	
	30	EFI	1C109093 - 1C456299	3	REC398-878143T05				60	EFI	BEL	OP401000 - OP515896	4	REC398-878143T05	
	30	EFI	1C456300 +	3	REC398-878143T05				60	EFI	BEL	OP515897 - OP580772	4	REC398-878143T05	
	40	EFI	BEL OP153500 - OP400999	3	REC398-878143T05				60	EFI	USA	OT409000 - 1B355222	4	REC398-878143T05	
	40	EFI	BEL OP401000 - OP515896	3	REC398-878143T05				60	EFI	USA	1C000001 - 1C050251	4	REC398-878143T05	
	40	EFI	USA OP409000 - 1B226999	3	REC398-878143T05				60	EFI	USA	1C050252 - 1C453839	4	REC398-878143T05	
	40	EFI	USA 1B227000 - 1B355027	3	REC398-878143T05				60	EFI	USA	1C453840 +	4	REC398-878143T05	
	40	EFI	1C000001 - 1C043416	3	REC398-878143T05				60	EFI & SEAPRO	USA	2B095049 +	4	REC300-8M0088059	
	40	EFI	1C043417 - 1C456299	3	REC398-878143T05				75	EFI & SEAPRO	USA	2B095049 +	4	REC300-8M0088059	
	40	EFI	1C456300 +	3	REC398-878143T05				80	EFI	USA	2B095049 +	4	REC300-8M0088059	
	40	EFI	BEL OP153500 - OP400999	4	REC398-878143T05				90	EFI & SEAPRO	USA	2B095049 +	4	REC300-8M0088059	
	40	EFI	BEL OP401000 - OP515896	4	REC398-878143T05				100	EFI	USA	2B095049 +	4	REC300-8M0088059	
	40	EFI	USA OP409000 - 1B226999	3	REC398-878143T05				115	EFI & SEAPRO (XS)	USA	2B095049 +	4	REC300-8M0088059	
	40	EFI	USA 1B227000 - 1B355027	3	REC398-878143T05				80	EFI	USA	1B227000 - 1B366822	4	REC32800-38F10	
	40	EFI	1C000001 - 1C050251	4	REC398-878143T05				80	EFI	USA	2B095049 +	4	REC8M0133642	
	40	EFI	USA 1C050252 - 1C453839	4	REC398-878143T05				90	EFI	USA	1B172291 - 1B366822	4	REC32800-38F10	
	40	EFI & SEAPRO	USA 1C453840 +	4	REC398-878143T05				90	EFI & SEAPRO	USA	2B095049 +	4	REC8M0133642	
	50	EFI	BEL OP153500 - OP400999	4	REC398-878143T05				100	EFI	USA	1B227000 - 1B366822	4	REC32800-38F10	
	50	EFI	BEL OP401000 - OP515896	4	REC398-878143T05				100	EFI	USA	2B095049 +	4	REC8M0133642	
	50	EFI	BEL OP515897 - OP580772	4	REC398-878143T05				115	EFI	USA	OT178500 - OT800999	4	REC32800-38F10	
	50	EFI	USA OT409000 - 1B355222	4	REC398-878143T05				115	EFI	USA	OT801000 - 1B226999	4	REC32800-38F10	
	50	EFI	USA 1C000001 - 1C050251	4	REC398-878143T05				115	EFI	USA	1B227000 - 1B366822	4	REC32800-38F10	
	50	EFI	USA 1C050252 - 1C453839	4	REC398-878143T05				115	EFI & SEAPRO (XS)	USA	2B095049 +	4	REC8M0133642	

GUÍA

APPLICATION

GUIDA

GUIDE

🔧	CYL	CAJA NEGRA POWER PACK CENTRALINA		BOITIER ELECTRONIQUE	STARTOR	TRIGGER	REGULADOR REGULATOR REGOLATORE REGULATEUR
2	1	OT884302 +	REC803034T				
2.5, 3.3	1	OP017000 +	REC803034T				
4	Gnat 40	2 1976-80	9075839-5595531	REC339-6222A10	REC339-6120A1		
		2 1980	5589202-5595531	REC339-6222A10	REC339-6120A1		
6		2 1986-96	A197112-OG289100	REC339-7452A19	REC86617A20	REC98450A10	
7.5	75	2 1974-86	3801458-A197111	REC339-6222A10	REC339-6120A1		PH350-0003
8		2 1986-96	A197112-OG289100	REC339-7452A19	REC86617A20	REC98450A10	
9.8	110	2 1974-78	3795659-5206549	REC339-6222A10	REC339-6120A1		PH350-0003
		2 1979-85	5206550-6620196	REC339-6222A10	REC339-6120A1		
9.9		2 1986-96	A197112-OG289100	REC339-7452A19	REC86617A20	REC98450A10	
10		2 1986-96	A197112-OG289100	REC339-7452A19	REC86617A20	REC98450A10	
15	S15 XD/S15 Sea Pro SEAPRO XD SUPER	2 1988-93	B238464-OG044365	REC339-7452A19	REC86617A20	REC98450A10	
		2 1996-97	OG438000-OG760299	REC339-7452A19	REC86617A20	REC98450A10	PH350-0003
		2 1996-97	OG438000-OG760299	REC339-7452A19	REC86617A20	REC98450A10	PH350-0003
		2 1994-97	OG044027-437999	REC18495A30	REC86617A20	REC98450A10	PH350-0003
		2 1994-97	OG044027-437999	REC18495A30	REC86617A20	REC98450A10	PH350-0003
		2 1980-93	5837437-OG044026	REC899883230	REC86617A20	REC98450A10	
18	XD 200	2 1979-87	5837437-B114230	REC899883230	REC86617A20	REC98450A10	
		2 1973-77	3537531-4709592	REC332-4911A8			
		2 1977-81	4709593-5837436		REC339-6120A1		
		2 1979-87	5837437-B114230	REC899883230	REC86617A20	REC98450A10	
20		2 1980-87	5705532 - B238463	REC339-7452A19	REC86617A20	REC98450A10	
		2 1980-87	5705532 - B238463	REC899883230	REC86617A20	REC98450A10	
	JET	2 1988-94	B238464-OG044026	REC339-7452A19	REC86617A20	REC98450A10	
		2 1994-97	OG044027-437999	REC18495A30	REC86617A20	REC98450A10	PH350-0003
	Sea Pro	2 1994-97	OG044027-437999	REC18495A30	REC86617A20	REC98450A10	PH350-0003
		2 1996-97	OG438000-OG760299	REC339-7452A19	REC86617A20	REC98450A10	PH350-0003
	XD	2 1997-98	OG438000-OG760299	REC86617A20	REC98450A10	PH350-0003	
		2 1979-87	5837437-B114230	REC899883230	REC86617A20	REC98450A10	
		2 1979-87	5705532 - OB238463	REC899883230	REC86617A20	REC98450A10	
		2 1979-87	5705532 - OB238463	REC339-7452A19	REC86617A20	REC98450A10	
		2 1988-93	OB238464-OG044365	REC339-7452A19	REC86617A20	REC98450A10	
		2 1994-97	OG044027-OG437999	REC86617A20	REC98450A10	PH350-0003	
25	Jet 20 MARATHON	1994-97	OG044027-437999	REC18495A30	REC86617A20	REC98450A10	PH350-0003
		2 1994-97	OG044027-437999	REC18495A30	REC86617A20	REC98450A10	PH350-0003
	SEA PRO	2 1994-97	OG044027-437999	REC18495A30	REC86617A20	REC98450A10	PH350-0003
		2 1996-97	OG438000-OG760299	REC339-7452A19	REC86617A20	REC98450A10	PH350-0003
	Sea Pro	2 1996-97	OG438000-OG760299	REC339-7452A19	REC86617A20	REC98450A10	PH350-0003
		2	-OG960499		REC398-852386T8		REC883072T
	4T/Stroke (Man. Start) 16 A	2	-OG960499		REC398-852387T9		REC883072T
		2	-OG960499				
	Man.-Elec.	1998-99	OG590000-OG760299		REC853960T		
		1999-06	OG760300-OT979999		REC853960T		
30	JET	4 1989-97	C159200-OG589999	REC300-03107	REC398-5704A7	REC96452A4	PH350-0003
		3	-OG960499		REC398-852386T8		REC883072T
	4T/Stroke (Man. Start) 16 A	3	-OG960499		REC398-852387T9		REC883072T
		3	-OG960499				
35		2 1984-89	6445653-B393190	REC899883230	REC86617A20	REC98450A10	PH350-0003
		2 1984-89	6445653-B393190	REC339-7452A19	REC86617A20	REC98450A10	
	402 Elect. Start.	2 1975-77	4117710-4860102	REC332-4911A8			PH350-0003
		2 1975-81	4117710-5823917	REC332-4911A8			
	Man. Start	2 1978-81	4860103 - 5823917	REC332-4911A8			PH350-0003
		2 1981-84	5823918-6052942	REC899883230	REC86617A20		PH350-0003
	Elect. Start	2 1981-84	6052943-6999999	REC899883230	REC86617A20		PH350-0003
		2 1981-84	5823918-6999999	REC899883230	REC86617A20		
	Elect. Start	4 1989-91	C159200 - D055047	REC300-03107	REC398-5704A7	REC96452A4	PH350-0003
		4 1989-91	C159200 - D055047	REC300-03107	REC398-5704A7	REC96452A4	
	Man. Start	4 1991-96	D055048-OG291031	REC300-03107	REC398-832074A4	REC96452A4	REC883072T
		1998-05	OG760300-OT979999			REC853960T	
	Man. Elec.	3 1997-99	OG531301-OG760300		PH400-0002		
		4 1989-97	C159200 - OG589999	REC300-03107	REC398-5704A7	REC96452A4	PH350-0003
	JET	3	-OG960499		REC398-852386T8		REC883072T
		3	-OG960499		REC398-852387T9		REC883072T
	4T/Stroke (Man. Start) 16 A	3	-OG960499		REC398-852386T8		REC883072T
		3	-OG960499		REC398-852387T9		REC883072T
	Elect. Start	4 1981-89	5531630-B393190	REC300-03107	REC398-5704A7	REC96452A4	PH350-0003
		4 1981-89	5531630-B393190	REC300-03107		REC96452A4	
45	Man. Start	3 1991-99	D000750-OG589999	REC19052A8	REC398-832074A4		REC883072T
		4 1976-79	4357640-5531629	REC300-03107	REC398-5704A7	REC96452A4	PH350-0003
	Man. Start	4 1976-79	4357640-5531629	REC300-03107	REC398-5704A7	REC96452A4	PH350-0003
		4 1980-85	5531630-6586624	REC300-03107	REC398-5704A7	REC96452A4	PH350-0003
	Elect. Start	4 1980-85	5531630-6586624	REC300-03107	REC398-5704A7	REC96452A4	PH350-0003
		3 1984-90	6428681-D000749	REC300-01852	REC398-5704A7	REC96455A8	PH350-0003
50	Man. Start	3 1991-99	D000750-OG589999	REC19052A8	REC398-832074A4		REC883072T
		3 1997-99	OG531301-OG760300		PH400-0002		
	Elect. Start	3 1997-00	OG531301-OG760300		PH400-0002		
		3 1991-99	D000750-OG589999	REC19052A8	REC398-832074A4		REC883072T
55	Elect. Start	3 1996-98	G290585-OG589999	REC19052A8	REC398-832074A4		
		3 1996-98	G290585-OG589999	REC19052A8			
60	Man. Start	3 1984-90	6428681-D000749	REC300-01852	REC398-5704A7	REC96455A8	PH350-0003
		3 1991-97	D000750-OG589999	REC19052A8	REC398-832074A4		PH350-0003
	650	4 1967	2119749-2309310	REC332-2986A27			PH350-0003
		4 1969-71	2503991-3293183	REC332-2986A27			PH350-0003
65		3 1976-79	4382057-4571651	REC300-01852	REC398-5704A7	REC96455A8	PH350-0003
		3 1994-96	D283222-OG437999	REC18495A26	REC398-832074A4		REC883072T
	Jet Elect Start	3 1994-96	D283222-OG437999	REC18495A26	REC398-832074A4		REC883072T
	Jet Man Start	3 1994-96	D283222-OG437999	REC18495A26			

		CYL	CAJA NEGRA POWER PACK CENTRALINA			REGULADOR REGULATOR REGULATEUR	
			BOITIER ELECTRONIQUE	STARTOR	TRIGGER		
70	9 A	3 1977-87	4571652-A730815	REC300-01852	REC398-5704A7	REC96455A8	PH350-0003
	16 A	3 1987-93	A996142 - D283221	REC300-01852	REC398-8778A29		PH350-0003
		3 1987-93	A996142 - D283221	REC300-01852	REC398-832074A4		REC883072T
75	9 A	3 1987-93	A996142 - D283221	REC300-03107		REC96455A8	PH350-0003
	16 A	3 1987-93	A996142 - D283221	REC300-01852	REC398-8778A29	REC99021A16	PH350-0003
	Elect. Start	3 1987-93	A996142 - D283221	REC300-01852	REC398-832074A4	REC99021A16	REC883072T
	Man. Start	3 1994-96	D283222-OG437999	REC18495A26	REC398-832074A4	REC99021A16	REC883072T
		3 1994-96	D283222-OG437999	REC18495A26		REC99021A16	
		3 1996-00	OG438000-OG760299		PH400-0002		
80	800	4 1969	2559001-2991033	REC332-2986A27			PH350-0003
	800	4 1970	3052381-3059820	REC332-2986A27			PH350-0003
	800	4 1971-72	3307347-3493912	REC332-2986A27			PH350-0003
	9 A	3 1987-93	A996142-D283221	REC300-01852	REC398-8778A29	REC99021A16	PH350-0003
	16 A	3 1987-93	A996142-D283221	REC300-01852	REC398-832074A4	REC99021A16	PH350-0003
	JET	4 1994-97	D283222-OG437999	REC300-03107	REC398-832074A4	REC99021A16	PH350-0003
	JET	4 1996-06	OG438000-IB000001			REC854513T	
	850	4 1973-75	3493913-4366801	REC332-2986A27			PH350-0003
	850	4 1976-77	4366802-4831998	REC300-03107		REC96452A4	PH350-0003
	Inline	1978-79	845301-5299505	REC332-2986A27			PH350-0003
	Inline	6 1979-86	5299506 - B110053	REC300-01852	REC398-5454A17	REC96455A9	PH350-0003
	Elect. Start	3 1987-92	A996142 - C221999	REC300-01852	REC398-8778A29	REC96455A8	PH350-0003
Elect. Start	3 1993-96	C222000-OG437999	REC18495A26	REC398-832074A4	REC99021A16	REC883072T	
Man. Start	3 1994-96	D283222-OG437999	REC18495A26		REC99021A16		
90		3 1996-99	OG438000-OG760299		PH400-0002		
	Sport Jet	3 1995	E021000-E095087	REC300-01852	REC398-8778A29		REC883072T
	Sport Jet	3 1995-96	E080400-E145579	REC18495A26	REC398-8778A29		REC883072T
	950	6 1966-67	2101743-2318585	REC332-2986A27			PH350-0003
	XRSprtJet	3 1995-97	E141089 - E315900	REC18495A26	REC398-832074A4		REC883072T
100	1000 Inline	6 1967-69	2641855-3253111	REC332-2986A27			
		4 1988-93	B209468 - D283221	REC300-03107	REC398-8778A29	REC99021A16	REC883072T
105	9 A	4 1994-96	D283222-OG437999	REC300-03107	REC398-8778A29	REC99021A16	REC883072T
	16 A	4 1994-96	D283222-OG437999	REC300-03107	REC398-832074A4	REC99021A16	REC883072T
	JET	6 1992-95	D082000-OG201874	REC300-01852	PH400-0002	REC96455A9	REC883072T
110	JET	6 1996-00	OG303046-OG840500	REC300-01852	PH400-0002	REC96455A9	REC883072T
	1100 Inline	6 1967	2113898-2314955	REC332-2986A27			PH350-0003
115	150SSInlin	6 1970-79	2836019-5314655	REC332-2986A27			PH350-0003
	Inline	6 1979-80	5314656-5600966	REC300-01852	REC398-5454A17	REC96455A9	PH350-0003
	Inline	6 1980-82	5600967-6051525	REC300-01852	REC398-5454A17	REC96455A9	PH350-0003
	Inline	6 1982-89	6051526-C10000	REC300-01852	REC398-5454A17	REC96455A9	PH350-0003
	9 A	4 1989-93	C100000-D252460	REC300-03107	REC398-8778A29	REC99021A16	REC883072T
120	16 A	4 1989-97	C100000-OG437999	REC300-03107	REC398-832074A4	REC99021A16	REC883072T
	XRSprtJet	4 1995-97	E141089 - E315900		PH400-0002		REC883072T
125	1250 Inline	6 1968-69	2314956-3253111	REC332-2986A27			PH350-0003
	9 A	4 1994-96	D283222-OG437999	REC300-03107	REC398-8778A29	REC99021A16	REC883072T
135	16 A	4 1994-96	D283222-OG437999	REC300-03107	REC398-832074A4	REC99021A16	REC883072T
	1350 Inline	6 1970-71	2839369-3293233	REC332-2986A27			PH350-0003
	V-135	6 1985-88	A904646-C100860	REC300-01852	REC398-5454A17	REC96455A9	PH350-0003
	V-135	6 1989-90	C100861-C239552	REC300-01852	REC398-9610A19	REC96455A9	
	V-135 16 A	6 1990-91	C239553-D081999	REC300-01852	REC398-832074A4	REC96455A9	PH350-0003
	V-135 40 A	6 1990-91	C239553-D081999	REC300-01852	REC398-9610A19	REC96455A9	
	V-135 40 A	6 1992-95	D082000-OG201874	REC300-01852	REC398-9610A19	REC96455A9	REC883072T
140	V-135 40 A	6 1996-00	G303046-G840500	REC300-01852	REC398-9610A19	REC96455A9	REC883072T
	V-135	6 1900-01	OG960500-OT178499			REC96455T18	
	1400 Inline	6 1972	3293234-3502805	REC332-2986A27			PH350-0003
	Inline	6 1978-79	4855153-5314655	REC332-2986A27			PH350-0003
	Inline	6 1979	5327663-5625107	REC300-01852	REC398-5454A17	REC96455A9	PH350-0003
	140	6 1980	5625108-5669999	REC300-01852	REC398-5454A17	REC96455A9	PH350-0003
150	Jet	6 1992-95	D082000-OG201874	REC300-01852	REC398-9610A19	REC96455A9	REC883072T
	Jet	6 1996-99	OG303046-OG760300	REC300-01852	REC398-9610A19	REC96455A9	REC883072T
	Jet	6 2000-01	OG960500-OT178499			REC96455T18	
	1500 Inline	6 1973-77	3502806-4868997	REC332-2986A27			
	XR2 Mag	6 1978-86	4868998-0A904645	REC300-01852		REC96455A9	PH350-0003
	V-135	6 1985-88	A904646-C100860	REC300-01852	REC398-5454A17	REC96455A9	PH350-0003
175	V-150	6 1989-90	C100861-C239552	REC300-01852	REC398-9610A19	REC96455A9	
	V-150 16 A	6 1990-91	C239553-D081999	REC300-01852	REC398-5454A17	REC96455A9	PH350-0003
	V-150 40 A	6 1990-91	C239553-D081999	REC300-01852	REC398-9610A19	REC96455A9	
	V-150 40 A	6 1992-95	D082000-OG201874	REC300-01852	REC398-9610A19	REC96455A9	REC883072T
	V-150 40 A	6 1996-00	OG303046-OG840500	REC300-01852	REC398-9610A19	REC96455A9	REC883072T
	V-150 2T	6 2000-05	OG960500-OT178499			REC96455T18	
	Black Max	6 1976-79	4301235-5393736	REC300-01852	REC398-5454A17	REC96455A9	PH350-0003
	Black Max	6 1979-84	5593737-6618750	REC300-01852	REC398-5454A17	REC96455A9	PH350-0003
V-175 9 A	6 1985-88	6618751-C100860	REC300-01852	REC398-5454A17	REC96455A9	PH350-0003	
V-175 15 A	6 1985-88	6618751-C100860	REC300-01852	REC398-5454A35	REC96455A9	PH350-0003	
V-175 40 A	6 1989-90	C100861-C239552	REC300-01852	REC398-9610A19	REC96455A9		
V-175 16 A	6 1990-91	OC239553-OD081999	REC300-01852	REC398-5454A35	REC96455A9	PH350-0003	
V-175 40 A	6 1990-91	OC239553-OD081999	REC300-01852	REC398-9610A19	REC96455A9		
XRi 40A	6 1992-95	OD082000-OG201874	REC300-01852	REC398-9610A19	REC96455A9	REC883072T	
XRi 40A	6 1996-00	OG303046-OG840500	REC300-01852	REC398-9610A19	REC96455A9	REC883072T	
XR2 SptJet	6 1997-99	OE151580-OE345000	REC18495A26		REC96455A9	REC883072T	
V-175 EFI 2T	6 2000-01	OG960500-OT178499			REC96455T18		

		CYL		CAJA NEGRA	STARTOR	TRIGGER	REGULADOR	
				POWER PACK			REGULATOR	
				BOITIER ELECTRONIQUE			REGULATEUR	
200	Black Max	6	1978-79	4839034 - 5363917	REC300-01852	REC398-5454A17	REC96455A9	PH350-0003
	Black Max	6	1979-81	5363918-6073191	REC300-01852	REC398-5454A17	REC96455A9	PH350-0003
	V-200 15 A	6	1982-90	6073192-C239553	REC300-01852	REC398-5454A17	REC96455A9	PH350-0003
	V-200 16 A	6	1985-90	6625221-C239553	REC300-01852	REC398-5454A17	REC96455A9	PH350-0003
	V-200 16 A	6	1989-95	C100861-OG201874	REC300-01852	REC398-5454A17	REC96455A9	PH350-0003
	V-200 Xri 40A	6	1989-91	C100861-OG303045	REC300-01852	PH400-0002	REC96455A9	
	V-200 16 A	6	1992-99	D082000-OG201874	REC300-01852	REC398-5454A17	REC96455A9	REC883072T
	V-200 40 A	6	1989-91	OG201875-OG30345	REC300-01852	REC398-9610A19	REC96455A9	
	V-200 2T	6	2000-05	OG960500-OT178499			REC96455T18	
	EFI	6	1992-99	D082000-OG840500	REC300-01852	REC398-9610A19	REC96455A9	REC883072T
	EFI	6	2000-05	OG960500-OT178499			REC96455T18	
	V-200	6	1987-88	B117316-C100860	REC300-01852	REC398-5454A17	REC96455A9	PH350-0003
	225 V-225	6	1981-93	5628028-D280812	REC300-01852	REC398-5454A17	REC96455A9	PH350-0003
	250 2.5L 16 A	6	1989-94	C101891-D280900	REC300-01852	REC398-5454A17		PH350-0003
250 2.5L 40 A	6	1989-94	C101891-D280900	REC300-01852	REC398-9610A19			
275 16 A	6	1989-94	C101891-D280900	REC300-01852	REC398-5454A17		PH350-0003	
275 40 A	6	1989-94	C101891-D280900	REC300-01852	REC398-9610A19			
300 3.4L	6	1980-87	5611648-A996135	REC300-01852	REC398-5454A17		PH350-0003	

MÓDULOS Y LIMITADORES	MODULES & LIMITATORS	MODULI E LIMITATORI	MODULES ET LIMITEURS
-----------------------	----------------------	---------------------	----------------------

MÓDULO ALARMA ACEITE	OIL WARNING MODULE	MODULO DI ALLARME OLIO	MODULE ALARME HUILE
----------------------	--------------------	------------------------	---------------------

REF	OEM	
REC14857A16	14857A10, A16	30 Jet, 40, 45 Jet, 50, 55, 60 HP (3 Et 4 cyl)



LIMITADOR RPM	RPM LIMITER	LIMITATORE RPM	LIMITEUR RPM
---------------	-------------	----------------	--------------

REF	OEM	
REC821889A50	821889A9, A22, A29, A34, A38, A40, A42, A46, A50, A51	5.200 r.p.m.



MERCATHODE

REF	OEM	
REC42600A09	42600A1/3/5/09	Verado 4Et 6 cyl (in-line) 2.5l (DFI) 3.0L (EFI)

new

MERCURY

RECAMBIOS MARINOS

DESCONECTORES DE SEGURIDAD

REF	OEM
REC200	



CUT OFF SWITCHES

REF	OEM
REC6A0-82550-01	87-93102M



CHIAVETTA DI SICUREZZA

REF	OEM
REC688-82575-01	87-97682M



COUPE CIRCUIT DE SECURITE

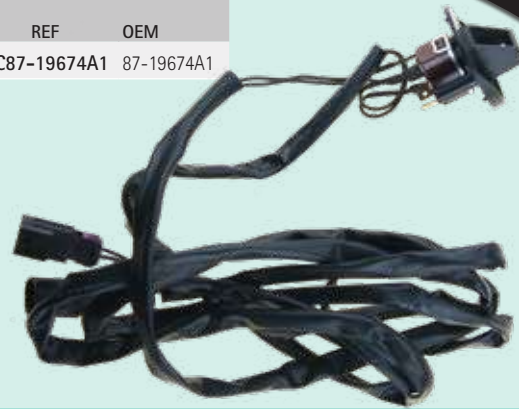
REF	OEM
REC65W-82575-01	87-97757M



REF	OEM	HP
REC87-823609A17	87-823609A17	6 - 25



REF	OEM
REC87-19674A1	87-19674A1



REF	OEM
REC8M0092849	15920A54
	8M0092850
	8M0092849
	86352
	86352A48
86352A54	



KITS

Interruptor de encendido para todo tipo de motores fueraborda o intraborda

KITS

Emergency and stop switch for inboard or outboards.

KIT

Interruttore di accensione per tutti i tipi di motori fuoribordo o entrobordo.

KITS

Coupe circuit de sécurité pour moteur inboard ou hors-bord

REF KIT	CUERDA WIRE CORDA CORDON	Icon
REC40970	REC40990	1



REF KIT	CUERDA WIRE CORDA CORDON	Icon
GS11290	GS11291	1



REF KIT	Icon
GS11292	1



REF	Icon	Icon
GS11294	J/E, OMC, Mercury, Yamaha, Honda, Suzuki, Tohatsu.	1



TRIM, TILT & POWER TRIM

INSTALACIÓN ELÉCTRICA

WIRING HARNESS

INSTALLAZIONE ELETTRICA

INSTALLATION ELECTRIQUE

KIT CONVERSIÓN
Sustituye de 2 a 3 cables.

CONVERSION KIT
Converts 3-wire Tilt and Trim motors to 2-Wire design

KIT CONVERSIONE
Sustituisce da 2 a 3 cavi.

FAISCEAU CONVERTISSEUR 3 A 2 FILS

REF	OEM
PH200-WH01	84-819514T26 84-826075A2 84-826802A4



VÁLVULA DE ALIVIO

MANUAL RELEASE VALVE

VALVOLA SCARICO MANUALE

SOUPAPE DE DEBLOCAGE MANUEL

REF	OEM
REC893929A01	893929A01 813442A2 813442A1 811618A1 811618 812843A1 99660A1



LATIGUILLOS TRIM

TRIM HOSES

TUBO TRIM

TUYAU DE TRIM

REF	OEM	Icon
REC32-88005	32-88005	35 HP (2 cyl) 50, 60, 70 HP (3 cyl)
REC32-88006	32-88006	45, 50 HP (4 cyl)



MOTOR TRIM COMPLETO

COMPLETE TRIM ASSEMBLY

MOTORINO TRIM COMPLETO

MOTEUR DE TRIM COMPLET

REF	OEM	Icon	Icon	Icon	2T STROKES	4T STROKES
REC827675A1	827675A1	25 - 50 HP	4	2		✓



REF	OEM	Icon	Icon	2T STROKES	4T STROKES
PH200-T003	818903A1	30 JET			
	819762A4-A7	35			
	819479A1	40 2, 3, 4 cyl			
	809885A2	40, 45 & BIGFOOT			
	819480A1	50 3 cyl & BIGFOOT			
	81977A8-A9	55 3 cyl			
	822870A1	60 3 cyl & BIGFOOT	2		✓
	830250A3-T3	65 JET			
	832021A1-T4-A2-T2	75 3 cyl			
	855654A1-T2	80 JET			
19217A1-A5	90 3 cyl 100,115 & 125 4 cyl.				

REF	OEM	Icon	Icon	2T STROKES	4T STROKES
REC878265A6	811628 878265A6	40 - 225HP (1985+)	2		✓

Con sistema TRIM, Design II
With TRIM system, Design II
Con il sistema di TRIM, Design II
Avec système Trim, Design II



REF	OEM			2T STROKES	4T STROKES
REC826729A10	99186/T			3	✓
	99186-1				
	826729A4				
	826729A4/07				
	826729A/08				

40 - 220HP
O/B (1985-92)

Con sistema TRIM, Design I
With TRIM system, Design I
Con il sistema di TRIM, Design I
Avec système Trim, Design I







REF	OEM			2T STROKES	4T STROKES
PH200-T015	17649A1/A02			3	✓
	V150, V175, V200, V225, V3.4L				




REF	OEM			2T STROKES	4T STROKES
PH200-T033	824051			2	✓
	830250A6				


65 Et 80 JET,
75 Et 90 (3 cyl)
100, 115 Et 125
(4 cyl)



REF	OEM			2T STROKES	4T STROKES
PH200-T008	823653A5/A9			3	✓
	92459A4				



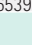
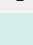
225-250-275HP
V-3.4L




REF	OEM			2T STROKES	4T STROKES
REC8M0089940	8M0089940			2	✓
	8M0142591				

65 - 300HP
EFI
NEW V6 Et V8



REF	OEM			2T STROKES	4T STROKES
PH200-T069	888645T1			2	✓
	88845T02				

225 EFI V6
(0T653945+)



REF	OEM			2T STROKES	4T STROKES
PH200-T010	135, 150XR6, 175, 200, 225, 250, (EFI / DFI)			2	✓
	300X (3.0L EFI)				
	MAGNUM III, 105-140 JET				
	Ultimo modelo V6				
	Late model V6				
Ultimo modelo V6					
	Dernière modèle V6				




P 45



REF
LUB11578U12


POWER TRIM COMPLETO

COMPLETE POWER TRIM ASSEMBLY



MOTORINO POWER TRIM COMPLETO


POWER TRIM COMPLET

REF	OEM			
REC8M0143219	8M0143219 855998A3, 05, 07, 08, 09, 10, 11 855998T1 826729T2 862729A2, 6			3-RAM SYSTEM (1996-10) DESIGN II AFT FILL 2



new

REF	OEM			
REC826729A10K	818186A6 826729A07 826729A08 826729A09 826729AA10 826729A4			3-RAM SYSTEM (1984-95) 3




new


KIT REPARACIÓN TRIM

RAPAIR KIT, TRIM

KIT RIPARAZIONE TRIM

KIT REPARATION TRIM

REF	OEM		2T STROKES	4T STROKES
REC878408A1	878408A1		110 - 300 HP	✓ ✓



new



P. 53

REF
RECTOOLTRIMKIT

SENSOR DE TRIM

TRIM SENSOR

SENSORE TRIM

SONDE TRIM

REF	OEM		2T STROKES	4T STROKES
REC8M0098264	8M0098264 8M0075845 821400A2		30 - 125 HP	✓ ✓



new

REF	OEM		2T STROKES	4T STROKES
REC888590002	888590002 888590		200 - 300 HP VERADO 6 cyl	✓



new

REF	OEM		2T STROKES	4T STROKES
REC896688001	896688001		135 - 225 HP VERADO 4 cyl	✓ ✓



new

PLATINOS Y CONDESADORES

POINTS & CONDENSERS

PUNTINE E CONDENSATORE

VIS PLATINEES ET CONDENSATEUR

CONDENSADORES


CONDENSERS

CONDENSATORI

CONDENSATEUR

REF	OEM	
REC394-1130A1	394-1130A1	500



REF	OEM	
REC398-693	398-693	60, 100, 110, 150, 200, 250




PLATINOS


POINTS

PUNTINE


VIS PLATINEES

REF	OEM	
REC398-174	398-174	60, 100, 110, 150, 200, 250



REF	OEM	
REC398-2202	398-2202	39, 40 HP (1 cyl) 60, 75, 110, 350



REF	OEM	
REC394-1100A3	394-1100A3	300, 350



KITS

REF	PLATINO POINT PUNTINO VIS PLATINEE	CONDENSADOR CONDENSER CONDENSATORE CONDENSATEUR
REC18-5007	REC398-174	REC398-693
REC18-5012	REC394-1100A3	REC394-1130A1



REC18-5007



REC18-5012

JUNTAS DISTRIBUIDOR


DISTRIBUTOR GASKET

GUARNIZIONE
DISTRIBUTORE


JOINT DE DISTRIBUTEUR

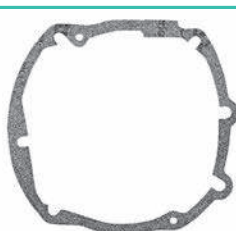
REF	OEM	
REC27-25725	27-25725	40-65 HP




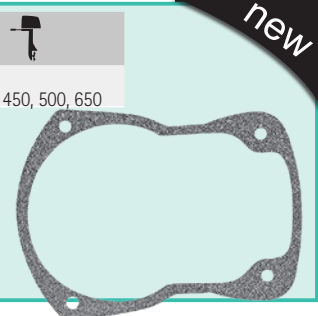
REF	OEM	
REC27-47190	27-47190	500 650 (4 cyl) (1970-75)



REF	OEM	
REC27-46351	27-46351	650 (4 cyl) 950 (6 cyl)



REF	OEM	
REC27-29166	27-29166	L4 cyl 300, 400, 450, 500, 650



new

SISTEMA DE GOBIERNO STEERING SYSTEM

SISTEMA DI GUIDA SYSTÈME DE DIRECTION

MANDOS DE CONTROL ENGINE CONTROLS

COMANDI DI CONTROLLO



BOITIER DE COMMANDE

MANDO LATERAL

SIDE CONTROL

COMANDO LATERALE

BOITIER LATÉRAL

REF	OEM		CABLES	
REC881170A3	881170A3 16901A15 16902A15	8	15 ft 4.58 m	4000 (1993)





Mando de control de generación 1. Cuando se usa con motores fueraborda de 4 tiempos de 8, 9.9, 15, 20 HP de 2005 y posteriores, se requiere un arnés adaptador

This is a generation 1 control box. When used with 2005 and newer 8, 9.9, 15, 20 HP 4 Stroke outboards an adapter harness is required

Questa è una scatola di controllo di prima generazione. Se utilizzato con fuoribordo a 4 tempi 8, 9.9, 15, 20 HP dal 2005 e più recenti, è necessario un cablaggio adattatore

Il s'agit d'un boîtier de commande de génération 1. Lorsqu'il est utilisé avec les moteurs hors-bord 8, 9.9, 15, 20 HP 4 temps 2005 et plus récents, un câble adaptateur est requis

REF	OEM	TRIM		CABLES	
REC881170A15	881170A15 881170A1 16900A15	✓	8	15 ft 4.58 m	4000 (1993-05) 40 HP



MERCURY

RECAMBIOS
MARINOS



Mariner 30 a 55 (origen japonés), excepto 30/40 (2 cil.) con inyección de aceite integral

Mariner 30 to 55 (Japanese origin), except 30/40 (2 cyl.) with integral oil injection

Mariner da 30 a 55 (origine giapponese), tranne 30/40 (2 cil.) Con iniezione d'olio integrale

Mariner 30 à 55 (origine japonaise), sauf 30/40 (2 cyl.) avec injection d'huile intégrée

new

REF	OEM	 CABLES	
REC881170A7	881170A7 16907A15	7 16 ft	30 - 55 HP (JAPAN)






Fueraborda de cuatro tiempos con arranque eléctrico y Power trim.

Four Stroke outboards with electric start and Power trim.

Fuoribordo a quattro tempi con avviamento elettrico e Power trim.

Hors-bord à quatre temps avec démarrage électrique et Power Trim.

new

REF	OEM	TRIM	 CABLES		2T STROKES	4T STROKES
REC881170A11	881170A11	✓	10 15 ft		MY2005+ 8, 9.9 HP 8, 9.9 HP (OR192772) 15, 20 HP GEN I	✓






Tiene un arnés con conector Amp y se conecta directamente sin el uso de un arnés adaptador.

Has a harness with Amp connector and will direct connect without the use of an adapter harness.

Ha un cablaggio con connettore Amp e si collegherà direttamente senza l'uso di un cablaggio adattatore.

Possède un faisceau avec connecteur Amp et se connecte directement sans l'utilisation d'un faisceau adaptateur.

new

REF	OEM	TRIM	 CABLES		2T STROKES	4T STROKES
REC881170A12	881170A12	✓	10 15 ft 4.58 m		MY2005+ 8, 9.9 HP	✓





Power Trim y alarma acústica incorporada. Power Trim Motors. Warning horn.

Power Trim e clacson integrado.



Power Trim et klaxon intégré.

new

REF	OEM	TRIM		CABLES		2T STROKES	4T STROKES
REC881170A14	881170A13 881170A14	✓	14	20 ft 4.58 m	Mercury Optimax (2006-14)		✓



new

REF	OEM	TRIM		CABLES		2T STROKES	4T STROKES
REC881170A16	881170A16		14	20 ft 4.58 m	Mercury Optimax (2006-14)		✓



Power Trim y alarma acústica incorporada. Power trim models. Warning horn.

Power Trim e clacson integrado.

Power Trim et klaxon intégré.

new

REF	OEM	TRIM		CABLES	
REC881170A20	881170A20 16900A20	✓	8	20 ft	Mercury Mariner OB



MERCURY

RECAMBIOS
MARINOS

MANDO PARA CONSOLA

CONSOLE CONTROL

COMANDO PER
CONSOLLA

BOITIER POUR CONSOLE

REF	OEM	TRIM	CABLES	
REC8M0075245	8M0075245 8M0041426	✓		4500 DUAL



new

REF	OEM	TRIM	CABLES	
REC8M0059686	8M0059686	✓		4500 SINGLE



new

INTERRUPTORES
Y CABLES

SWITCHS & CABLES

INTERRUTTORI E CAVI

INTERRUPTEUR
ET CÂBLES

INTERRUPTOR MANDO

CONTROL SWITCH

INTERRUTTORI
CONTROLLO

INTERRUPTEUR DE
CONTRÔLE

REF	OEM	
REC87-91941A8	87-91941A8 87-91941A6	COMANDER 2000 SERIAL 4000 LATERAL SIDE LATERALE LATERAL



new

INTERRUPTOR TRIM

TRIM SWITCH

INTERRUTTORI TRIM

INTERRUPTEUR TRIM

REF	OEM	
REC87-18286A43	87-18286A43 87-18286A26 87-18286A2 87-16991A1	4000 (1994+)



new

REF	OEM	
REC87-858679T2	87-858679T2	4500 GEN II Dual & Single



new



new


REF	OEM	
REC87-859032T02	87-859032T02	4000 GEN II LATERAL SIDE LATERALE LATERAL


ZUMBADOR ACÚSTICO ALARMA

ALARM ASSY

KIT ALLARME

BUZZER D'ALARME

REF	OEM	
REC8M0144930	84-8M0144930 84-8M3001068 84-816492A1 17065A1	12V



new

ADAPTADORES DE CABLES MORSE 33C

CABLES ADAPTERS MORSE 33C


ADATTATORI CAVI MORSE 33C

ADAPTATEURS POUR CÂBLES MORSE 33C

REF	
PRE30107	82779



REF	
PRE30212	892790A01



CABLES DE DIRECCIÓN

STEERING CABLE

CAVI DI TIMONERIA

CÂBLES DE COMMANDE

GEN I

Mercury, Mercruiser, Mariner

REF	OEM	
PREKM63706	8M0082479	6' / 1,80 m
PREKM63707	8M0082480	7' / 2,10 m
PREKM63708	8M0082481	8' / 2,45 m
PREKM63709	8M0082482	9' / 2,75 m
PREKM63710	8M0082483	10' / 3,05 m
PREKM63711	8M0082484	11' / 3,35 m
PREKM63712	8M0082485	12' / 3,65 m
PREKM63713	8M0082486	13' / 3,95 m
PREKM63714	8M0082487	14' / 4,25 m
PREKM63715	8M0082488	15' / 4,60 m
PREKM63716	8M0082489	16' / 4,90 m
PREKM63717	8M0082490	17' / 5,20 m
PREKM63718	8M0082491	18' / 5,50 m
PREKM63719	8M0082492	19' / 5,80 m
PREKM63720	8M0082493	20' / 6,10 m
PREKM63721	8M0082494	21' / 6,40 m
PREKM63722	8M0082495	22' / 6,70 m
PREKM63723	8M0082496	23' / 7,00 m
PREKM63724	8M0082497	24' / 7,30 m



GEN II

Mercury 4000 / 4500 GEN II PLATINUM

REF	OEM	
PRE53006	8M0082529	6' / 1,80 m
PRE53007	8M0082530	7' / 2,10 m
PRE53008	8M0082531	8' / 2,45 m
PRE53009	8M0082532	9' / 2,75 m
PRE53010	8M0082533	10' / 3,05 m
PRE53011	8M0082534	11' / 3,35 m
PRE53012	8M0082535	12' / 3,65 m
PRE53013	8M0082536	13' / 3,95 m
PRE53014	8M0082537	14' / 4,25 m
PRE53015	8M0082538	15' / 4,60 m
PRE53016	8M0082539	16' / 4,90 m
PRE53017	8M0082540	17' / 5,20 m
PRE53018	8M0082541	18' / 5,50 m
PRE53019	8M0082542	19' / 5,80 m
PRE53020	8M0082543	20' / 6,10 m
PRE53021	8M0082544	21' / 6,40 m
PRE53022	8M0082545	22' / 6,70 m
PRE53023	8M0082546	23' / 7,00 m
PRE53024	8M0082547	24' / 7,30 m



3300C

Recorrido trabajo: 76 mm.
Rosca 10-32"

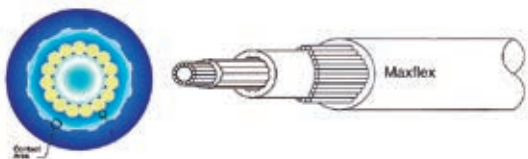
Travel 3"
Threaded 10-32"

Estensione: 76 mm
Filetto 10-32"

Course: 76 mm.
Fil 10-32"

REF	RO	
PRE3300C05	8M0082577	5' / 1,50 m
PRE3300C06	8M0082578	6' / 1,80 m
PRE3300C07	8M0082579	7' / 2,10 m
PRE3300C08	8M0082580	8' / 2,45 m
PRE3300C09	8M0082581	9' / 2,75 m
PRE3300C10	8M0082582	10' / 3,05 m
PRE3300C11	8M0082583	11' / 3,35 m
PRE3300C12	8M0082584	12' / 3,65 m
PRE3300C13	8M0082585	13' / 3,95 m
PRE3300C14	8M0082586	14' / 4,25 m
PRE3300C15	8M0082587	15' / 4,60 m
PRE3300C16	8M0082588	16' / 4,90 m
PRE3300C17	8M0082589	17' / 5,20 m
PRE3300C18	8M0082590	18' / 5,50 m
PRE3300C19	8M0082591	19' / 5,80 m
PRE3300C20	8M0082592	20' / 6,10 m
PRE3300C21	8M0082593	21' / 6,40 m
PRE3300C22	8M0082594	22' / 6,70 m
PRE3300C23	8M0082595	23' / 7,00 m
PRE3300C24	8M0082596	24' / 7,30 m

REF	RO	
PRE3300C25	8M0082597	25' / 7,60 m
PRE3300C26	8M0082598	26' / 7,90 m
PRE3300C27	8M0082599	27' / 8,25 m
PRE3300C28	8M0082600	28' / 8,55 m
PRE3300C29	8M0082601	29' / 8,85 m
PRE3300C30	8M0082602	30' / 9,15 m
PRE3300C31	8M0082603	31' / 9,50 m
PRE3300C32		32' / 9,75 m
PRE3300C33		33' / 10,00 m
PRE3300C34	8M0082604	34' / 10,35 m
PRE3300C35		35' / 10,65 m
PRE3300C36	8M0082605	36' / 11,00 m
PRE3300C38	8M0082606	38' / 11,50 m
PRE3300C40		40' / 12,10 m
PRE3300C42		42' / 12,70 m
PRE3300C44		44' / 13,30 m
PRE3300C46		46' / 14,00 m
PRE3300C48		48' / 14,50 m
PRE3300C50		50' / 15,00 m



SILENBLOCK

SILENBLOCK

SILENBLOCK

SILENT BLOC

REF	OEM	2T STROKES	4T STROKES
PAF8-02000100	853771004		
PAF8-00000002	803775006	8, 9.8 HP (209 cc)	✓
PAF8-00000100	895167001		



SISTEMA DE REFRIGERACIÓN COOLING SYSTEM

SISTEMA DI RAFFREDDAMENTO SYSTÈME DE REFROIDISSEMENT

LÍQUIDO INHIBIDOR DE LA CORROSIÓN

Diseñado especialmente para eliminar sedimentos de sal de cualquier superficie pintada, de metal, fibra de vidrio, vinilo, caucho, cristal o plástico. Es el método más eficaz para proteger los motores, los aparejos de pesca... Genera una capa de polímeros que evita futuras sedimentaciones.

SALT OFF

It is specifically formulated to quickly and effectively remove salt deposits from metal, fiberglass, plastic or painted surfaces. It contains special polymers that bond to the treated surface to help prevent the formation of future deposits.

LIQUIDO INIBITORE DELLA CORROSIONE

Appositamente progettato per rimuovere depositi di sale da qualsiasi superficie verniciata, metallo, fibra di vetro, vinile, gomma, vetro o plastica. È il metodo più efficace per proteggere motori, attrezzi da pesca... Genera uno strato di polimeri che impedisce la futura sedimentazione.

LIQUIDE INHIBANT LA CORROSION

La protection SALT OFF est formulé pour éliminer les dépôts de sel sur toutes les surfaces marines. Utilisable pour le rinçage des moteurs hors bord et inboard et les embases. Il laisse un film de protection spécial pour prévenir des attaques futures du sel.

new



REF
STA94100

Star brite



REF	Image of Jug	Volume
STA93900		3,78 L
STA93922		650 ml
STA93932		1 L

STA93900



STA93932



STA93922



MERCURY

RECAMBIOS
MARINOS

TERMOSTATO

THERMOSTAT

TERMOSTATO

THERMOSTAT

TERMOSTATO


THERMOSTAT

REF	OEM		2T STROKES	4T STROKES	°C	°F
RM804540	804540	2 - 30 HP	✓	✓	52	12




TERMOSTATO

THERMOSTAT

REF	OEM		2T STROKES	4T STROKES	°C	°F
RM855676005	855676005	8, 9,9 HP		✓	71	160




REF	OEM		2T STROKES	4T STROKES	°C
REC6E5-12411-02	11919M	6C, 6D 8C, 8K W8 (MARATHON)		✓	50



REF	OEM		2T STROKES	4T STROKES	°C	°F
REC855676002	855676002	8 (209cc) 15 (2 cyl), 20, 25 HP		✓	60	140




REF	OEM		2T STROKES	4T STROKES	°C	°F
REC14586	14586	6 - 125 hp	✓	✓	48.8	120




new


REF	OEM		2T STROKES	4T STROKES	°C	
REC8M0139434	8M0139434	9.9 EFI (1R008146+) 10, 15, 20 EFI (OR833820+) 2 cyl		✓	52°	✓




REF	OEM		2T STROKES	4T STROKES	°C	°F
REC6F5-12411-03	75692 814554T01	7.5 - 250 hp	✓		61.6	143




REF	OEM		2T STROKES	4T STROKES	°C	°F
REC825212T02	855676003 855676A1 825212A1	13.5, 15, 25, 30, 40, 45, 50 HP		✓	60	140



new



REF	OEM		2T STROKES	4T STROKES	°C
REC13350	75692 27-62386	7.5 - 25 HP (2 cyl) 55 - 90 HP (3 cyl) 100 - 125 HP (4 cyl) 150 - 300 HP (V6)		✓	60°




new

REF	OEM		2T STROKES	4T STROKES	°C
REC8M0117413	8M0117413	30, 35, 40, 50, 60 HP EFI		✓	48.8



REF	OEM		2T STROKES	4T STROKES	°C	°F
REC895338	F97068-2 895338		30, 40 HP	✓	54,4	130






REF	OEM		2T STROKES	4T STROKES	°C	°F
REC892864T04	892864T04		135 - 400 Verado	✓	60	




REF	OEM		2T STROKES	4T STROKES	°C	°F
REC850055001	850055 850055001		30 - 60 HP	✓	43,3	110






REF	OEM		2T STROKES	4T STROKES	°C	°F
REC833072003	833072003		V-135 - 200 HP	✓	61,6	143



REF	OEM		2T STROKES	4T STROKES	°C	°F
REC67F-12411-01	8M0117413		75 EFI, 80 EFI, 90 EFI, 100 EFI	✓	60	






REF	OEM		2T STROKES	4T STROKES	°C	°F
REC8M0162139	8M0162139 8M0137816		175, 200, 225 HP 3.4L V6 200, 225, 250, 300 HP 4.6L V8	✓	60	






REF	OEM		2T STROKES	4T STROKES	°C	°F
REC892864T06	892864T06 8M0090819		75 - 115 HP EFI (1B366823 - 2B094995) 150, 135 HP (1B905505+)	✓	48,8	✓



REF	OEM		2T STROKES	4T STROKES	°C	°F
REC8M0067307	885599004 8M0057307		200 - 300 HP	✓	54,4	130



REF	OEM		2T STROKES	4T STROKES	°C	°F
REC60V-12411-00	881429		115 EFI (0T178500 - 1B366822)	✓	50°	



REF	OEM	°C	°F
REC833072004	833072004	61,6	143



GUÍA DE TERMOSTATO			THERMOSTAT GUIDE			GUIDA TERMOSTATO			GUIDE THERMOSTAT		
4T STROKES			REF			2T STROKES			KIT REF		
2HP, 2.5HP (Carb)	OR131842 +	RM804540	4A/ 5C/ 6C-D			6HP	9461526	REC14586A3	REC6E5-12411-02	REC14586	
3.5HP (Carb)			8HP (C/K) W8			8HP	9461526	REC14586A3	REC6E5-12411-02	REC14586	
4HP, 5HP, 6HP	OP073456 +	RM804540	9.9HP	9461526	REC14586A3	9.9HP	9461526	REC14586A3	REC14586	REC14586	
8HP (209 cc)	OP325500 +	REC855676002	15HP	9542620	REC14586A3	15HP	9542620	REC14586A3	REC14586	REC14586	
8HP (Bodensee)	OP086824 - OP400999	REC825212T02	15 Sea Pro	9927000	REC14586A3	15 Sea Pro	9927000	REC14586A3	REC14586	REC14586	
9.9HP (209 cc)	OP325500 +	REC855676002	Super 15	9507381	REC14586A3	Super 15	9507381	REC14586A3	REC14586	REC14586	
9.9HP (323 cc)	OP075166 - OP400999	REC825212T02	20HP	9467988	REC14586A3	20HP	9467988	REC14586A3	REC14586	REC14586	
13.5 (International)	OP134638 +	REC825212T02	25HP (2Cyl)	9467988	REC14586A3	25HP (2Cyl)	9467988	REC14586A3	REC14586	REC14586	
15HP	OP9973100 +	REC825212T02	25 Sea Pro	9507381	REC14586A3	25 Sea Pro	9507381	REC14586A3	REC14586	REC14586	
15HP (Carb) (2 Cyl)	OR235949 +	REC855676002	30HP (2Cyl)	9855139	REC14586A7	30HP (2Cyl)	9855139	REC14586A7	REC895338	REC895338	
15HP (SEAPRO)	OR123565 +	REC855676002	35HP	9384476	REC75692A6	35HP	9384476	REC75692A6	REC6F5-12411-03	REC6F5-12411-03	
20HP (Carb) (2 Cyl)	OR235168 +	REC855676002	40HP (2Cyl)	9855139	REC14586A7	40HP (2Cyl)	9855139	REC14586A7	REC895338	REC895338	
25HP	OP9973100 +	REC825212T02	40HP (3Cyl)	9973100	REC850055A2	40HP (3Cyl)	9973100	REC850055A2	REC850055001	REC850055001	
25HP (SEAPRO) (EFI)	OR051710 +	REC855676002	50HP (3Cyl)	9482600 - 9671686	REC75692A7	50HP (3Cyl)	9482600 - 9671686	REC75692A7	REC6F5-12411-03	REC6F5-12411-03	
30HP	OP017000 +	REC825212T02	50HP (3Cyl)	9682500 - 9740999		50HP (3Cyl)	9682500 - 9740999		REC14586	REC14586	
30HP (Carb) (3 Cyl) (EFI)	OP153500 - OP400999	REC825212T02	50HP (3Cyl)	9741000 - 9973099		50HP (3Cyl)	9741000 - 9973099		REC14586	REC14586	
40HP	994408	REC825212T02	55HP (3Cyl)	9973100	REC850055A2	55HP (3Cyl)	9973100	REC850055A2	REC850055001	REC850055001	
40HP (Carb) (3 Cyl)	OP153500 - OP400999	REC825212T02	55HP (3Cyl)	9682500 - 9740999	REC75692A7	55HP (3Cyl)	9682500 - 9740999	REC75692A7	REC6F5-12411-03	REC6F5-12411-03	
40HP (4Cyl)	OP094500 - OP206999	REC14586	55HP (3Cyl)	9741000 - 9973099		55HP (3Cyl)	9741000 - 9973099		REC14586	REC14586	
40HP (EFI) (3 Cyl)	OP401000 - OP400999	REC825212T02	60HP (3Cyl)	9482600 - 9671686		60HP (3Cyl)	9482600 - 9671686		REC14586	REC14586	
40HP (EFI) (4 Cyl)	OP401000 +	REC14586	60HP (3Cyl)	9682500 - 9740999		60HP (3Cyl)	9682500 - 9740999		REC14586	REC14586	
40HP ITALY	OP017000 - OP094499	REC825212T02	60HP (3Cyl)	9741000 - 9973099	REC850055A2	60HP (3Cyl)	9741000 - 9973099	REC850055A2	REC850055001	REC850055001	
45HP Bodensee	9944807	REC825212T02	60HP (3Cyl)	9973100	REC75692A7	60HP (3Cyl)	9973100	REC75692A7	REC6F5-12411-03	REC6F5-12411-03	
50HP (BIGFOOT)			70HP (3Cyl)	9483121		70HP (3Cyl)	9483121		REC14586	REC14586	
50HP (EFI)	OP153500 +	REC14586	75HP (3Cyl)	9589039	REC803061T1	75HP (3Cyl)	9589039	REC803061T1	REC14586	REC14586	
50HP (4 Cyl)	OP94500 - OP206999	REC14586	80HP (3Cyl)	9483121	REC803061T1	80HP (3Cyl)	9483121	REC803061T1	REC14586	REC14586	
60HP (4 Cyl)	OP94500 - OP206999	REC14586	90HP (3Cyl)	9483121	REC803061T1	90HP (3Cyl)	9483121	REC803061T1	REC14586	REC14586	
60HP (EFI) (4 Cyl)	OP153500 +	REC14586	100HP (4Cyl)	9523034	REC803061T1	100HP (4Cyl)	9523034	REC803061T1	REC14586	REC14586	
75HP (EFI) (Bodensee)	OG960500 - OT800999	REC825212T02	115HP (4Cyl)	9559771	REC803061T1	115HP (4Cyl)	9559771	REC803061T1	REC14586	REC14586	
90HP (EFI)	OG960500 - OT800999	REC825212T02	125HP (4Cyl)	9793577	REC803061T1	125HP (4Cyl)	9793577	REC803061T1	REC14586	REC14586	
100HP (EFI)	1B227077 - 1B366822	REC67F-12411-01	V-135	0A904646 +		V-135	0A904646 +		REC6F5-12411-03	REC6F5-12411-03	
			V-150	0A904646 +	REC75692Q2	V-150	0A904646 +	REC75692Q2	REC6F5-12411-03	REC6F5-12411-03	
			XR-4	0C239553 - 0D081999	REC75692Q2	XR-4	0C239553 - 0D081999	REC75692Q2	REC6F5-12411-03	REC6F5-12411-03	
			Magnum II	0C239553 - 0D081999	REC75692Q2	Magnum II	0C239553 - 0D081999	REC75692Q2	REC6F5-12411-03	REC6F5-12411-03	
			XR-6	0D082000 +	REC75692Q2	XR-6	0D082000 +	REC75692Q2	REC6F5-12411-03	REC6F5-12411-03	
			Magnum III	0D082000 +	REC75692Q2	Magnum III	0D082000 +	REC75692Q2	REC6F5-12411-03	REC6F5-12411-03	
			V-175	0C100861 +	REC75692Q2	V-175	0C100861 +	REC75692Q2	REC6F5-12411-03	REC6F5-12411-03	
			V-200	6435503	REC75692Q2	V-200	6435503	REC75692Q2	REC6F5-12411-03	REC6F5-12411-03	

GUÍA DE TERMOSTATO			THERMOSTAT GUIDE			GUIDA TERMOSTATO			GUIDE THERMOSTAT		
EFI			CYL REF			EFI			CYL REF		
9.9 EFI	1R008146+	2	REC8M0139434			60 EFI	OP153500 - OP400999	BEL 4	REC14586	PAF15-07010022	
10 EFI						60 EFI	OP401000 - OP515896	BEL 4	REC14586	PAF15-07010022	
15 EFI						60 EFI	OP515897 - OP580772	BEL 4	REC14586	PAF15-07010022	
15EFI SEAPRO	OR832820 +	2	REC8M0139434	PAF8-05010005		60 EFI	OT409000 - 1B355222	USA 4	REC14586	PAF15-07010022	
20EFI						60 EFI	1C000001 - 1C050251	USA 4	REC14586	PAF15-07010022	
25 EFI	OR106966 +	3	REC855676002	PAF8-05010005		60 EFI	1C050252 - 1C453839	USA 4	REC14586	PAF15-07010022	
30 EFI	OP153500 - OP400999	3	REC825212T02	PAF15-07010022		60 EFI et SEAPRO	1C453840 +	USA 4	REC8M0117413	PAF15-07010022	
30 EFI	OR106999 +	3	REC855676002	PAF8-05010005		75 EFI	1B172291 - 1B366822	USA 4	REC67F-12411-01		
30 EFI	OT409000 - 1B226999	3	REC825212T02	PAF15-07010022		75 EFI	1B366823 - 2B094995	USA 4	REC892864T06		
30 EFI	1C109093 - 1C456299	3	REC825212T02	PAF15-07010022		75 EFI et SEAPRO	2B095049 +	4	REC892864T06		
30 EFI	1C456300 +	3	REC825212T02	PAF15-07010022		80 EFI	OP459572 - 2B094995	BEL 4	REC892864T06		
40 EFI	OP153500 - OP400999	BEL 3	REC825212T02	PAF15-07010022		80 EFI	1B227000 - 1B366822	USA 4	REC67F-12411-01		
40 EFI	OP401000 - OP515896	BEL 3	REC825212T02	PAF15-07010022		80 EFI	1B366823 - 2B094995	USA 4	REC892864T06		
40 EFI	OP409000 - 1B226999	USA 3	REC825212T02	PAF15-07010022		80 EFI	2B095049 +	4	REC892864T06		
40 EFI	1B227000 - 1B355027	USA 3	REC825212T02	PAF15-07010022		90 EFI	1B172291 - 1B366822	USA 4	REC67F-12411-01		
40 EFI	1C000001 - 1C043416	3	REC825212T02	PAF15-07010022		90 EFI	1B366823 - 2B094995	USA 4	REC892864T06		
40 EFI	1C043417 - 1C456299	3	REC825212T02	PAF15-07010022		90 EFI et SEAPRO	2B095049 +	USA 4	REC892864T06		
40 EFI	1C456300 +	3	REC825212T02	PAF15-07010022		100 EFI	OP459572 - 2B094995	BEL 4	REC892864T06		
40 EFI	OP153500 - OP400999	BEL 4	REC14586	PAF15-07010022		100 EFI	1B227000 - 1B366822	USA 4	REC67F-12411-01		
40 EFI	OP401000 - OP515896	BEL 4	REC14586	PAF15-07010022		100 EFI	1B366823 - 2B094995	USA 4	REC892864T06		
40EFI	OP515897 - OP580772	BEL 4	REC14586	PAF15-07010022		100 EFI	2B095049 +	USA 4	REC892864T06		
40 EFI	OT409000 - 1B355222	USA 4	REC14586	PAF15-07010022		115 EFI	OT178500 - OT800999	USA 4	REC60V-12411-00		
40 EFI	1C000001 - 1C050251	USA 4	REC14586	PAF15-07010022		115 EFI	OT801000 - 1B226999	USA 4	REC60V-12411-00		
40 EFI	1C050252 - 1C453839	USA 4	REC14586	PAF15-07010022		115 EFI	1B227000 - 1B366822	USA 4	REC60V-12411-00		
40 EFI et SEAPRO	1C453840 +	USA 4	REC8M0117413	PAF15-07010022		115 EFI	1B366823 - 2B094995	USA 4	REC892864T06		
50 EFI	OP153500 - OP400999	BEL 4	REC14586	PAF15-07010022		115 EFI et SEAPRO (XS)	2B095049 +	4	REC892864T06		
50 EFI	OP401000 - OP515896	BEL 4	REC14586	PAF15-07010022		135	2B131942 +	4	REC892864T06		
50 EFI	OP515897 - OP580772	BEL 4	REC14586	PAF15-07010022		135 VERADO	OP419487 - OP464487	BEL 4	REC892864T04		
50 EFI	OT409000 - 1B355222	USA 4	REC14586	PAF15-07010022		135 VERADO	OP464488 - OP514868	BEL 4	REC892864T04		
50 EFI	1C000001 - 1C050251	USA 4	REC14586	PAF15-07010022							
50 EFI	1C050252 - 1C453839	USA 4	REC14586	PAF15-07010022							
50 EFI	1C453840 +	USA 4	REC8M0117413	PAF15-07010022							

			CYL	REF	
135 VERADO	OP514869 - OP593020	BEL	4	REC892864T04	
135 VERADO	1B227000 - 1B381711	USA	4	REC892864T04	
135 VERADO	1B381712 - 1B517158	USA	4	REC892864T04	
135 VERADO	1B517159 - 2B576734	USA	4	REC892864T04	
150	1B905505 +		4	REC892864T06	
150 SEAPRO	2B139139 +		4	REC892864T06	
150 Pro XS	2B550139 +		4	REC892864T06	
150 VERADO	OP419487 - OP464487	BEL	4	REC892864T04	
150 VERADO	OP464488 - OP514868	BEL	4	REC892864T04	
150 VERADO	OP514869 - OP593020	BEL	4	REC892864T04	
150 VERADO	1B227000 - 1B381711	USA	4	REC892864T04	
150 VERADO	1B381712 - 1B517158	USA	4	REC892864T04	
150 VERADO	1B517159 - 2B576734	USA	4	REC892864T04	
175 VERADO	OP419487 - OP464487	BEL	4	REC892864T04	
175 VERADO	OP464488 - OP514868	BEL	4	REC892864T04	
175 VERADO	OP514869 - OP593020	BEL	4	REC892864T04	
175 VERADO	1B227000 - 1B381711	USA	4	REC892864T04	
175 VERADO	1B381712 - 1B517158	USA	4	REC892864T04	
175 VERADO	1B517159 - 2B576734	USA	4	REC892864T04	
175 (3.4L) V6 Et Pro XS	2B529482 +	USA	6	REC8M0162139	
200 VERADO	OP514869 - OP593020	BEL	4	REC892864T04	
200 VERADO	1B517159 - 2B576734	USA	4	REC892864T04	
200 VERADO	OP409357 - OP464487	BEL	6	REC892864T04	
200 VERADO	OP464488 - OP520552	BEL	6	REC892864T04	
200 VERADO	OP520553 - 2B144122	BEL	6	REC892864T04	
200 VERADO	OT980000 - 1B226999	USA	6	REC892864T04	
200 VERADO	1B227000 - 1B381711	USA	6	REC892864T04	
200 VERADO	1B381712 - 1B517433	USA	6	REC892864T04	
200 VERADO	1B517434 - 2B144122	USA	6	REC892864T04	
200 VERADO	2B144123 - 2B578935	USA	6	REC892864T04	
200 Pro VERADO	2B034840 - 2B144122		6	REC892864T04	
200 Pro VERADO	2B144123 - 2B577715		6	REC892864T04	
200 (3.4L) V6 Et SEAPRO	2B529482 +	USA	6	REC8M0162139	
200 (4.6L) V8 PRO XS	2B529482 +	USA	8	REC8M0162139	
225 EFI	OT653945 +	USA	6	REC67F-12411-01	
225 VERADO	OP409357 - OP464487	BEL	6	REC892864T04	
225 VERADO	OP464488 - OP520552	BEL	6	REC892864T04	
225 VERADO	OP520553 - 2B144122	BEL	6	REC892864T04	
225 VERADO	OT980000 - 1B226999	USA	6	REC892864T04	
225 VERADO	1B227000 - 1B381711	USA	6	REC892864T04	
225 VERADO	1B381712 - 1B517433	USA	6	REC892864T04	
225 VERADO	1B517434 - 2B144122	USA	6	REC892864T04	
225 VERADO	2B144123 - 2B578935	USA	6	REC892864T04	
225 (3.4L) V6 Et SEAPRO	2B529482 +	USA	6	REC8M0162139	

			CYL	REF	
225 (4.6L) V8 PRO XS	2B529482 +	USA	8	REC8M0162139	
250 VERADO	OP409357 - OP464487	BEL	6	REC892864T04	
250 VERADO	OP464488 - OP520552	BEL	6	REC892864T04	
250 VERADO	OP520553 - 2B144122	BEL	6	REC892864T04	
250 VERADO	OT980000 - 1B226999	USA	6	REC892864T04	
250 VERADO	1B227000 - 1B381711	USA	6	REC892864T04	
250 VERADO	1B381712 - 1B517433	USA	6	REC892864T04	
250 VERADO	1B517434 - 2B144122	USA	6	REC892864T04	
250 VERADO	2B144123 - 2B578935	USA	6	REC892864T04	
250 PRO VERADO	1B830170 - 2B144122		6	REC892864T04	
250 PRO VERADO	2B144123 - 2B577715	USA	6	REC892864T04	
250 (4.6L) V8, VERADO, SEAPRO Et PRO XS	2B529482 +	USA	8	REC8M0162139	
250 (4.6L) V8 RACING	1E080500+	USA	8	REC8M0162139	
275 VERADO	OP409357 - OP464487	BEL	6	REC892864T04	
275 VERADO	OP464488 - OP520552	BEL	6	REC892864T04	
275 VERADO	OP520553 - 2B144122	BEL	6	REC892864T04	
275 VERADO	OT980000 - 1B226999	USA	6	REC892864T04	
275 VERADO	1B227000 - 1B381711	USA	6	REC892864T04	
275 VERADO	1B381712 - 1B517433	USA	6	REC892864T04	
275 VERADO	1B517434 - 2B144122	USA	6	REC892864T04	
275 VERADO	2B144123 - 2B578935	USA	6	REC892864T04	
300 VERADO	OP520553 - 2B144122	BEL	6	REC892864T04	
300 VERADO	1B517434 - 2B144122	USA	6	REC892864T04	
300 VERADO	2B144123 - 2B578935	USA	6	REC892864T04	
300 PRO VERADO	1B830170 - 2B144122		6	REC892864T04	
300 PRO VERADO	2B144123 - 2B577715	USA	6	REC892864T04	
300 (4.6L) V8, VERADO, SEAPRO Et PRO XS	2B529482 +	USA	8	REC8M0162139	
300 (4.6L) V8 RACING	1E080500+	USA	8	REC8M0162139	
350SCI VERADO	1B716557 - 2B143542		6		
350 2.6L L6 VERADO	2B141617 +	USA	6	REC892864T04	
350 2.6L L6 PRO VERADO	2B141124 +	USA	6	REC892864T04	
400 2.6L L6 VERADO	2B618256 +	USA	6	REC892864T04	
400R 2.6L L6 RACING	2B141124 +	USA	6	REC892864T04	
450 4.6L V8 RACING	2B529482 +	USA	8		

CUBIERTAS TERMOSTATO

THERMOSTATO COVER

COPERCHIO TERMOSTATO

COVERCLE DE THERMOSTAT




new

REF	OEM			2T STROKES	4T STROKES
PAF8-05010006	8537052			✓	✓


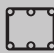


new

REF	OEM			2T STROKES	4T STROKES
PAF15-07010021	8M0008243 8250311 857080			8 - 60 HP	✓



new

REF	OEM			2T STROKES	4T STROKES
REC6E9-12413-00-1S	19255M K40HP 6F5-000711+ 6F5K-302372+			✓	

MERCURY

RECAMBIOS MARINOS

KITS TERMOSTATO

THERMOSTATO KITS

KIT TERMOSTATO

KIT THERMOSTAT

REF	OEM
REC14586A3	14586A3

REF	OEM
REC850055A2	850055A2

REF	OEM
REC75692A7	75692A7

REF	OEM
REC75692Q2	75692Q2

REF	OEM
REC803061T1	803061T1

REF	OEM
REC75692A6	75692A6

REF	OEM
REC14586A7	14586A7

JUNTAS TERMOSTATO

THERMOSTATO GASKETS

GUARNIZIONI TERMOSTATO

JOINTS DE THERMOSTAT

REF	OEM
REC27-62386001	27-62386

Para termostatos de Ø 1".
For thermostat Ø 1".
Per termostato Ø 1".
Pour thermostats Ø 1".

REF	OEM
PAF15-07010022	27-824853

8 Bodensee
9.9, 13.5, 15, 25
30 (Carb) (EFI)
40 (Carb) (EFI)
Italy
45 Bodensee
50 (EFI, Bigfoot)
60 (EFI)

REF	OEM
PAF8-05010005	27-853702005

4 - 25 HP

REF	OEM
REC655-12414-A1	27-81031M


8A
20C
25C, K
28
30A / W30


REF	OEM
REC27-19205002	27-19205-1


6, 8, 9.9, 10, 15 HP


REF	OEM	
REC682-12414-A1	27-83940M	9.9C 15C / K W15
REC27-83940		





REF	OEM	
REC6E9-12414-A1	27-814555M	40 (Twin Carb) (con inyección de aceite with oil injection con iniezione dell'olio avec injection d'huile) W40 (w/Marathon)





REF	OEM	
REC27-14318005	27-14318-3	20 Jet 20, 25 HP (2cyl)




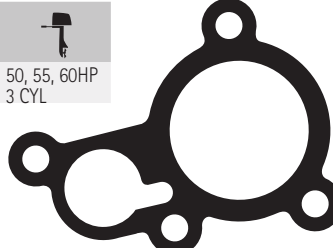
REF	OEM	
REC663-12414-00	27-81266M	MARINER 48 / W-48 55 / W-55 60 (2 cyl)




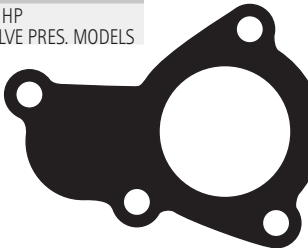
REF	OEM	
REC27-66847	27-66847	30, 40 HP (2 cyl)




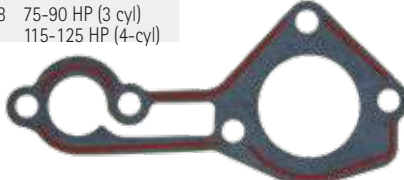
REF	OEM	
REC27-8128671	27-812867-1	50, 55, 60HP 3 CYL




REF	OEM	
REC27-827284	27-827284	30 - 60 HP NOT VALVE PRES. MODELS





REF	OEM	
REC27-430068	27-43006-8	65-80 Jet 75-90 HP (3 cyl) 115-125 HP (4-cyl)




REF	OEM	
REC27-8128672	27-8128672	30 - 60 HP




REF	OEM	
REC27-78690002	27-78690 27-78690002	V6




VÁLVULA ANTIPRESIÓN DE TERMOSTATO **THERMOTAT, PRESSURE VALVE**


REF	OEM	
REC318395	878907	65 - 140 hp (4 cyl)



new


VALVOLA ANTI-PRESSIONE DI TERMOSTATO **SOUPAPE DE PRESSION DE THERMOSTAT**


REF	OEM	
REC86596T	86596T	40-90 HP (2, 3 cyl) 135-225 HP V6





REF	OEM	
REC14480	14480	V6 (2.5L)



REF	OEM	
REC8612882-1	8612882-1	30, 40 HP (2 cyl) 50, 55, 60 HP (3 cyl)



RESORTE	SPRING	MOLLA	RESSORT
			
REF	OEM		
REC24-64878	24-64878	135-200 HP V6	
REC24-47968	24-47968	30, 35, 40 (400) (402) 2 cyl	
REC24-42996	24-42996	70, 75, 80, 90 HP 3 cyl V6 (2.5L)	
REC24-90392	24-90392	30-60 HP 2 / 3 cyl V6 (3.4L)	


CONECTOR CULATA	FITTING	RACCORDO TESTATA	RACCORD DE CULASSE
ESTRIBOR STB TRIBORDO TRIBORD			
			
REF	OEM		
REC22-687271	22-687271		

GRUESO	GROMMET	SPESSORE	BAGUE
REF	OEM		
REC25-64872	25-64872	30-125 HP (2, 3, 4 cyl)	

RETÉN	SEAL	TENUTA	JOINT
REF	OEM		
REC25-854639	25-854639	30-60 HP (3 cyl) V6 (3.0L)	

DIAFRAGMA	DIAPHRAGM	MEMBRANA	DIAPHRAGME
REF	OEM		
REC648771	64877-1	3, L4-Cyl Et V6 (3.0L)	
REC14479-1	14479-1	V6 (2.5L)	
REC812887002	812887-1	30, 40 HP (2 cyl) 50-90 HP (3 cyl)	

TAPA	CUP	COPERCHIO	COUVERCLE
REF	OEM		
REC12-94182	12-94182	30-125 HP (2, 3, 4 cyl)	

DEFLECTOR	DEFLECTOR	DEFLETTORE	DEFLECTEUR
REF	OEM		
REC16496	16496	V6 (2.5L)	

TORNILLO PARA TODAS LAS VÁLVULAS	SCREW FOR ALL POPPET	VITE PER TUTTE LE VALVOLE	VIS POUR TOUTES LES SOUPAPES
REF	OEM		
REC10-69570	10-69570		

NIPLE	NIPPLE	NIPLE	TETINE
-------	--------	-------	--------



REF	OEM	 int	
REC331886	22-9964-1	Ø 3/8"	



DESPLAZABLE	CARRIER	DISTANZIALE	LOGEMENT
-------------	---------	-------------	----------

REF	OEM		
REC65848	65848	30-125 HP (2, 3, 4 cyl)	


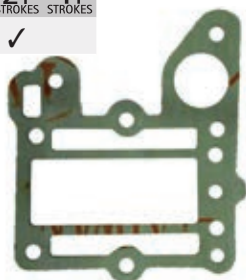
REF	OEM		
REC827365	827365	30 Jet, 40, 45, 50, 55,60 HP (3 cyl)	



ARANDELA	WASHER	RONDELLA	RONDELLE
----------	--------	----------	----------


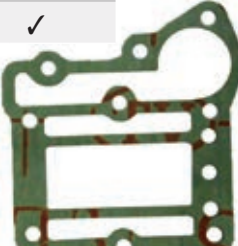
REF	OEM		
REC12-85303	12-85303	L6-cyl V6 (2.5L)	



REF	OEM		
REC12-76451	12-76451	V6 (2.5L) V6 (3.0L)	Plástico Plastic Plastica Plastique


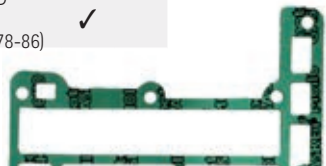
JUNTAS TAPA DE REFRIGERACIÓN	GASKET, EXHAUST INNER COVER	GUARNIZIONE COPERCHIO REFRIGERAZIONE	JOINT DE PLAQUE DE REFRROIDISSEMENT
------------------------------	-----------------------------	--------------------------------------	-------------------------------------



REF	OEM		2T STROKES	4T STROKES	
REC6E0-41112-A1	27-99995M	4A (1981-89)	✓		

REF	OEM		2T STROKES	4T STROKES	
REC6G1-11193-A1	27-11454M	6C/D 8D (1978-86)	✓		

REF	OEM		2T STROKES	4T STROKES	
REC6E0-41114-A1	21-41279M 99993M	5C, 4A (1977-89)	✓		


REF	OEM		2T STROKES	4T STROKES	
PAF8-05010004	27-834952001	8, 9,9 HP (209 cc)		✓	

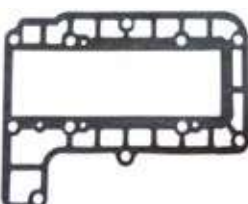
REF	OEM		2T STROKES	4T STROKES	
REC6G1-41112-A1	27-11456M	6C/D 8C (1978-86)	✓		

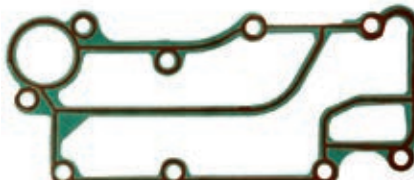
REF	OEM		2T STROKES	4T STROKES	
PAF15-07010018	27-834952	8, 9,9, 13,5, 15 HP		✓	


REF	OEM		2T STROKES	4T STROKES	
REC27-62386001	27-62386	6-25 HP (1972-10)	✓		

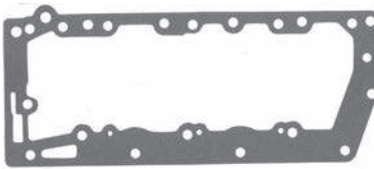
REF	OEM		2T STROKES	4T STROKES	
REC682-41114-00	27-83951M	9.9C 15C, K W15 (1979-86)	✓		

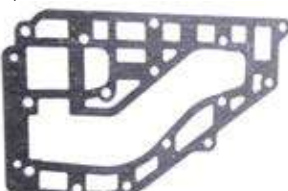
REF	OEM	2T STROKES	4T STROKES	
REC27-25848	27-25848	10-350 HP (1970-86)	✓	


REF	OEM	2T STROKES	4T STROKES	
REC664-41114-A0	27-81570M	20C (Thru prop. exhaust) 25C (Thru prop. exhaust) 28 (1977-88)	✓	


REF	OEM	2T STROKES	4T STROKES	
PAF25-05010111	27-830298	25 HP	✓	

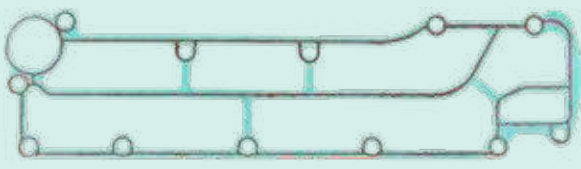
REF	OEM	2T STROKES	4T STROKES	
REC12-38453	12-38453	30-70 HP (1970-97)	✓	


REF	OEM	2T STROKES	4T STROKES	
REC27-854913	27-85491-2	30-50 HP (1980-97)	✓	


REF	OEM	2T STROKES	4T STROKES	
REC689-41112-A0	27-96656M	30A W30 (w/Marathon) (1977-92)	✓	


REF	OEM	2T STROKES	4T STROKES	
REC689-41114-A0	27-84741M	30A W30 (w/Marathon) (1977-92)	✓	

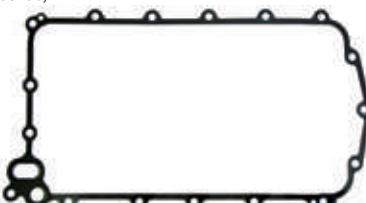
REF	OEM	2T STROKES	4T STROKES	
REC6E9-41114-A0	27-827176M	40 (Twin Carb) (1986-92) con inyección de aceite with oil injection con iniezione dell'olio avec injection d'huile	✓	

REF	OEM	2T STROKES	4T STROKES	
PAF60-05000004	27-857078	40, 50, 60 EFI 4 CYL	✓	

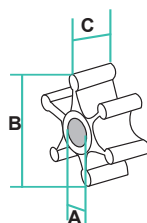
REF	OEM	2T STROKES	4T STROKES	
REC663-41114-00	27-81331M	40, W-48 55, W-55 60 (2 cyl) (1977-89)	✓	

REF	OEM	2T STROKES	4T STROKES	
REC676-41112-A0	27-83338M	40 (Twin Carb) 40A, B, C (1977-92)	✓	

REF	OEM	2T STROKES	4T STROKES	
REC27-430057	27-430057	75, 90 HP (3 cyl)	✓	

REF	OEM	2T STROKES	4T STROKES	
REC887825	27-887825	225 EFI (2003-06)	✓	

2T STROKES	OEM	CEF	A	B	C
REC6G1-44352-00	47-11590M	CEF500302	11,9	40	18
REC47-22748	47-22748	CEF500309	11,6	32	14,4
REC6L5-44352-00		CEF500322	10	36	14,5
REC6H3-44352-00	47-81423M 47-97108M	CEF500316	19,05	51,8	19,5
REC682-44352-01	47-84027T	CEF500320	13	40	22
REC689-44352-02	47-84797M	CEF500326	16,15	69,5	12,8
REC47-89980	47-89980	CEF500314	11	32	14,35
REC47-89982	47-89982	CEF500311G	16	51	19,05
REC47-89983T	47-89983T	CEF500312	19	61,8	19,05
REC47-89984T4	47-89984T4	CEF500313G	22,2	60	38,8
REC662-44352-01	47-95611M	CEF500321	14	40	22
REC6E0-44352-00	47-96305M	CEF500325	11	40	12,6
REC47-89981	47-89981	CEF500310	11,6	32	14,4
REC47-20813	47-20813		16	39	22,5
REC47-803630T	47-803630T		21	57	30
REC47-952892	47-952892 47-95289	CEF500396	12	41	14
REC646-44352-01	47-80395M	CEF500324	11,5	47,5	13,7
REC6F5-44352-00	47-99971M	CEF500352	16,04	69,8	22,1



REC6G1-44352-00



REC47-22748



REC6L5-44352-00



REC6H3-44352-00



REC682-44352-01



REC689-44352-02



REC47-89980



REC47-89982



REC47-89983T



REC47-89984T4



REC662-44352-01



REC6E0-44352-00



REC47-89981



REC47-20813



REC47-803630T



REC47-952892



REC646-44352-01



REC6F5-44352-00

P. 191

GUIA BOMBAS AGUA
WATER PUMP GUIDE
GUIDA POMPA ACQUA
GUIDE DE POMPE D'EAU

4T STROKES				REF	CEF	A	B	C
2/2.5/3.5 (Carb)	OR131842 +			REC47-161543	CEF500377	10,25	33,6	14,2
04/05/06	OP073456 +			REC47-161543	CEF500377	10,25	33,6	14,2
8	OP325500 +	NON BIG FOOT		REC3B2-65021-1	CEF500344	12,1	40	18
8 (Bodensee)(Intern)	OP086824 - OP400999	BIG FOOT		REC47-8508910	CEF500315	16	73	12,6
8 (Bodensee)(Intern)	OP086824 - OP400999	NON BIG FOOT		REC47-420382	CEF500318	13	58,8	11,7
9.9 (209cc)	OP325500 +	NON BIG FOOT		REC3B2-65021-1	CEF500344	12,1	40	18
9.9 (323cc)	OP075166 - OP400999	BIG FOOT		REC47-8508910	CEF500315	16	73	12,6
9.9 (323cc)	OP075166 - OP400999	NON BIG FOOT		REC47-420382	CEF500318	13	58,8	11,7
13.5 (International)	OP134638 +	BIG FOOT		REC47-8508910	CEF500315	16	73	12,6
13.5 (International)	OP134638 +	NON BIG FOOT		REC47-420382	CEF500318	13	58,8	11,7
15	OP9973100 +	BIG FOOT		REC47-8508910	CEF500315	16	73	12,6
15	OP9973100 +	NON BIG FOOT		REC47-420382	CEF500318	13	58,8	11,7
25	9973100 - OP388282			REC47-8508910	CEF500315	16	73	12,6
30	OP017000 - OP153499	2.31:1		REC47-43026Q02	CEF500301	22,4	89	32,5
30	OP017000 - OP153499	02:01:00		REC47-8508910	CEF500315	16	73	12,6
30 Carb (3Cyl)	OP153500 - OP400999			REC47-43026Q02	CEF500301	22,4	89	32,5
40	9944807 - OP153499	2.31:1		REC47-43026Q02	CEF500301	22,4	89	32,5
40	9944807 - OP153499	02:01:00		REC47-8508910	CEF500315	16	73	12,6
40 Carb (3Cyl)	OP153500 +	DRIVE SHAFT L		REC47-19453T	CEF500378	19,25	78,2	25,15
40 Carb (3Cyl)	OP153500 +	DRIVE SHAFT S		REC47-8508910	CEF500315	16	73	12,6
40 (4Cyl)	OP094500 - OP206999	1.83:1		REC47-19453T	CEF500378	19,25	78,2	25,15
40 (4Cyl)	OP094500 - OP206999	2.31:1		REC47-43026Q02	CEF500301	22,4	89	32,5
40 ITALY	OP017000 - OP094499	BIG FOOT		REC47-43026Q02	CEF500301	22,4	89	32,5
40 ITALY	OP017000 - OP094499	NON BIG FOOT		REC47-8508910	CEF500315	16	73	12,6
45 Bodensee	OP017000 +	2.31:1		REC47-43026Q02	CEF500301	22,4	89	32,5
45 Bodensee	OP017000 +	1.83:1 / 2:1		REC47-8508910	CEF500315	16	73	12,6
50 Et BIGFOOT	9944807 - OP094499	2.31:1		REC47-43026Q02	CEF500301	22,4	89	32,5
50 Et BIGFOOT	9944807 - OP094499	1.83:1 / 2:1		REC47-8508910	CEF500315	16	73	12,6
50	OP094500 - OP206999	1.83:1		REC47-19453T	CEF500378	19,25	78,2	25,15
50	OP094500 - OP206999	2.31:1		REC47-43026Q02	CEF500301	22,4	89	32,5
60 (4Cyl)	OP094500 - OP206999	1.83:1		REC47-19453T	CEF500378	19,25	78,2	25,15
60 (4Cyl)	OP094500 - OP206999	2.31:1		REC47-43026Q02	CEF500301	22,4	89	32,5
135/150/175/200 VERADO (4Cyl)	OP419487 +			REC47-43026Q02	CEF500301	22,4	89	32,5
200/225/250/275/300 VERADO (6Cyl)	OP409357 +			REC47-43026Q02	CEF500301	22,4	89	32,5



REC47-161543



REC3B2-65021-1



REC47-8508910



REC47-420382



REC47-43026Q02



REC47-19453T

EFI	CYL	REF	EFI	CYL	REF
10 EFI			40 EFI	1C043417 - 1C456299	3 REC47-19453T
15 EFI			40 EFI	1C456300 +	3 REC47-19453T
15 EFI SEAPRO	OR832820+	2 REC334-65021-1	40 EFI	OP153500 - OP400999	4 REC47-19453T
20 EFI			40 EFI	OP401000 - OP515896	4 REC47-43026Q02
25 EFI	OR106966 +	3 REC345-65021-0	40 EFI	OP515897 - OP580772	4 REC47-19453T
30 EFI	OP153500 - OP400999	3 REC47-8508910	40 EFI	OT409000 - 1B355222	4 REC47-19453T
30 EFI	OR106999 +	3 REC345-65021-0	40 EFI	1C000001 - 1C050251	4 REC47-43026Q02
30 EFI	OT409000 - 1B226999	3 REC47-8508910	40 EFI	1C050252 - 1C453839	4 REC47-19453T
30 EFI	1C109093 - 1C456299	3 REC47-19453T	40 EFI Et SEAPRO	1C453840 +	4 REC47-43026Q02
30 EFI	1C456300 +	3 REC47-19453T	50 EFI	OP153500 - OP400999	4 REC47-19453T
40 EFI	OP153500 - OP400999	BEL 3 REC47-8508910	50 EFI	OP401000 - OP515896	4 REC47-43026Q02
40 EFI	OP401000 - OP515896	BEL 3 REC47-8508910			
40 EFI	OP409000 - 1B226999	USA 3 REC47-8508910			
40 EFI	1B227000 - 1B355027	USA 3 REC47-8508910			
40 EFI	1C000001 - 1C043416	3 REC47-19453T			

EFI		CYL	REF
50 EFI	OP515897 - OP580772	BEL 4	REC47-19453T REC47-43026Q02
50 EFI	OT409000 - 1B355222	USA 4	REC47-19453T REC47-43026Q02
50 EFI	1C000001 - 1C050251	USA 4	REC47-19453T REC47-43026Q02
50 EFI	1C050252 - 1C453839	USA 4	REC47-19453T REC47-43026Q02
50 EFI	1C453840 +	USA 4	REC47-19453T REC47-43026Q02
60 EFI	OP153500 - OP400999	BEL 4	REC47-19453T REC47-43026Q02
60 EFI	OP401000 - OP515896	BEL 4	REC47-19453T REC47-43026Q02
60 EFI	OP515897 - OP580772	BEL 4	REC47-19453T REC47-43026Q02
60 EFI	OT409000 - 1B355222	USA 4	REC47-19453T REC47-43026Q02
60 EFI	1C000001 - 1C050251	USA 4	REC47-19453T REC47-43026Q02
60 EFI	1C050252 - 1C453839	USA 4	REC47-19453T REC47-43026Q02
60 EFI & SEAPRO	1C453840 +	USA 4	REC47-19453T REC47-43026Q02
75 EFI	1B172291 - 1B366822	USA 4	REC47-43026Q02
75 EFI	1B366823 - 2B094995	USA 4	REC47-43026Q02
75 EFI & SEAPRO	2B095049 +	4	REC47-43026Q02
80 EFI	OP459572 - 2B094995	BEL 4	REC47-43026Q02
80 EFI	1B227000 - 1B366822	USA 4	REC47-43026Q02
80 EFI	1B366823 - 2B094995	USA 4	REC47-43026Q02
80 EFI	2B095049 +	4	REC47-43026Q02
90 EFI	1B172291 - 1B366822	USA 4	REC47-43026Q02
90 EFI	1B366823 - 2B094995	USA 4	REC47-43026Q02
90 EFI & SEAPRO	2B095049 +	USA 4	REC47-43026Q02
100 EFI	OP459572 - 2B094995	BEL 4	REC47-43026Q02
100 EFI	1B227000 - 1B366822	USA 4	REC47-43026Q02
100 EFI	1B366823 - 2B094995	USA 4	REC47-43026Q02
100 EFI	2B095049 +	USA 4	REC47-43026Q02
115 EFI	OT178500 - OT800999	USA 4	REC47-43026Q02
115 EFI	OT801000 - 1B226999	USA 4	REC47-43026Q02
115 EFI	1B227000 - 1B366822	USA 4	REC47-43026Q02
115 EFI	1B366823 - 2B094995	USA 4	REC47-43026Q02
115 EFI & SEAPRO (XS)	2B095049 +	4	REC47-43026Q02
135	2B131942 +	4	REC47-43026Q02
135 VERADO	OP419487 - OP464487	BEL 4	REC47-43026Q02
135 VERADO	OP464488 - OP514868	BEL 4	REC47-43026Q02
135 VERADO	OP514869 - OP593020	BEL 4	REC47-43026Q02
135 VERADO	1B227000 - 1B381711	USA 4	REC47-43026Q02
135 VERADO	1B381712 - 1B517158	USA 4	REC47-43026Q02
135 VERADO	1B517159 - 2B576734	USA 4	REC47-43026Q02
150	1B905505 +	4	REC47-43026Q02
150 SEAPRO	2B139139 +	4	REC47-43026Q02
150 Pro XS	2B550139 +	4	REC47-43026Q02
150 VERADO	OP419487 - OP464487	BEL 4	REC47-43026Q02
150 VERADO	OP464488 - OP514868	BEL 4	REC47-43026Q02
150 VERADO	OP514869 - OP593020	BEL 4	REC47-43026Q02
150 VERADO	1B227000 - 1B381711	USA 4	REC47-43026Q02
150 VERADO	1B381712 - 1B517158	USA 4	REC47-43026Q02
150 VERADO	1B517159 - 2B576734	USA 4	REC47-43026Q02
175 VERADO	OP419487 - OP464487	BEL 4	REC47-43026Q02
175 VERADO	OP464488 - OP514868	BEL 4	REC47-43026Q02
175 VERADO	OP514869 - OP593020	BEL 4	REC47-43026Q02
175 VERADO	1B227000 - 1B381711	USA 4	REC47-43026Q02
175 VERADO	1B381712 - 1B517158	USA 4	REC47-43026Q02
175 VERADO	1B517159 - 2B576734	USA 4	REC47-43026Q02
175 (3.4L) V6 Et Pro XS	2B529482 +	USA 6	REC47-43026Q02
200 VERADO	OP514869 - OP593020	BEL 4	REC47-43026Q02

EFI		CYL	REF
200 VERADO	1B517159 - 2B576734	USA 4	REC47-43026Q02
200 VERADO	OP409357 - OP464487	BEL 6	REC47-43026Q02
200 VERADO	OP464488 - OP520552	BEL 6	REC47-43026Q02
200 VERADO	OP520553 - 2B144122	BEL 6	REC47-43026Q02
200 VERADO	OT980000 - 1B226999	USA 6	REC47-43026Q02
200 VERADO	1B227000 - 1B381711	USA 6	REC47-43026Q02
200 VERADO	1B381712 - 1B517433	USA 6	REC47-43026Q02
200 VERADO	1B517434 - 2B144122	USA 6	REC47-43026Q02
200 VERADO	2B144123 - 2B578935	USA 6	REC47-43026Q02
200 Pro VERADO	2B034840 - 2B144122	6	REC47-43026Q02
200 Pro VERADO	2B144123 - 2B577715	6	REC47-43026Q02
200 (3.4L) V6 Et SEAPRO	2B529482 +	USA 6	REC47-43026Q02
200 (4.6L) V8 PRO XS	2B529482 +	USA 8	REC47-43026Q02
225 EFI	OT653945 +	USA 6	REC6E5-44352-01
225 VERADO	OP409357 - OP464487	BEL 6	REC47-43026Q02
225 VERADO	OP464488 - OP520552	BEL 6	REC47-43026Q02
225 VERADO	OP520553 - 2B144122	BEL 6	REC47-43026Q02
225 VERADO	OT980000 - 1B226999	USA 6	REC47-43026Q02
225 VERADO	1B227000 - 1B381711	USA 6	REC47-43026Q02
225 VERADO	1B381712 - 1B517433	USA 6	REC47-43026Q02
225 VERADO	1B517434 - 2B144122	USA 6	REC47-43026Q02
225 VERADO	1B517434 - 2B144122	USA 6	REC47-43026Q02
225 VERADO	2B144123 - 2B578935	USA 6	REC47-43026Q02
225 (3.4L) V6 Et SEAPRO	2B529482 +	USA 6	REC47-43026Q02
225 (4.6L) V8 PRO XS	2B529482 +	USA 8	REC47-43026Q02
250 VERADO	OP409357 - OP464487	BEL 6	REC47-43026Q02
250 VERADO	OP464488 - OP520552	BEL 6	REC47-43026Q02
250 VERADO	OP520553 - 2B144122	BEL 6	REC47-43026Q02
250 VERADO	OT980000 - 1B226999	USA 6	REC47-43026Q02
250 VERADO	1B227000 - 1B381711	USA 6	REC47-43026Q02
250 VERADO	1B381712 - 1B517433	USA 6	REC47-43026Q02
250 VERADO	1B517434 - 2B144122	USA 6	REC47-43026Q02
250 VERADO	2B144123 - 2B578935	USA 6	REC47-43026Q02
250 VERADO	2B144123 - 2B578935	USA 6	REC47-43026Q02
250 VERADO	2B144123 - 2B577715	USA 6	REC47-43026Q02
250 VERADO	2B529482 +	USA 8	REC47-43026Q02
250 (4.6L) V8 RACING	1E080500+	USA 8	REC47-43026Q02
275 VERADO	OP409357 - OP464487	BEL 6	REC47-43026Q02
275 VERADO	OP464488 - OP520552	BEL 6	REC47-43026Q02
275 VERADO	OP520553 - 2B144122	BEL 6	REC47-43026Q02
275 VERADO	OT980000 - 1B226999	USA 6	REC47-43026Q02
275 VERADO	1B227000 - 1B381711	USA 6	REC47-43026Q02
275 VERADO	1B381712 - 1B517433	USA 6	REC47-43026Q02
275 VERADO	1B517434 - 2B144122	USA 6	REC47-43026Q02
275 VERADO	2B144123 - 2B578935	USA 6	REC47-43026Q02
275 VERADO	2B144123 - 2B577715	USA 6	REC47-43026Q02
300 VERADO	OP520553 - 2B144122	BEL 6	REC47-43026Q02
300 VERADO	1B517434 - 2B144122	USA 6	REC47-43026Q02
300 VERADO	2B144123 - 2B578935	USA 6	REC47-43026Q02
300 PRO VERADO	1B830170 - 2B144122	6	REC47-43026Q02
300 PRO VERADO	2B144123 - 2B577715	USA 6	REC47-43026Q02
300 (4.6L) V8, VERADO, SEAPRO Et PRO XS	2B529482 +	USA 8	REC47-43026Q02
300 (4.6L) V8 RACING	1E080500+	USA 8	REC47-43026Q02
350SCi VERADO	1B716557 - 2B143542	6	REC47-43026Q02
350 2.6L L6 VERADO	2B141617 +	USA 6	REC47-43026Q02
350 2.6L L6 PRO VERADO	2B141124 +	USA 6	REC47-43026Q02
400 2.6L L6 VERADO	2B618256 +	USA 6	REC47-43026Q02
400R 2.6L L6 RACING	2B141124 +	USA 6	REC47-43026Q02
450 4.6L V8 RACING	2B529482 +	USA 8	REC47-43026Q02



REC334-65021-1



REC47-8508910



REC47-19453T



REC47-43026Q02



REC6E5-44352-01



REC345-65021-0

KITS DE RETENES

SEAL KIT

KIT TENUTE

KITS JOINTS

MERCURY MARINER

REF	OEM	2T STROKES	4T STROKES
REC26-77066A1	26-77066A1	4, 4.5, 45 (1 cyl) 7.5, 9.8 HP	✓

REF	OEM	2T STROKES	4T STROKES
REC26-79831A1	26-79831A1	30 Jet 35 - 70 HP	✓

REF	OEM	2T STROKES	4T STROKES
REC26-41365A3	26-41365A3	6 - 15 HP	✓

REF	OEM	2T STROKES	4T STROKES
REC26-814669A2	26-814669A2	30 - 60 HP	✓

REF	OEM	2T STROKES	4T STROKES
REC26-85090A2	26-85090A2	8 - 55 HP	✓

REF	OEM	2T STROKES	4T STROKES
REC26-43035A4	26-43035A4	30 - 125 HP	✓

REF	OEM	2T STROKES	4T STROKES
REC26-85090A1	26-85090A1	18, 25 HP	✓

REF	OEM	2T STROKES	4T STROKES
REC26-820645A1	26-820645A1	40 / 50 HP (1992-94)	✓

REF	OEM	2T STROKES	4T STROKES
REC823547A2	823547A2	25 - 50 HP	✓

REF	OEM	2T STROKES	4T STROKES
REC8M0088080	8M0088080	65 - 115 HP	✓

new

RECAMBIOS MARINOS

REF	OEM	2T STROKES	4T STROKES
REC8M0088081	8M0088081	65 - 115 HP CR	✓

new

REF	OEM	2T STROKES	4T STROKES
REC26-66303A1	26-66303A1	200 / 20 HP	✓

REF	OEM	2T STROKES	4T STROKES
REC26-55682A1	26-55682A1	75 - V225 HP	✓

REF	OEM	2T STROKES	4T STROKES
REC26-816575A4	26-816575A4	200 - 250 HP (DFI / EFI) Race Outboard 225 - 300 (2.5 & 3.0L)	✓ ✓

REF	OEM	2T STROKES	4T STROKES
REC26-89238A2	26-89238A2	105 / 140 Jet 150 / 1475 ProXS V-115 - V-220 (EFI / DFI) XR-4 / XR-6	✓

REF	OEM	2T STROKES	4T STROKES
REC69J-W0001-20-00		225 EFI	✓

REF	OEM	2T STROKES	4T STROKES
REC8M0057716	8M0057716	135, 150	✓

new

REF	OEM	2T STROKES	4T STROKES
REC26-8M0142979	26-8M0142979	V6 (3.4 L) V8 (4.6L) New Models	✓

new

REF	OEM	2T STROKES	4T STROKES
REC26-816575A5	26-816575A5	200 - 250 HP (DFI / EFI) (3.0L) Race Outboard (3.0L EFI)	✓ ✓

REF	OEM	2T STROKES	4T STROKES
REC8M0065064	8M0065064	VERADO 6 cyl (5.44 torpedo)	✓

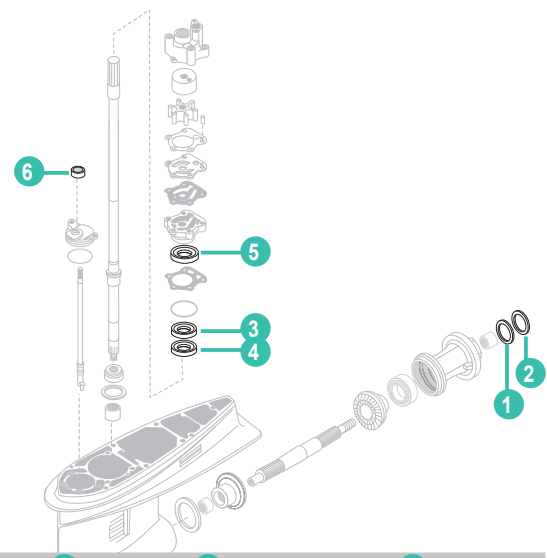
new

MERCURY

RECAMBIOS MARINOS

GUÍA KITS RETENES			GEARCASE SEAL KITS APPLICATION			GUIDA KIT TENUTE PIEDE			GUIDE DES KITS JOINTS		
	USA	BEL	REF		USA	BEL	REF		USA	BEL	REF
4 (1 cyl.)	5595532 - 0A809600	9258281 - 9477829	REC26-77066A1	60 (3 cyl.) (No Big Foot)	OD000750 +	9683055	REC26-814669A2				
4.5 (1 cyl.)	4107220	9072179	REC26-77066A1	60 (3 cyl.) (Big Foot)	OD000750 +	9683055	REC26-43035A4				
6	0A197112 +	9461526	REC26-41365A3	70 (3 cyl.)	4571652 - 0A996141	9135825 - 9385910	REC26-79831A1				
7.5 (7.5, 75)	4851693	9181726	REC26-77066A1	70 (3 cyl.)	0A996142 +	9483121	REC26-43035A4				
8	0A197112 +	9461526	REC26-41365A3	75 (3 cyl.)	0C222000 +	9589039	REC26-43035A4				
8 Bodense 4 T/ Strokes	0H00058 - 0H017349 0G760300 +		REC26-41365A3	75 (4 cyl.)	6432901	9393856	REC26-55682A1				
9.8 (9.8, 110)	4839254	9165303	REC26-77066A1	80 (80, 800) (4 cyl.)	4831999 - 6432900	9177626 - 9393855	REC26-55682A1				
9.9	0A197112 +	9461526	REC26-41365A3	80 (3 cyl.)	0A996142 +	9483121	REC26-43035A4				
9.9 4 T/ Strokes	0H00058 - 0H017349 0G760300 +		REC26-41365A3	90 (90, 900) (6 cyl.)	4845301		REC26-55682A1				
10 (XR10/SEA PRO 10)	OD038000 +	9596000	REC26-41365A3	90 (3 cyl.)	0A996142 +	9483121	REC26-43035A4				
10 Magnum / Marathon	OD038000 +	9596000	REC26-41365A3	100 (4 cyl.)	0B209468 +	9523034	REC26-43035A4				
15 (15, 15 Sea Pro / Marathon)	0B292414 +	9927000	REC26-41365A3	115 (115, 1150) (6 cyl.)	4855153		REC26-55682A1				
15 XD Sea Pro / Marathon		9927000	REC26-85090A2	115 (4 cyl.)	0C100000 +	9559771	REC26-43035A4				
15 (Super 15)	0B238464 +	9507381	REC26-85090A2	125 (4 cyl.)	0D283222 +	9793577	REC26-43035A4				
18	5837437 - 6443972	9308306 - 9415100	REC26-85090A1	140 (140, 1400) (6 cyl.)	4865678		REC26-55682A1				
18 (18XD)	6443973	9378151	REC26-85090A2	V-135	0A904646 - 0C239552		REC26-89238A2				
20 (20, 200)	4709593 - 6443972	9157230 - 9415100	REC26-66303A1	V-135	0C239553 +		REC26-89238A2				
20 (20, 20XD)	6443973	9415101	REC26-85090A2	V-135 DFI	0G590000 +		REC26-89238A2				
25	5705532 - 6443972	9315316 - 9415100	REC26-85090A1	V-150 (150, 1500)	4868998 - 0A904645		REC26-55682A1				
25 (25, 25XD)	6416713	9378116	REC26-85090A2	V-150 (CARB)	0A904646 +		REC26-89238A2				
25 LIGHTNING (3 cyl.)	0E268781 +		REC26-85090A2	V-150 (XR4/MAGNUM II)	0B242885 - 0C239552		REC26-89238A2				
25 4 T/ Strokes	0G590000 +		REC823547A2	V-150 (XR4)	0C239553 - 0D081999		REC26-89238A2				
30 (2 cyl.) (644cc)	0G053314 +		REC823547A2	V-150 (XR6/MAGNUM III)	0D082000 +		REC26-89238A2				
35 (2 cyl.)	6445653	9384476	REC26-79831A1	V-150 EFI	0D082000 +		REC26-89238A2				
40 (40, 402) (2 cyl.)	4860103 - 0G053313	9184451	REC26-79831A1	V-150 DFI	0G590000 +		REC26-89238A2				
40 (2 cyl.) (644cc)	0G053314 +		REC823547A2	V-175 (175, 1750)	4301235 - 6618750		REC26-55682A1				
40 (4 cyl.)	0C159200 +	9570790	REC26-79831A1	V-175 (CARB, EFI)	6618751		REC26-89238A2				
40 (3 cyl.)	0G531301 +	9973100	REC823547A2	V-200 (200, 2000)	4839034 - 6625220		REC26-55682A1				
40 4 T/ Strokes (No Big Foot)	0G231123 +		REC823547A2	V-200 (CARB, EFI)	6625221 - 6203990		REC26-89238A2				
45 (4 cyl.)	5531630	9248006	REC26-79831A1	V-200 DFI (3.0L)	0G386496 +		REC26-816575A5				
45 BODENSEE (No Big Foot) 4 T/ Strokes	0G231123 +		REC823547A2	V-220	0B117316 +		REC26-89238A2				
50 (500) (4 cyl.)	4357640	9107214	REC26-79831A1	V-225	5628028		REC26-55682A1				
50 (3 cyl.)	6428681 - 0D000749	9385911 - 9683054	REC26-79831A1	V-225 (3.0L) (C-2)	0D280813 +		REC26-816575A5				
50 (3 cyl.)	0D000750 - 0G589999	9683055 - 9973099	REC26-814669A2	V-225 (3.0L) (C-3)	0D280813 +		REC26-816575A4				
50 (3 cyl.)	0G590000 +	9973100	REC823547A2	(Sea Pro, Marathon) (C-2)	0G245605 +		REC26-816575A5				
50 (No Big Foot) 4 T/ Strokes	0G231123 +		REC823547A2	V-225 (3.0L) (C-3)	0G245605 +		REC26-816575A4				
50 (Big Foot) 4 T/ Strokes	0G231123 +		REC26-43035A4	V-225 EFI (3.0L)	0G129222 +		REC26-816575A5				
55 (3 cyl.)	0D000750 +	9683055	REC26-814669A2	V-225 DFI (3.0L)	0G590000 +		REC26-816575A5				
60 (3 cyl.)	6428681 - 0D000749	9385911 - 9683054	REC26-79831A1	V-250 EFI (3.0L)	0G129222 +		REC26-816575A5				

GUÍA RETENES		GEARCASE SEAL APPLICATION		GUIDA TENUTE PIEDE		GUIDE DES JOINTS	
		1	2	3	4	5	6
3.5,3.6	5404657			REC26-897153		REC26-30913	
3.9	1655013 - 2498135					REC26-30913	
4	2498136 - 5569201					REC26-30913	
4	5569202 - 5595531			REC26-897153		REC26-30913	
4,4.5	5595532 - A809601			REC26-897153		REC26-30913	
6	1408611 - 2529894					REC26-30913	
7.5	2529895 - 3801457					REC26-30913	
7.5	3801458 - 5206549					REC26-30913	
7.5	5206550			REC26-897153		REC26-30913	
9.8	1470349 - 3795657					REC26-30913	
9.8	3795658 - 5206549					REC26-30913	
9.8	5206550			REC26-897153		REC26-30913	
18	5837437 - 6443972			REC26-33467	REC26-33467		
20	1558310 - 1866494			REC26-33467		REC908855	
20	1866495 - 6443972			REC908855	REC26-33467	REC908855	
25	5705532 - 6443972			REC26-33467	REC26-33467		
30	1271885 - 1356947	REC26-90562		REC26-90562			REC26-8164641
30	G055314 +	REC26-69188	REC26-69189				
MK35A	1217222 - 1271884	REC26-90562	REC26-90562				REC26-8164641
35	1356948 - 1448139	REC26-90562		REC26-90562			REC26-8164641
35	1571114 - 1960826	REC26-90562		REC26-90562			REC26-8164641
35	1960827 - 2874703	REC26-90562		REC26-90562	REC26-79831		REC26-8164641
35	6445653	REC26-69188		REC26-90562	REC26-79831		REC26-8164641
40	1279685 - 2874703	REC26-90562		REC26-90562			REC26-8164641
40	2874704 - 3336257	REC26-56788		REC26-90562	REC26-79831		REC26-8164641
40	3338258 - 4117709	REC26-56788		REC26-90562	REC26-79831		REC26-24590
40	4117710 - 4860102	REC26-69188	REC26-69189	REC26-90562	REC26-79831		REC26-8164641/ REC26-24590
40	4880103 - 6445652	REC26-69188	REC26-69189	REC26-90562	REC26-79831		REC26-8164641
40 (4 Cyl.)	C159200 - G053313	REC26-69188	REC26-69189	REC26-90562	REC26-79831		REC26-8164641



		1	2	3	4	5	6
40 (2 Cyl)	G055314 +	REC26-69188	REC26-69189				
45	1476510 - 1531568	REC26-90562		REC26-90562			REC26-8164641
45 (4 Cyl)	5531630	REC26-69188	REC26-69189	REC26-90562	REC26-79831		REC26-8164641
50	1421113 - 1639472	REC26-90562		REC26-90562			REC26-8164641
50	1639473 - 1770178	REC26-90562		REC26-90562			REC26-8164641
50	1770179 - 2305100	REC26-90562		REC26-90562	REC26-79831		REC26-8164641
50	2305101 - 2858813	REC26-90562		REC26-90562	REC26-79831		REC26-24590
50	2858814 - 4140999	REC26-56788		REC26-90562	REC26-79831		REC26-8164641/ REC26-24590
50	4141000 - 4962055	REC26-69188	REC26-69189	REC26-90562	REC26-79831		REC26-8164641/ REC26-24590
50	4962056 - 5531630	REC26-69188	REC26-69189	REC26-90562	REC26-79831		REC26-8164641
50 (3 Cyl)	6428681 - D000750	REC26-69188	REC26-69189	REC26-90562	REC26-79831		REC26-8164641
50-60 (3 C)	D00075 +	REC26-69188	REC26-69189			REC26-8164641	
60	1303411 - 1542744			REC26-90562			
60	6428681 - D000750	REC26-69188	REC26-69189	REC26-90562	REC26-79831		REC26-8164641
65	1542745 - 2874263	REC26-76868	REC26-76868	REC26-94038		REC26-16977	REC26-8164641
65	2874263 - 3293183	REC26-76868		REC26-94038	REC26-55682	REC26-16977	REC26-8164641/ REC26-24590
65 (3 Cyl)	3293164 - 4138684	REC26-56788		REC26-90562	REC26-79831		REC26-8164641/ REC26-24590
65 (3 Cyl)	4136685 - 4571651	REC26-69188	REC26-69189	REC26-90562	REC26-79831		REC26-8164641/ REC26-24590
70	1296411 - 1413610	REC26-90562					
70	1413811 - 1566239	REC26-76868	REC26-76868	REC26-94038		REC26-16977	REC26-8164641
70 (3 Cyl)	4571652 - 4977156	REC26-69188	REC26-69189	REC26-90562	REC26-79831		REC26-8164641/ REC26-24590
70 (3 Cyl)	4977157 - 5579016	REC26-69188	REC26-76127	REC26-90562	REC26-79831		REC26-8164641
70 (3 Cyl)	5679017 - A996142	REC26-69188		REC26-90562	REC26-79831		REC26-8164641
70,75 (3 C)	A996142 +	REC26-76868	REC26-70081		REC26-43036		
75 (4 Cyl)	6432901 - A996142	REC26-76868	REC26-70081	REC26-16977	REC26-94038		REC26-8164641
80	1335465 - 1398629	REC26-76868	REC26-76868	REC26-94038		REC26-16977	REC26-8164641
80	1398630 - 1566239	REC26-76868	REC26-76868	REC26-94038		REC26-16977	REC26-8164641
80 (4 Cyl)	2559001 - 3144218	REC26-76868	REC26-76868	REC26-16977	REC26-94038	REC26-16977	REC26-8164641/ REC26-24590
80 (4 Cyl)	3144219 - 4831998	REC26-76868	REC26-76868	REC26-55682	REC26-94038	REC26-16977	REC26-8164641/ REC26-24590
80 (4 Cyl)	4831999 - 5582561	REC26-76868	REC26-76868	REC26-16977	REC26-94038		REC26-8164641
80 (4 Cyl)	5582562 - A996142	REC26-76868	REC26-70081	REC26-16977	REC26-94038		REC26-8164641
80 (3 Cyl)	A996142 +	REC26-76868	REC26-70081		REC26-43036		
85	1460999 - 1766823	REC26-76868	REC26-76868	REC26-94038		REC26-16977	REC26-8164641
85 (4 Cyl)	3493913 - 4590511	REC26-76868	REC26-76868	REC26-55682	REC26-94038		REC26-8164641/ REC26-24590
85 (4 Cyl)	4590512 - 4831998	REC26-76868	REC26-76868	REC26-16977	REC26-94038		REC26-8164641/ REC26-24590
90	1766824 - 1869775	REC26-76868	REC26-76868	REC26-16977	REC26-94038	REC26-16977	REC26-8164641
90	4845301 - 5594856	REC26-76868	REC26-76868	REC26-16977	REC26-94038		REC26-8164641
90	5594657 - A996142	REC26-76868	REC26-70081	REC26-16977	REC26-94038		REC26-8164641
90 (3 Cyl)	A996142 +	REC26-76868	REC26-70081		REC26-43036		
95	1869776 - 2318585	REC26-76868	REC26-76868	REC26-16977	REC26-94038	REC26-16977	REC26-8164641/ REC26-24590
100, 100SS	1464949 - 2836018	REC26-76868	REC26-76868	REC26-16977	REC26-94038	REC26-16977	REC26-8164641
100BP	2399698 - 2641854	REC26-76868	REC26-76868	REC26-16977	REC26-94038	REC26-16977	REC26-8164641/ REC26-24590
100 (4 Cyl)	B209468 +	REC26-76868	REC26-70081		REC26-43036		
110	1870204 - 2314955	REC26-76868	REC26-76868	REC26-16977	REC26-94038	REC26-16977	REC26-8164641/ REC26-24590
115	2836019 - 3525440	REC26-76868	REC26-76868	REC26-16977	REC26-94038	REC26-16977	REC26-8164641/ REC26-24590
115	3525440 - 4122634	REC26-76868	REC26-76868	REC26-16977		REC26-8164641	REC26-90562/ REC26-24590
115	4122635 - 4855152	REC26-76868	REC26-76868	REC26-16977	REC26-94038		REC26-8164641/ REC26-24590
115	4855153 - 5600966	REC26-76868	REC26-76868	REC26-16977	REC26-94038		REC26-8164641
115	5600967 - C100000	REC26-76868	REC26-70081	REC26-16977	REC26-94038		REC26-8164641
115 (4 Cyl)	C100000 +	REC26-76868	REC26-70081		REC26-43036		
125	2314956 - 2839368	REC26-76868	REC26-76868	REC26-16977	REC26-94038	REC26-16977	REC26-8164641
135	2839369 - 3293233	REC26-76868	REC26-76868	REC26-16977	REC26-94038	REC26-16977	REC26-8164641
140	3293234 - 3502805	REC26-76868	REC26-76868	REC26-16977	REC26-94038	REC26-16977	REC26-8164641/ REC26-24590
140	4865678	REC26-76868	REC26-76868	REC26-16977	REC26-94038		REC26-8164641
150	3502806 - 4121434	REC26-76868	REC26-76868	REC26-16977	REC26-94038		REC26-8164641/ REC26-24590
150	4121434 - 5327662	REC26-76868	REC26-76868	REC26-16977	REC26-94038		REC26-8164641/ REC26-24590
150/150XR2	4868998 - 5432021	REC26-76868	REC26-76868	REC26-16977	REC26-89238		REC26-8164641
150/150XRS	5432021 - A904646	REC26-76868	REC26-76868	REC26-16977	REC26-89238		REC26-8164641
150/150XR2	A904646 +	REC26-76868	REC26-76868	REC26-16977	REC26-89238		REC26-8164641
175	4301235 - 6618750	REC26-76868	REC26-76868	REC26-16977	REC26-89238		REC26-8164641
175	6618751	REC26-76868	REC26-76868	REC26-16977	REC26-89238		REC26-8164641
200	4839034 - 6073191	REC26-76868	REC26-76868	REC26-16977	REC26-89238		REC26-8164641
200	6073192	REC26-76868	REC26-76868	REC26-16977	REC26-89238		REC26-8164641
220	B117316 +	REC26-76868	REC26-76868	REC26-16977	REC26-89238		REC26-8164641
225	5628028 - D280813	REC26-76868	REC26-76868	REC26-16977	REC26-89238		REC26-8164641
250/275	C101891 +	REC26-76868	REC26-76868	REC26-16977	REC26-89238		REC26-8164641
3.4L	5611648	REC26-76868	REC26-76868	REC26-16977	REC26-89238		REC26-8164641

BOMBA DE AGUA

WATER PUMP

POMPA ACQUA

POMPE À EAU

BASES BOMBA DE AGUA

WATER PUMP BASE ASSEMBLY

BASE, POMPA ACQUA

BASE DE POMPE À EAU

REF	OEM	STROKES	2T	4T
REC46-70941T01	46-70941A1	3.9 - 9.8 HP	✓	



REF	OEM	STROKES	2T	4T
REC8M0057748	8M0057748 8M0050522	75 - 150 HP EFI		✓

new

REF	OEM	STROKES	2T	4T
REC8M0134493	8M0134493	9.9, 10, 15, 20 EFI		✓

new

REF	OEM	STROKES	2T	4T
REC46-8M0077147	46-42579A3	105- 1470 Jet / 150-175 ProXS V-135 - V-220 (DFI/EFI) (2.5L) XR-4 / XR-6		

REF	OEM	STROKES	2T	4T
REC46-821307A2	46-821307A2	25 - 50 HP	✓	✓

REF	OEM	STROKES	2T	4T
REC8M0007131	888909A1	135 - 300 HP Verado 200 - 250 HP		✓

REF	OEM	STROKES	2T	4T
REC46-77177A1	46-77177A1	30 Jet 35 - 70 HP		

REF	OEM	STROKES	2T	4T
REC46-96146A6	46-96146A6	V-150 - V-225 (Work /XR-2 / Marathon) 2.4L (EFI) Race Outboard		✓


REF	OEM	STROKES	2T	4T
REC46-812966A7	46-812966A7	30 - 60 HP	✓	✓


REF	OEM	STROKES	2T	4T
REC8M0046297	8M0046297	175 - 400 HP VERADO V6 Et V8		✓


new


MERCURY MARINER

RECAMBIOS MARINOS

REF	OEM		2T STROKES	4T STROKES
REC807929A1	807929A1		200 - 300 HP (DFI / EFI / Carb) (3.0L)	✓



REF	OEM		2T STROKES	4T STROKES
REC46-73640A1	46-73640A1		402 500, 50, 70, 650 (3 Cyl)	✓




KIT BASES BOMBA DE AGUA

KIT WATER PUMP BASE ASSEMBLY

KIT BASE, POMPA ACQUA

KIT BASE DE POMPE À EAU

REF	OEM		2T STROKES	4T STROKES
REC39580			35 - 60 HP	✓




CUERPO BOMBA DE AGUA


HOUSING, WATER PUMP

CORPO, POMPA ACQUA

CORPS DE POMPE À EAU

REF	OEM		2T STROKES	4T STROKES
PAF6-03000001	46-16156		4, 5, 6 HP JPN OR000001+ BEL OP073456+	✓

new




REF	OEM		2T STROKES	4T STROKES
REC46-99157A02	46-99157A02		8, 9.9, 13.5, 15 18, 20, 25	✓




REF	OEM		2T STROKES	4T STROKES
REC93224A1	46-93224A1		4, 4.5, 39, 40 (1 cyl) 7.5, 9.8 HP	



REF	OEM		2T STROKES	4T STROKES
REC8M0134492	8M0134492		9.9, 10, 15, 20 EFI	✓

new





REF	OEM		2T STROKES	4T STROKES
REC46-42089A2	46-42089A2		6 - 15 HP	





REF	OEM		2T STROKES	4T STROKES
REC46-77822A1	46-77822A1		30 Jet 35, 40, 402 (2 cyl) 50, 60, 70 (3 cyl) 45, 50, 500 (4 cyl)	



REF	OEM		2T STROKES	4T STROKES
PAF8-04000009	803752A02		8 et 9.9 (209 cc)	✓




REF	OEM		2T STROKES	4T STROKES
REC14334A3	14334A3		30 - 60 HP Formula 60	✓




REF	OEM		2T STROKES	4T STROKES
REC817275A2	817275A2		✓	✓

40 - 250 HP
3.0L EFI / SeaPro



REF	OEM		2T STROKES	4T STROKES
REC61A-44311-00	888686T			✓

225 EFI
(0T653945+)




new

REF	OEM		2T STROKES	4T STROKES
REC46-96148T1	46-96148T1			


110 - 140 Jet
V-115 - V-200
XR-6




P 283

REF	OEM		2T STROKES	4T STROKES
REC817275A1	817275A1		✓	✓
RM817275A1				


200 - 400 HP




TAPA BOMBA DE AGUA WATER PUMP PLATE PIASTRA POMPA ACQUA PLAQUE DE POMPE À EAU


REF	OEM		2T STROKES	4T STROKES
REC46895	46895		✓	

4, 4.5, 40, 45 HP (1 cyl)
7.5, 75, 60, / 9.8 HP
110 HP




REF	OEM		2T STROKES	4T STROKES
REC803753	80375		✓	✓


8 - 20 HP




new


REF	OEM		2T STROKES	4T STROKES
REC16159	16159		✓	✓

4, 5 HP
4, 5, 6 HP



REF	OEM		2T STROKES	4T STROKES
REC85083	85083		✓	✓


8 - 25 HP




REF	OEM		2T STROKES	4T STROKES
PAF8-04000007	8037531		✓	✓

6, 8, 9.8 HP
6, 8, 9.8 HP (209 cc)



REF	OEM		2T STROKES	4T STROKES
REC8M0135805	8M0135805			✓

9.9, 10, 15, 20 EFI



new

REF	OEM		2T STROKES	4T STROKES
REC42200	42200		✓	✓

6, 15 hp



REF	OEM	2T STROKES	4T STROKES
REC682-44323-40	84026M	9.9, 15 (682/684)	✓

new

REF	OEM	2T STROKES	4T STROKES
REC663-44323-00	81420M	60 HP (2 cyl) E-675	✓

new

REF	OEM	2T STROKES	4T STROKES
REC8213542	821354-2	25 - 50 HP	✓

REF	OEM	2T STROKES	4T STROKES
REC8172761	817276-1	100 - 350 HP	✓

REF	OEM	2T STROKES	4T STROKES
REC19700A2	19700A2	30 - 60 HP	✓

REF	OEM	2T STROKES	4T STROKES
REC324351	32435	110 - 140 Jet 150 - 175 ProXs(2.5L) V-135 - V-200 HP XR-6	✓

REF	OEM	2T STROKES	4T STROKES
REC32768	54705	350 / 500 400 (2 Cyl) 450 (4 Cyl)	✓

CASQUILLO SLINGER BOCCOLA INSERT

REF	OEM
REC48752T	48752
REC48753	48753
REC70977T	70977
REC16157	16157



REC48752T

REC48753

REC70977T

REC16157

REF	OEM
REC48752T	48752
REC48753	48753
REC70977T	70977
REC16157	16157
REC25-20273	25-20273
REC25-86203	25-86203
REC25-30271	25-30271



REC25-20273

REC25-86203

REC25-30271

REF	OEM	2T STROKES	4T STROKES
PAF8-04000010	8037511	6, 8, 9.8 HP 8 Et 9.9 (209 cc)	✓

new

REF	OEM	2T STROKES	4T STROKES
REC682-44322-00	84025M	9.9, 15C (682/688)	✓


new

REF	OEM	2T STROKES	4T STROKES
REC663-44322-00	81419M	60 HP (2 cyl) (E9675)	✓

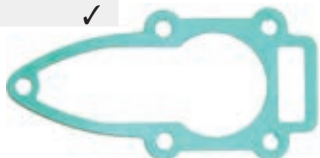
new

JUNTAS BOMBA WATER PUMP GASKETS GUARNIZIONI POMPA JOINTS DE POMPE


REF	OEM	2T STROKES	4T STROKES
PAF8-0400006	161586	6, 8, 9,8 HP	✓
		8, 9,9 HP	✓




REF	OEM	2T STROKES	4T STROKES
PAF8-0400005	161587	6, 8, 9,8 HP	✓
		8, 9,9 HP	✓



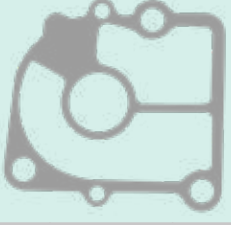
REF	OEM	2T STROKES	4T STROKES
REC27-1920201	27-19202	6, 15 hp (1999-06)	✓




REF	OEM	2T STROKES	4T STROKES
REC27-192043	27-19202	6 - 25 HP (1986-05)	✓




REF	OEM	2T STROKES	4T STROKES
REC27-8M0075040	27-8M0075040	9.9, 15, 18 (Inter.)	✓
		8, 9.9, 10, 15, 20 hp	✓




REF	OEM	2T STROKES	4T STROKES
REC27-8M0135804	27-8M0135804	9.9, 10, 15, 20 EFI	✓




REF	OEM	2T STROKES	4T STROKES
REC27-8M0135806	27-8M0135806	9.9, 10, 15, 20 EFI	✓



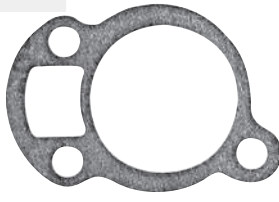
REF	OEM	2T STROKES	4T STROKES
REC27-85087	27-85087	18, 25 HP	✓




REF	OEM	2T STROKES	4T STROKES
REC27-993261	27-99326-1	200, 18, 20, 25 HP	✓




REF	OEM	2T STROKES	4T STROKES
REC27-39626	27-39626	20, 200 HP	✓




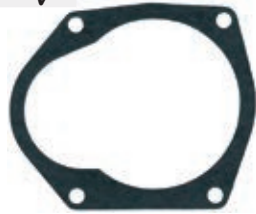
REF	OEM	2T STROKES	4T STROKES
REC27-396231	27-39623	20, 200 HP	✓





REF	OEM	2T STROKES	4T STROKES
REC27-39625	27-39625	20, 200 HP	✓





REF	OEM		2T STROKES	4T STROKES
REC27-822189	27-822189	25 - 50 HP	✓	✓





REF	OEM		2T STROKES	4T STROKES
REC27-19552	19552	30 Jet 35 40, 45 (4cyl)	✓	





REF	OEM		2T STROKES	4T STROKES
REC27-822217	27-822217	25 - 50 HP	✓	✓




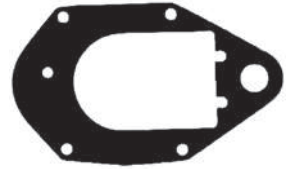
REF	OEM		2T STROKES	4T STROKES
REC27-8172771	27-43034-1	40-125 HP	✓	✓




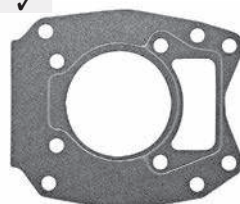
REF	OEM		2T STROKES	4T STROKES
REC27-19553	27-19553	30 - 45 HP (1987-97)	✓	





REF	OEM		2T STROKES	4T STROKES
REC27-8M4502052	27-8M4502052	40 - 60 HP 50 - 60 HP	✓	✓



REF	OEM		2T STROKES	4T STROKES
REC27-430472	27-43047-2	30-125 HP	✓	✓




REF	OEM		2T STROKES	4T STROKES
REC27-8M0142616	8M0142616 27-8M0050720	40 - 400 HP	✓	✓





new


REF	OEM		2T STROKES	4T STROKES
REC27-430331	27-43033-1	30 HP +	✓	✓




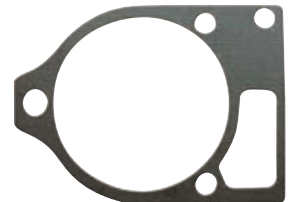
REF	OEM		2T STROKES	4T STROKES
REC27-32438	27-32438	65-150 HP (1970-85)	✓	




REF	OEM		2T STROKES	4T STROKES
REC27-19551	27-19551	30-60 HP (1987-97)	✓	




REF	OEM		2T STROKES	4T STROKES
REC27-426311	27-42631-1	105, 140 JET 175 PROXS (2.5 L) V-115 DFI (2.5L) V-135, V-140, V-150, V-175, V-200 XR-4, XR-6		✓



REF	OEM		2T STROKES	4T STROKES
REC27-856081	27-85608-1	V-115 - V-200		



REF	OEM		2T STROKES	4T STROKES
REC27-32771	27-32771	440 - 350 (1970-79)	✓	



REF	OEM		2T STROKES	4T STROKES
REC27-858524	27-858524	V-115 - V-200	✓	



REF	OEM		2T STROKES	4T STROKES
REC27-856704	27-85610-1	RM/MR (1983-90)	✓	



KITS DE REPARACIÓN BOMBA DE AGUA WATER PUMP SERVICE KITS

KIT RICAMBI POMPA ACQUA KIT REPARATION DE POMPE A EAU


REF	OEM		2T STROKES	4T STROKES
REC47-89980T1	47-89980T1	Int. Ø 0.438	✓	



REF	OEM		2T STROKES	4T STROKES
REC46-42040T5	46-42040A5	6 - 15 HP	✓	✓



REF	OEM		2T STROKES	4T STROKES
REC6A1-W0078-01	814453M	MARINER 2B (6A1-000101+)	✓	



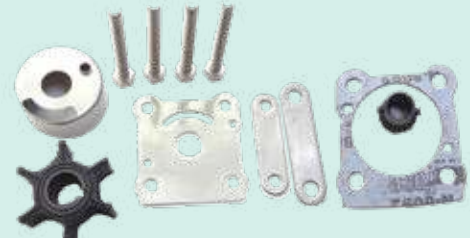
REF	OEM		2T STROKES	4T STROKES
REC46-42089A5	46-42089A5	6 - 15 HP	✓	✓



REF	OEM		2T STROKES	4T STROKES
REC46-70941A3	46-70941A3	(1975-85) 4, 4.5, 7.5, 9.8 HP	✓	



REF	OEM		2T STROKES	4T STROKES
REC6G1-W0078-A1	11656T 11656M	MARINER 6C, 8C (6H8, 6G1)	✓	



REF	OEM		2T STROKES	4T STROKES
REC47-89981Q1	47-89981T2	4 - 9.8 HP Int. Ø 0.456	✓	



REF	OEM		2T STROKES	4T STROKES
REC47-42038Q3	47-42038T4	8 - 15 HP	✓	



REF	OEM	2T STROKES	4T STROKES
REC46-99157T2	46-99157T2	(1984+) 15XD, 18XD, 20XD, 25XD, 25 HP (3 cyl) 8- 25 HP	✓

REF	OEM	2T STROKES	4T STROKES
REC853792T01	853792T01 853792A1	20, 25, 30 HP 2cyl INTER. (BEL ON001875+)	✓

REF	OEM	2T STROKES	4T STROKES
REC47-803748K01	47-803748K01 47-803748Q01	8, 9.9HP (209cc) USA OR042475+ BEL OP325500+ (2005+) STANDARD GEARCASE	✓

REF	OEM	2T STROKES	4T STROKES
REC689-W0078-A6	42431M	MARINER 20C (6A9) 25C (695) 30A (689)	✓

REF	OEM	2T STROKES	4T STROKES
REC98-8M0135821	98-8M0135821	9.9 EFI (1R00814+) 10, 15, 20 EFI (OR833820+)	✓

REF	OEM	2T STROKES	4T STROKES
REC689-W0078-A6	95661T	MARINER 20C (6A9) (010112+) 25C (695) (023896+) 30A (689) (022059+)	✓

REF	OEM	2T STROKES	4T STROKES
REC682-W0078-A1	46-84277T 46-84277M	MARINER 9.9 (682) 15C (684)	✓

REF	OEM	2T STROKES	4T STROKES
REC47-89982T1	47-89982T1	20 HP	✓

REF	OEM	2T STROKES	4T STROKES
REC47-85089Q4	47-85089T7	15 - 25 HP	✓

REF	OEM	2T STROKES	4T STROKES
REC821354A2	821354A2	25 - 50 HP	✓

new

REF	OEM	2T STROKES	4T STROKES
REC821354A04	821354A04	25 HP (2.4:1 gear ratio) 30, 40 HP (3 cyl) (2:1 gear ratio)	✓

REF	OEM	2T STROKES	4T STROKES
REC46-60366T1	46-60366T1 46-60366Q1	30, 40, 50, 60 HP (-1976)	✓

REF	OEM	2T STROKES	4T STROKES
REC46-77177A3	46-77177A3	30 - 70 HP	✓

new

REF	OEM	2T STROKES	4T STROKES
RECMC00004	8M0100526	40 - 350 HP	✓

REF	OEM	2T STROKES	4T STROKES
REC46-812966A12	46-812966A11 46-812966A12	30 - 60 HP	✓

REF	OEM	2T STROKES	4T STROKES
REC46-812966A12	46-812966A12	(1991+) 40, 50, 60 EFI HP 30 - 60 HP Formula 60	✓

REF	OEM	2T STROKES	4T STROKES
REC43055A4	43055A4	30 - 125 HP	✓

REF	OEM	2T STROKES	4T STROKES
REC12094	46-43024A7 46-8M0113799	40 - 125 HP	✓

REF	OEM	2T STROKES	4T STROKES
REC47-43026Q06	47-43026T11, T8	30 - 350HP	✓

new

REF	OEM	2T STROKES	4T STROKES
REC679-W0078-A1	84363T	MARINER 40B (676) B000106+ 40C (6E9) 000106+	✓

REF	OEM	2T STROKES	4T STROKES
REC47-89983Q1	47-89983T2	35 - 70 HP	✓

REF	OEM	2T STROKES	4T STROKES
REC47-19453QZ	47-19453Q2	40 - 60 HP	✓ ✓

REF	OEM	2T STROKES	4T STROKES
REC46-73640A2	46-73640A2	70 HP (3 cyl) 500/50 HP (4 cyl)	✓

REF	OEM	2T STROKES	4T STROKES
REC663-W0078-01	84188T	MARINER 55 (663) 60 (675, 6F0)	✓

REF	OEM	2T STROKES	4T STROKES
REC46-96148A8	46-96148A8	75 - 200 HP XR-6 (V-Models)	✓

REF	OEM	2T STROKES	4T STROKES
REC46-8M0061040	46-8M0061040	65 - 150 HP	✓

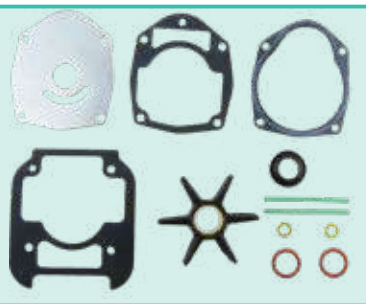
REF	OEM	2T STROKES	4T STROKES
REC817275A08	817275A08	135 - 300 (4, 6 cyl) 3.0L DF/EFI	✓

REF	OEM	2T STROKES	4T STROKES
REC47-89984Q5	47-89984T6	65 HP (4 cyl) V6	✓

PALETA CORTA
SHORT VANE
PALE CORTO
PALES COURTES


REF	OEM	2T STROKES	4T STROKES
REC817275A09	817275A09	(2005+) 135, 150, 175, 200, 225, 250, 275, 300 HP Verado 200, 225, 250, 300 (DFI) (3.0L)	✓ ✓

new




REF	OEM	2T STROKES	4T STROKES
REC47-8M0142980	47-8M0142980	175, 200, 225 HP 3.4L (V6) 225, 250, 300, 450 HP 4.6L (V8)	✓


REF	OEM	2T STROKES	4T STROKES
REC817275A6	817275A6	200 DFI 225 (3.0L Carb) EFI (SeaPro) 250 (3.0L EFI)	✓



REF	OEM	2T STROKES	4T STROKES
REC46-96148A8	46-60367A1 46-96148A8	V-115 - V-200 (2.5L) (EFI/DFI)	✓




new



REF	OEM	2T STROKES	4T STROKES
REC817275Q05	817275A5	3.0L DFI/EFI 200, 225, 25, 300 HP (3.0L) 300 HP (3.2L)	✓


new

REF	OEM	2T STROKES	4T STROKES
REC8M0065072	8M0065072	200 - 400 HP VERADO (5.44 torpedo) (6 cyl)	✓



new

REF	OEM	2T STROKES	4T STROKES
REC6G5-W0078-A1	888687A1	225 EFI OT653945+	✓








GUÍA BOMBA Y RETENES		GUIDE, WATER PUMP AND SEALS		GUIDA POMPA E TENUTE		GUIDE DES KITS POMPE ET JOINTS	
🔧		CYL	KIT BOMBA PUMP SET KIT POMPA KIT POMPE		KIT RETÉN COLA DRIVE SEAL SET KIT TENUTA PIEDE KIT JOINT EMBASE		RETÉN HÉLICE PROPELLER SEAL PARAOILIO ELICA JOINT SPI D'HELICE
10 EFI, 15 EFI, 15EFI SEAPRO	OR832820 +	2	REC98-8M0135821				REC26-161622
20EFI	OR106966 +	3	REC853792T01				REC26-161301
25 EFI	OP153500 -OP400999	3	REC821354A04				REC26-69188 REC26-69189
30 EFI	OR106999 +	3	REC853792T01				REC26-161301
30 EFI	OT409000 - 1B226999	3	REC821354A04				REC26-69188 REC26-69189
30 EFI	1C109093 - 1C456299	3	REC46-812966A12		REC26-814669A2		REC26-69188 REC26-69189
30 EFI	1C456300 +	3	REC46-812966A12		REC26-814669A2		REC26-69188 REC26-69189
40 EFI	OP153500 -OP400999	BEL	REC821354A04				REC26-69188 REC26-69189
40 EFI	OP401000 - OP515896	BEL	REC821354A04 REC46-812966A12		REC26-814669A2		REC26-69188 REC26-69189
40 EFI	OP409000 - 1B226999	USA	REC821354A04				REC26-69188 REC26-69189
40 EFI	1B227000 - 1B355027	USA	REC821354A04 REC46-812966A12		REC26-814669A2		REC26-69188 REC26-69189
40 EFI	1C000001 - 1C043416	3	REC821354A04 REC46-812966A12		REC26-814669A2		REC26-69188 REC26-69189
40 EFI	1C043417 - 1C456299	3	REC46-812966A12		REC26-814669A2		REC26-69188 REC26-69189
40 EFI	1C456300 +	3	REC46-812966A12		REC26-814669A2		REC26-69188 REC26-69189

			CYL	KIT BOMBA PUMP SET KIT POMPA KIT POMPE	KIT RETÉN COLA DRIVE SEAL SET KIT TENUTA PIEDE KIT JOINT EMBASE	RETÉN HÉLICE PROPELLER SEAL PARAOILIO ELICA JOINT SPI D'HELICE
40 EFI	OP153500 - OP400999	BEL	4	REC46-812966A12 REC47-43026Q06	REC26-814669A2 REC26-43035A4	REC26-69188 REC26-69189 REC26-70080 REC26-70081
40 EFI	OP401000 - OP515896	BEL	4	REC46-812966A12 REC47-43026Q06	REC26-814669A2 REC26-43035A4	REC26-69188 REC26-69189 REC26-70080 REC26-70081
40EFI	OP515897 - OP580772	BEL	4	REC46-812966A12 REC47-43026Q06	REC26-814669A2 REC26-43035A4	REC26-69188 REC26-69189 REC26-70080 REC26-70081
40 EFI	OT409000 - 1B355222	USA	4	REC46-812966A12 REC47-43026Q06	REC26-814669A2 REC26-43035A4	REC26-69188 REC26-69189 REC26-70080 REC26-70081
40 EFI	1C000001 - 1C050251	USA	4	REC46-812966A12 REC47-43026Q06	REC26-814669A2 REC26-43035A4	REC26-69188 REC26-69189 REC26-70080 REC26-70081
40 EFI	1C050252 - 1C453839	USA	4	REC46-812966A12 REC47-43026Q06	REC26-814669A2 REC26-43035A4	REC26-69188 REC26-69189 REC26-70080 REC26-70081
40 EFI Et SEAPRO	1C453840 +	USA	4	REC46-812966A12 REC47-43026Q06	REC26-814669A2 REC26-43035A4	REC26-69188 REC26-69189 REC26-70080 REC26-70081
50 EFI	OP153500 - OP400999	BEL	4	REC46-812966A12 REC47-43026Q06	REC26-814669A2 REC26-43035A4	REC26-69188 REC26-69189 REC26-70080 REC26-70081
50 EFI	OP401000 - OP515896	BEL	4	REC46-812966A12 REC47-43026Q06	REC26-814669A2 REC26-43035A4	REC26-69188 REC26-69189 REC26-70080 REC26-70081
50 EFI	OP515897 - OP580772	BEL	4	REC46-812966A12 REC47-43026Q06	REC26-814669A2 REC26-43035A4	REC26-69188 REC26-69189 REC26-70080 REC26-70081
50 EFI	OT409000 - 1B355222	USA	4	REC46-812966A12 REC47-43026Q06	REC26-814669A2 REC26-43035A4	REC26-69188 REC26-69189 REC26-70080 REC26-70081
50 EFI	1C000001 - 1C050251	USA	4	REC46-812966A12 REC47-43026Q06	REC26-814669A2 REC26-43035A4	REC26-69188 REC26-69189 REC26-70080 REC26-70081
50 EFI	1C050252 - 1C453839	USA	4	REC46-812966A12 REC47-43026Q06	REC26-814669A2 REC26-43035A4	REC26-69188 REC26-69189 REC26-70080 REC26-70081
50 EFI	1C453840 +	USA	4	REC46-812966A12 REC47-43026Q06	REC26-814669A2 REC26-43035A4	REC26-69188 REC26-69189 REC26-70080 REC26-70081
60 EFI	OP153500 - OP400999	BEL	4	REC46-812966A12 REC47-43026Q06 REC12094	REC26-814669A2 REC26-43035A4	REC26-69188 REC26-69189 REC26-70080 REC26-70081
60 EFI	OP401000 - OP515896	BEL	4	REC46-812966A12 REC47-43026Q06 REC12094	REC26-814669A2 REC26-43035A4	REC26-69188 REC26-69189 REC26-70080 REC26-70081
60 EFI	OP515897 - OP580772	BEL	4	REC46-812966A12 REC47-43026Q06 REC12094	REC26-814669A2 REC26-43035A4	REC26-69188 REC26-69189 REC26-70080 REC26-70081
60 EFI	OT409000 - 1B355222	USA	4	REC46-812966A12 REC47-43026Q06	REC26-814669A2 REC26-43035A4	REC26-69188 REC26-69189 REC26-70080 REC26-70081
60 EFI	1C000001 - 1C050251	USA	4	REC46-812966A12 REC47-43026Q06	REC26-814669A2 REC26-43035A4	REC26-69188 REC26-69189 REC26-70080 REC26-70081
60 EFI	1C050252 - 1C453839	USA	4	REC46-812966A12 REC47-43026Q06	REC26-814669A2 REC26-43035A4	REC26-69188 REC26-69189 REC26-70080 REC26-70081
60 EFI Et SEAPRO	1C453840 +	USA	4	REC46-812966A12 REC47-43026Q06	REC26-814669A2 REC26-43035A4	REC26-69188 REC26-69189 REC26-70080 REC26-70081
75 EFI	1B172291 - 1B366822	USA	4	REC47-43026Q06	REC26-43035A4	REC26-70080 REC26-70081
75 EFI	1B366823 - 2B094995	USA	4	REC47-43026Q06	REC26-43035A4	REC26-70080 REC26-70081
75 EFI Et SEAPRO	2B095049 +		4	REC46-8M0061040	REC8M0088080 (RR) REC8M0088081 (CR)	REC26-12224 REC26-76868
80 EFI	OP459572 - 2B094995	BEL	4	REC47-43026Q06	REC26-43035A4	REC26-70080 REC26-70081
80 EFI	1B227000 - 1B366822	USA	4	REC47-43026Q06	REC26-43035A4	REC26-70080 REC26-70081
80 EFI	1B366823 - 2B094995	USA	4	REC47-43026Q06	REC26-43035A4	REC26-70080 REC26-70081
80 EFI	2B095049 +		4	REC46-8M0061040	REC8M0088080 (RR) REC8M0088081 (CR)	REC26-76868 REC26-12224
90 EFI	1B172291 - 1B366822	USA	4	REC47-43026Q06	REC26-43035A4	REC26-70080 REC26-70081
90 EFI	1B366823 - 2B094995	USA	4	REC47-43026Q06	REC26-43035A4	REC26-70080 REC26-70081
90 EFI Et SEAPRO	2B095049 +	USA	4	REC46-8M0061040	REC8M0088080 (RR) REC8M0088081 (CR)	REC26-76868 REC26-12224
100 EFI	OP459572 - 2B094995	BEL	4	REC47-43026Q06	REC26-43035A4	REC26-70080 REC26-70081
100 EFI	1B227000 - 1B366822	USA	4	REC47-43026Q06	REC26-43035A4	REC26-70080 REC26-70081
100 EFI	1B366823 - 2B094995	USA	4	REC47-43026Q06	REC26-43035A4	REC26-70080 REC26-70081
100 EFI	2B095049 +	USA	4	REC46-8M0061040	REC8M0088080 (RR) REC8M0088081 (CR)	REC26-76868 REC26-12224
115 EFI	OT178500 - OT800999	USA	4	REC47-43026Q06	REC26-43035A4	REC26-70080 REC26-70081
115 EFI	OT801000 - 1B226999	USA	4	REC47-43026Q06	REC26-43035A4	REC26-70080 REC26-70081
115 EFI	1B227000 - 1B366822	USA	4	REC47-43026Q06	REC26-43035A4	REC26-70080 REC26-70081
115 EFI	1B366823 - 2B094995	USA	4	REC47-43026Q06	REC26-43035A4	REC26-70080 REC26-70081
115 EFI Et SEAPRO (XS)	2B095049 +		4	REC46-8M0061040	REC8M0088080 (RR) REC8M0088081 (CR)	REC26-76868 REC26-12224
135	2B131942 +		4	REC46-8M0061040	REC8M0057716	REC26-76868
135 VERADO	OP419487 - OP464487	BEL	4	REC47-43026Q06	REC26-830749A01	REC26-888483
135 VERADO	OP464488 - OP514868	BEL	4	REC47-43026Q06	REC26-830749A01	REC26-888483
135 VERADO	OP514869 - OP593020	BEL	4	REC47-43026Q06	REC26-830749A01	REC26-888483
135 VERADO	1B227000 - 1B381711	USA	4	REC47-43026Q06	REC26-830749A01	REC26-888483
135 VERADO	1B381712 - 1B517158	USA	4	REC47-43026Q06	REC26-830749A01	REC26-888483
135 VERADO	1B517159 - 2B576734	USA	4	REC47-43026Q06	REC26-830749A01	REC26-888483
150	1B905505 +		4	REC46-8M0061040	REC8M0057716	REC26-76868
150 SEAPRO	2B139139 +		4	REC46-8M0061040	REC8M0057716	REC26-76868
150 Pro XS	2B550139 +		4	REC817275A08		REC26-888483
150 VERADO	OP419487 - OP464487	BEL	4	REC47-43026Q06	REC26-830749A01	REC26-888483
150 VERADO	OP464488 - OP514868	BEL	4	REC47-43026Q06	REC26-830749A01	REC26-888483
150 VERADO	OP514869 - OP593020	BEL	4	REC47-43026Q06	REC26-830749A01	REC26-888483
150 VERADO	1B227000 - 1B381711	USA	4	REC47-43026Q06	REC26-830749A01	REC26-888483
150 VERADO	1B381712 - 1B517158	USA	4	REC47-43026Q06	REC26-830749A01	REC26-888483
150 VERADO	1B517159 - 2B576734	USA	4	REC47-43026Q06	REC26-830749A01	REC26-888483






			CYL	KIT BOMBA PUMP SET KIT POMPA KIT POMPE	KIT RETÉN COLA DRIVE SEAL SET KIT TENUTA PIEDE KIT JOINT EMBASE	RETÉN HÉLICE PROPELLER SEAL PARAOLIO ELICA JOINT SPI D'HELICE
175 VERADO	OP419487 - OP464487	BEL	4	REC47-43026Q06	REC26-830749A01	REC26-888483
175 VERADO	OP464488 - OP514868	BEL	4	REC47-43026Q06	REC26-830749A01	REC26-888483
175 VERADO	OP514869 - OP593020	BEL	4	REC47-43026Q06	REC26-830749A01	REC26-888483
175 VERADO	1B227000 - 1B381711	USA	4	REC47-43026Q06	REC26-830749A01	REC26-888483
175 VERADO	1B381712 - 1B517158	USA	4	REC47-43026Q06	REC26-830749A01	REC26-888483
175 VERADO	1B517159 - 2B576734	USA	4	REC47-43026Q06	REC26-830749A01	REC26-888483
175 (3.4L) V6 Et Pro XS	2B529482 +	USA	6	REC47-8M0142980	REC26-8M0142979	REC26-888483
200 VERADO	OP514869 - OP593020	BEL	4	REC47-43026Q06	REC26-830749A01	REC26-888483
200 VERADO	1B517159 - 2B576734	USA	4	REC47-43026Q06	REC26-830749A01	REC26-888483
200 VERADO	OP409357 - OP464487	BEL	6	REC47-43026Q06	REC26-830749A01	REC26-888483
200 VERADO	OP464488 - OP520552	BEL	6	REC47-43026Q06	REC26-830749A01	REC26-888483
200 VERADO	OP520553 - 2B144122	BEL	6	REC47-43026Q06 REC8M0065072	REC26-830749A01 (4,80) REC8M0065064 (5,44)	REC26-888483
200 VERADO	OT980000 - 1B226999	USA	6	REC47-43026Q06	REC26-830749A01	REC26-888483
200 VERADO	1B227000 - 1B381711	USA	6	REC47-43026Q06	REC26-830749A01	REC26-888483
200 VERADO	1B381712 - 1B517433	USA	6	REC47-43026Q06	REC26-830749A01	REC26-888483
200 VERADO	1B517434 - 2B144122	USA	6	REC47-43026Q06 REC8M0065072	REC26-830749A01 (4,80) REC8M0065064 (5,44)	REC26-888483
200 VERADO	2B144123 - 2B578935	USA	6	REC47-43026Q06 REC8M0065072	REC26-830749A01 (4,80) REC8M0065064 (5,44)	REC26-888483
200 Pro VERADO	2B034840 - 2B144122		6	REC47-43026Q06	REC26-830749A01	REC26-888483
200 Pro VERADO	2B144123 - 2B577715		6	REC47-43026Q06	REC26-830749A01	REC26-888483
200 (3.4L) V6 Et SEAPRO	2B529482 +	USA	6	REC47-8M0142980	REC26-8M0142979	REC26-888483
200 (4.6L) V8 PRO XS	2B529482 +	USA	8	REC47-8M0142980	REC26-8M0142979	REC26-888483
225 EFI	OT653945 +	USA	6	REC6G5-W0078-A1	REC69J-W0001-20-00	REC93101-30M17
225 VERADO	OP409357 - OP464487	BEL	6	REC47-43026Q06	REC26-830749A01	REC26-888483
225 VERADO	OP464488 - OP520552	BEL	6	REC47-43026Q06	REC26-830749A01	REC26-888483
225 VERADO	OP520553 - 2B144122	BEL	6	REC47-43026Q06 REC8M0065072	REC26-830749A01 (4,80) REC8M0065064 (5,44)	REC26-888483
225 VERADO	OT980000 - 1B226999	USA	6	REC47-43026Q06	REC26-830749A01	REC26-888483
225 VERADO	1B227000 - 1B381711	USA	6	REC47-43026Q06	REC26-830749A01	REC26-888483
225 VERADO	1B381712 - 1B517433	USA	6	REC47-43026Q06	REC26-830749A01	REC26-888483
225 VERADO	1B517434 - 2B144122	USA	6	REC47-43026Q06 REC8M0065072	REC26-830749A01 (4,80) REC8M0065064 (5,44)	REC26-888483
225 VERADO	2B144123 - 2B578935	USA	6	REC47-43026Q06 REC8M0065072	REC26-830749A01 (4,80) REC8M0065064 (5,44)	REC26-888483
225 (3.4L) V6 Et SEAPRO	2B529482 +	USA	6	REC47-8M0142980	REC26-8M0142979	REC26-888483
225 (4.6L) V8 PRO XS	2B529482 +	USA	8	REC47-8M0142980	REC26-8M0142979	REC26-888483
250 VERADO	OP409357 - OP464487	BEL	6	REC47-43026Q06	REC26-830749A01	REC26-888483
250 VERADO	OP464488 - OP520552	BEL	6	REC47-43026Q06	REC26-830749A01	REC26-888483
250 VERADO	OP520553 - 2B144122	BEL	6	REC47-43026Q06 REC8M0065072	REC26-830749A01 (4,80) REC8M0065064 (5,44)	REC26-888483
250 VERADO	OT980000 - 1B226999	USA	6	REC47-43026Q06	REC26-830749A01	REC26-888483
250 VERADO	1B227000 - 1B381711	USA	6	REC47-43026Q06	REC26-830749A01	REC26-888483
250 VERADO	1B381712 - 1B517433	USA	6	REC47-43026Q06	REC26-830749A01	REC26-888483
250 VERADO	1B517434 - 2B144122	USA	6	REC47-43026Q06 REC8M0065072	REC26-830749A01 (4,80) REC8M0065064 (5,44)	REC26-888483
250 VERADO	2B144123 - 2B578935	USA	6	REC47-43026Q06 REC8M0065072	REC26-830749A01 (4,80) REC8M0065064 (5,44)	REC26-888483
250 PRO VERADO	1B830170 - 2B144122		6	REC47-43026Q06	REC26-830749A01	REC26-888483
250 PRO VERADO	2B144123 - 2B577715	USA	6	REC47-43026Q06	REC26-830749A01	REC26-888483
250 (4.6L) V8, VERADO, SEAPRO Et PRO XS	2B529482 +	USA	8	REC47-8M0142980	REC26-8M0142979	REC26-888483
250 (4.6L) V8 RACING	1E080500+	USA	8	REC47-8M0142980	REC26-8M0142979	REC26-888483
275 VERADO	OP409357 - OP464487	BEL	6	REC47-43026Q06	REC26-830749A01	REC26-888483
275 VERADO	OP464488 - OP520552	BEL	6	REC47-43026Q06	REC26-830749A01	REC26-888483
275 VERADO	OP520553 - 2B144122	BEL	6	REC47-43026Q06 REC8M0065072	REC26-830749A01 (4,80) REC8M0065064 (5,44)	REC26-888483
275 VERADO	OT980000 - 1B226999	USA	6	REC47-43026Q06	REC26-830749A01	REC26-888483
275 VERADO	1B227000 - 1B381711	USA	6	REC47-43026Q06	REC26-830749A01	REC26-888483
275 VERADO	1B381712 - 1B517433	USA	6	REC47-43026Q06	REC26-830749A01	REC26-888483
275 VERADO	1B517434 - 2B144122	USA	6	REC47-43026Q06 REC8M0065072	REC26-830749A01 (4,80) REC8M0065064 (5,44)	REC26-888483
275 VERADO	2B144123 - 2B578935	USA	6	REC47-43026Q06 REC8M0065072	REC26-830749A01 (4,80) REC8M0065064 (5,44)	REC26-888483
300 VERADO	OP520553 - 2B144122	BEL	6	REC47-43026Q06 REC8M0065072	REC26-830749A01 (4,80) REC8M0065064 (5,44)	REC26-888483
300 VERADO	1B517434 - 2B144122	USA	6	REC47-43026Q06 REC8M0065072	REC26-830749A01 (4,80) REC8M0065064 (5,44)	REC26-888483
300 VERADO	2B144123 - 2B578935	USA	6	REC47-43026Q06 REC8M0065072	REC26-830749A01 (4,80) REC8M0065064 (5,44)	REC26-888483
300 PRO VERADO	1B830170 - 2B144122		6	REC47-43026Q06	REC26-830749A01	REC26-888483
300 PRO VERADO	2B144123 - 2B577715	USA	6	REC47-43026Q06	REC26-830749A01	REC26-888483
300 (4.6L) V8, VERADO, SEAPRO Et PRO XS	2B529482 +	USA	8	REC47-8M0142980	REC26-8M0142979	REC26-888483
300 (4.6L) V8 RACING	1E080500+	USA	8	REC47-8M0142980	REC26-8M0142979	REC26-888483
350SCI VERADO	1B716557 - 2B143542		6	REC47-43026Q06		REC26-888483
350 2.6L L6 VERADO	2B141617 +	USA	6	REC8M0065072	REC8M0065064	REC26-888483
350 2.6L L6 PRO VERADO	2B141124 +	USA	6	REC8M0065072	REC8M0065064	REC26-888483
400 2.6L L6 VERADO	2B618256 +	USA	6	REC8M0065072	REC8M0065064	REC26-888483
400R 2.6L L6 RACING	2B141124 +	USA	6	REC8M0065072	REC8M0065064	REC26-888483
450 4.6L V8 RACING	2B529482 +	USA	8	REC47-8M0142980	REC8M0065064	REC26-888483






2 T/STROKES		KIT		KIT SUPERIOR UPPER KIT KIT SUPERIORE KIT SUPERIEUR		KIT		KIT		KIT		
3.5	1983-85	6202173									REC47-89980	REC70977T
3.6	1980-82 USA	5404657									REC47-89980	REC70977T
3.6	1980-82 BEL	9252831									REC47-89980	REC70977T
3.6	1980-82 CAN	7145388									REC47-89980	REC70977T
3.9 (14)	1964-71	1655013-2200317									REC47-22748	
3.9 (14)	1964-71	2200318-2498135									REC47-22748	
	1982-86 USA	5595532-0A809600									REC47-89980	REC47-89980T1 REC93224A1 REC70977T REC46895
4 (1 cyl)	1982-86 AUS	8068065									REC47-89980	REC47-89980T1 REC93224A1 REC70977T REC46895
.438" Ø Int.	1982-86 BEL	9258281-9477829									REC47-89980	REC47-89980T1 REC93224A1 REC70977T REC46895
	1982-86 CAN	7143688									REC47-89980	REC47-89980T1 REC93224A1 REC70977T REC46895
4 (1 cyl)	1982-86 USA	5595532	REC46-70941A3		REC46-70941T01		REC47-89981	REC47-89981Q1	REC93224A1	REC70977T	REC46895	
	1982-86 AUS	8068065	REC46-70941A3		REC46-70941T01		REC47-89981	REC47-89981Q1	REC93224A1	REC70977T	REC46895	
.456" Ø Int.	1982-86 BEL	9258281	REC46-70941A3		REC46-70941T01		REC47-89981	REC47-89981Q1	REC93224A1	REC70977T	REC46895	
	1982-86 CAN	7143688	REC46-70941A3		REC46-70941T01		REC47-89981	REC47-89981Q1	REC93224A1	REC70977T	REC46895	
40/4 (2 cyl) GNAT	1976-79 BEL	9075839-9256980					REC47-89980				REC47-89980	REC70977T
.438" Ø Int.	1976-79 CAN	7085673-7146487					REC47-89980				REC47-89980	REC70977T
40/4 (2 cyl)	1976-79 BEL	9075839-9256980					REC47-89981				REC47-89981	REC70977T
.456" Ø Int.	1976-79 CAN	7085673-7146487					REC47-89981				REC47-89981	REC70977T
40/4 (2 cyl)	1980-81 USA	5589202					REC47-89980				REC47-89980	REC70977T
40/4 (2 cyl)	1980-81 AUS	8065265					REC47-89980				REC47-89980	REC70977T
40/4 (2 cyl)	1980-81 BEL	9256981					REC47-89980				REC47-89980	REC70977T
40/4 (2 cyl)	1980-81 CAN	7146488					REC47-89980				REC47-89980	REC70977T
45/4.5 (1 cyl)	1975-79 USA	4107220-5595531	REC46-70941A3		REC46-70941T01		REC47-89981	REC47-89981Q1	REC93224A1	REC70977T	REC46895	
45/4.5 (1 cyl)	1975-79 AUS	8026540-8068064	REC46-70941A3		REC46-70941T01		REC47-89981	REC47-89981Q1	REC93224A1	REC70977T	REC46895	
45/4.5 (1 cyl)	1975-79 BEL	9072179-9258280	REC46-70941A3		REC46-70941T01		REC47-89981	REC47-89981Q1	REC93224A1	REC70977T	REC46895	
45/4.5 (1 cyl)	1975-79 CAN	7045758-7147237	REC46-70941A3		REC46-70941T01		REC47-89981	REC47-89981Q1	REC93224A1	REC70977T	REC46895	
	1980-85 USA	5595532					REC47-89980	REC47-89980T1	REC93224A1	REC70977T	REC46895	
45/4.5 (1 cyl)	1980-85 AUS	8068065					REC47-89980	REC47-89980T1	REC93224A1	REC70977T	REC46895	
.438" Ø Int.	1980-85 BEL	9258281					REC47-89980	REC47-89980T1	REC93224A1	REC70977T	REC46895	
	1980-85 CAN	7147238					REC47-89980	REC47-89980T1	REC93224A1	REC70977T	REC46895	
	1980-85 USA	5595532	REC46-70941A3		REC46-70941T01		REC47-89981	REC47-89981Q1	REC93224A1	REC70977T	REC46895	
45/4.5 (1 cyl)	1980-85 AUS	8068065	REC46-70941A3		REC46-70941T01		REC47-89981	REC47-89981Q1	REC93224A1	REC70977T	REC46895	
.456" Ø Int.	1980-85 BEL	9258281	REC46-70941A3		REC46-70941T01		REC47-89981	REC47-89981Q1	REC93224A1	REC70977T	REC46895	
	1980-85 CAN	7147238	REC46-70941A3		REC46-70941T01		REC47-89981	REC47-89981Q1	REC93224A1	REC70977T	REC46895	
60 (6 HP)	1963-65	1408611-1490054					REC47-22748					
60 (6 HP)	1963-65	1490055-1582402					REC47-22748					
60 (6 HP) (12)	1963-65	1582403-1916138					REC47-22748					
60 (6 HP) (12)	1966-68	1916139-2193817					REC47-89981					
60 (6 HP)	1966-68	2193818-2529894					REC47-89981		REC93224A1	REC70977T	REC46895	
60J (6 HP)	1967-68	2385673-2387383					REC47-89981					
6	1986-93 USA	0A197112-07800749	REC46-42089A5		REC46-42040T5		REC47-420382	REC47-42038Q3	REC46-42089A2		REC42200	
6	1986-93 BEL	9461526	REC46-42089A5		REC46-42040T5		REC47-420382	REC47-42038Q3	REC46-42089A2		REC42200	
75 (7.5 HP)	1969-77 USA	2529895-4131609					REC47-89981		REC93224A1	REC70977T	REC46895	
75 (7.5 HP)	1974-77 AUS	8015315-8028839					REC47-89981		REC93224A1	REC70977T	REC46895	
75 (7.5 HP)	1974-77 BEL	9043194-9079488					REC47-89981		REC93224A1	REC70977T	REC46895	
75 (7.5 HP)	1974-77 CAN	7028598-7050207					REC47-89981		REC93224A1	REC70977T	REC46895	
75 (7.5 HP)	1974-78 USA	4131610-5226934	REC46-70941A3		REC46-70941T01		REC47-89981	REC47-89981Q1	REC93224A1	REC70977T	REC46895	
75 (7.5 HP)	1974-77 AUS	8028840-8058019	REC46-70941A3		REC46-70941T01		REC47-89981	REC47-89981Q1	REC93224A1	REC70977T	REC46895	
75 (7.5 HP)	1974-78 BEL	9079489-9219255	REC46-70941A3		REC46-70941T01		REC47-89981	REC47-89981Q1	REC93224A1	REC70977T	REC46895	
75 (7.5 HP)	1974-78 CAN	7050206-7136037	REC46-70941A3		REC46-70941T01		REC47-89981	REC47-89981Q1	REC93224A1	REC70977T	REC46895	
	1979-86 USA	5206550					REC47-89980	REC47-89980T1	REC93224A1	REC70977T	REC46895	
7.5 HP	1979-86 AUS	8057545					REC47-89980	REC47-89980T1	REC93224A1	REC70977T	REC46895	
.438" Ø Int.	1979-86 BEL	9217756					REC47-89980	REC47-89980T1	REC93224A1	REC70977T	REC46895	
	1979-86 CAN	7125388					REC47-89980	REC47-89980T1	REC93224A1	REC70977T	REC46895	
	1979-86 USA	5206550	REC46-70941A3		REC46-70941T01		REC47-89981	REC47-89981Q1	REC93224A1	REC70977T	REC46895	
7.5 HP	1979-86 AUS	8057545	REC46-70941A3		REC46-70941T01		REC47-89981	REC47-89981Q1	REC93224A1	REC70977T	REC46895	
.456" Ø Int.	1979-86 BEL	9217756	REC46-70941A3		REC46-70941T01		REC47-89981	REC47-89981Q1	REC93224A1	REC70977T	REC46895	
	1979-86 CAN	7125388	REC46-70941A3		REC46-70941T01		REC47-89981	REC47-89981Q1	REC93224A1	REC70977T	REC46895	
8	1986-93 USA	0A197112 +	REC46-42089A5		REC46-42040T5		REC47-420382	REC47-42038Q3	REC46-42089A2		REC42200	
8	1986-93 BEL	9461526	REC46-42089A5		REC46-42040T5		REC47-420382	REC47-42038Q3	REC46-42089A2		REC42200	
110 (9.8 HP) (13)	1966-69	1865779-2196388					REC47-89981					
110 (9.8 HP)	1970-73	2196389-3795657					REC47-89981		REC93224A1	REC70977T	REC46895	
110 (9.8 HP)	1974-77 USA	3795658-4126459					REC47-89981		REC46-42089A2	REC70977T	REC46895	
110 (9.8 HP)	1974-77 AUS	8015040-8028439					REC47-89981		REC46-42089A2	REC70977T	REC46895	
110 (9.8 HP)	1974-77 BEL	9041439-9078138					REC47-89981		REC46-42089A2	REC70977T	REC46895	
110 (9.8 HP)	1974-77 CAN	7027323-7049107					REC47-89981		REC46-42089A2	REC70977T	REC46895	
110 (9.8 HP)	1974-78 USA	4126460-5206549	REC46-70941A3		REC46-70941T01		REC47-89981	REC47-89981Q1	REC93224A1	REC70977T	REC46895	
110 (9.8 HP)	1974-78 AUS	8028440-8057554	REC46-70941A3		REC46-70941T01		REC47-89981	REC47-89981Q1	REC93224A1	REC70977T	REC46895	
110 (9.8 HP)	1974-78 BEL	9078139-9217755	REC46-70941A3		REC46-70941T01		REC47-89981	REC47-89981Q1	REC93224A1	REC70977T	REC46895	
110 (9.8 HP)	1974-78 CAN	7049108-7125387	REC46-70941A3		REC46-70941T01		REC47-89981	REC47-89981Q1	REC93224A1	REC70977T	REC46895	
	1979-85 USA	5206550					REC47-89980	REC47-89980T1	REC93224A1	REC70977T	REC46895	
9.8 HP	1979-85 AUS	8057545					REC47-89980	REC47-89980T1	REC93224A1	REC70977T	REC46895	
.438" Ø Int.	1979-85 BEL	9217756					REC47-89980	REC47-89980T1	REC93224A1	REC70977T	REC46895	
	1979-85 CAN	7125388					REC47-89980	REC47-89980T1	REC93224A1	REC70977T	REC46895	
	1979-85 USA	5206550	REC46-70941A3		REC46-70941T01		REC47-89981	REC47-89981Q1	REC93224A1	REC70977T	REC46895	
9.8 HP	1979-85 AUS	8057545	REC46-70941A3		REC46-70941T01		REC47-89981	REC47-89981Q1	REC93224A1	REC70977T	REC46895	
.456" Ø Int.	1979-85 BEL	9217756	REC46-70941A3		REC46-70941T01		REC47-89981	REC47-89981Q1	REC93224A1	REC70977T	REC46895	
	1979-85 CAN	7125388	REC46-70941A3		REC46-70941T01		REC47-89981	REC47-89981Q1	REC93224A1	REC70977T	REC46895	
9.9	1986-98 USA	0A197112 +	REC46-42089A5		REC46-42040T5		REC47-420382	REC47-42038Q3	REC46-42089A2		REC42200	

				KIT	KIT SUPERIOR UPPER KIT KIT SUPERIORE KIT SUPERIEUR			KIT				
9.9		1986-93	BEL	9461526	REC46-42089A5	REC46-42040T5	REC47-420382	REC47-42038Q3	REC46-42089A2		REC42200	
XR10, Sea Pro, 10		1990-98	USA	0D038000 +	REC46-42089A5	REC46-42040T5	REC47-420382	REC47-42038Q3	REC46-42089A2		REC42200	
Mag. Et Marat		1990-98	BEL	9596000	REC46-42089A5	REC46-42040T5	REC47-420382	REC47-42038Q3	REC46-42089A2		REC42200	
XR10, Sea Pro, 10		1988-98	USA	0B292414 +	REC46-42089A5	REC46-42040T5	REC47-420382	REC47-42038Q3	REC46-42089A2		REC42200	
Mag. Et Mara		1988-93	BEL	9542620	REC46-42089A5	REC46-42040T5	REC47-420382	REC47-42038Q3	REC46-42089A2		REC42200	
15		1994-98	USA	0G044365 +	REC46-42089A5	REC46-42040T5	REC47-420382	REC47-42038Q3	REC46-42089A2		REC42200	
15 Sea Pro Et		1997-98	BEL	9927000	REC46-42089A5	REC46-42040T5	REC47-420382	REC47-42038Q3	REC46-42089A2		REC42200	
Marathon		1997-98	BEL	9927000	REC46-42089A5	REC46-42040T5	REC47-420382	REC47-42038Q3	REC46-42089A2		REC42200	
15 Sea Pro Et		1997-98	BEL	9927000	REC46-42089A5	REC46-42040T5	REC47-420382	REC47-42038Q3	REC46-42089A2		REC42200	
Marathon		1997-98	BEL	9927000	REC46-42089A5	REC46-42040T5	REC47-420382	REC47-42038Q3	REC46-42089A2		REC42200	
15 XD, Big Foot		1980-85	USA	5837437	REC46-99157T2		REC47-8508910	REC47-85089Q4	REC46-99157T2		REC85083	
18, 18XD		1980-83	AUS	8071973	REC46-99157T2		REC47-8508910	REC47-85089Q4	REC46-99157T2		REC85083	
18, 18XD		1980-85	BEL	9308306	REC46-99157T2		REC47-8508910	REC47-85089Q4	REC46-99157T2		REC85083	
200 (20 HP)		1966-67		1866496-2296266							REC46-96146A6	
200 (20 HP) (2)		1968-69		2296267-2827676							REC46-96146A6	
200 (20 HP) (4)		1968-69		2296267-2827676							REC46-96146A6	
200 (20 HP)		1970-81	USA	2827677-6443972			REC47-89982	REC47-89982T1			REC46-96146A6	
200 (20 HP)		1973-81	AUS	8006265			REC47-89982	REC47-89982T1			REC46-96146A6	
200 (20 HP)		1973-81	BEL	9016254-9415100			REC47-89982	REC47-89982T1			REC46-96146A6	
200 (20 HP)		1973-81	CAN	7012358-7209532			REC47-89982	REC47-89982T1			REC46-96146A6	
20, 20XD		1986-87	USA	6443973-07800749	REC46-99157T2		REC47-8508910	REC47-85089Q4	REC46-99157T2		REC85083	
20, 20XD		1986-87	BEL	9415101	REC46-99157T2		REC47-8508910	REC47-85089Q4	REC46-99157T2		REC85083	
20, 20XD		1986-87	CAN	7209533	REC46-99157T2		REC47-8508910	REC47-85089Q4	REC46-99157T2		REC85083	
25, 25XD		1980-87	USA	5705532	REC46-99157T2		REC47-8508910	REC47-85089Q4	REC46-99157T2		REC85083	
25, 25XD		1980-83	AUS	8073158	REC46-99157T2		REC47-8508910	REC47-85089Q4	REC46-99157T2		REC85083	
25 Sea Pro, Mara.,		1988-98	USA	0B238464 +	REC46-99157T2		REC47-8508910	REC47-85089Q4	REC46-99157T2		REC85083	
Super 15		1988-94	BEL	9507381	REC46-99157T2		REC47-8508910	REC47-85089Q4	REC46-99157T2		REC85083	
25 Sea Pro, Mara.,		1988-94	CAN	0A730007 +	REC46-99157T2		REC47-8508910	REC47-85089Q4	REC46-99157T2		REC85083	
Super 15		1997	USA	0,00E+00	REC46-99157T2		REC47-8508910	REC47-85089Q4	REC46-99157T2		REC85083	
25 (3 cyl)		1959-61		1271884-1448139			REC47-89983T					
300 (30 HP)		1994-98	USA	0G053314-0T598999		REC46-821307A2	REC47-8508910	REC821354A2			REC8213542	
30 (2 cyl) (644cc)		1994-97	USA	0C159200-0G58999	REC46-77177A3	REC46-60366T1	REC46-77177A1	REC47-89983T	REC47-89983Q1	REC46-77822A1	REC48753	REC32768
30 Jet		1998	USA	0G590000 +			REC47-8508910	REC821354A2			REC8213542	
30 Jet		1963-65		157114-1960826			REC47-89983T					
350 (35 HP)		1966-69		1960827-2453068	REC46-60366T1		REC47-89983T		REC46-77822A1	REC48753	REC32768	
35 (2 cyl)		1984-89	USA	6445653	REC46-77177A3	REC46-60366T1	REC46-77177A1	REC47-89983T	REC47-89983Q1	REC46-77822A1	REC48753	REC32768
35 (2 cyl)		1984-86	BEL	9384476	REC46-77177A3	REC46-60366T1	REC46-77177A1	REC47-89983T	REC47-89983Q1	REC46-77822A1	REC48753	REC32768
35 (2 cyl)		1984-86	USA	7209608	REC46-77177A3	REC46-60366T1	REC46-77177A1	REC47-89983T	REC47-89983Q1	REC46-77822A1	REC48753	REC32768
400 (40 HP)		1960-61		1279685-1476509			REC47-89983T					
400, 402 (40 HP)		1970-77	USA	2874704-4362214	REC46-60366T1		REC47-89983T	REC47-89983Q1	REC46-77822A1	REC48753	REC32768	
400, 402 (40 HP)		1970-77	AUS	8002335-8036449	REC46-60366T1		REC47-89983T	REC47-89983Q1	REC46-77822A1	REC48753	REC32768	
400, 402 (40 HP)		1970-77	BEL	3339688-9108563	REC46-60366T1		REC47-89983T	REC47-89983Q1	REC46-77822A1	REC48753	REC32768	
400, 402 (40 HP)		1970-77	CAN	3340783-7070272	REC46-60366T1		REC47-89983T	REC47-89983Q1	REC46-77822A1	REC48753	REC32768	
402 (40 HP)		1975-77	USA	4362215-4860102	REC46-60366T1	REC46-73640A1	REC47-89983T	REC47-89983Q1	REC46-77822A1	REC48753	REC32768	
402 (40 HP)		1975-77	AUS	8036450-8052124	REC46-60366T1	REC46-73640A1	REC47-89983T	REC47-89983Q1	REC46-77822A1	REC48753	REC32768	
402 (40 HP)		1975-77	BEL	9108564-9184450	REC46-60366T1	REC46-73640A1	REC47-89983T	REC47-89983Q1	REC46-77822A1	REC48753	REC32768	
402 (40 HP)		1975-77	CAN	7070273-7112422	REC46-60366T1	REC46-73640A1	REC47-89983T	REC47-89983Q1	REC46-77822A1	REC48753	REC32768	
402, 40 (2 cyl) 1983 +		1978-83	USA	4860103	REC46-77177A3	REC46-60366T1	REC46-77177A1	REC47-89983T	REC47-89983Q1	REC46-77822A1	REC48753	REC32768
402, 40 (2 cyl) 1983 +		1978-83	AUS	8052125	REC46-77177A3	REC46-60366T1	REC46-77177A1	REC47-89983T	REC47-89983Q1	REC46-77822A1	REC48753	REC32768
402, 40 (2 cyl) 1983 +		1978-83	BEL	9184451	REC46-77177A3	REC46-60366T1	REC46-77177A1	REC47-89983T	REC47-89983Q1	REC46-77822A1	REC48753	REC32768
402, 40 (2 cyl) 1983 +		1978-83	CAN	7112423	REC46-77177A3	REC46-60366T1	REC46-77177A1	REC47-89983T	REC47-89983Q1	REC46-77822A1	REC48753	REC32768
40 (2 cyl) (644cc)		1994-98	USA	0G053314 +		REC46-821307A2	REC47-8508910	REC821354A2			REC8213542	
1994 +		1997-98	USA	0G531301 +		REC46-821307A2	REC47-8508910	REC821354A2			REC8213542	
40 (3 cyl)		1997-98	BEL	9973100		REC46-821307A2	REC47-8508910	REC821354A2			REC8213542	
40 (4 cyl)		1989	USA	0C159200 +	REC46-77177A3	REC46-60366T1	REC46-77177A1	REC47-89983T	REC47-89983Q1	REC46-77822A1	REC48753	REC32768
40 (4 cyl)		1989	BEL	9570790	REC46-77177A3	REC46-60366T1	REC46-77177A1	REC47-89983T	REC47-89983Q1	REC46-77822A1	REC48753	REC32768
45 Jet		1994-95	USA	0D000750 +	REC46-812966A12		REC47-19453T	REC47-19453QZ	REC14334A3		REC19700A2	
45 (4 cyl)		1986	USA	5531630	REC46-77177A3	REC46-60366T1	REC46-77177A1	REC47-89983T	REC47-89983Q1	REC46-77822A1	REC48753	REC32768
45 (4 cyl)		1986	AUS	8063985	REC46-77177A3	REC46-60366T1	REC46-77177A1	REC47-89983T	REC47-89983Q1	REC46-77822A1	REC48753	REC32768
45 (4 cyl)		1986	BEL	9248006	REC46-77177A3	REC46-60366T1	REC46-77177A1	REC47-89983T	REC47-89983Q1	REC46-77822A1	REC48753	REC32768
45 (4 cyl)		1986	CAN	743688	REC46-77177A3	REC46-60366T1	REC46-77177A1	REC47-89983T	REC47-89983Q1	REC46-77822A1	REC48753	REC32768
500 (50 HP)		1961-64		1421113-1460498			REC47-89983T					
500 (50 HP)		1961-64		1477910-1521913			REC47-89983T					
500 (50 HP)		1961-67	USA	1521914-2305100			REC47-89983T				REC32768	
500 (50 HP)		1965-67	CAN	1755549-2305100			REC47-89983T				REC32768	
500 (50 HP) (2)		1968-70	USA	2305101-2478119			REC47-89983T				REC32768	
500 (50 HP) (4)		1968-70	USA	2305101-2478119	REC46-60366T1		REC47-89983T	REC47-89983Q1	REC46-77822A1	REC48753	REC32768	
500 (50 HP) (2)		1971-74	CAN	2305101-2308830			REC47-89983T				REC32768	
500 (50 HP) (4)		1971-74	CAN	2305101-2308830	REC46-60366T1		REC47-89983T	REC47-89983Q1	REC46-77822A1	REC48753	REC32768	
500 (50 HP)		1971-75	USA	2514919-4357639	REC46-60366T1		REC47-89983T	REC47-89983Q1	REC46-77822A1	REC48753	REC32768	
500 (50 HP)		1971-75	AUS	2863739-8030089	REC46-60366T1		REC47-89983T	REC47-89983Q1	REC46-77822A1	REC48753	REC32768	
500 (50 HP)		1971-75	BEL	9001581-9107213	REC46-60366T1		REC47-89983T	REC47-89983Q1	REC46-77822A1	REC48753	REC32768	
500 (50 HP)		1971-75	CAN	2519919-7068997	REC46-60366T1		REC47-89983T	REC47-89983Q1	REC46-77822A1	REC48753	REC32768	
500, 50 HP (4 cyl)		1976-79	USA	4357640-5531629	REC46-73640A2	REC46-60366T1	REC46-73640A1	REC47-89983T	REC47-89983Q1	REC46-77822A1	REC48753	REC32768
500, 50 HP (4 cyl)		1976-79	AUS	8030090-8063984	REC46-73640A2	REC46-60366T1	REC46-73640A1	REC47-89983T	REC47-89983Q1	REC46-77822A1	REC48753	REC32768
500, 50 HP (4 cyl)		1976-79	BEL	9107214-9248005	REC46-73640A2	REC46-60366T1	REC46-73640A1	REC47-89983T	REC47-89983Q1	REC46-77822A1	REC48753	REC32768
500, 50 HP (4 cyl)		1976-79	CAN	7068998-7143687	REC46-73640A2	REC46-60366T1	REC46-73640A1	REC47-89983T	REC47-89983Q1	REC46-77822A1	REC48753	REC32768
50 HP (4 cyl)		1980-85	USA	5531630	REC46-77177A3	REC46-60366T1	REC46-77177A1	REC47-89983T	REC47-89983Q1	REC46-77822A1	REC48753	REC32768



MERCURY

RECAMBIOS
MARINOS

				KIT	KIT SUPERIOR UPPER KIT KIT SUPERIORE KIT SUPERIEUR			KIT			
50 HP (4 cyl)	1980-85	AUS	8063985	REC46-77177A3	REC46-60366T1	REC46-77177A1	REC47-89983T	REC47-89983Q1	REC46-77822A1	REC48753	REC32768
50 HP (4 cyl)	1980-85	BEL	9248006	REC46-77177A3	REC46-60366T1	REC46-77177A1	REC47-89983T	REC47-89983Q1	REC46-77822A1	REC48753	REC32768
50 HP (4 cyl)	1980-85	CAN	7143688	REC46-77177A3	REC46-60366T1	REC46-77177A1	REC47-89983T	REC47-89983Q1	REC46-77822A1	REC48753	REC32768
50 HP (3 cyl)	1986-87	USA	6428681-0D000749	REC46-77177A3	REC46-60366T1	REC46-77177A1	REC47-89983T	REC47-89983Q1	REC46-77822A1	REC48753	REC32768
50 HP (3 cyl)	1986-87	BEL	9385911-9683054	REC46-77177A3	REC46-60366T1	REC46-77177A1	REC47-89983T	REC47-89983Q1	REC46-77822A1	REC48753	REC32768
50 HP (3 cyl)	1986-87	CAN	7208333	REC46-77177A3	REC46-60366T1	REC46-77177A1	REC47-89983T	REC47-89983Q1	REC46-77822A1	REC48753	REC32768
50 HP (3 cyl)	1991-97	USA	0D000750-0G58999	REC46-812966A12	REC46-812966A7	REC46-812966A7	REC47-19453T	REC47-19453QZ	REC14334A3		REC19700A2
50 HP (3 cyl)	1991-97	BEL	9683055-9973099	REC46-812966A12	REC46-812966A7	REC46-812966A7	REC47-19453T	REC47-19453QZ	REC14334A3		REC19700A2
50 HP (3 cyl)	1998	USA	0G590000 +		REC46-821307A2	REC47-8508910	REC47-8508910	REC821354A2			REC8213542
50 HP (3 cyl)	1998	BEL	9973100		REC46-821307A2	REC47-8508910	REC47-8508910	REC821354A2			REC8213542
55 HP (3 cyl)	1996-97	USA	0D000750 +	REC46-812966A12	REC46-812966A7	REC46-812966A7	REC47-19453T	REC47-19453QZ	REC14334A3		REC19700A2
55 HP (3 cyl)	1996-97	BEL	9741042	REC46-812966A12	REC46-812966A7	REC46-812966A7	REC47-19453T	REC47-19453QZ	REC14334A3		REC19700A2
60 HP (3 cyl)	1984-87	USA	6428681-0D000749	REC46-77177A3	REC46-60366T1	REC46-77177A1	REC47-89983T	REC47-89983Q1	REC46-77822A1	REC48753	REC32768
60 HP (3 cyl)	1984-87	BEL	9385911-9683054	REC46-77177A3	REC46-60366T1	REC46-77177A1	REC47-89983T	REC47-89983Q1	REC46-77822A1	REC48753	REC32768
60 HP (3 cyl)	1984-87	CAN	7208333	REC46-77177A3	REC46-60366T1	REC46-77177A1	REC47-89983T	REC47-89983Q1	REC46-77822A1	REC48753	REC32768
60 HP (3 cyl) Standard	1991-95	USA	0D000750 +	REC46-812966A12	REC46-812966A7	REC46-812966A7	REC47-19453T	REC47-19453QZ	REC14334A3		REC19700A2
60 HP (3 cyl) Standard	1991-95	BEL	9683055	REC46-812966A12	REC46-812966A7	REC46-812966A7	REC47-19453T	REC47-19453QZ	REC14334A3		REC19700A2
60 HP (3 cyl) Bigfoot	1991-95	USA	0D000750 +	REC12094	REC43055A4	REC43055A4	REC47-43026Q02	REC47-43026Q06	REC817275A2		REC8172761
60 HP (3 cyl) Bigfoot	1991-95	BEL	9683055	REC12094	REC43055A4	REC43055A4	REC47-43026Q02	REC47-43026Q06	REC817275A2		REC8172761
650 (65 HP) (4 cyl) (2)	1963-69		1542745-2803561		REC46-96148A8		REC47-89984T4	REC47-89984Q5	REC46-96148T1		REC324351
650 (65 HP) (4 cyl) (4)	1963-69		1542745-2803561		REC46-96148A8		REC47-89984T4	REC47-89984Q5	REC46-96148T1	REC48752T	REC324351
650 (65 HP) (4 cyl)	1970-72		2803562-2874263		REC46-96148A8		REC47-89984T4	REC47-89984Q5	REC46-96148T1	REC48752T	REC324351
650 (65 HP) (4 cyl)	1970-72		2997439-3293183		REC46-96148A8		REC47-89984T4	REC47-89984Q5	REC46-96148T1	REC48752T	REC324351
65 HP (3 cyl)	1972-75	USA	3293184-4382056		REC46-60366T1		REC47-89983T		REC46-77822A1	REC48753	REC32768
65 HP (3 cyl)	1973-75	AUS	8006640-8042349		REC46-60366T1		REC47-89983T		REC46-77822A1	REC48753	REC32768
65 HP (3 cyl)	1973-75	BEL	9020074-9112988		REC46-60366T1		REC47-89983T		REC46-77822A1	REC48753	REC32768
65 HP (3 cyl)	1973-75	CAN	7013633-7073472		REC46-60366T1		REC47-89983T		REC46-77822A1	REC48753	REC32768
65 HP (3 cyl)	1976	USA	4382057-4571651		REC46-60366T1	REC46-73640A1	REC47-89983T		REC46-77822A1	REC48753	REC32768
65 HP (3 cyl)	1976	BEL	9112989-9135824		REC46-60366T1	REC46-73640A1	REC47-89983T		REC46-77822A1	REC48753	REC32768
65 HP (3 cyl)	1976	CAN	7073473-7087822		REC46-60366T1	REC46-73640A1	REC47-89983T		REC46-77822A1	REC48753	REC32768
65 Jet	1994-98	USA	0D283222 +	REC12094		REC43055A4	REC47-43026Q02	REC47-43026Q06	REC817275A2		REC8172761
65 Jet	1994-98	BEL	9793577	REC12094		REC43055A4	REC47-43026Q02	REC47-43026Q06	REC817275A2		REC8172761
700 (70 HP) (6 cyl)	1961		1413611-1436114				REC47-89984T4				REC324351
700 (70 HP) (6 cyl)	1961		1482212-1503458				REC47-89984T4				REC324351
700 E-2 (70 HP) (6 cyl)	1961		1503459-1503958				REC47-89984T4				REC324351
700 EL-2 (70 HP) (6 cyl)	1961		1503459-1505110				REC47-89984T4				REC324351
700 E-2 (70 HP) (6 cyl) (11)	1961		1503959-1566239		REC46-96148A8		REC47-89984T4	REC47-89984Q5	REC46-96148T1		REC324351
700 EL-2 (70 HP) (6 cyl) (11)	1961		1505111-1566239		REC46-96148A8		REC47-89984T4	REC47-89984Q5	REC46-96148T1		REC324351
70 HP (3 cyl)	1977-79	USA	4571652-4977156	REC46-73640A2	REC46-60366T1	REC46-73640A1	REC47-89983T		REC46-77822A1	REC48753	REC32768
70 HP (3 cyl)	1977-79	AUS	8042350-8050199	REC46-73640A2	REC46-60366T1	REC46-73640A1	REC47-89983T		REC46-77822A1	REC48753	REC32768
70 HP (3 cyl)	1977-79	BEL	9135825-9196960	REC46-73640A2	REC46-60366T1	REC46-73640A1	REC47-89983T		REC46-77822A1	REC48753	REC32768
70 HP (3 cyl)	1977-79	CAN	7087823-7110997	REC46-73640A2	REC46-60366T1	REC46-73640A1	REC47-89983T		REC46-77822A1	REC48753	REC32768
70 HP (3 cyl)	1977-83	USA	4977157-6428680	REC46-77177A3	REC46-60366T1	REC46-77177A1	REC47-89983T	REC47-89983Q1	REC46-77822A1	REC48753	REC32768
70 HP (3 cyl)	1977-83	AUS	8050200	REC46-77177A3	REC46-60366T1	REC46-77177A1	REC47-89983T	REC47-89983Q1	REC46-77822A1	REC48753	REC32768
70 HP (3 cyl)	1977-83	BEL	9196961-9385910	REC46-77177A3	REC46-60366T1	REC46-77177A1	REC47-89983T	REC47-89983Q1	REC46-77822A1	REC48753	REC32768
70 HP (3 cyl)	1977-83	CAN	7110998-7208332	REC46-77177A3	REC46-60366T1	REC46-77177A1	REC47-89983T	REC47-89983Q1	REC46-77822A1	REC48753	REC32768
70 HP (3 cyl) (6)	1987	USA	0A996142-0C221999	REC12094		REC43055A4	REC47-43026Q02		REC817275A2		REC817275A2
70 HP (3 cyl) (6)	1987	BEL	9483121-9589038	REC12094		REC43055A4	REC47-43026Q02		REC817275A2		REC817275A2
70 HP (3 cyl) (5)	1987	USA	0A996142-0C221999	REC12094		REC43055A4	REC47-43026Q02	REC47-43026Q06	REC817275A2		REC8172761
70 HP (3 cyl) (5)	1987	BEL	9483121-9589038	REC12094		REC43055A4	REC47-43026Q02	REC47-43026Q06	REC817275A2		REC8172761
75 HP (4 cyl)	1984-88	USA	6432901		REC46-96148A8		REC47-89984T4	REC47-89984Q5	REC46-96148T1	REC48752T	REC324351
75 HP (4 cyl)	1984-88	BEL	9393856		REC46-96148A8		REC47-89984T4	REC47-89984Q5	REC46-96148T1	REC48752T	REC324351
75 HP (4 cyl)	1984-88	CAN	7208573		REC46-96148A8		REC47-89984T4	REC47-89984Q5	REC46-96148T1	REC48752T	REC324351
75 HP (3 cyl) (6)	1990-98	USA	0C222000 +	REC12094		REC43055A4	REC47-43026Q02	REC47-43026Q06	REC817275A2		REC817275A2
75 HP (3 cyl) (6)	1990-98	BEL	9589039	REC12094		REC43055A4	REC47-43026Q02	REC47-43026Q06	REC817275A2		REC817275A2
75 HP (3 cyl) (5)	1990-98	USA	0C222000 +	REC12094		REC43055A4	REC47-43026Q02	REC47-43026Q06	REC817275A2		REC8172761
75 HP (3 cyl) (5)	1990-98	BEL	9589039	REC12094		REC43055A4	REC47-43026Q02	REC47-43026Q06	REC817275A2		REC8172761
75 (3 cyl) Optimax	1994-98	USA	0T980000 +	REC12094		REC43055A4	REC47-43026Q02	REC47-43026Q06	REC817275A2		REC8172761
800 (80 HP) (6 cyl)	1960		1335465-1398629				REC47-89984T4				REC324351
800 (80 HP) (6 cyl)	1961		1398630-1566239				REC47-89984T4				REC324351
800 (80 HP) (4 cyl)	1969-72		2559001-3144218		REC46-96148A8		REC47-89984T4	REC47-89984Q5	REC46-96148T1	REC48752T	REC324351
800 (80 HP) (4 cyl)	1969-72		3144219-3493912		REC46-96148A8		REC47-89984T4	REC47-89984Q5	REC46-96148T1	REC48752T	REC324351
80 HP (4 cyl)	1978-83	USA	4831999-6432900		REC46-96148A8		REC47-89984T4	REC47-89984Q5	REC46-96148T1	REC48752T	REC324351
80 HP (4 cyl)	1978-83	AUS	8050200		REC46-96148A8		REC47-89984T4	REC47-89984Q5	REC46-96148T1	REC48752T	REC324351
80 HP (4 cyl)	1978-83	BEL	9177626-9393855		REC46-96148A8		REC47-89984T4	REC47-89984Q5	REC46-96148T1	REC48752T	REC324351
80 HP (4 cyl)	1978-83	CAN	7110998-7208572		REC46-96148A8		REC47-89984T4	REC47-89984Q5	REC46-96148T1	REC48752T	REC324351
80 HP (3 cyl) (6)	1987	USA	0A996142-0C221999	REC12094		REC43055A4	REC47-43026Q02		REC817275A2		REC817275A2
80 HP (3 cyl) (6)	1987	BEL	9483121-9589038	REC12094		REC43055A4	REC47-43026Q02		REC817275A2		REC817275A2
80 HP (3 cyl) (5)	1987	USA	0A996142-0C221999 12094		REC43055A4	REC47-43026Q02	REC47-43026Q06		REC817275A2		REC8172761
80 HP (3 cyl) (5)	1987	BEL	9483121-9589038	REC12094		REC43055A4	REC47-43026Q02	REC47-43026Q06	REC817275A2		REC8172761
80 Jet	1994-98	USA	0D283222 +	REC12094		REC43055A4	REC47-43026Q02	REC47-43026Q06	REC817275A2		REC8172761
80 Jet	1994-98	BEL	9793577	REC12094		REC43055A4	REC47-43026Q02	REC47-43026Q06	REC817275A2		REC8172761
850 E, EL (85 HP) (6 cyl)	1963-64		1460999-1567039				REC47-89984T4				REC324351
850 E-1, EL-1 (85 HP) (6 cyl) (11)	1963-64		1566240-1766823		REC46-96148A8		REC47-89984T4	REC47-89984Q5	REC46-96148T1		REC324351
850, 850 XS (85 HP) (4 cyl)	1973-77	USA	3493913-4590511		REC46-96148A8		REC47-89984T4	REC47-89984Q5	REC46-96148T1	REC48752T	REC324351
850, 850 XS (85 HP) (4 cyl)	1973-77	BEL	9011604-9139349		REC46-96148A8		REC47-89984T4	REC47-89984Q5	REC46-96148T1	REC48752T	REC324351
850, 850 XS (85 HP) (4 cyl)	1973-77	CAN	7010108-7091097		REC46-96148A8		REC47-89984T4	REC47-89984Q5	REC46-96148T1	REC48752T	REC324351

			KIT	KIT SUPERIOR UPPER KIT KIT SUPERIORE KIT SUPERIEUR			KIT			
V-135 DFI	1998	USA	0G590000 +	REC46-96148A8	REC46-8M0077147	REC47-89984T4	REC47-89984Q5	REC46-96148T1	REC48752T	REC324351
140 Jet	1994-95	USA	0D082000 +	REC46-96148A8	REC46-8M0077147	REC47-89984T4	REC47-89984Q5	REC46-96148T1	REC48752T	REC324351
140 Jet	1994-95	BEL	9682500	REC46-96148A8	REC46-8M0077147	REC47-89984T4	REC47-89984Q5	REC46-96148T1	REC48752T	REC324351
V-150 Carb. (8)	1978-85	USA	4868998-0A904645	REC46-96148A8	REC46-96146A6	REC47-89984T4	REC47-89984Q5	REC46-96148T1	REC48752T	REC324351
V-150 Carb. (7)	1978-85	USA	4868998-0A904645	REC46-96148A8	REC46-8M0077147	REC47-89984T4	REC47-89984Q5	REC46-96148T1	REC48752T	REC324351
V-150 Carb. EFI Et DFI	1986-88	USA	0A904646 +	REC46-96148A8	REC46-8M0077147	REC47-89984T4	REC47-89984Q5	REC46-96148T1	REC48752T	REC324351
V-150 XR2, 4, 6, Mag.II, III (8)	1978-88	USA	4868998	REC46-96148A8	REC46-96146A6	REC47-89984T4	REC47-89984Q5	REC46-96148T1	REC48752T	REC324351
V-150 XR2, 4, 6, Mag.II, III (7)	1978-88	USA	4868998	REC46-96148A8	REC46-8M0077147	REC47-89984T4	REC47-89984Q5	REC46-96148T1	REC48752T	REC324351
V-1750, 175 (8)	1976-81	USA	4301235-6618750	REC46-96148A8	REC46-96146A6	REC47-89984T4	REC47-89984Q5	REC46-96148T1	REC48752T	REC324351
V-1750, 175 (8)	1980-81	AUS	8064250	REC46-96148A8	REC46-96146A6	REC47-89984T4	REC47-89984Q5	REC46-96148T1	REC48752T	REC324351
V-1750, 175 (7)	1976-81	USA	4301235-6618750	REC46-96148A8	REC46-8M0077147	REC47-89984T4	REC47-89984Q5	REC46-96148T1	REC48752T	REC324351
V-1750, 175 (7)	1980-81	AUS	8064250	REC46-96148A8	REC46-8M0077147	REC47-89984T4	REC47-89984Q5	REC46-96148T1	REC48752T	REC324351
V-175 Carb., EFI Et DFI	1985-88	USA	6618751	REC46-96148A8	REC46-8M0077147	REC47-89984T4	REC47-89984Q5	REC46-96148T1	REC48752T	REC324351
V-200 (8)	1978-84	USA	4839034-6625220	REC46-96148A8	REC46-96146A6	REC47-89984T4	REC47-89984Q5	REC46-96148T1	REC48752T	REC324351
V-200 (8)	1980-81	AUS	8061595-8065672	REC46-96148A8	REC46-96146A6	REC47-89984T4	REC47-89984Q5	REC46-96148T1	REC48752T	REC324351
V-200 (7)	1978-84	USA	4839034-6625220	REC46-96148A8	REC46-8M0077147	REC47-89984T4	REC47-89984Q5	REC46-96148T1	REC48752T	REC324351
V-200 (7)	1980-81	AUS	8061595-8065672	REC46-96148A8	REC46-8M0077147	REC47-89984T4	REC47-89984Q5	REC46-96148T1	REC48752T	REC324351
V-200 Carb. Et EFI (2.5L)	1985-88	USA	6625221	REC46-96148A8	REC46-8M0077147	REC47-89984T4	REC47-89984Q5	REC46-96148T1	REC48752T	REC324351
V-200 EFI (3.0L)		USA	0T750164 +	REC817275A6	REC807929A1	REC47-43026Q02	REC47-43026Q06	REC817275A1		REC8172761
V-200 DFI (3.0L)	1997	USA	0G386496-0G589999	REC817275A6	REC807929A1	REC47-43026Q02	REC47-43026Q06	REC817275A1		REC8172761
V-200 DFI (3.0L)	1998	USA	0G590000 +		REC807929A1	REC47-43026Q02	REC47-43026Q06	REC817275A1		REC8172761
V-220 Laser	1987-88	USA	0B117316 +	REC46-96148A8	REC46-8M0077147	REC47-89984T4	REC47-89984Q5	REC46-96148T1	REC48752T	REC324351
V-225 (2.4L) (8)	1980-81	USA	5628028	REC46-96148A8	REC46-96146A6	REC47-89984T4	REC47-89984Q5	REC46-96148T1	REC48752T	REC324351
V-225 (2.4L) (7)	1980-81	USA	5628028	REC46-96148A8	REC46-8M0077147	REC47-89984T4	REC47-89984Q5	REC46-96148T1	REC48752T	REC324351
V-225 (3.0L) Carb. Et EFI	1994-98	USA	0D280813 +		REC807929A1	REC47-43026Q02	REC47-43026Q06	REC817275A1		REC8172761
V-225 DFI	1998	USA	0G590000 +		REC807929A1	REC47-43026Q02	REC47-43026Q06	REC817275A1		REC8172761
V-250 (3.0L) EFI	1995-98	USA	0G129222 +		REC807929A1	REC47-43026Q02	REC47-43026Q06	REC817275A1		REC8172761
MARK 5			574128-786612			REC47-22748				
MARK 6, 6A			888005			REC47-22748				
MARK 50						REC47-89983T				
MARK 55			831021			REC47-89983T				
MARK 55A			1227131			REC47-89983T				
MARK 58 (E)			1139538			REC47-89983T				

MARINER


					KIT	KIT COMPLETO COMPLET SET KIT COMPLETO KIT COMPLET
2A	646				REC646-44352-01	
2B	6A1				REC646-44352-01	
4A	6,00E+000				REC6E0-44352-00	
5C	6,00E+003				REC6E0-44352-00	
6C	6H8				REC6G1-44352-00	
6D	6H6				REC6G1-44352-00	
8A(M)	655	000000-000300			REC662-44352-01	
8A(ML)	655	000000-300101			REC662-44352-01	
8B(M)	677	101			REC662-44352-01	
8B(ML)	677	300101			REC662-44352-01	
8C	6G1				REC6G1-44352-00	
9.9C	682				REC682-44352-01	REC682-W0078-A1
15A(M)	651	-285			REC662-44352-01	
15A(ML)	651	-3000100			REC662-44352-01	
15C	684				REC682-44352-01	REC682-W0078-A1
20C(M)	6A9	000101-005810			REC689-44352-02	REC689-W0078-A6
20C(ML)	6A9	300101-306542			REC689-44352-02	REC689-W0078-A6
20C(E)	6A9	250101-250819			REC689-44352-02	REC689-W0078-A6
20C(EL)	6A9	550101-550693			REC689-44352-02	REC689-W0078-A6
20C(M)	6A9	10112			REC689-44352-02	REC689-W4432-01
20C(ML)	6A9	306543			REC689-44352-02	REC689-W4432-01
20C(E)	6A9	250820			REC689-44352-02	REC689-W4432-01
20C(EL)	6A9	550694			REC689-44352-02	REC689-W4432-01
25C(M)	695	000101-014870			REC689-44352-02	REC689-W0078-A6
25C(ML)	695	000000-312185			REC689-44352-02	REC689-W0078-A6
25C(E)	695	000000-252290			REC689-44352-02	REC689-W0078-A6
25C(EL)	695	000000-553575			REC689-44352-02	REC689-W0078-A6
25C(M)	695	14871			REC689-44352-02	REC689-W4432-01
25C(ML)	695	312186			REC689-44352-02	REC689-W4432-01
25C(E)	695	252291			REC689-44352-02	REC689-W4432-01
25C(EL)	695	553576			REC689-44352-02	REC689-W4432-01
28	664				REC689-44352-02	
30	689				REC689-44352-02	
30A(M)	689	000366-014805			REC689-44352-02	REC689-W0078-A6
30A(ML)	689	301911-315315			REC689-44352-02	REC689-W0078-A6
30A(E)	689	100251-103275			REC689-44352-02	REC689-W0078-A6
30A(EL)	689	401216-407815			REC689-44352-02	REC689-W0078-A6
30A(M)	689	22059			REC689-44352-02	REC689-W4432-01
30A(ML)	689	321377			REC689-44352-02	REC689-W4432-01
30A(E)	689	105325			REC689-44352-02	REC689-W4432-01
30A(EL)	689	411947			REC689-44352-02	REC689-W4432-01
48/48W	670				REC6H3-44352-00	REC663-W0078-01
55/W55	663				REC6H3-44352-00	REC663-W0078-01
60	675, 6F0				REC6H3-44352-00	REC663-W0078-01



ÁNODO ANODE ANODI ANODE

TRIM TAB


ZN	KG (kg)	AL	KG (kg)	OEM
CM34762	0,24	CM34762A	0,09	34762A1



ZN	KG (kg)	OEM	HP
CM17264	0,46	17264T2	60 HP



ZN	KG (kg)	AL	KG (kg)	OEM
CM34127	0,59	CM34127A	0,22	34127T2




ZN	KG (kg)	OEM
CM822157T2	0,48	822157T2



ZN	KG (kg)	OEM
CM42121A2	0,30	42121A2




ZN	KG (kg)	AL	KG (kg)	OEM	HP
CM880653	0,50	CM880653A	0,20	880653	Verado V6




ZN	KG (kg)	OEM	HP
CM942860	0,28	94286T1	25 HP




ZN	KG (kg)	AL	KG (kg)	OEM
CM984325	0,42	CM984325A	0,11	98432Q6



ZN	KG (kg)	AL	KG (kg)	OEM
CM76214	0,28	CM762145A	0,11	76214




ZN	KG (kg)	OEM
CM822777	0,67	822777Q1



ZN	KG (kg)	OEM
CM89026	0,23	89026




ZN	KG (kg)	OEM	HP
CM09411	0,05	09411	4 - 7 HP




ZN	KG (kg)	OEM
CM41106-ZW9-000A	8M0137344	NEW MODELS 10, 15, 20 EFI (OR833820+)

new




ZN	KG (kg)	OEM	HP
CM47820	0,33	47820	20 HP



COLA DRIVE PIEDE EMBASE

ZN	KG (kg)	AL	KG (kg)	OEM
CM826134	0,25	CM826134A	0,10	826134




MERCURY

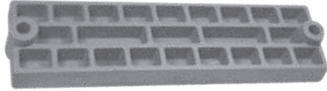
RECAMBIOS MARINOS

SOPORTE BRACKET SUPPORTO SUPPORT


ZN	KG (kg)	AL	KG (kg)	OEM
CM818298	0,66	CM818298A	0,26	818298A1



ZN	KG (kg)	AL	KG (kg)	OEM
CM43396	0,66	CM43396A	0,25	43396



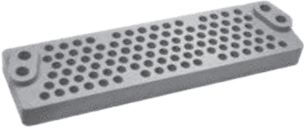
ZN	KG (kg)	AL	KG (kg)	OEM
CM89949	1,07	CM89949A	0,42	89949A1



ZN	KG (kg)	AL	KG (kg)	OEM	
CM825271	0,29	CM825271A	0,11	8252711	25 / 30 / 40 HP 4T/STROKES




ZN	KG (kg)	OEM	
CM8239121	0,91	8239121	50, 75, 90, 100 HP Super America 80, 155 HP




TRIM

ZN	KG (kg)	AL	KG (kg)	OEM	
CM892227	0,50	CM892227A	0,20	893404	Verado V6



ZN	KG (kg)	OEM	
CM6G1-45251-02			6C (6H8), 6D (6H6), 8C (6G1)



new

MOTOR ENGINE MOTORE MOTEUR


ZN	KG (kg)	OEM
CM820503	0,02	8205031



ZN	KG (kg)	OEM
CM826887M	0,33	826887M



ZN	KG (kg)	OEM	
CM67F-11325-00	0,07	894079002	90 HP 4T/STROKES



KITS

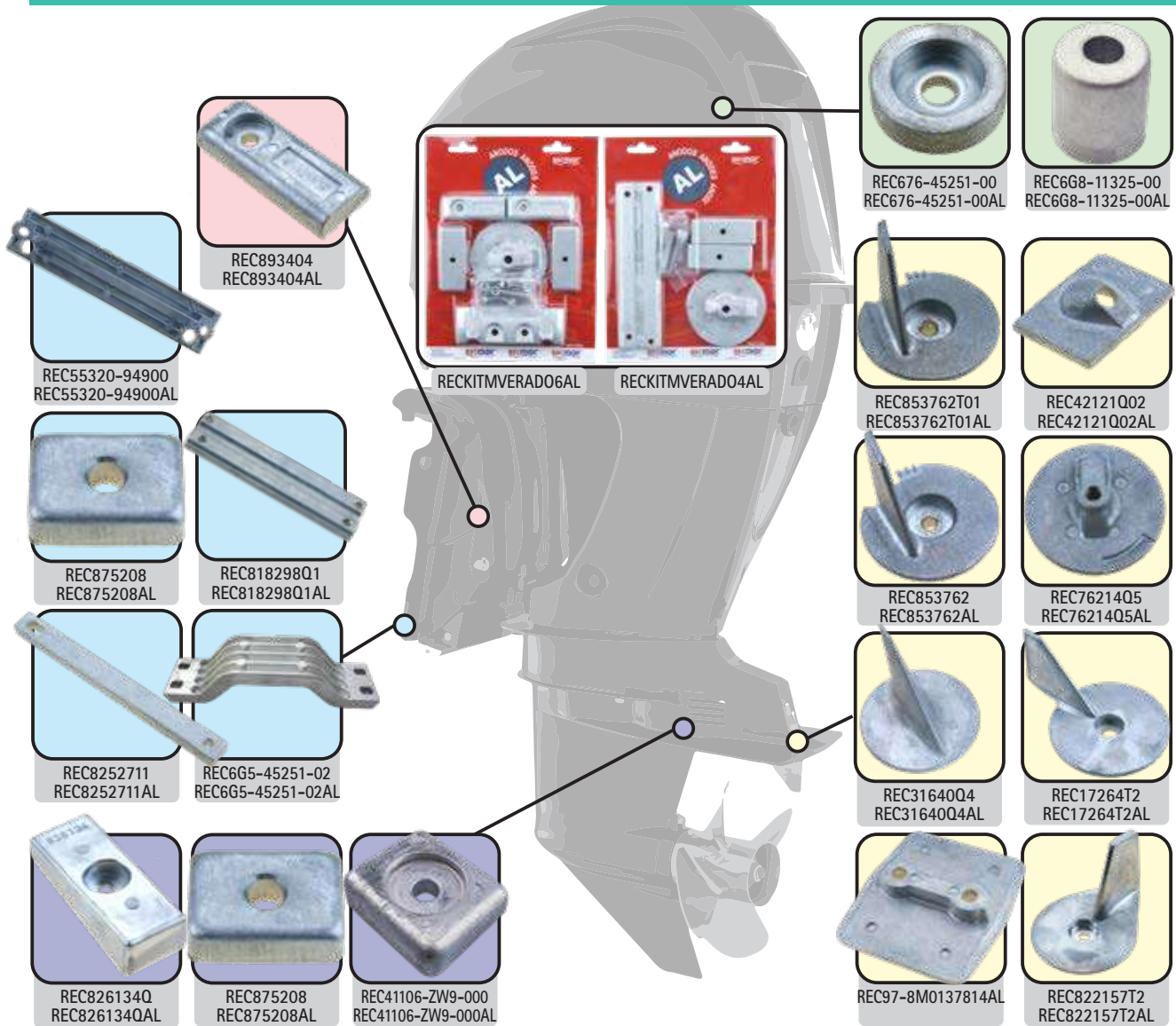
MG	AL		
CMVERADO6KITM	CMVERADO6KITA	8M0126670	VERADO 6 cyl
CMVERADO4KITM	CMVERADO4KITA	97-8M0107550	Verado 4 cyl. / Optimax.



AL		
CMPNCF16A	809664A 1	70HP + NOT 225EFI



new

ÁNODO
ANODE
ANODI
ANODE


	MOTOR ENGINE MOTORE MOTEUR	SOPORTE BRACKET SUPPORTO SUPPORT	TRIM	COLA GEAR CASE PIEDE EMBASE	TRIM TAB
4/ 5 / 6 HP (4 STROKE)				REC875208 REC875208AL	
8 - 20HP (4 STROKE)		REC875208 REC875208AL			
6 - 20HP (TOHATSU)					REC853762T01 REC853762T01AL
8/ 9.9/ 13.5/ 15 (4 STROKE) 6/ 8/ 9.9/ 10/ 15 (2 STROKE)					REC42121Q02AL
9.9 / 10 / 15 / 20 EFI				REC41106-ZW9-000 REC41106-ZW9-000AL	
8 Bodensee (4Stroke) international 9.9 (4Stroke) 232cc	REC6G8-11325-00 REC6G8-11325-00AL				REC853762 REC853762AL
25/30/40/50 (Tohatsu) 1.92:1					REC853762 REC853762AL
K40 (6F5)/ 40C (6E9)	REC676-45251-00 REC676-45251-00AL				
75 - 115 (4 STROKE) 135 To 300 Verado 2.5L/ 3.0L (EFI & DFI)				REC826134Q REC826134QAL	REC76214Q5 REC76214Q5AL
30HP +		REC818298Q1 REC818298Q1AL			
35HP +					REC31640Q4 REC31640Q4AL
40 - 75HP					REC17264T2 REC17264T2AL
25/30 EFI 40 / 50.MXL, LIGHTNING		REC55320-94900 REC55320-94900AL			
25/ 30/ 35/ 40/ 50 HP					REC822157T2 REC822157T2AL
25 - 50HP		REC8252711 REC8252711AL			
175 -300 HP V6 (3.4L) VO (4.6L)			REC893404 REC893404AL		REC97-8M0137814AL
225 HP EFI (OT6539945+)		REC6G5-45251-02 REC6G5-45251-02AL			
VERADO 6 CYL/ 4.6 V8			REC893404 REC893404AL		

ZN	 (kg)		OEM	2T STROKES 4T STROKES GROMMET
PAF15-07010008	8, 9.9, 13.5, 15 HP		97-855678 8M0099896	✓ PAF15-07010009



new



ÁNODO

ANODE

ANODI

ANODE

ÁNODO TRIM TAB

TRIM TAB ANODE

ANODO TRIM TAB

ANODE TRIM TAB

ZN	 (kg)	OEM	
TEN00808	0,27	34762	



ZN	 (kg)	OEM	
TEN00812	0,35	98432	25 HP (1990+)



ZN	 (kg)	AL	 (kg)	OEM	
TEN00800	0,48	TEN00800AL	31640	50 HP	



ZN	 (kg)	AL	 (kg)	OEM	
TEN00829	0,44	TEN00829AL	822157	F25 - F50	



ZN	 (kg)	OEM	
TEN00801	0,6	34127	80 - 140 HP



ZN	 (kg)	OEM	
TEN00830	0,68	822777	35 HP, V6 - MCM



ZN	 (kg)	OEM	
TEN00802	0,27	94286	25 HP



ZN	 (kg)	OEM	
TEN00839	0,15	853762	




ZN	 (kg)	OEM	
TEN00804	0,4	46399	50 - 140 HP





ZN	 (kg)	OEM	
TEN00827	0,51	17264	Formula 60 HP



ZN	 (kg)	OEM	
TEN00826	0,31	76214	Verado



ZN	 (kg)	OEM	
TEN00835	0,26	76214-4	






ZN	 (kg)	OEM	
TEN00809	0,03	85824	4.5 - 9 HP



ZN	 (kg)	OEM	
TEN00811	0,05	09411	4.5 - 7 HP



ZN	 (kg)	OEM	
TEN00810	0,03	42121	6 - 9.9 HP



ZN	 (kg)	OEM	
TEN00803	0,31	47820	20 HP



ZN	 (kg)	OEM	
TEN00832	0,49	80653	Verado 215- 275



ÁNODO SOPORTE	BRACKET ANODE	ANODO SUPPORTO	ANODE SUPPORT
---------------	---------------	----------------	---------------

ZN	 (kg)	OEM	
TEN00837	0,33	8M0012083	Verado 350 Cl - 6 cyl 4T/strokes



ZN	 (kg)	OEM	
TEN00840	0,51	8239121	



ZN	 (kg)	AL	 (kg)	OEM	
TEN00816	0,64	TEN00816AL		818298	40 - V6 135, 150, 175 HP Verado.



ZN	 (kg)	OEM	
TEN00805	0,67	46396	25, 50, 60, 75, 80, 90, 100, 115, 190 HP



ZN	 (kg)	OEM	
TEN00821	1,18	89949	150 - 200 HP





ZN	 (kg)	OEM	
TEN00822	0,29	825271	30 - 40 HP




ÁNODO TRIM	TRIM ANODE	ANODO TRIM	ANODE TRIM
------------	------------	------------	------------

ZN	 (kg)	OEM	
TEN00833	0,11	893404	Verado 215- 275 hp



ZN	 (kg)	OEM	
TEN01108			6C (6H8), 6D (6H6), 8C (6G1)



new

ÁNODO COLA		DRIVE ANODE		ANODO PIEDE		ANODE EMBASE	
ZN	 (kg)	AL	 (kg)	OEM			
TEN00825	0,24	TEN00825AL		818298		40 - V6 135, 150, 175 HP Verado.	



MOTOR		ENGINE		MOTORE		MOTEUR	
ZN	 (kg)	OEM		ZN	 (kg)	OEM	
TEN00813	0,01	823912-1	4.5 HP	TEN00823	20 mm	0,01	825271
				TEN00824	24 mm	0,02	823913





ZN	 (kg)	OEM	
TEN00841	0,04	804043	






ZN	 (kg)	OEM	
TEN00838	1	847635001	Verado 350 CI - 6 cyl 4T/Strokes




ZN	 (kg)	AL	 (kg)	OEM
TEN00842	0,858	TEN00842AL		8M0057772



ZN	 (kg)	OEM	
TEN00834	0,03	875208	4T - 4 - 9.9 HP



AL	 (kg)	OEM
TEN00843AL	0,89	879150A65



ZN	 (kg)	OEM
TEN00831	0,02	826887M



PARTES DEL MOTOR ENGINE PARTS

PARTI MOTORE PIECES MOTEUR

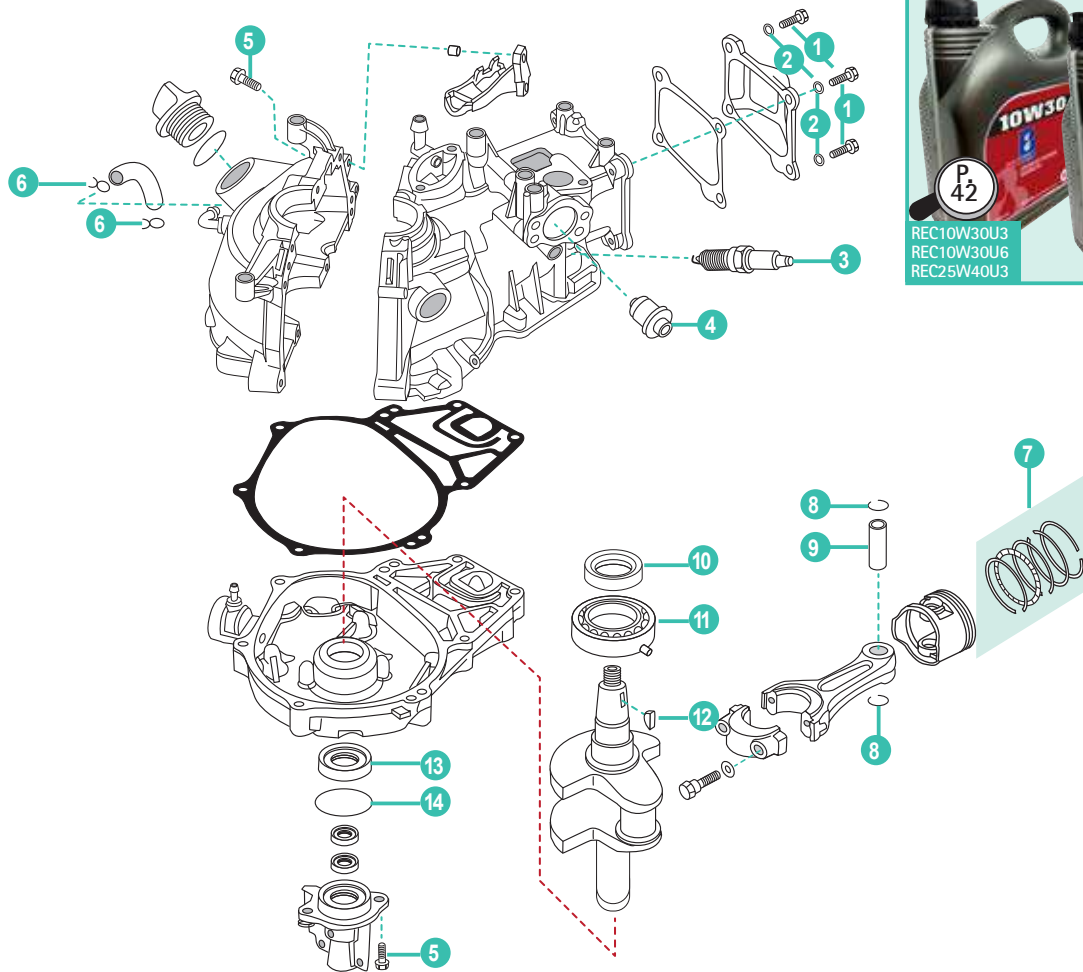
DESPIECE MOTOR DE 4
TIEMPOS

ENGINE PARTS
4 STROKES

PARTI MOTORI
4 TEMPI

PIECES MOTEURS 4
TEMPS

4T
STROKES 2, 2.5, 3.5 HP

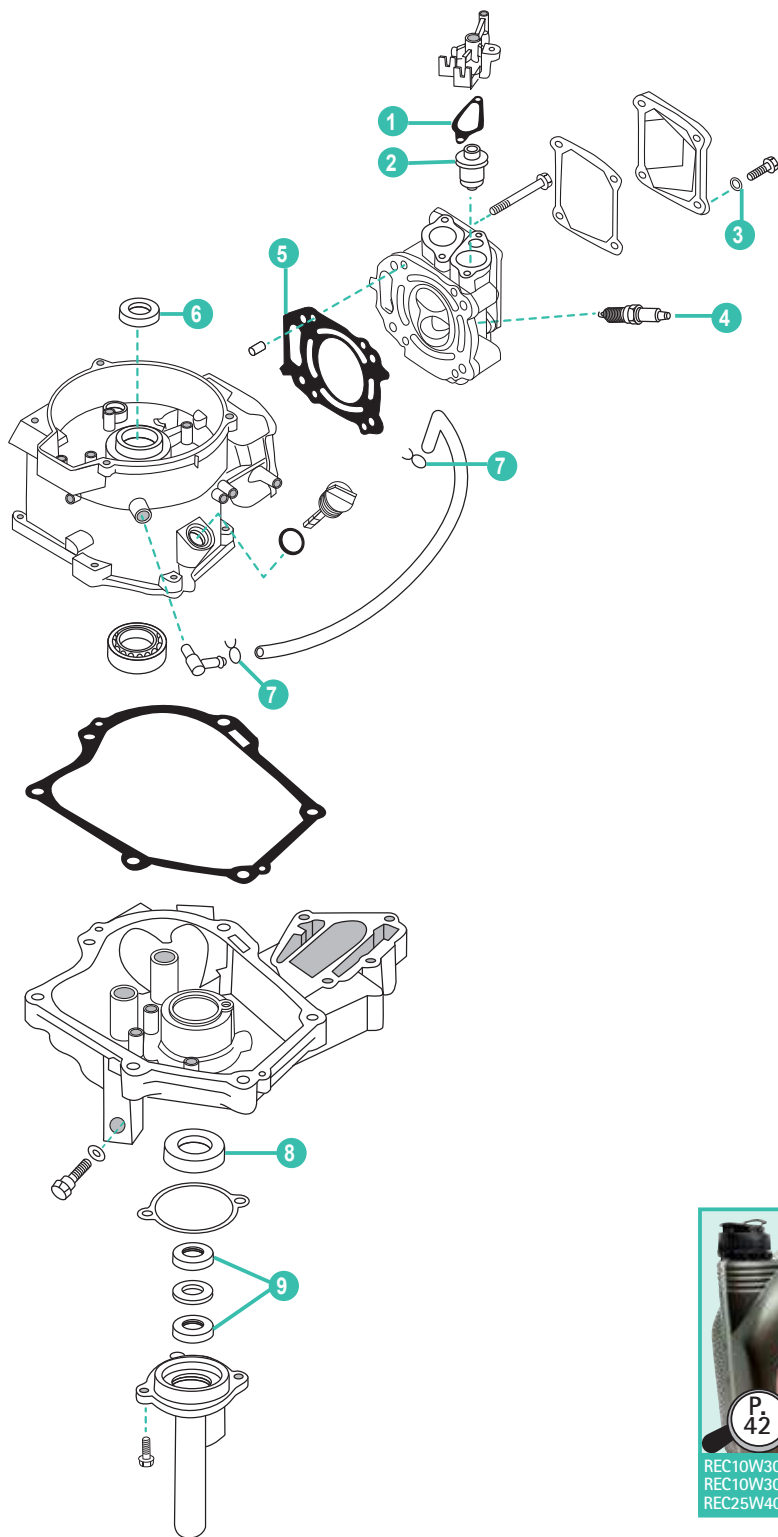


	REF	OEM				UN.	
1	PAGB/T5783-M6X16	16832	TORNILLO	BOLT	VITE	VIS	4
2	PAGB/T848-6	953921	ARANDELA	WASHER	RONDELLA	RONDELLE	4
3	NGKDCPR6E	803507	BUJÍA	SPARK PLUG	CANDELA	BOUGIE	1
4	RM804540	804540	TERMOSTATO	TEHRMOSTAT	TERMOSTATO	THERMOSTAT	1
5	PAGB/T5787-M6X20	167051	TORNILLO	BOLT	VITE	VIS	4
6	PAF4-04000030	95395	CLIP INOX	CLIP SS	CLIP INOSS	CLIPS INOX	2
7	REC39-8M0055809	898103A47	KIT SEGMENTOS	PISTON RING KIT	KIT FASCIA	KIT DE SEGMENTS	1
8	REC53-16057	16057	CLIP	CLIP	CLIP	CLIPS	2
9	PAF8-05020105	825713001	PIN, PISTÓN	PIN, PISTON	SPINOTTO PISTONE	AXE DE PISTON	1
10	REC26-803514	898101285	RETÉN	OIL SEAL	PARAOILIO	JOINT SPI	2
11	REC30-16049	16049	RODAMIENTO	BEARING	CUSCINETTO	ROULEMENT	1
12	PAT3.6-04000006	95229	CHAVETA	KEY WOODRUFF	CHIAVETTA	CLAVETTE	1
13	REC26-803514	898101285	RETÉN	OIL SEAL	PARAOILIO	JOINT SPI	1
14	PAGB/T3452.1-32.5X1.	825057003	TÓRICA	O-RING	O-RING	JOINT TORIQUE	1

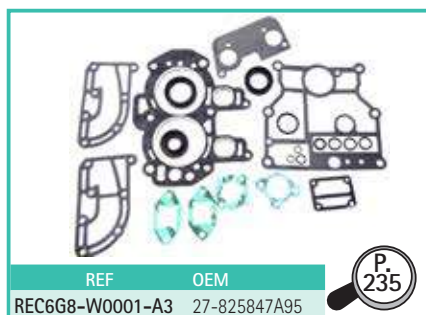
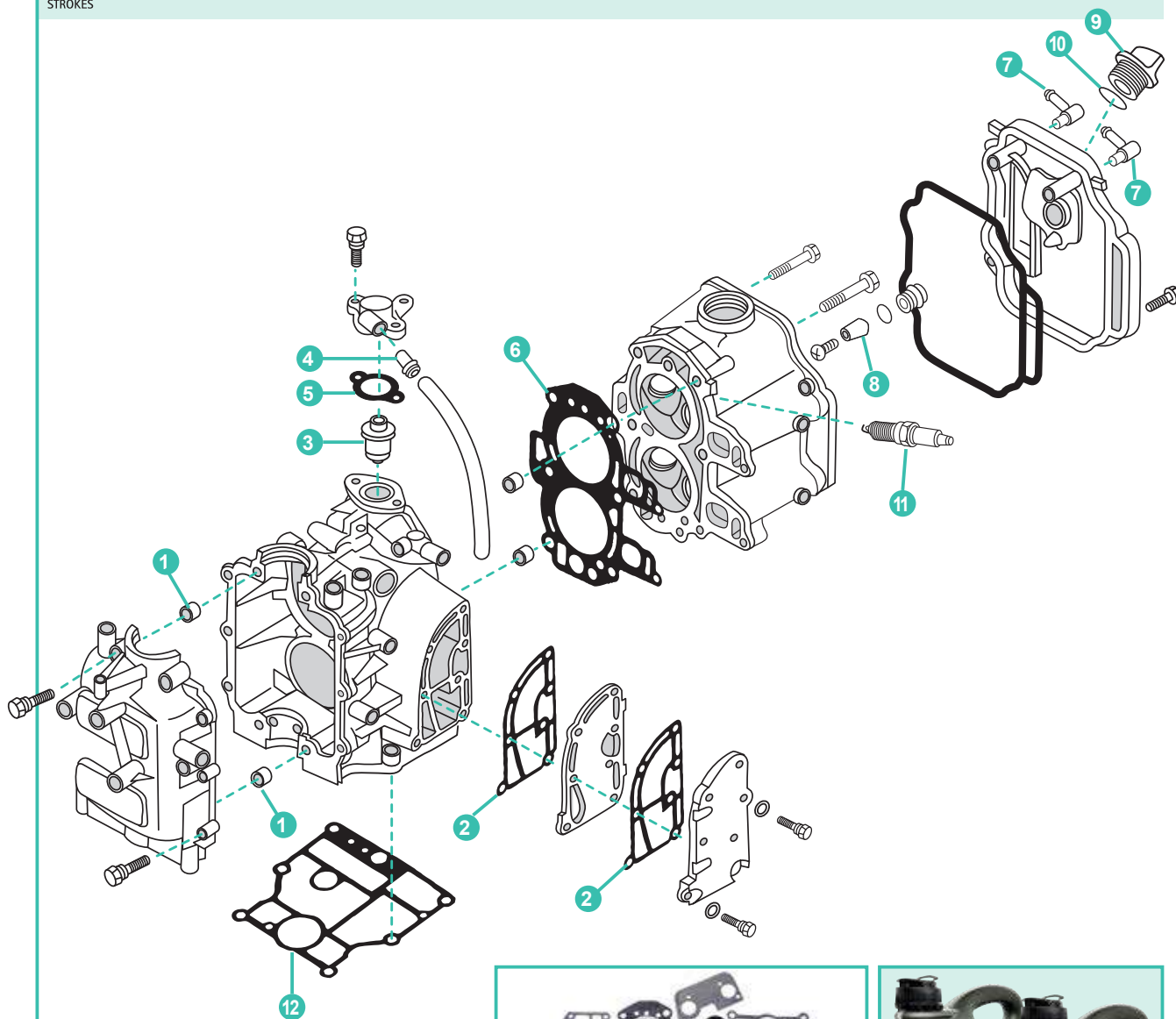
MERCURY

RECAMBIOS
MARINOS

4T 4, 5, 6 HP
STROKES



	REF	OEM					UN.
1	PAF8-05010005	27-853702	JUNTA	GASKET	GUARNIZIONE	JOINT DE THERMOSTAT	1
2	RM804540	804540	TERMOSTATO	TEHRMOSTAT	TERMOSTATO	THERMOSTAT	1
3	PAGB/T848-6	12-953921	ARANDELA	WASHER	RONDELLA	RONDELLE	4
4	NGKDCPR6E	33-803507	BUJÍA	SPARK PLUG	CANDELA	BOUGIE	1
5	REC27-803508	803508	JUNTA	GASKET	GUARNIZIONE	JOINT DE CULASSE	1
6	REC26-803514	26-803514	RETÉN	OIL SEAL	PARAOLIO	JOINT SPI	1
7	PAF4-04000030	54-952245	CLIP	CLIP	CLIP	CLIPS	2
8	REC26-8537077	26-8537077	RETÉN	OIL SEAL	PARAOLIO	JOINT SPI	1
9	REC26-16703	26-16703	RETÉN	OIL SEAL	PARAOLIO	JOINT SPI	2



REF	OEM
REC6G8-W0001-A3	27-825847A95



P. 42
 REC10W30U3
 REC10W30U6
 REC25W40U3

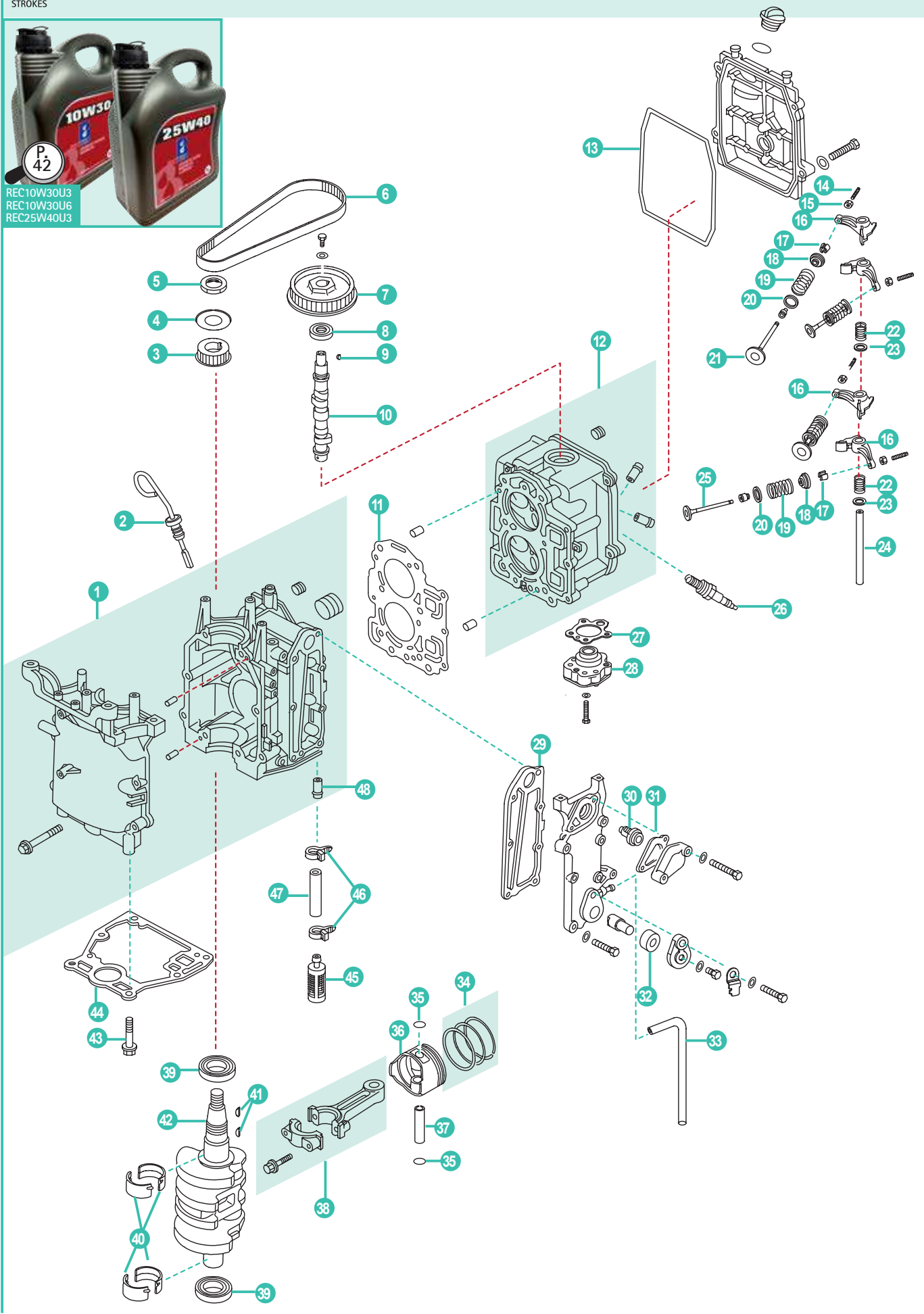
	REF	OEM				UN.	
1	PAF15-07000001	17-825689	PIN	PIN	PIN	PIN	2
2	REC6G8-41112-02	27-825693	JUNTA	GASKET	GUARNIZIONE	JOINT	2
3	REC6AH-12411-00	825212T02	TERMOSTATO	THERMOSTAT	TERMOSTATO	THERMOSTAT	1
4	PAF15-07010006	88305914	PIPA DE AGUA	PIPE, WATER	TUBO	RACCORD TUYAU D'EAU	1
5	REC6G8-12414-A0	27-825701	JUNTA TAPA TERMOSTATO	GASKET, THERMOSTAT COVER	GUARNIZIONE COPERCHIO TERMOSTATO	JOINT COUVERCLE DE THERMOSTAT	1
6	REC6G8-11181-A1	27-8254821	JUNTA CULATA	GASKET, CYLINDER HEAD	GUARNIZIONE TESTATA	JOINT DE CULASSE	1
7	PAF15-04000005	22-83326M	NIPLE	HOSE NIPLE	TUBO	TUYAU	2
8	CM6G8-11325-00	825435	ÁNODO	ANODE	ANODO	ANODE	1
9	PAF15-07050004	859578A1	TAPÓN ACEITE	PLUG, OIL	TAPPO OLIO	BOUCHON REMPLISSAGE D'HUILE	1
10	PAJASOF40431-025	25-8M0052669	TÓRICA	O-RING	O-RING	JOINT TORIQUE	1
11	NGKCR6HS	33-827859	BUJÍA	SPARK PLUG	CANDELA	BOUGIE	2
12	REC6G8-11351-A0	27-825847	JUNTA BASE MOTOR	GASKET ENGINE	GUARNIZIONE BASE MOTOR	JOINT DE TETE MOTRICE	1

4T 8 HP • 9.9 HP (209 CC) (0P325500+)

STROKES

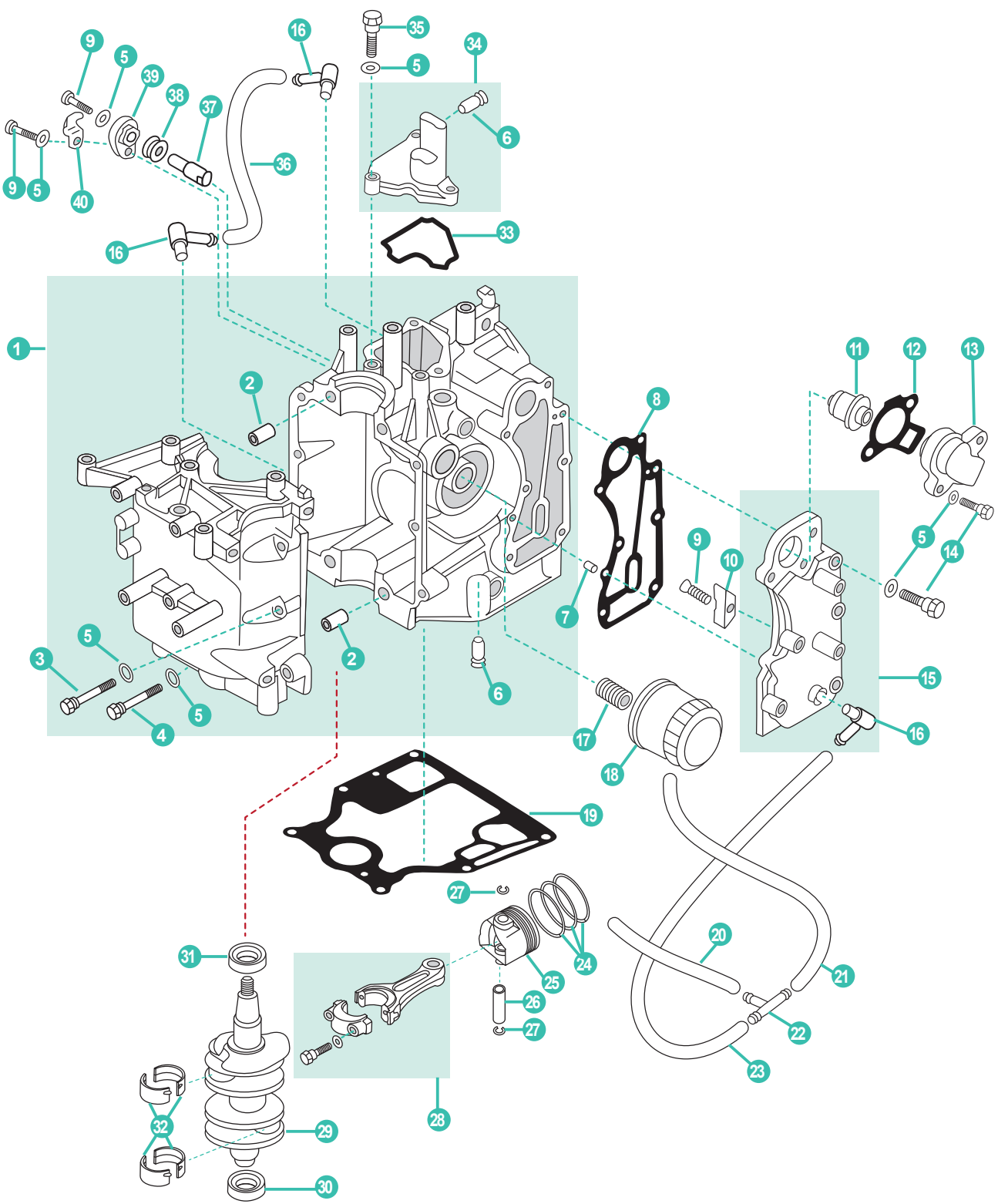


REC10W30U3
REC10W30U6
REC25W40U3



	REF	OEM				UN.	
1	PAF8-05010000	878-815013T06	BLOQUE COMPLETO	CRANKCASSE ASSY	BLOCCO MOTORE	BLOC COMPLET	1
2	PAF8-00000200	803512001	MEDIDOR NIVEL ACEITE	OIL LEVEL GAUGE	MISURATORE LIVELLO OLIO	JAUGE D'HUILE	1
3	PAF8-05010014	43-834955001	POLEA	DRIVER PULLEY	PULEGGIA	POULIE	1
4	PAF8-05010015	895119	ARANDELA	WASHER	RONDELLA	RONDELLE	1
5	PAF8-05010016	11-855679001	TUERCA	NUT	DADO	ÉCROU	1
6	PAF8-05000004	57-895120	CORREA	TIMING BELT	CINGHIA DI DISTRIBUZIONE	COURROIE DE DISTRIBUTION	1
7	PAF8-05030400	43-834973001	POLEA	DRIVER PULLEY	PULEGGIA	POULIE	1
8	PAF8-05030011	26-825455001	RETÉN	OIL SEAL	PARAOLIO	JOINT SPI	1
9	PAT3.6-04000006	28-95229	CHAVETA	KEY WOODRUFF	CHIAVETTA	CLAVETTE	1
10	PAF8-05030008	834956005	ÁRBOL DE LEVAS	CAMSHAFT ASSY	ALBERO A CAMME	ARBRE À CAMES	1
11	PAF8-05000100	27-850836001	JUNTA CULATA	CYLINDER HEAD GASKET	GUARNIZIONE TESTATA	JOINT DE CULASSE	1
12	PAF8-05030100	900-835430T03	CULATA	CYLINDER HEAD ASSY	TESTATA	CULASSE	1
13	PAF8-05000002	27-803508017	JUNTA TAPA CULATA	CYLINDER HEAD COVER GASKET	GUARNIZIONE COPERCHIO TESTATA	JOINT CACHE CULBUTEUR	1
14	PAF15-07040303	10-825046001	TORNILLO AJUSTE	SCREW, VALVE ADJUSTING	VITE, REGOLATORE	VIS POINTEAU	4
15	PAF15-07040304	11-826150001	TUERCA	LOCK NUT	GHIERA	ÉCROU	4
16	PAF8-05030200	850841002	BALANCIÓN	ROCKER	BILANCIERE	CULBUTEUR	4
17	PAF8-05030007	28-803556	SEGURO	COTTER, VALVE	CHIUSURA DI SICUREZZA	CLAVETTE DE SOUPAPE	8
18	PAF8-05030006	822650001	RETÉN MUELLE DE VÁLVULA	RETAINER, VALVE SPRINGER	VALVOLA DI RITEGNO	COUPELLE RESSORT DE SOUPAPE	4
19	PAF8-05030005	24-803554005	MUELLE VÁLVULA	SPRING VALVE	VALVOLA MOLLA	RESSORT	4
20	PAF8-05030004	855959001	SELLO MUELLE VÁLVULA	SEAL, VALVE SPRING	SIGILLO MOLLA	JOINT RESSORT DE SOUPAPE	4
21	PAF8-05030001	850838T01	VÁLVULA ADMISIÓN	VALVE INTAKE	VALVOLA ASPIRAZIONE	SOUPAPE D'ADMISSION	2
22	PAF8-05030009	24-825452001	MUELLE	SPRING ROCKER	MOLLA	RESSORT	4
23	PAF8-05030015	12-895118001	ARANDELA	WASHER	RONDELLA	RONDELLE	2
24	PAF8-005030010	850842001	EJE	SHAFT ROCKER	ASSE	AXE DE CULBUTEUR	1
25	PAF8-05030002	850839T01	VÁLVULA ESCAPE	VALVE EXHAUST	VALVOLA SCARICO	SOUPAPE D'ÉCHAPPEMENT	2
26	NGKDCPR6E	33-803507	BUJÍA	SPARK PLUG	CANDELA	BOUGIE	1
27	PAF8-05030012	27-853523001	JUNTA BOMBA ACEITE	OIL PUMP GASKET	GUARNIZIONE POMPA OLIO	JOINT DE POMPE À HUILE	1
28	PAF8-05030300	834967T03	BOMBA ACEITE	OIL PUMP	POMPA OLIO	POMPE À HUILE	1
29	PAF8-05010004	27-834952001	JUNTA ESCAPE	GASKET, EXHAUST COVER	GUARNIZIONE SCARICO	JOINT ÉCHAPPEMENT	1
30	REC855676002	855676002	TERMOSTATO	THERMOSTAT	TERMOSTATO	THERMOSTAT	1
31	PAF8-05010005	27-853702005	JUNTA TERMOSTATO	GASKET, THERMOSTAT	GUARNIZIONE TERMOSTATO	JOINT DE THERMOSTAT	1
32	TEN00813	97-823912	ÁNODO	ANODE	ANODO	ANODE	1
33	PAF8-05000024	35-851848003	TUBO	WATER PIPE	TUBO	TUYAU	1
34	REC39-8M0055809	39-8M0055809	KIT SEGMENTOS	PISTON RING KIT	KIT FASCIA	KIT DE SEGMENTS	1
35	PAF15-07020005	53-16057	CLIP	CLIP	CLIP	CLIPS	4
36	PAF8-05020101	700-834963A02	PISTÓN	PISTON	PISTONE	PISTON	2
37	PAF8-05020105	41-825713001	PIN, PISTÓN	PIN, PISTON	SPINOTTO PISTONE	AXE DE PISTON	
38	PAF8-05020200	600-834961002	BIELA	CONNENCTING ROD	BIELLA	BIELLE	2
39	PAF8-05010012	26-855681001	RETÉN	OIL SEAL	PARAOLIO	JOINT SPI	2
40	PAF8-05010009	31-834960T08	COJINETE DE BANCADA	BUSH	BRONZINA	BAGUE	4
41	PAF4-04000019	28-825666001	CHAVETA	KEY WOODRUFF	CHIAVETTA	CLAVETTE	2
42	PAF8-05020001	400-834957T01	CIGÜEÑAL	CRANK	ALBERO MOTORE	VILEBREQUIN	1
43	PAF8-00000003	10-89514001	TRONILLO M8X35	BOLT M8X35	VITE M8X35	VIS M8X35	6
44	PAF8-00000004	27-835427003	JUNTA BASE MOTOR	GSKET ENGINE BASEMENT	GUARNIZIONE BASE MOTORE	JOINT BASE DE MOTEUR	1
45	PAF8-05000800	35-895152002	FILTRO ACEITE	OIL FILTER	FILTRO OLIO	FILTRE A HUILE	1
46	PAF8-05000025	54-816311T	CLIP	HOOP	CLIP	CLIPS POUR DURITE D'HUILE	2
47	PAF8-05000017	32-895153	MANAGUERA	HOSE	TUBO	TUYAU	1
48	PAF8-05010002	22-822644001	RACOR	NIPPLE	RACCORDO	TETINE	1

4T 8 (BONDESEE) (INT.) (OP086824 - OP4000999) • 9.9 (323 CC) (OP075166 - OP400999)
 13.5 (INT.) (OP134638+) • 15 (9973100+)



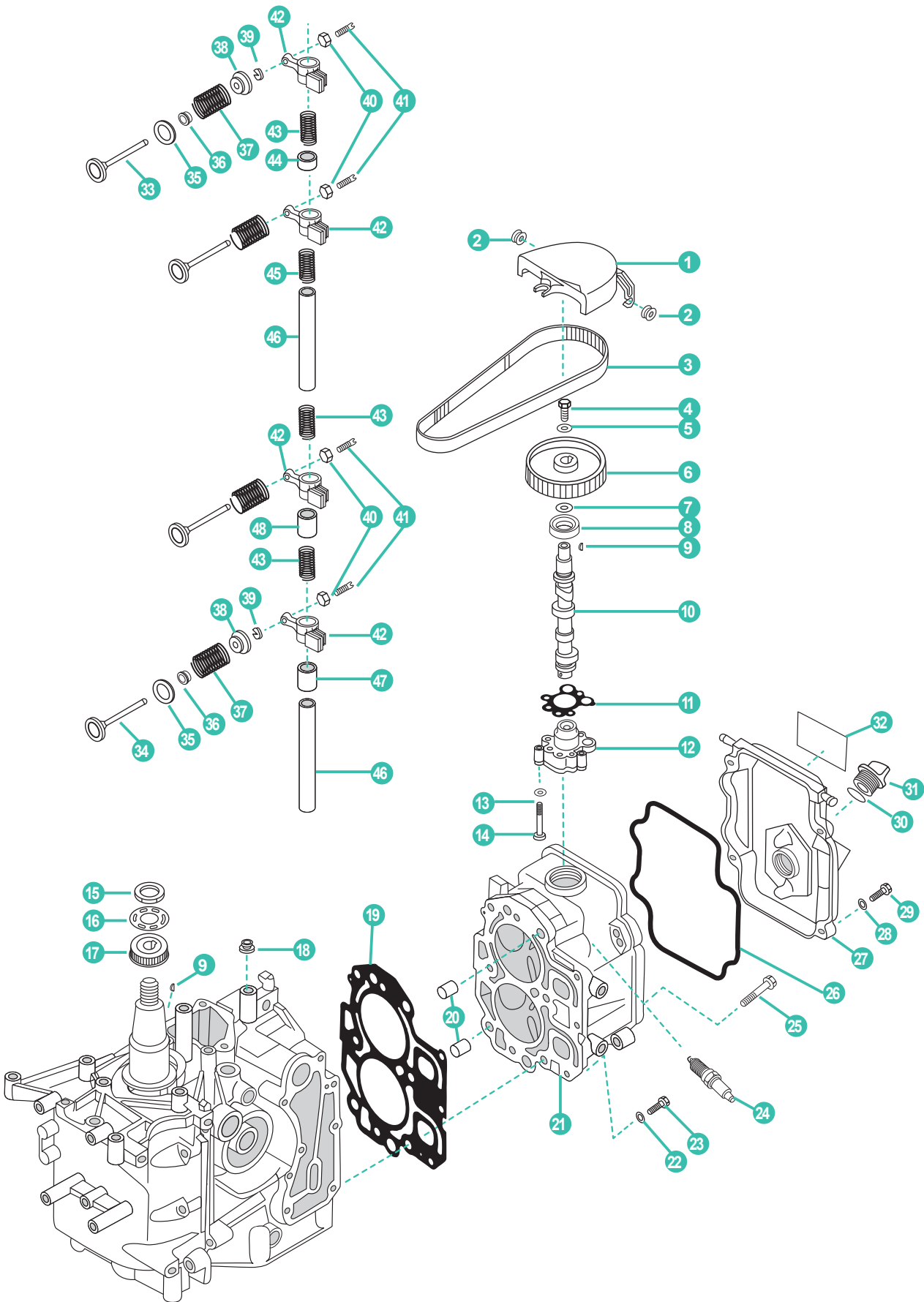
REF	OEM
REC66M-W0001-01	27-835427A00



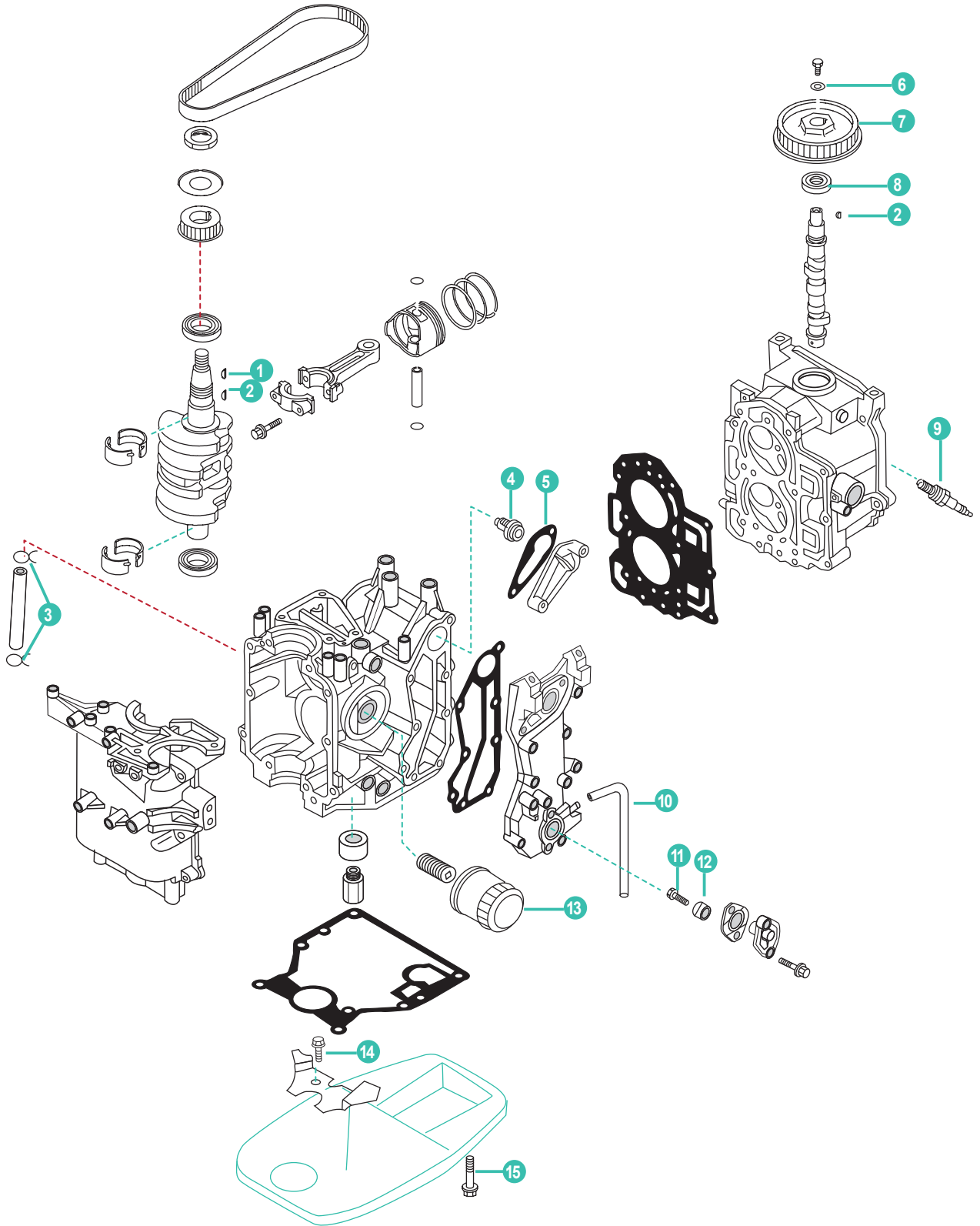
P. 235

	REF	OEM				UN.	
1	PAF15-07010000	8M0055024	BLOQUE MOTOR COMPLETO	CRANKCASE ASSY	BLOCCO MOTORE COMPLETO	CARTER BLOC MOTEUR	1
2	PAF15-07000001	17-825689	PIN CENTRADOR	HOLLOW PIN	SPINOTTO DI CENTRAGGIO	PIN DE CENTRAGE	2
3	PAGB/T5783-M5X12	10-43092M	TORNILLO	BOLT	VITE	VIS	6
4	PAGB/T5783-M5X12	10-41884M	TORNILLO	BOLT	VITE	VIS	4
5	PAGB/T97.1-8		ARANDELA	WASHER	RONDELLA	RONDELLE	22
6	PAF15-07010006	22-822644	PIPA DE AGUA	PIPE, WATER	TUBO	RACCORD TUYAU D'EAU	2
7	PAF15-07000013		PIN	OPIN	SPINOTTO	LEVIER D'ENTRAINEMENT	2
8	PAF15-07010018	27-834952002	JUNTA EXTERIOR, TAPA DE ESCAPE	GASKET, EXHAUST OUTER COVER	GUARNIZIONE ESTERIORE, COPERCHIO SCARICO	JOINT COUVERCLE EXT ECHAPPEMENT	1
9	PAGB/T5783-M5X12		TORNILLO	SCREW	VITE	VIS	1
10	PAF15-07010026		ÁNODO	ANODE	ANODO	ANODE	1
11	PAF15-07000031	855676003	TERMOSTATO	THERMOSTAT	TERMOSTATO	THERMOSTAT	1
12	PAF15-07010022	27-824853	JUNTA TAPA TERMOSTATO	GASKET, THERMOSTAT COVER	GUARNIZIONE COPERCHIO TERMOSTATO	JOINT COUVERCLE DE THERMOSTAT	1
13	PAF15-07010021	8250311	TAPA TERMOSTATO	COVER, THERMOSTAT	COPERCHIO TERMOSTATO	COUVERCLE DE THERMOSTAT	1
14	PAGB/T5783-M5X12	10-82500930	TORNILLO	SCREW	VITE	VIS	7
15	PAF15-07010019	834953T02	TAPA ESCAPE COMPLETA	OUTTER COVER, EXHAUST	COPERCHIO SCARICO COMPLETA	COUVERCLE ECHAPPEMENT EXTERIEUR	1
16	PAF15-04000005		NIPLE DE MANGUERA	NIPPLE	TUBO	RACCORD D'EAU	3
17	PAF15-07010003	822625	TORNILLO	BOLT	VITE	VIS	1
18	PAF15-07010023	35-822626Q03	FILTRO ACEITE	OIL FILTER	FILTRO DELL'OLIO	FILTRE À HUILE	1
	REC5GH-13440-00	35-822626Q03	FILTRO ACEITE	OIL FILTER	FILTRO DELL'OLIO	FILTRE À HUILE	1
19	PAF15-00000014	27-8354272	JUNTA BASE MOTOR	GASKET ENGINE	GUARNIZIONE BASE MOTORE	JOINT DE TETE MOTRICE	1
20	PAF15-05000013		TUBO B	HOSE B	TUBO B	DURITE D'EAU B	1
21	PAF15-05000014		TUBO C	HOSE C	TUBO C	DURITE D'EAU C	1
22	PAF15-05000011		CONECTOR DE 3 VÍAS	THREE-WAY PIPE	CONNETTORE T	RACCORD EN TE	1
23	PAF15-05000012		TUBO A	HOSE A	TUBO A	DURITE D'EAU A	1
24	REC66N-11603-00	850846+ 850847+ 825839	KIT SEGMENTOS DE PISTÓN	PISTON RING KIT	KIT FASCIA PISTONE	KIT DE SEGMENTS	2
25	PAF15-07020001	700-834963	PISTÓN	PISTON	PISTONE	PISTON	2
26	PAF15-07020006	41-825713	BULÓN	PIN, PISTON	BULLONE	AXE DE PISTON	2
27	PAF15-07020005	53-82343M	CIRCLIP	CIRCLIP	CIRCLIP	CIRCLIP	4
28	PAF15-07020100	600-834961A1	BIELA	ROD, CONNECTING	BIELLA	BIELLE	2
29	PAF15-07030000	400-834957	CIGÜEÑAL	CRANK ASSY	ALBERO MOTORE	VILEBREQUIN	1
30	PAF15-07030007	26-855681	RETÉN DE ACEITE	OIL SEAL	PARAOLIO	JOINT SPI	1
31	PAF15-07030006	26-855680	RETÉN DE ACEITE	OIL SEAL	PARAOLIO	JOINT SPI	1
32	PAF15-07010024	31-834960	COJINETE BANCADA	MAIN BEARING	CUSCINETTO	PALIER DE VILEBREQUIN	4
33	PAF15-07010014	26-850850	JUNTA TAPA	GASKET, COVER	GAURNIZIONE COPERCHIO	JOINT COUVERCLE	1
34	PAF15-07010200	834974	TAPA	COVER, BREATHER	COPERCHIO	COUVERCLE	1
35	PAGB/T5783-M5X12	10-855778	TORNILLO	BOLT	VITE	VIS	1
36	PAF15-07010007		TUBO	HOSE, RETURN OIL	TUBO	TUYAU	1
37	PAF15-07010008	855678	ÁNODO	ANODE	ANODO	ANODE	1
38	PAF15-07010009	27-825040	ALOJAMIENTO ÁNODO	GROMMET, ANODE	ALLOGGIAMENTO ANODO	JOINT D'ANODE	1
39	PAF15-07010011	855776	TAPA ÁNODO	COVER, ANODE	COPERTURA ANODO	COUVERCLE D'ANODE	1
40	PAF15-07010012	855779	EMPAQUETADORA DE ÁNODO	PLATE, ANODE	PIASTRA ANODO	PLAQUE D'ANODE	1

4T 8 (BONDESEE) (INT.) (OP086824 - OP4000999) • 9.9 (323 CC) (OP075166 - OP4000999)
 STROKES 13.5 (INT.) (OP134638+) • 15 (9973100+)



	REF	OEM				UN.	
1	PAF15-07000024	85691	TAPA	COVER, DUST	COPERCHIO	COUVERCLE	1
2	PAF15-07050003	25-8527681	GOMA	RING RUBBER A	GOMMINO	BAGUE DE COUVERCLE	2
3	REC66M-46241-00	835392	CORREA DISTRIBUCIÓN	BELT TIMING	CINGHIA DISTRIBUZIONE	COURROIE DISTRIBUTION	1
4	PAGB/T5783-M5X12	10-826957M	TORNILLO	BOLT	VITE	VIS	1
5	PAGB/T5287-6	12-825498	ARANDELA	BIG WASHER	RONDELLA	RONDELLE	1
6	PAF15-07040018	43-834973	POLEA DE CORREA	BELT PULLEY, DRIVEN	PULEGGIA	POULIE DE COURROIE	1
7	PAF15-07040017	12-82710M	ARANDELA	WASHER	RONDELLA	RONDELLE	1
8	PAF15-07040008	26-825455	RETÉN DE ACEITE	OIL SEAL	PARAOLIO	JOINT SPI	1
9	PAGB/T1099-3X5X13	28-825666	CHAVETA	KEY, WOODRUFF	CHIAVETTA	CLAVETTE	2
10	PAF15-07040200	834956	ÁRBOL DE LEVAS	CAMSHAFT ASSY	ALBERO A CAMME	ARBRE À CAMES	1
11	PAF15-07040016	27-853523	JUNTA	MAF, AIRPROOF	GUARNIZIONE	JOINT	1
12	PAF15-07040500	834967A1	BOMBA ACEITE	OIL PUMP ASSY	POMPA DELL'OLIO	POMPE À HUILE	1
13	PAGB/T97.1-8		ARANDELA	WASHER	RONDELLA	RONDELLE	3
14	PAGB/T5783-M5X12	10-850879	TORNILLO	BOLT	VITE	VIS	3
15	PAF15-07030005	1-855679	TUERCA	NUT	GHIERA	ÉCROU	1
16	PAF15-07030004	12-850843	ARANDELA	WASHER	RONDELLA	RONDELLE	1
17	PAF15-07030003	43-834955	POLEA DENTADA	BELT PULLEY, TIMING	PULEGGIA	POULIE	1
18	PAF15-07010027	25-855690	GOMA	RUBBER RING	GOMMINO	BAGUE DE COUVERCLE	1
19	PAF15-07000100	27-850836	JUNTA CULATA	GASKET, CYLINDER HEAD	GUARNIZIONE TESTATA	JOINT DE CULASSE	1
20	PAF15-07000001	17-825689	PIN CENTRADOR	HOLLOW PIN	SPINOTTO DI CENTRAGGIO	PIN DE CENTRAGE	2
21	PAF15-07040000	900-835430A1	CULATA	CYLINDER HEAD ASSY	TESTATA	CULASSE	1
22	PAGB/T97.1-6		ARANDELA	WASHER	RONDELLA	RONDELLE	3
23	PAGB/T5783-M6X25	10-82500925	TORNILLO	BOLT	VITE	VIS	3
24	NGKDPR7EA-9	33-827858	BUJÍA	SPARK PLUG	CANDELA	BOUGIE	2
25	PAF15-07000028	10-855677	TORNILLO	BOLT	VITE	VIS	6
26	PAF15-07050002	850837	JUNTA TAPA	SEAL, CYLINDER COVER	GAURNIZIONE COPERCHIO	JOINT COUVERCLE	1
27	PAF15-07050001	834954	TAPA BALANCINES	COVER, CYLINDER HEAD	COPERCHIO PUNTERIE	CACHE CULBUTEUR	1
28	PAGB/T97.1-6		ARANDELA	WASHER, PLATE	RONDELLA	RONDELLE	7
29	PAGB/T5783-M6X20	825702	TORNILLO	BOLT	VITE	VIS	4
30	PAF4-04000008	25-825492	TÓRICA	O-RING	O-RING	JOINT TORIQUE	1
31	PAF15-07050004	825490	TAPÓN ACEITE	PLUG, OIL	TAPPO OLIO	BOUCHON REMPLISSAGE D'HUILE	1
32	PAF15-10030001		ADHESIVO 4	MARK 4	ADESIVO 4	AUTOCOLLANT 4	1
33	PAF15-07040001	850838	VÁLVULA ADMISIÓN	VALVE, INTAKE	VALVOLA ASPIRAZIONE	SOUPAPE D ADMISSION	2
34	PAF15-07040002	850839	VÁLVULA ESCAPE	VALVE, EXHAUST	VALVOLA SCARICO	SOUPAPE D'ÉCHAPPEMENT	2
35	PAF15-07040004	855959	ARANDELA DE ASIENTO	SEAT, VALVE SPRING	RONDELLA BASAMENTO	SIEGE RESSORT DE SOUPAPE	4
36	PAPS2700.04.03	26-822647	RETÉN	SEAL, VALVESTEM	GUARNIZIONE	JOINT SPI	4
37	PAF15-07040005	24-850840	MUELLE	SPRING, VALVE	MOLLA	RESSORT	4
38	PAF15-07050006	822650	RETÉN RESORTE	SPRING, VALVE RETAINER	VALVOLA DI RITEGNO	JOINT DE RESSORT	4
39	PAF15-07040007	28-822651	SEGURO DE VÁLVULA	CLAMP, VALVE	BLOCCAGGIO DI VALVOLA	CLAVETTE DE SOUPAPE	8
40	PAF15-07040304	11-826150	TUERCA	LOCK NUT	DADO	ÉCROU	4
41	PAF15-07040303	10-825046	TORNILLO REGULADOR	SCREW, VALVE ADJUSTING	VITE REGOLATORE	VIS POINTEAU	4
42	PAF15-07040301	825451	BALANCÍN	VALVE ROCKER	BILANCIERE	CULBUTEUR	4
43	PAF15-07040014	24-825452	MUELLE	SPRING, ROCKER	MOLLA	RESSORT	3
44	PAF15-07040009	880135	CASQUILLO	BUSHER	GOMMINO	DOUILLE	1
45	PAF15-07040013	24-825453	MUELLE	SPRING, ROCKER A	MOLLA	RESSORT	1
46	PAF15-07040015	850842	EJE DE BALANCÍN	SHAFT, ROCKER	ASSE BILANCERE	AXE DE CULBUTEUR	2
47	PAF15-07040012	825451	CASQUILLO B	BUSHER B	GOMMINO B	BAGUE B	1
48	PAF15-07040011	880134	CASQUILLO A	BUSHER A	GOMMINO A	BAGUE A	1
49	PAF15-07000000	802733A98	MOTOR COMPLETO	POWER HEAD COMPLETE	MOTORE COMPLETO	MOTEUR COMPLET	1



	REF	OEM					UN.
1	PAF4-04000019	825666001	CHAVETA	KEY, MAGNETO	CIAVETTA	CLAVETTE	1
2	PAT3.6-04000006	95229	CHAVETA	KEY, DRIVE PULLEY	CIAVETTA	CLAVETTE	1
3	PAF4-04000030	95395	MUELLE TUBO COMBUSTIBLE	SPRING, FUEL PIPE	MOLLA TUBO COMBUSTIBILE	RESSORT, TUYAU DE CARBURANT	2
4	REC855676002	855676002	TERMOSTATO 60°	THERMOSTAT 60°	TERMOSTATO 60°	THERMOSTAT 60°	1
5	PAF8-05010005	853702005	JUNTA TERMOSTATO	THERMOSTAT GASKET	GUARNIZIONE TERMOSTATO	JOINT DE THERMOSTAT	1
6	PAF8-05030015	895118	ARANDELA	WASHER	RONDELLA	RONDELLE	1
7	PAF8-05030400	834973001	POLEA DE CORREA	DRIVER PULLEY	PULEGGIA	POULIE	1
8	PAF8-05030011	825455001	RETÉN ACEITE	OIL SEAL	PARAOLIO	JOINT SPI	1
9	NGKDCPR6E	803507	BUJÍA	SPARK PLUG	CANDELA	BOUGIE	1
10	PAF8-05000024	851848003	MANGUERA	HOSE	TUBO	TUYAU	1
11	PAGB/T5783-M6X16	16832	TORNILLO M6X16	BOLT M6X16	VITE M6X16	VIS M6X16	1
12	TEN00823	823912	ÁNODO	ANODE	ANODO	ANODE	1
13	REC35-822626Q03	822626K03	FILTRO ACEITE	OIL FILTER	FILTRO OLIO	FILTRE À HUILE	1
14	PAGB/T5783-M6X12	8230427	TORNILLO M6X12	BOLT M6X12	VITE M6X12	VIS M6X12	1
15	PAGB/T5783-M8X35	879194192	TORNILLO M8X35	BOLT M8X35	VITE M8X35	VIS M8X35	1



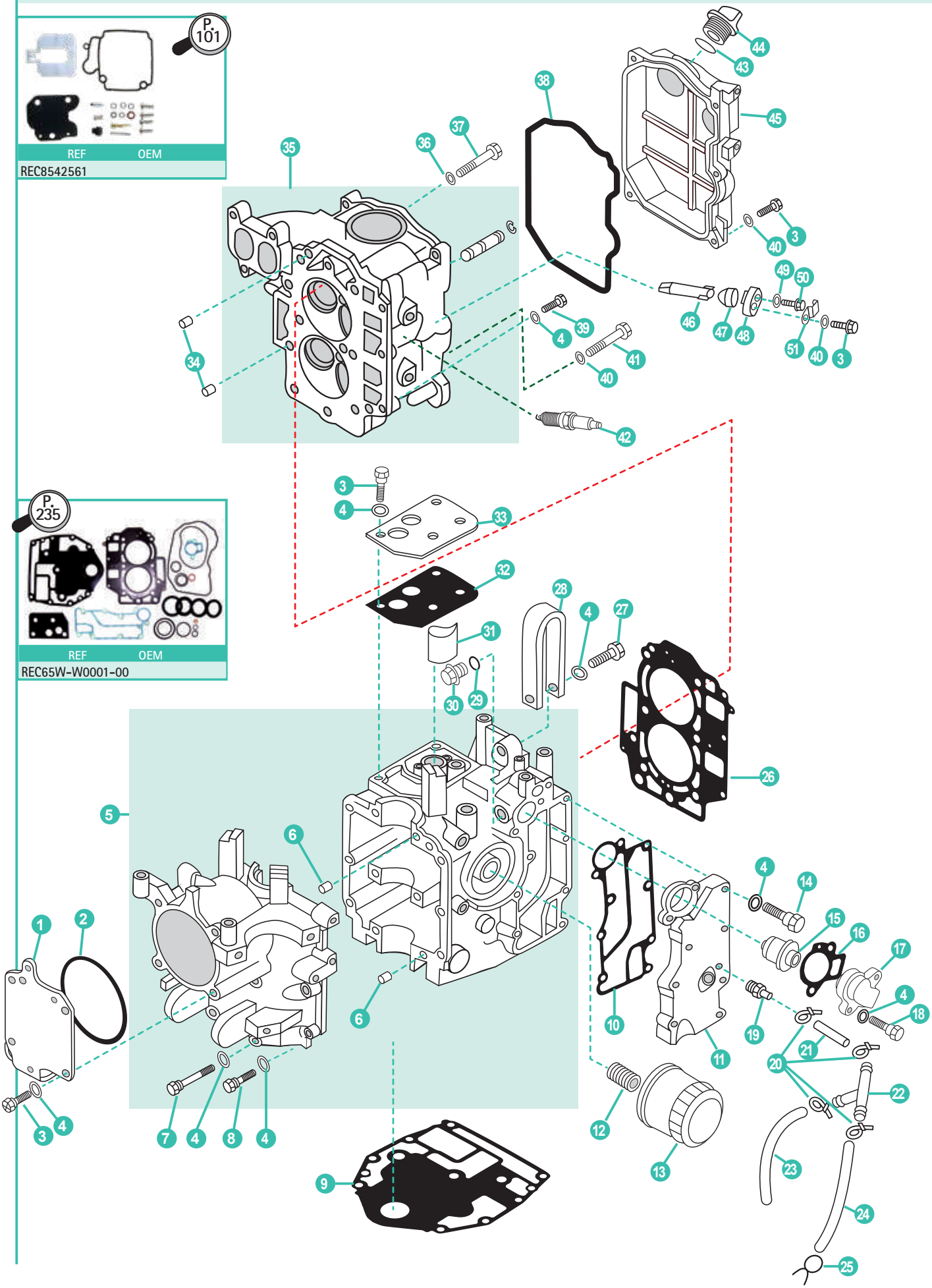
4T 25 HP (9973100+)
STROKES

P 101

REF	OEM
REC8542561	

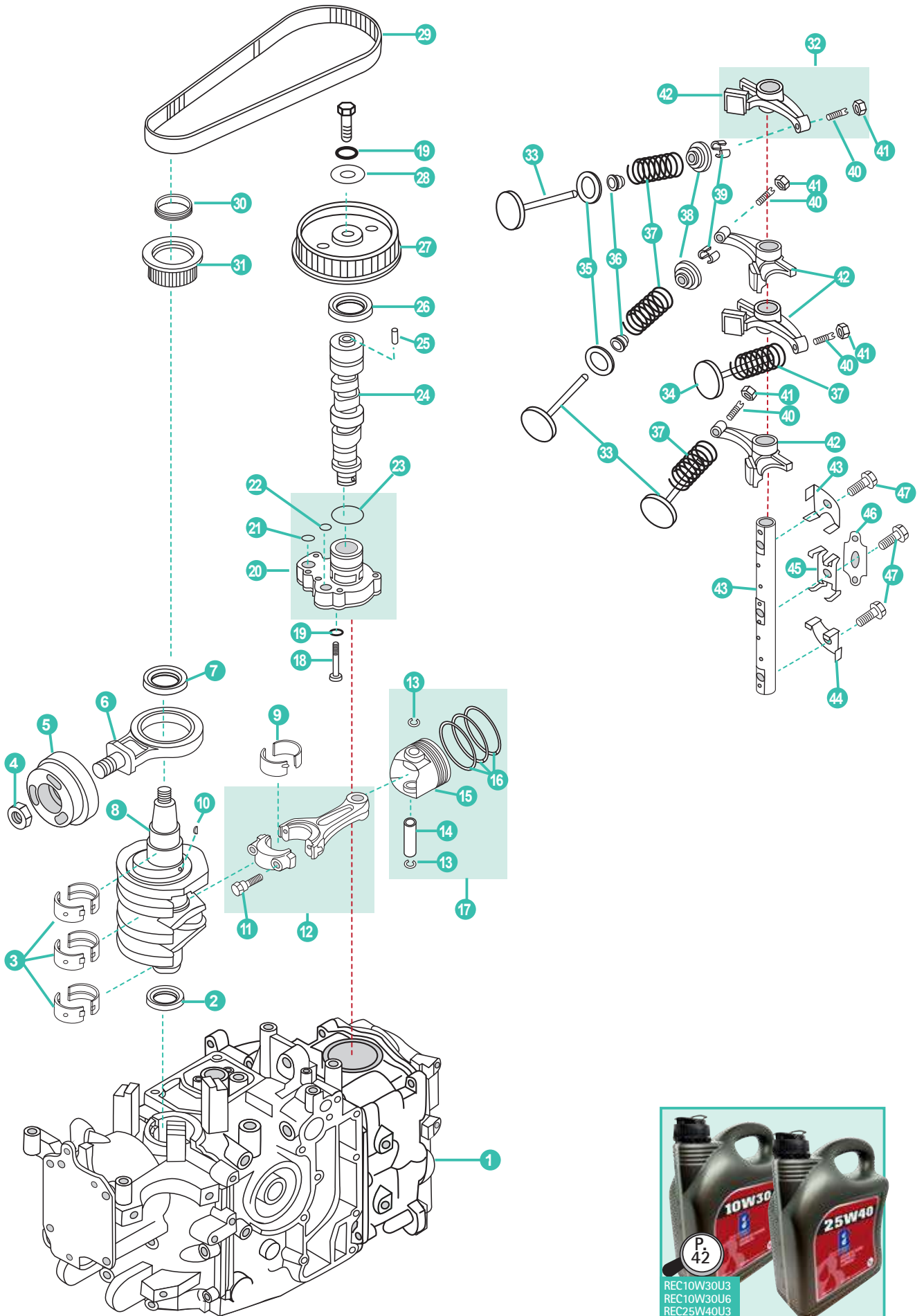
P 235

REF	OEM
REC65W-W0001-00	



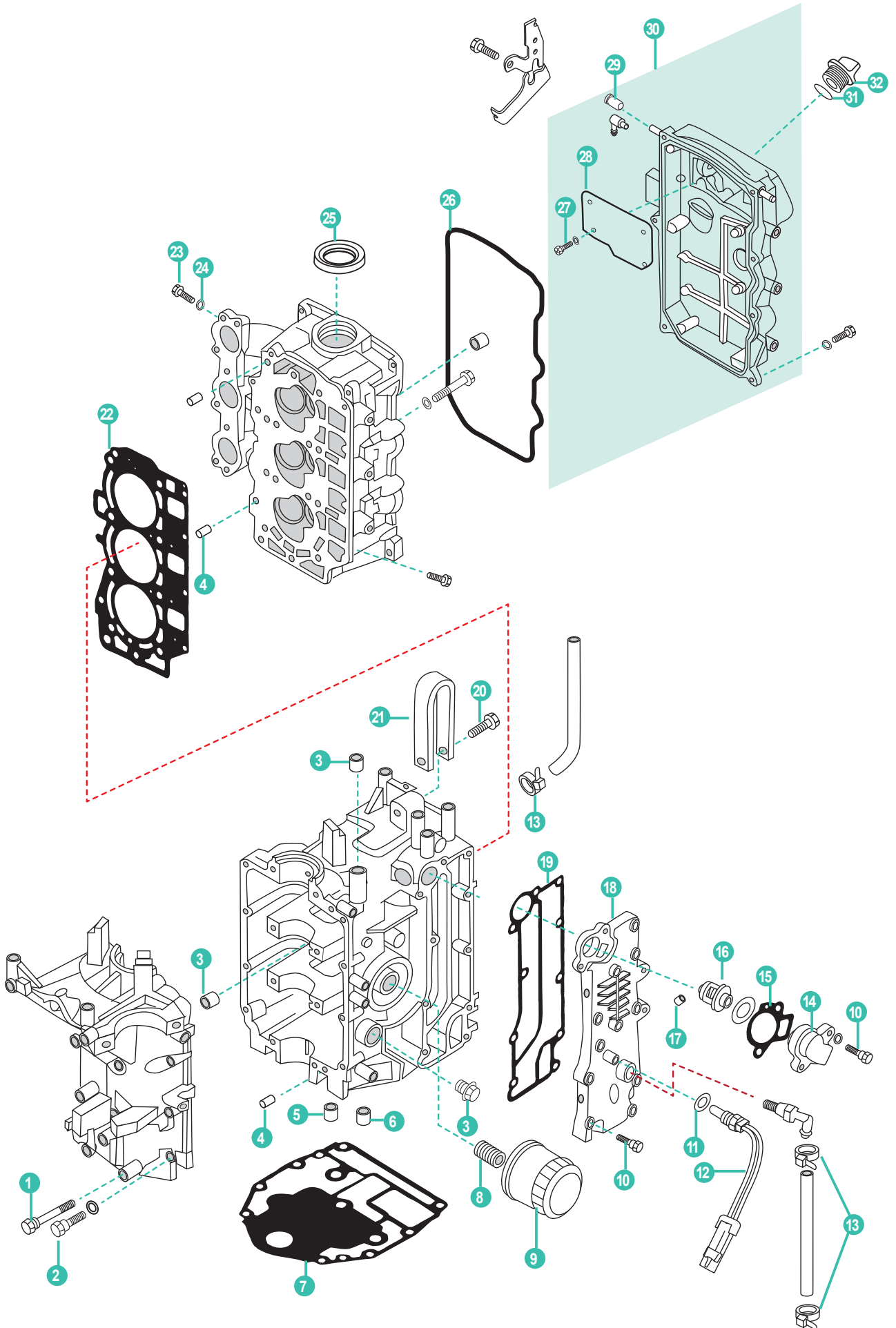
	REF	OEM				UN.	
1	PAF25-05000007	8556692	TAPA	COVER	COPERCHIO	COUVERCLE	1
2	PAGBT3452.1-97.5X1.8	25-854722	JUNTA	SEAL	GUARNIZIONE	JOINT	1
3	PAGB/T5783-M6X20	10-40011128	TORNILLO M6X20	BOLT M6X20	VITE M6X20	VIS M6X20	15
4	PAGB/T97.1-8		ARANDELA	WASHER 6	RONDELLA	RONDELLE	34
5	PAF25-05010000	2806-0830267T3	BLOQUE MOTOR COMPLETO	CRANKCASE ASSY	BLOCCO MOTORE COMPLETO	CARTER BLOC MOTEUR	1
6	PAF25-00000014	17-825010	PIN CENTRADOR	HOLLOW PIN	SPINOTTO DI CENTRAGGIO	PIN DE CENTRAGE	2
7	PAGB/T5782-M8X80	10-82506182	TORNILLO M8X80	BOLT M8X80	VITE M8X80	VIS M8X80	6
8	PAGB/T5782-M6X35	10-88348935	TORNILLO M6X35	BOLT M6X35	VITE M6X35	VIS M6X35	6
9	PAF25-00000013	27-8252310	JUNTA BASE MOTOR	GASKET ENGINE	GUARNIZIONE BASE MOTORE	JOINT DE TETE MOTRICE	1
10	PAF25-05010111	27-830298	JUNTA EXTERIOR, TAPA DE ESCAPE	GASKET, EXHAUST OUTER COVER	GUARNIZIONE ESTERIORE, COPERCHIO SCARICO	JOINT DE COUVERCLE EXT ECHAPPEMENT	1
11	PAF25-05010112	883336T1	TAPA EXTERIOR DE ESCAPE	OUTTER COVER, EXHAUST	COPERCHIO SCARICO	COUVERCLE D'ECHAPPEMENT	1
12	PAF15-07010003	822625	TORNILLO	BOLT, UNION	VITE	VIS	1
13	PAF25-05000100	35-822626Q04	FILTRO ACEITE	OIL FILTER	FILTRO DELL'OLIO	FILTRE À HUILE	1
14	REC5GH-13440-00		FILTRO ACEITE	OIL FILTER	FILTRO DELL'OLIO	FILTRE À HUILE	1
15	PAGB/T5783-M6X35	10-88348935	TORNILLO	BOLT	VITE	VIS	7
16	PAF15-07000031	825212	TERMOSTATO	THERMOSTAT	TERMOSTATO	THERMOSTAT	1
17	PAF15-07010022	27-824853	JUNTA TAPA TERMOSTATO	GASKET, THERMOSTAT COVER	GUARNIZIONE COPERCHIO TERMOSTATO	JOINT COUVERCLE DE THERMOSTAT	1
18	PAF15-07010021	8250311	TAPA TERMOSTATO	COVER, THERMOSTAT	COPERCHIO TERMOSTATO	COUVERCLE DE THERMOSTAT	1
19	PAGB/T5783-M6X25	10-88348935	TORNILLO M6X25	BOLT M6X25	VITE M6X25	VISM6X25	2
20	PAF25-05010113	22-996642	NIPLE DE MANGUERA	NIPPLE	TUBO	RACCORD D'EAU	1
21	PAHT-2.5x60		BRIDA	CLAMP	FLANGIA	COLLIER	5
22	PAF25-03000008		TUBO DE AGUA	WATER TUBE	TUBO DELL'ACQUA	DURITE D'EAU	1
23	PAF15-05000011		CONECTOR DE 3 VÍAS	THREE-WAY PIPE	CONNETTORE T	RACCORD EN TE	1
24	PAF25-03000009		TUBO DE AGUA	WATER TUBE	TUBO DELL'ACQUA	DURITE D'EAU	1
25	PAF25-03000011		TUBO DE AGUA	WATER TUBE	TUBO DELL'ACQUA	DURITE D'EAU	1
26	PAF4-04000030		MUELLE TUBO COMBUSTIBLE B	SPRING, FUEL PIPE B	MOLLA TUBO COMBUSTIBILE B	RESSORT, TUYAU DE CARBURANT B	1
27	PAF25-05040000	27-830270	JUNTA CULATA	GASKET, CYLINDER HEAD	GUARNIZIONE TESTATA	JOINT DE CULASSE	1
28	PAGB/T5782-M8X35	10-857139	TORNILLO	BOLT, HEXAGON	VITE	VIS	1
29	PAF25-05010106	8525601	SOPORTE	HANGER, ENGINE	SUPPORTO	CROCHET LEVAGE MOTEUR	1
30	PAF15-04000003		ARANDELA	WASHER	RONDELLA	RONDELLE	1
31	PAF15-04000002	22-479452	TORNILLO DRENAJE	BOLT, DISCHARGING OIL	VITE DRENAGGIO	VIS DE VIDANGE	1
32	PAF25-05010107	35-8548091	FILTRO ACEITE	OIL FILTER	FILTRO DELL'OLIO	FILTRE À HUILE	1
33	PAF25-05010108	27-8547801	JUNTA DE CUBIERTA	GASKET, BREATHER	GUARNIZIONE COPERCHIO	JOINT DE PLAQUE	1
34	PAF25-05010109	832734A2	CUBIERTA DE RESPIRADERO	COVER, BREATHER	COPERCHIO	PLAQUE	1
35	PAF25-00000014	17-825010	PIN CENTRADOR	HOLLOW PIN	SPINOTTO DI CENTRAGGIO	PIN DE CENTRAGE	2
36	PAF25-05050100	830271T2	CULATA	CYLINDER HEAD	TESTATA	CULASSE	1
37	PAF25-05050007	27-827610	JUNTA	GASKET	GUARNIZIONE	JOINT	1
38	PAF25-05050006	10-827607	TORNILLO	BOLT	VITE	VIS	1
39	PAF25-05000004	25-833103	JUNTA TAPA	GASKET, COVER	GAURNIZIONE COPERCHIO	JOINT COUVERCLE	1
40	PAGB/T5783-M6X25	10-82500925	TORNILLO	BOLT, HEXAGON	VITE	VIS	6
41	PAF25-05000003		ARANDELA	WASHER, PLATE	RONDELLA	RONDELLE	10
42	PAF25-05000002	10-82503395	TORNILLO	BOLT, FLANGE	VITE	VIS	9
43	NGKDPR7EA-9	33-827858	BUJÍA	SPARK-PLUG	CANDELA	BOUGIE	2
44	PAJASOF40431-025	25-825492	TÓRICA	O-RING	O-RING	TORIQUE	1
45	PAF15-07050004	825490	TAPÓN ACEITE	PLUG, OIL	TAPPO OLIO	BOUCHON REMPLISSAGE D'HUILE	1
46	PAF25-05000005	830272A1	TAPA BALANCINES	COVER, CYLINDER HEAD	COPERCHIO PUNTERIE	CACHE CULBUTEUR	1
47	PAF25-02010005	826887M	ÁNODO	ANODE	ANODO	ANODE	2
48	PAF15-07010009	25-825040	ALOJAMIENTO ÁNODO	GROMMET, ANODE	ALLOGGIAMENTO ANODO	JOINT D'ANODE	2
49	PAF15-07010011		TAPA	COVER, ANODE	COPERTURA ANODO	COUVERCLE D'ANODE	2
50	PAGB/T97.1-5		ARANDELA	WASHER, PLATE	RONDELLA	RONDELLE	2
51	PAGB/T5783-M5X12		TORNILLO	BOLT, HEXAGON	VITE	VIS	2
52	PAF15-07010012		PLETINA	PLATE, ANODE	PIASTRA ANODO	PLAQUE	2

4T 25 HP (9973100+)
STROKES

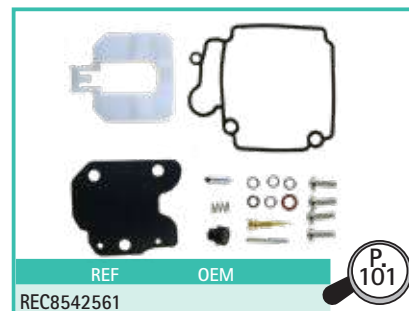
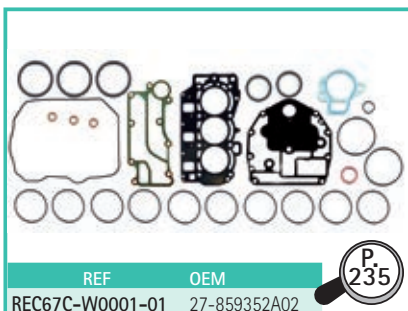


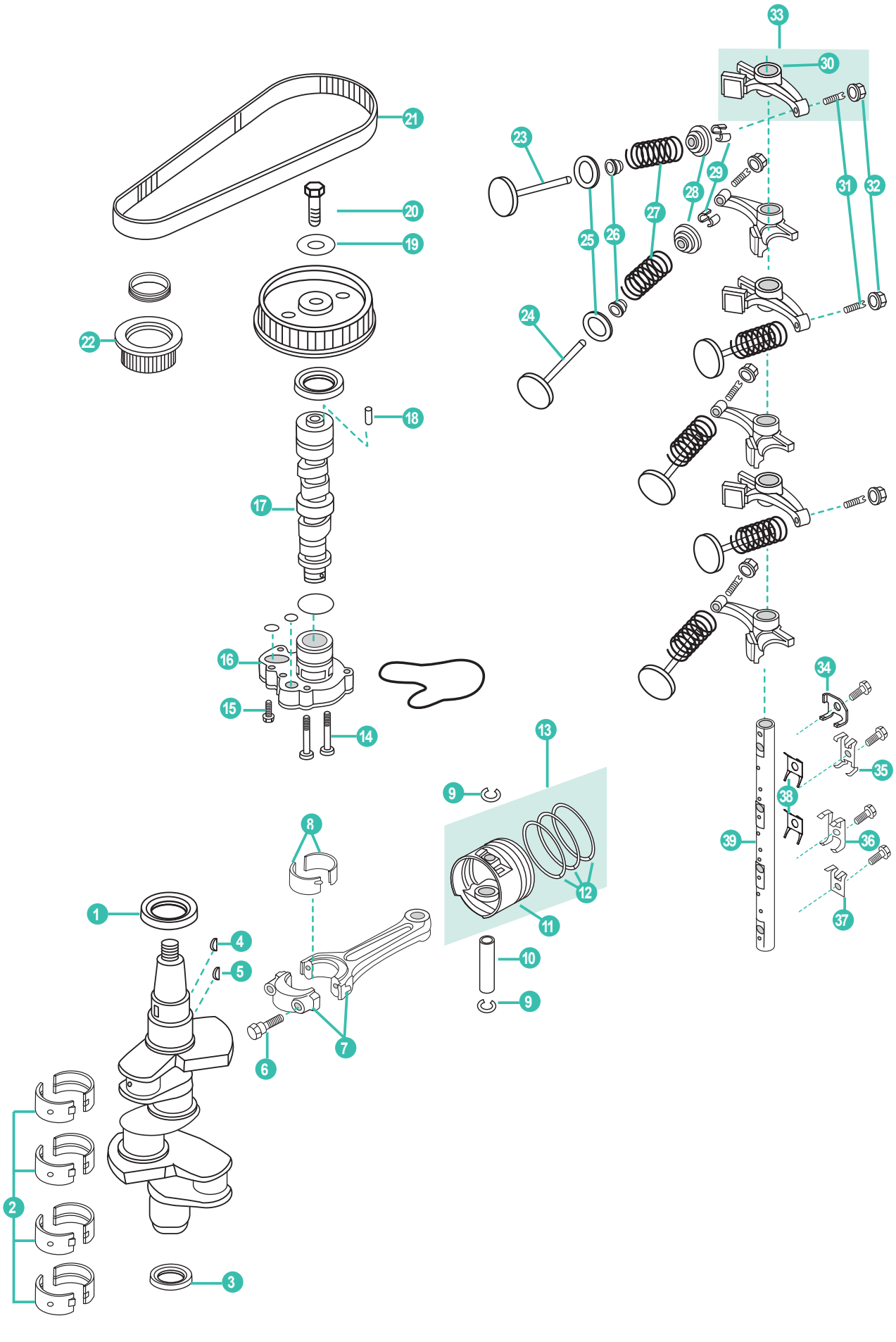
REC10W30U3
REC10W30U6
REC25W40U3

	REF	OEM				UN.	
1	POWERHEAD20-25		MOTOR	COMPLETE, POWER	BLOCCO COMPLETO	TÊTE MOTRICE	1
2	PAF25-05020002	26-832013	RETÉN	OIL-SEAL	GUARNIZIONE	JOINT SPI	1
3	PAF25-05010302-1	23-825024	COJINETE BANCADA BROWN	MAIN BEARING BROWN	CUSCINETTO BROWN	PALIER DE VILEBREQUIN MARRON	6
3	PAF25-05010302-2	23-8250241	COJINETE BANCADA BLACK	MAIN BEARING BLACK	CUSCINETTO BLACK	PALIER DE VILEBREQUIN NOIR	6
4	PAF25-05000026	11-81773M	TUERCA	LOCK NUT	DADO	ÉCROU	1
5	PAF25-05020301	701-8318751	PISTÓN, CONTRA	PISTON, BALANCE	PISTONE, CONTRO	PISTON D'EQUILIBRAGE	1
6	PAF25-05020310	652-831876A1	BIELA, CONTRO	CON-ROD ASSY, BALANCE	BIELLA, CONTRO	BIELLE D'EQUILIBRAGE	1
7	PAF25-05020003	26-825027	RETÉN	OIL SEAL	PARAOLIO	JOINT SPI	1
8	PAF25-05020001	2417-830269A1	CIGÜEÑAL	CRANK ASSY	ALBERO MOTORE	VILEBREQUIN	1
9	PAF25-05020203-1	23-825021	COJINETE BIELA	BEARING, CONNECTING ROD	CUSCINETTO BIELLA	COUSSINET DE BIELLE	2
9	PAF25-05020203-2	23-8250212	COJINETE BIELA	BEARING, CONNECTING ROD	CUSCINETTO BIELLA	COUSSINET DE BIELLE	2
10	PAF4-04000019	28-18856M	CUÑA	KEY WOODRUFF	CHIAVETTA	CLAVETTE	1
11	PAF25-05020204	10-825010	TORNILLO	BOLT, CONNECTING ROD	VITE	VIS	2
12	PAF25-05020200	650-825018A1	BIELA	CONNECTING ROD	BIELLA	BIELLE	2
13	PAF25-05020106	40-825017	CLIP	CIRCLIP	CLIP	CLIPS	4
14	PAF25-05020105	41-825016	PIN, PISTÓN	PIN, PISTON	SPINOTTO PISTONE	AXE DE PISTON	2
15	PAF25-05020101	702-833098A1	PISTÓN	PISTON	PISTONE	PISTON	2
16	REC67C-11603-00		KIT SEGMENTOS DE PISTÓN	PISTON RING KIT	KIT FASCIA PISTONE	KIT SEGMENTS	2
17	PAF25-05020100		PISTÓN COMPLETO	PISTON ASSY	PISTONE COMPLETO	PISTON COMPLET	2
18	PAGB/T5782-M6X125		TORNILLO	BOLT	VITE	VIS	4
19	PAGB/T97.1-8		ARANDELA	WASHER , PLATE	RONDELLA	RONDELLE	5
20	PAF25-05050400	852388A1	BOMBA ACEITE COMPLETA	OIL PUMP ASSY	POMPA DELL'OLIO COMPLETA	POMPE À HUILE COMPLÈTE	1
21	PAF25-05050014	25-826154	TÓRICA B	O-RING B	O-RING B	JOINT TORIQUE B	1
22	PAF25-05050013	25-826153	TÓRICA A	O-RING A	O-RING A	JOINT TORIQUE A	1
23	PAF25-05050015	25-826152	TÓRICA C	O-RING C	O-RING C	JOINT TORIQUE C	1
24	PAF25-05050200	2419-82500935	ÁRBOL DE LEVAS	CAMSHAFT ASSY	ALBERO A CAMME	ARBRE À CAMES	1
25	PAF25-05050016	17-825956	PIN CENTRADOR	HOLLOW PIN	SPINOTTO DI CENTRAGGIO	PIN DE CENTRAGE	1
26	PAF25-05050021	26-825048	RETÉN	OIL SEAL	PARAOLIO	JOINT SPI	1
27	PAF25-05050017	833104	POLEA DE CORREA	BELT PULLEY, DRIVEN	PULEGGIA CINGHIA	POULIE DE COURROIE	1
28	PAF25-05050018	12-4002319	ARANDELA	WASHER, PLATE	RONDELLA	RONDELLE	1
29	REC65W-46241-00	831294	CORREA DISTRIBUCIÓN	BELT, TIMING	CINGHIA DISTRIBUZIONE	COURROIE DISTRIBUTION	1
30	PAF25-05000022		MUELLE	BUSH, SPRING	MOLLA	RESSORT	1
31	PAF25-05000021	833102	ENGRANAJE DE DISTRIBUCIÓN	BELT PULLEY, TIMING	PULEGGIA DE DISTRIBUZIONE	POULIE DE DISTRIBUTION	1
32	PAF25-05050300		BALANCÍN COMPLETO	ROCKET ASSY	BILANCERE COMPLETO	CULBUTEUR COMPLET	4
33	PAF25-05050002	832990	VÁLVULA ESCAPE	VALVE, EXHAUST	VALVOLA SCARICO	SOUPAPE D'ÉCHAPPEMENT	2
34	PAF25-05050001	822649	VÁLVULA ADMISIÓN	VALVE, INTAKE	VALVOLA ASPIRAZIONE	SOUPAPE D'ADMISSION	2
35	PAF25-05050003	12-825044	ARANDELA ASIENTO	SEAT, VALVE SPRING	RONDELLA BASAMENTO	SIEGE RESSORT DE SOUPAPE	4
36	PAF166-010003	26-822647	RETÉN DE ACEITE	OIL SEAL	PARAOLIO	JOINT SPI	4
37	PAF25-05050005	24-823678	MUELLE DE VÁLVULA	SPRING, VALVE STEM	MOLLA DI VALVOLA	RESSORT DE SOUPAPE	4
38	PAF15-07040006	822650	RETÉN RESORTE	SPRING, VALVE RETAINER	VALVOLA DI RITEGNO	JOINT DE RESSORT	4
39	PAF15-07040007	28-822651	SEGURO DE VÁLVULA	CLAMP, VALVE	BLOCCAGGIO DI VALVOLA	CLAVETTE DE SOUPAPE	8
40	PAF15-07040303	10-825046	TORNILLO REGULADOR	SCREW, VALVE ADJUSTING	VITE REGOLATORE	VIS POINTEAU	4
41	PAF15-07040304	11-826150	TUERCA	NUT	GHIERA	ÉCROU	4
42	PAF25-05050301	825045A2	BALANCÍN	VALVE ROCKER	BILANCERE	CULBUTEUR	4
43	PAF25-05050008	830274	EJE DE BALANCÍN	SHAFT, ROCKER	ASSE BILANCERE	AXE DE CULBUTEUR	1
44	PAF25-05050009	825050	PLETINA	PLATE, BOLT STOPPER	PIASTRINA	PLAQUE	2
45	PAF25-05050011	24-825052	RESORTE	SPRING	MOLLA	RESSORT	1
46	PAF25-05050012	24-825052	PLETINA	PLATE B, BOLT STOPPER	PIASTRINA	PLAQUE	1
47	PAF25-05050019	10-82641030	TORNILLO	BOLT	VITE	VIS	3



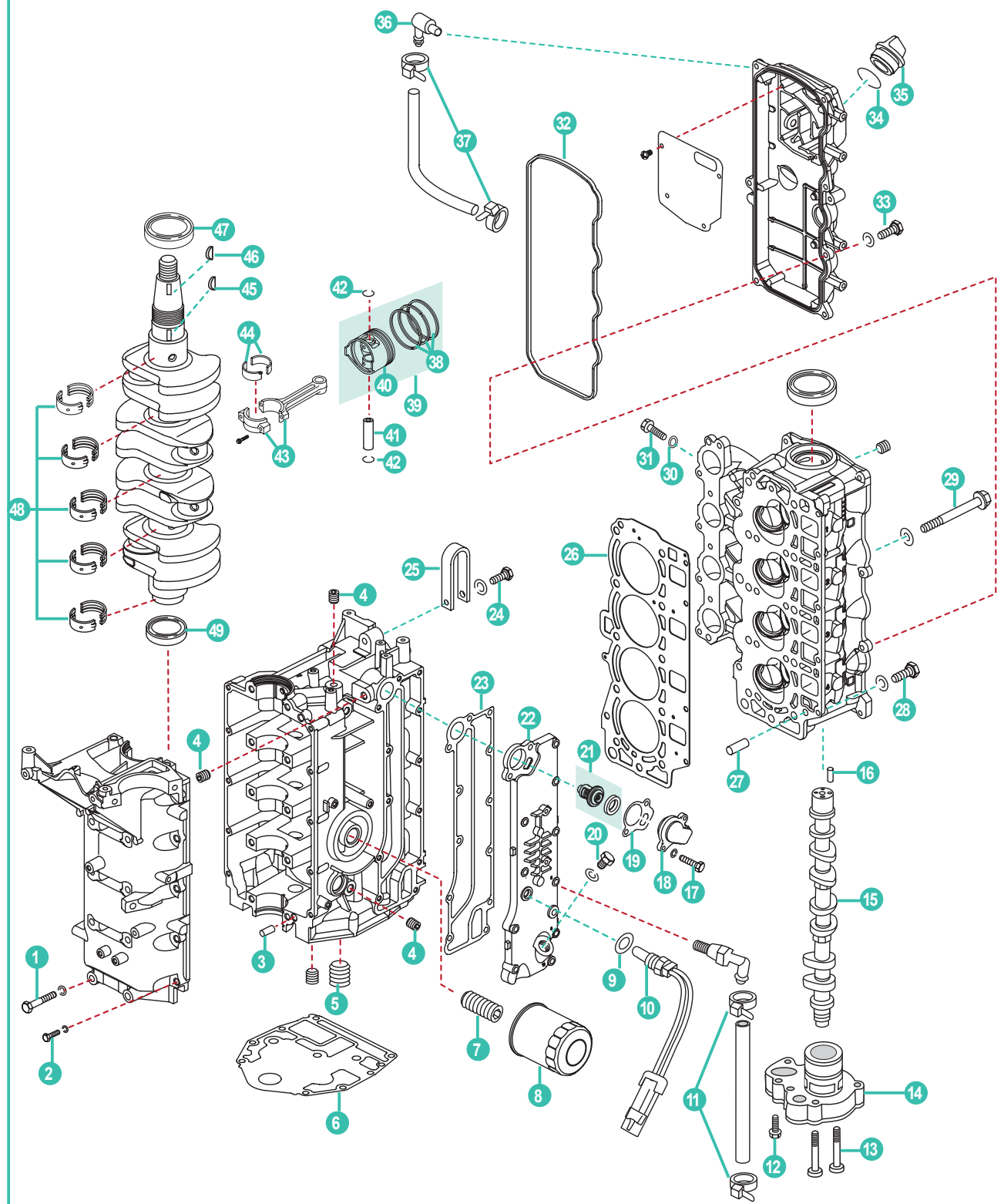
	REF	OEM				UN.	
	PAF40-05010000	893500T02	CILINDRO COMPLETO	CRANKCASE ASSY	BLOCCO MOTORE COMPLETO	CARTER BLOC MOTEUR	1
1	PAF25-05000035	82506182	TORNILLO	STUD	BULLONE	BOULON	8
2	PAF15-07000030	88348935	TORNILLO	STUD	BULLONE	BOULON	8
3	PAF15-07010004	479452	TORNILLO DRENAJE	BOLT, DISCHARGING OIL	VITE DRENAGGIO	BOUCHON DE VIDANGE	3
4	PAF25-00000014	825010	PIN CENTRADOR	HOLLOW PIN	SPINOTTO DI CENTRAGGIO	PIN DE CENTRAGE	2
5	PAF25-05010104	384073	TAPÓN 1/2"	JAM 1/2"	TAPPO 1/2"	BOUCHON 1/2"	1
6	PAF25-05010103	416223	TAPÓN 3/4"	JAM 3/4"	TAPPO 3/4"	BOUCHON 3/4"	1
7	REC67C-11351-00	892319001	JUNTA BASE MOTOR	GASKET ENGINE	GUARNIZIONE BASE MOTORE	JOINT DE TETE MOTRICE	1
8	PAF15-07010003	822625	TORNILLO, UNIÓN	BOLT, UNION	VITE, UNIONE	VIS UNION	1
9	REC35-822626Q04	822626K04	FILTRO ACEITE	OIL FILTER	FILTRO OLIO	FILTRE À HUILE	1
10	PAGB/T5783-M6X35	88348935	TORNILLO M6X35	SCREW M6X35	VITE M6X35	VIS M6X35	10
11	REC25-62702	627021	TÓRICA	O-RING	O-RING	JOINT TORIQUE	1
12	PAF40-05000400	889575	SENSOR	SENSOR	SENSORE	SONDE DE TEMPERATURE	1
13	PAHT-2.5X60	816311T	BRIDA	CLAMP	FASCETTA	COLLIER	3
14	PAF15-07010021	8M0008243	TAPA TERMOSTATO	COVER, THERMOSTAT	COPERCHIO TERMOSTATO	COUVERCLE DE THERMOSTAT	1
15	PAF15-07010022	824853	JUNTA TAPA TERMOSTATO	GASKET, THERMOSTAT COVER	GUARNIZIONE COPERCHIO TERMOSTATO	JOINT COUVERCLE DE THERMOSTAT	1
16	PAF15-07000031	825212001	TERMOSTATO	THERMOSTAT	TERMOSTATO	THERMOSTAT	1
17	PAF15-07010004	479452	TAPÓN 1/8"	JAM 1/8"	TAPPO 1/8"	BOUHON 1/8"	1
18	PAF40-05000005	893691T02	TAPA DE ESCAPE	EXHAUST OUTER COVER	COPERCHIO SCARICO	COUVERCLE ECHAPPEMENT	1
19	REC67C-41114-00	834775005	JUNTA EXTERIOR, TAPA DE ESCAPE	GASKET, EXHAUST OUTER COVER	GUARNIZIONE ESTERIORE, COPERCHIO SCARICO	JOINT DE COUVERCLE EXT ECHAPPEMENT	1
20	PAGB/T5783-M8X35	857139	TORNILLO	SCREW	VITE	VIS	1
21	PAF40-05000011	893697	SOPORTE	POTHOOK, ENGINE	SUPPORTO	CROCHET DE LEVAGE MOTEUR	1
22	REC67C-11181-01	834777	JUNTA CULATA	GASKET, CYLINDER HEAD	GUARNIZIONE TESTATA	JOINT DE CULASSE	1
23	PAGB/T5783-M6X8	400325	TORNILLO M6X8	SCREW M6X8	VITE M6X8	VIS M6X8	3
24	PAF25-05050007	893586	ARANDELA	WASHER	RONDELLA	RONDELLE	3
25	PAF25-05050021	893549	RETÉN	OIL SEAL	PARAOLIO	JOINT SPI	1
26	PAF40-05000002	854341	TÓRICA	O-RING	O-RING	JOINT TORIQUE	1
27	PAGB/T818-M4X10	4005685	TORNILLO M4X10	SCREW M4X10	VITE M4X10	VIS M4X10	1
28	PAF40-05070003	855236	PLACA	PLATE, BREATHER	PIASTRA	PLAQUE CACHE CULBUTEUR	1
29	PAF40-05070002	825054	CONECTOR	CONNECTOR, BREATHER	CONNETTORE	CONNECTEUR	1
30	PAF40-05070000	893693A04	TAPA COMPLETA, CILINDRO	COVER ASSY, CYLINDER HEAD	COPERCHIO COMPLETO,	CACHE CULBUTEUR	1
31	PAJASOF404-35-025	90196	TÓRICA	O-RING	O-RING	JOINT TORIQUE	1
32	PAF15-07050004	859578A1	TAPÓN	PLUG	TAPPO	BOUCHON	1





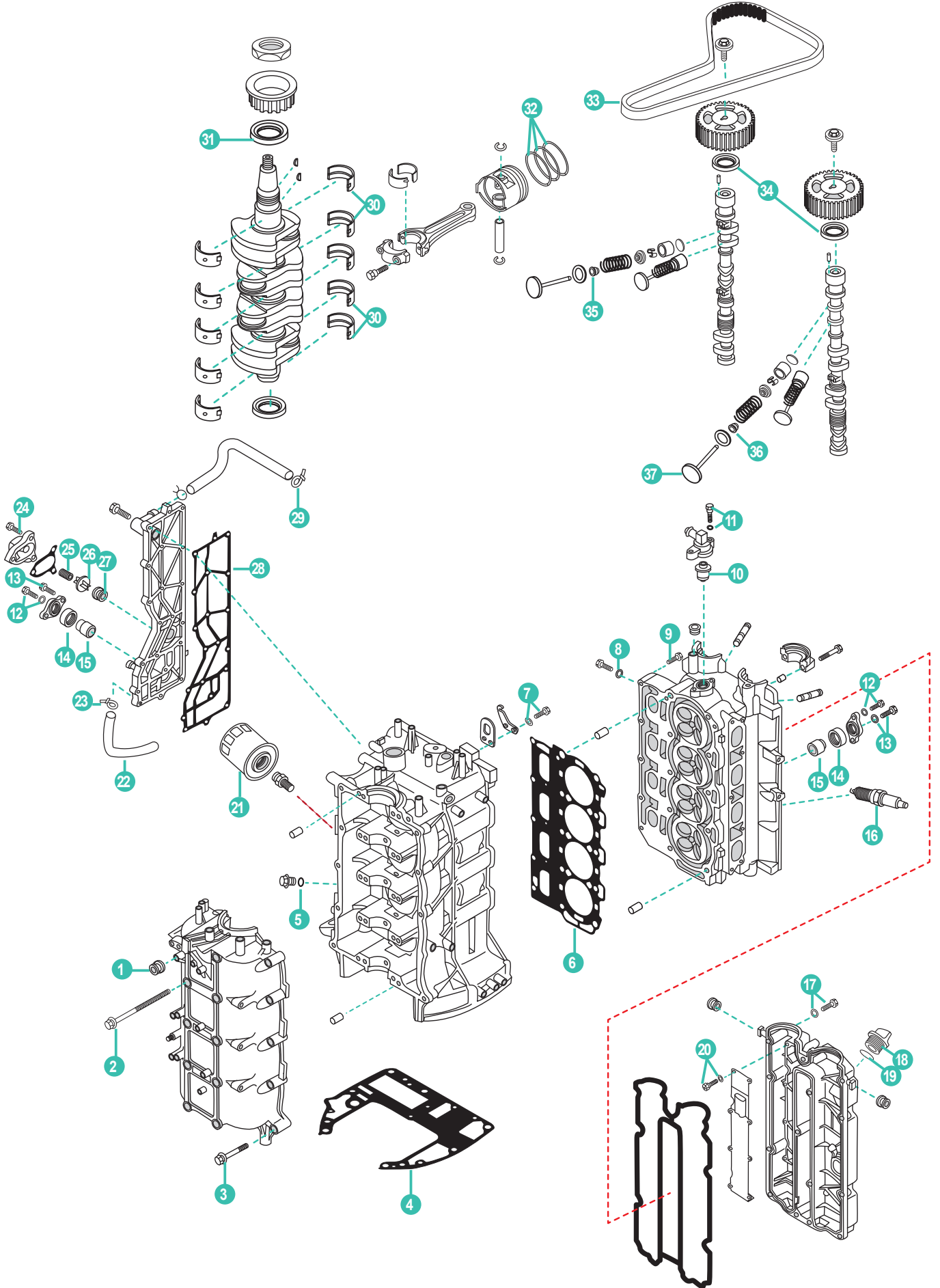
	REF	OEM					UN.
1	PAF25-05020003	825027	RETÉN DE ACEITE	OIL SEAL	PARAOLIO	JOINT SPI	1
2	PAF25-05010302-1	893631001	COJINETE BANCADA BROWN	MAIN BEARING BROWN	CUSCINETTO BROWN	PALIER DE VILEBREQUIN BROWN	8
	PAF25-05010302-2	893631	COJINETE BANCADA BLACK	MAIN BEARING BLACK	CUSCINETTO BLACK	PALIER DE VILEBREQUIN BLACK	8
3	PAF25-05020002	832013	RETÉN DE ACEITE	OIL SEAL	PARAOLIO	JOINT SPI	1
4	PAF25-05000024	91800	CHAVETA	KEY WOODRUFF	CHIAVETTA	CLAVETTE	1
5	PAF4-04000019	18856M	CHAVETA	KEY WOODRUFF	CHIAVETTA	CLAVETTE	1
6	PAF25-05020204	825019	TORNILLO	SCREW	VITE	VIS	6
7	PAF25-05020200	856065T1	BIELA COMPLETA	ROD, CONNECTING ASSY	BIELLA COMPLETA	BIELLE COMPLÈTE	3
8	PAF25-05020203-1	893630001	COJINETE DE BIELA BROWN	BEARING, CONNECTING ROD BROWN	CUSCINETTO BIELA BROWN	PALIER DE BIELLE BROWN	6
	PAF25-05020203-2	893630	COJINETE DE BIELA BLACK	BEARING, CONNECTING ROD BLACK	CUSCINETTO BIELA BLACK	PALIER DE BIELLE BLACK	6
9	PAF25-05020106	893529	CIRCLIP	CIRCLIP	CIRCLIP	CIRCLIP	6
10	PAF25-05020105	893863	PIN, PISTÓN	PIN, PISTON	SPINOTTO PISTONE	AXE DE PISTON	3
11	PAF40-05020101	893524T08	PISTÓN	PISTON	PISTONE	PISTON	3
12	REC67C-11603-00	893525A01	KIT SEGMENTOS DE PISTÓN	PISTON RING KIT	KIT FASCIA PISTONE	KIT SEGMENTS	3
13	PAF40-05020100		KIT PISTÓN	PISTON KIT	KIT PISTONE	KIT PISTON	3
14	PAGB/T5782-M6X40	4000333	TORNILLO	SCREW	VITE	VIS	4
15	PAGB/T5783-M6X16	875206	TORNILLO	SCREW	VITE	VIS	2
16	PAF40-05040400	857087T1	BOMBA ACEITE	OIL PUMP	POMPA OLIO	POMPE A HUILE	1
17	PAF40-05040200	834781T1	ÁRBOL DE LEVAS	CAMSHAFT ASSY	ALBERO A CAMME	ARBRE A CAMES	1
18	PAF25-05050016	893581	PIN CENTRADOR	PIN CENTRADOR	SPINOTO CENTRAGGIO	PIN DE CENTRAGE	1
19	PAF25-05050018	4002320	ARANDELA	WASHER	RONDELLA	RONDELLE	1
20	PAGB/T5785-M10X1.25X40		TORNILLO	SCREW	VITE	VIS	1
21	REC65W-46241-00	57-831294	CORREA	BELT PULLEY	CINGHIA	COURROIE	1
22	PAF25-05000021	833102T	ENGRANAJE DE DISTRIBUCIÓN	BELT PULLEY, DRIVEN	PULEGGIA DI DISTRIBUZIONE	POULIE DE DISTRIBUTION	1
23	PAF25-05050002	832991T3	VÁLVULA ESCAPE	VALVE, EXHAUST	VALVOLA SCARICO	SOUPAPE D'ÉCHAPPEMENT	3
24	PAF25-05050001	832990T3	VÁLVULA ADMISIÓN	VALVE, INTAKE	VALVOLA ASPIRAZIONE	SOUPAPE D'ADMISSION	3
25	PAPS2700.04.03		ARANDELA ASIENTO	SEAT, VALVE SPRING	RONDELLA BASAMENTO	SIEGE RESSORT DE SOUPAPE	6
26	PAF25-05050003		RETÉN DE ACEITE	OIL SEAL	PARAOLIO	JOINT SPI	6
27	PAF25-05050005	893552	MUELLE DE VÁLVULA	SPRING, VALVE STEM	MOLLA DI VALVOLA	RESSORT DE SOUPAPE	6
28	PAF15-07040006	893553	RETÉN RESORTE	SPRING, VALVE RETAINER	VALVOLA DI RITEGNO	JOINT DE RESSORT	6
29	PAF15-07040007	893554	SEGURO DE VÁLVULA	CLAMP, VALVE	BLOCCAGGIO DI VALVOLA	CLAVETTE DE SOUPAPE	12
30	PAF25-05050301	825045A2	BRAZO DE BALANCÍN	ARM, VALVE ROCKER	BILANCIERE	CULBUTEUR	1
31	PAF15-07040303	825046	TORNILLO REGULADOR	SCREW, VALVE ADJUSTING	VITE REGOLATORE	VIS POINTEAU	6
32	PAF15-07040304	826150	TUERCA	LOCK NUT	DADO	ÉCROU	6
33	PAF25-05050300		BALANCÍN COMPLETO	ROCKER ASSY	BILANCIERE COMPLETO	CULBUTEUR	6
34	PAF25-05050009	893560	PLACA, TOPE DE PERNO	PLATE, BOLT STOPPER	PIASTRA DE VITE	PLAQUE DE FIXATION	1
35	PAF25-05050011	893562	RESORTE	SPRING	MOLLA	RESSORT	1
36	PAF40-05040003	893561	PLACA EJE DE BALANCINES	FIXED PLATE B, ROCKER SHAFT	PIASTRA, ASSE BILANCIERE	PLAQUE ARBRE DES CULBUTEUR	1
37	PAF40-05040004	854713	RESORTE	SPRING	MOLLA	RESSORT	1
38	PAF40-05040002	893563	RESORTE	SPRING	MOLLA	RESSORT	1
39	PAF40-05040001	834780T1	EJE BALANCINES	SHAFT ROCKER	ASSE BILANCIERE	AXE DE CULBUTEUR	1

4T 30, 40, 50, 60 HP (4 CYL)
STROKES

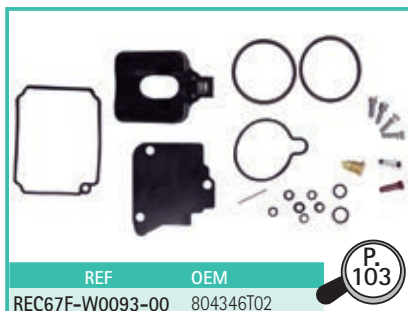
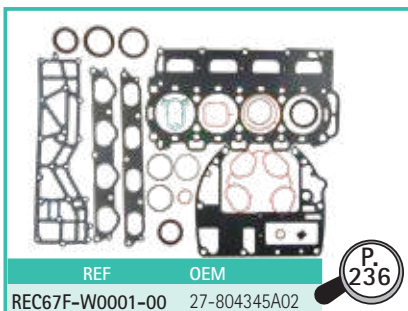


REC10W30U3
REC10W30U6
REC25W40U3

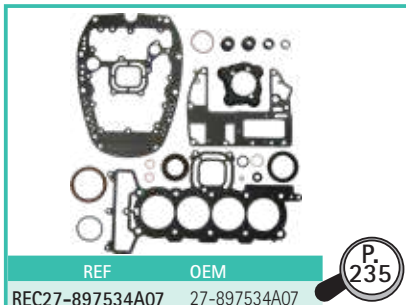
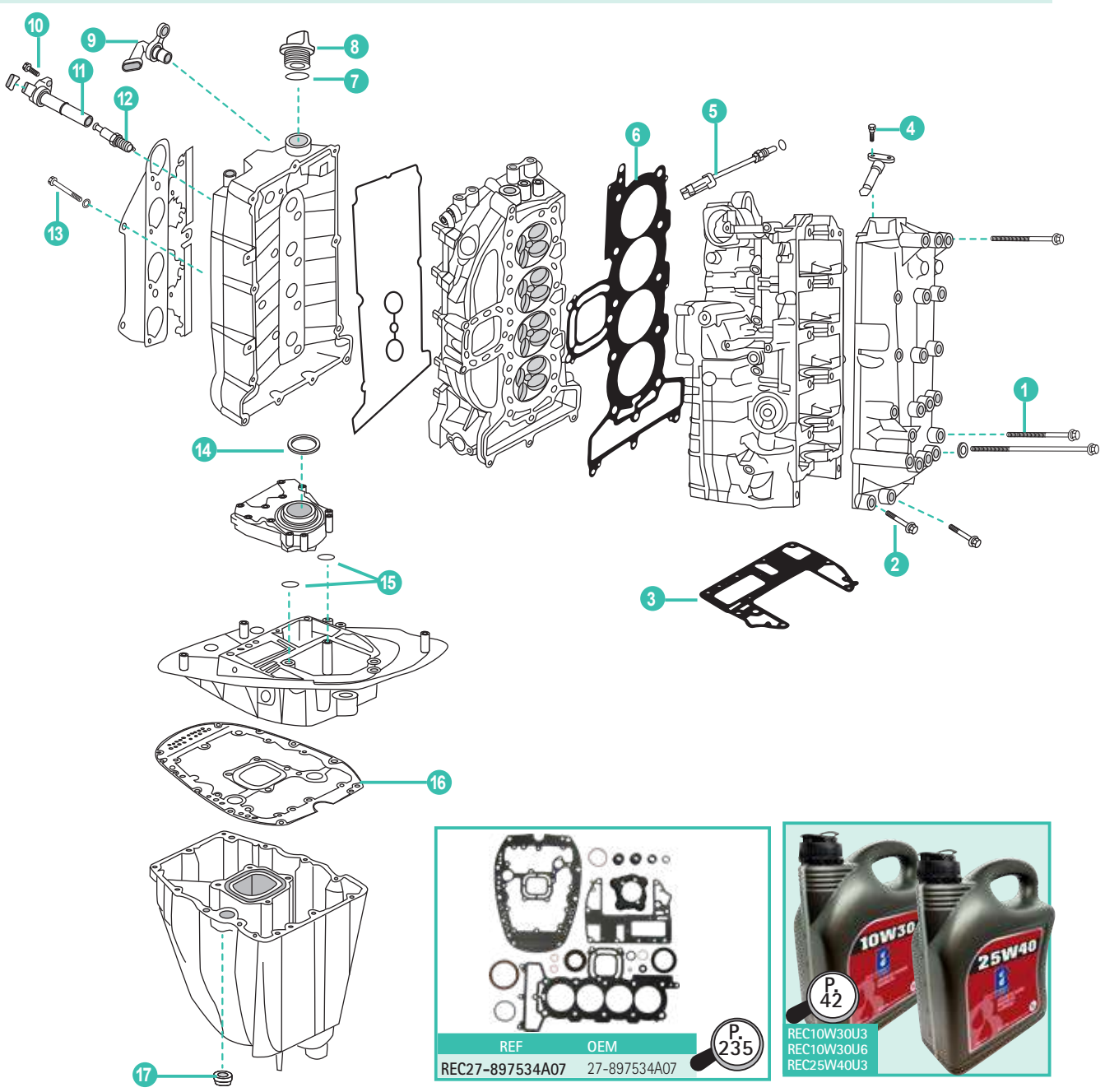
	REF	OEM				UN.	
1	PAF25-05000035	893541082	TORNILLO M8X80	BOLT M8X80	BULLONE M8X80	BOULON M8X80	10
2	PAF15-07000030	88348935	TORNILLO M6X35	BOLT M6X35	BULLONE M6X35	BOULON M6X35	10
3	PAF25-00000014	825010	PIN CENTRADOR	PIN, DOWEL	PIN, CENTRAGGIO	GOUPILLE FENDUE	2
4	PAF15-07010004	479452	TAPÓN 1/8"	JAM 1/8"	TAPPO 1/8"	BOUHN 1/8"	1
5	REC22-41622	416223	TAPÓN CODO	PLUG PIPE	TAPPO GOMITO	BOUCHON DE COUDE	1
6	REC67C-11351-00	892319001	JUNTA BASE MOTOR	BASE GASKET	GUARNIZIONE COPPA DELL'OLIO	JOINT DE CARTER	1
7	PAF15-07010003	822625	TORNILLO, UNIÓN	BOLT, UNION	VITE, UNIONE	VIS UNION	1
8	REC35-822626Q04	8M0065104	FILTRO ACEITE	OIL FILTER	FILTRO OLIO	FILTRE À HUILE	1
9	REC25-62702	627021	ARO TÓRICO	O-RING	O-RING	JOINT TORIQUE	1
10	PAF40-05000400	889575	SENSOR DE TEMPERATURA	SENSOR ASSY TEMPERATURE	SENSORE DE TEMPERATURA	SONDE DE TEMPERATURE	1
11	PAHT-2.5X60	816311T	BRIDA	CLAMP	FASCETTA	COLLIER	2
12	PAGB/T5783-M6X16	875206	TORNILLO M6X16	SCREW M6X16	VITE M6X16	VIS M6X16	2
13	PAGB/T5783-M6X40	4000333	TORNILLO M6X16	SCREW M6X40	VITE M6X40	VIS M6X140	4
14	PAF40-05040400	857078T1	BOMBA ACEITE	OIL PUMP	POMPA OLIO	POMPE À HUILE	1
15	PAF60-05020200	893565	ÁRBOL DE LEVAS	CAMSHAFT	ALBERO A CAMME	ARBRE À CAMES	1
16	PAF25-05050016	878183	PIN CENTRADOR	PIN DOWEL	SPINOTTO DI CENTRAGGIO	PIN DE CENTRAGE	1
17	PAGB/T5782-M6X35	88348935	TORNILLO M6X35	BOLT M6X35	BULLONE M6X35	BOULON M6X35	12
18	PAF15-07010021		TAPA TERMOSTATO	COVER, THERMOSTAT	COPERCHIO TERMOSTATO	COUVERCLE DE THERMOSTAT	1
19	PAF15-07010022	824853	JUNTA TAPA TERMOSTATO	GASKET, THERMOSTAT	GUARNIZIONE, TERMOSTATO	JOINT THERMOSTAT	1
20	PAF15-07010004	479452	TAPÓN	PLUG	TAPPO	BOUCHON	1
21	PAF15-07000031	8M0117413	TERMOSTATO	THERMOSTAT	TERMOSTATO	THERMOSTAT	1
22	PAF60-05000005	8M0118194	TAPA ESCAPE	COVER EXHAUST	COPERCHIO SCARICO	COUVERCLE D'ÉCHAPPEMENT	1
23	PAF60-05000004	857078	JUNTA TAPA ESCAPE	COVER EXHAUST, GASKET	GUARNIZIONE COPERCHIO SCARICO	JOINT DE COUVERCLE D'ÉCHAPPEMENT	1
24	PAGB/T5782-M8X35	857139	TORNILLO M8X35	BOLT M8X35	BULLONE M8X35	BOULON M8X35	1
25	PAF40-05000011	893697	SOPORTE	POTHOOK, ENGINE	SUPPORTO	CROCHET DE LEVAGE MOTEUR	1
26	REC8M0045278	8M0118179	JUNTA DE CULATA	HEAD GASKET	GUARNIZIONE TESTA	JOINT DE CULASSE	1
27	PAF25-00000014	825010	PIN CENTRADOR	PIN DOWEL	PIN, CENTRAGGIO	GOUPILLE FENDUE	2
28	PAGB/T5783-M6X25	82500925	TORNILLO M6X25	BOLT M6X25	BULLONE M6X25	BOULON M6X25	5
29	PAF25-05000002	82503395	TORNILLO M9X95	BOLT M9X95	BULLONE M9X95	BOULON M9X95	10
30	PAGB/T848-6	859768	ARANDELA	WASHER	RONDELLA	RONDELLE	4
31	PAGB/T5783-M6X8	4000325	TORNILLO M6X8	BOLT M6X8	BULLONE M6X8	BOULON M6X8	4
32	PAF60-05000003	8M0011870	RETÉN	SEAL	PARAOLIO	JOINT SPI	2
33	PAGB/T5783-M6X20	8M4503518	TORNILLO M6X20	BOLT M6X20	BULLONE M6X20	BOULON M6X20	7
34	PAJASOF404-35-025	90196	ARO TÓRICO	O-RING	O-RING	JOINT TORIQUE	1
35	PAF15-07050004	859578A1	TAPÓN ACEITE	OIL PLUG	TAPPO OLIO	BOUCHON D'HUILE	1
36	PAF25-02010003	629101	CODO 90°	FITTING ELBOW 90°	RACCORDO BENZINA 90°	RACCORD ESSENCE COUDE	1
37	REC54-816311T	816311T	BRIDA	TIE STRAP	FASCETTA	COLLIER	2
38	REC67C-11603-00	893525A01	KIT AROS PISTÓN	PISTON RING ASSY	KIT FASCETTE PISTONE	KIT SEGMENTS	4
39	PAF40-05020100		PISTÓN COMPLETO	PISTON ASSY	PISTONE COMPLETO	KIT PISTON	4
40	PAF40-05020101	893524T08	PISTÓN STD	PISTON STD	PISTONE STD	PISTON STD	4
41	PAF25-05020105	893863	PIN PISTÓN	PIN, PISTON	PIN, PISTONE	AXE DE PISTON	4
42	PAF25-05020106	893529	CIRCLIP	CIRCLIP	CIRCLIP	CIRCLIP	8
43	PAF25-05020200	893530T01	BIELA	CONNECTING ROD	BIELLA	BIELLE	4
44	PAF25-05010302-1	893630001	COJINETE DE BIELA BROWN	BEARING, CONNECTING ROD BROWN	CUSCINETTO BIELLA BROWN	PALIER DE BIELLE MARRON	8
	PAF25-05010302-2	893630	COJINETE DE BIELA BLACK	BEARING, CONNECTING ROD BLACK	CUSCINETTO BIELLA BLACK	PALIER DE BIELLE NOIR	8
45	PAF4-04000019	18856M	CHAVETA	KEY	CIAVETTA	CLAVETTE	1
46	PAF25-05000024	91800	CHAVETA	KEY	CIAVETTA	CLAVETTE	1
47	PAF25-05020003	893949	RETÉN ACEITE	SEAL OIL	PARAOLIO	JOINT SPI	1
48	PAF25-05010302-1	893631001	COJINETE BANCADA BROWN	MAIN BEARING BROWN	CUSCINETTO BROWN	PALIER DE VILEBREQUIN MARRON	10
	PAF25-05010302-2	893631	COJINETE BANCADA BLACK	MAIN BEARING BLACK	CUSCINETTO BLACK	PALIER DE VILEBREQUIN NOIR	10
49	PAF25-05020002	893948	RETÉN ACEITE	SEAL OIL	PARAOLIO	JOINT SPI	1



	REF	OEM				UN.	
1	PAF15-07010027	855690	GOMA	GROMMET	TAPPO	BOUCHON	1
2	PAF25-00000006	804072	TORNILLO M10X120	BOLT M10X120	VITE M10X120	VIS M10X120	10
3	PAGB/T5783-M8X55	41884M	TORNILLO M8X55	BOLT M8X55	VITE M8X55	VIS M8X55	10
4	REC68V-11351-00	8587321	JUNTA	GASKET	GUARNIZIONE	JOINT DE TETE MOTRICE	1
5	PAF15-04000003	81990M	JUNTA	GASKET	GUARNIZIONE	JOINT	1
6	REC67F-11181-03	8041151	JUNTA CULATA	HEAD GASKET	GUARNIZIONE TESTA	JOINT DE CULASSE	1
7	PAGB/T5783-M6X20	8257021	TORNILLO M6X20	BOLT M6X20	VITE M6X20	VIS M6X20	4
8	PAF4-04000006	831246	ARANDELA	WASHER	RONDELLA	RONDELLE	4
9	PAGB/T5783-M8X55	881312	TORNILLO M8X55	BOLT M8X55	VITE M8X55	VIS M8X55	5
10	REC67F-12411-01	8556761	TERMOSTATO 60°	THERMOSTAT 60°	TERMOSTATO 60°	THERMOSTAT 60°	1
11	PAGB/T5782-M6X25	8248326	TORNILLO M6X25	BOLT M6X25	VITE M6X25	VIS M6X25	4
12	PAGB/T5783-M8X25	827207	TORNILLO M8X25	BOLT M8X25	VITE M8X25	VIS M8X25	4
13	PAGB/T5783-M6X20	8524741	TORNILLO M6X20	BOLT M6X20	VITE M6X20	VIS M6X20	3
14	REC67F-11328-00	804086	TAPÓN	CAP	TAPPO	BOUCHON	3
15	REC68V-11325-01AL		ÁNODO	ANODE	ANOD	ANODE	3
16	NGKFR5A-11	859495	BUJÍA	SPARK PLUG	CANDELA	BOUGIE	4
17	PAGB/T5787-M6x30	858530	TORNILLO M6X30	BOLT M6X30	VITE M6X30	VIS M6X30	14
18	PAF15-07050004	859578A1	TAPÓN ACEITE	OIL CAP	TAPPO OLIO	BOUCHON À HUILE	1
19	PAJASOF40431-025		ARO TÓRICO	O-RING	O-RING	JOINT TORIQUE	1
20	PAGB/T818-M4X8	804120	TORNILLO M4X8	BOLT M4X8	VITE M4X8	VIS M4X8	8
21	REC35-822626Q04	822626Q2	FILTRO ACEITE	OIL FILTER	FILTRO OLIO	FILTRE À HUILE	1
22	PAF40-05000053	804078	TUBO	HOSE	TUBO	TUYAU	1
23	REC54-816311T	816311T	BRIDA	CAMP	FASCETTA	COLLIER	2
24	PAGB/T5783-M6X16	881428	TORNILLO M6X16	BOLT M6X16	VITE M6X16	VIS M6X16	3
25	REC90501-16M11	804081	MUELLE	SPRING	MOLLA	RESSORT	1
26	REC60H-12416-00	804080	VALVULA ANTIPRESION	VALVE PRESSURE CONTROL	VALVOLA ANTIPRESSIONE	SOUPAPE DE DEPRESSION	1
27	REC90480-20M05	804082	GOMA	GROMMET	TAPPO	BOUCHON	1
28	REC67F-41114-A2	804076	JUNTA	GASKET	GUARNIZIONE	JOINT	1
29	PAHT-2.5X60	816311T	BRIDA	CAMP	FASCETTA	COLLIER	1
	REC67F-11416-00	804101T	COJINETE BANCADA GREEN	MAIN BEARING GREEN	CUSCINETTO GREEN	PALIER DE VILEBREQUIN GREEN	4
30	REC67F-11416-10	804101T10	COJINETE BANCADA BLUE	MAIN BEARING BLUE	CUSCINETTO BLUE	PALIER DE VILEBREQUIN BLUE	4
	REC67F-11416-20	804101T20	COJINETE BANCADA RED	MAIN BEARING RED	CUSCINETTO RED	PALIER DE VILEBREQUIN RED	4
31	REC93102-48009	8040992	RETÉN	SEAL OIL	PARAOLIO	JOINT SPI	1
32	REC6D8-11603-10	804107T1	KIT AROS PISTÓN STD	PISTON RING ASSY STD	KIT FASCETTE PISTONE STD	KIT SEGMENTS STD	4
	REC6D8-11604-10	804108T1	KIT AROS PISTÓN 0.25	PISTON RING ASSY 0.25	KIT FASCETTE PISTONE 0.25	KIT SEGMENTS 0.25	4
33	REC67F-46241-00	804145	CORREA	BELT PULLEY	CINGHIA	COURROIE	1
34	REC93102-38008	804144	RETÉN ACEITE	SEAL OIL	PARAOLIO	JOINT SPI	2
35	RECK0A-A3722-00	804137	RETEN VALVULA	SEAL VALVE SYSTEM	PARAOLIO VALVOLA	JOINT DE QUEUE DE SOUPAPE	8
36	RECK0A-A3721-00	804136	RETEN VALVULA	SEAL VALVE SYSTEM	PARAOLIO VALVOLA	JOINT DE QUEUE DE SOUPAPE	8
37	REC68V-12111-00	804128T	VÁLVULA ADMISIÓN	VALVE INTAKE	VALVOLA ASPIRAZIONE	SOUPAPE ADMISSION	8

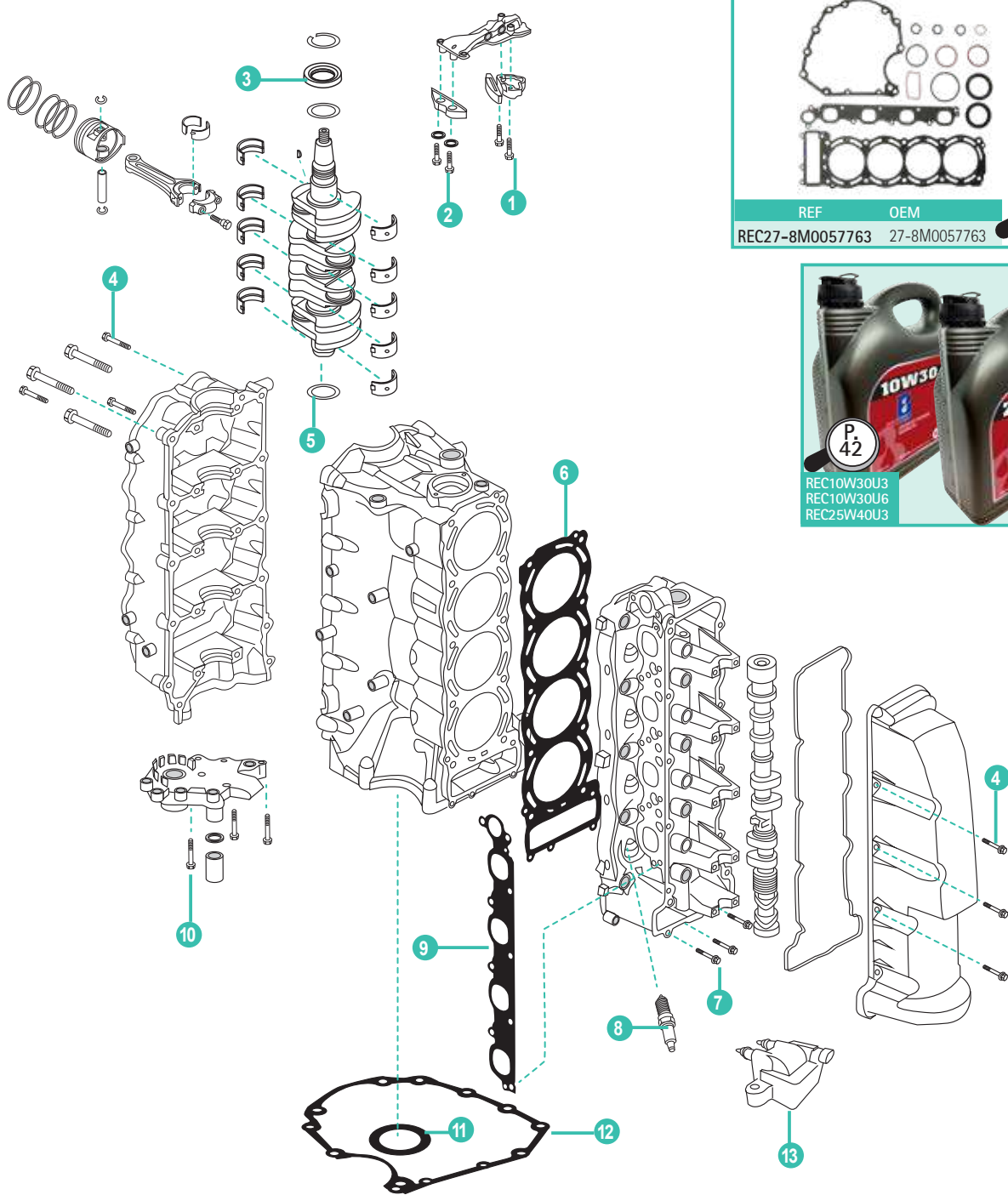


4T STROKES 75, 80, 90, 110, 115 HP EFI



	REF	OEM				UN.	
1	PAF25-0000006	892086120	TORNILLO M10X120	BOLT M10-X120	VITE M10X120	VIS M10X120	2
2	PAGB/T5787-1986	895810050	TORNILLO M8X50	BOLT M8X50	VITE M8X50	VIS M8X50	2
3	REC27-8M0024563	8M0024563	JUNTA BASE MOTOR	GASKET ENGINE	GUARNIZIONE BASE MOTORE	JOINT DE TETE MOTRICE	1
4	PAGB/T5783-M5X14	40011106	TORNILLO M5X13	BOLT M5X13	VITE M5X13	VIS M5X13	2
5	REC8M0148668	885342002	SENSOR TEMPERATURA	TEMPERATURE SENSOR	SENSORE TEMPERATURA	SONDE DE TEMPERATURE	1
6	RM27-8M0024565	8M0024565	JUNTA CULATA	GASKET CYLINDER HEAT	GUARNIZIONE TESTATA	JOINT DE CULASSE	1
7	PAJASOF404-35-025	90196	ARO TÓRICO	O-RING	O-RING	JOINT TORIQUE	1
8	PAF15-07050004	859578A1	TAPÓN ACEITE	OIL CUP	TAPPO OLIO	BOUCHON D'HUILE	1
9	REC8M0011987	880609	SENSOR ARBOL LEVAS	CAMSHAFT SENSOR	SENSORE ALBERO A CAMME	CAPTEUR ARBRE À CAMES	1
10	PAGB/T5783-M6X25	88552525	TORNILLO M6X25	BOLT M6X25	VITE M6X25	VIS M6X25	4
11	REC339-880615T01	880615T01	BOBINA COMPLETA	COIL ASSY	BOBINA ASCENSIONE	BOBINE D'ALLUMAGE	4
12	NGKLF4AE	898829001	BUJÍA	SPARK PLUG	CANDELA	BOUGIE	4
13	PAGB/T5782-M6X90	8M0008535	TORNILLO M6X90	BOLT M6X90	VITE M6X90	VIS M6X90	2
14	REC26-8M0036343	26-804349004	RETÉN	OIL SEAL	PARAOLIO	JOINT SPI	1
15	REC25-62705001	25-6270501	TÓRICA	O-RING	O-RING	JOINT TORIQUE	2
16	REC8M0005405	8M0005405	JUNTA ADAPTADOR	GASKET	GUARNIZIONE	JOINT PLAQUE ADAPT	1
17	REC814080001	814080001	RETÉN	OIL SEAL	PARAOLIO	JOINT SPI	1

4T 135, 150 HP SEAPRO, PRO XS
STROKES



REF	OEM
REC27-8M0057763	27-8M0057763

P. 236

REF	OEM
REC10W30U3	
REC10W30U6	
REC25W40U3	

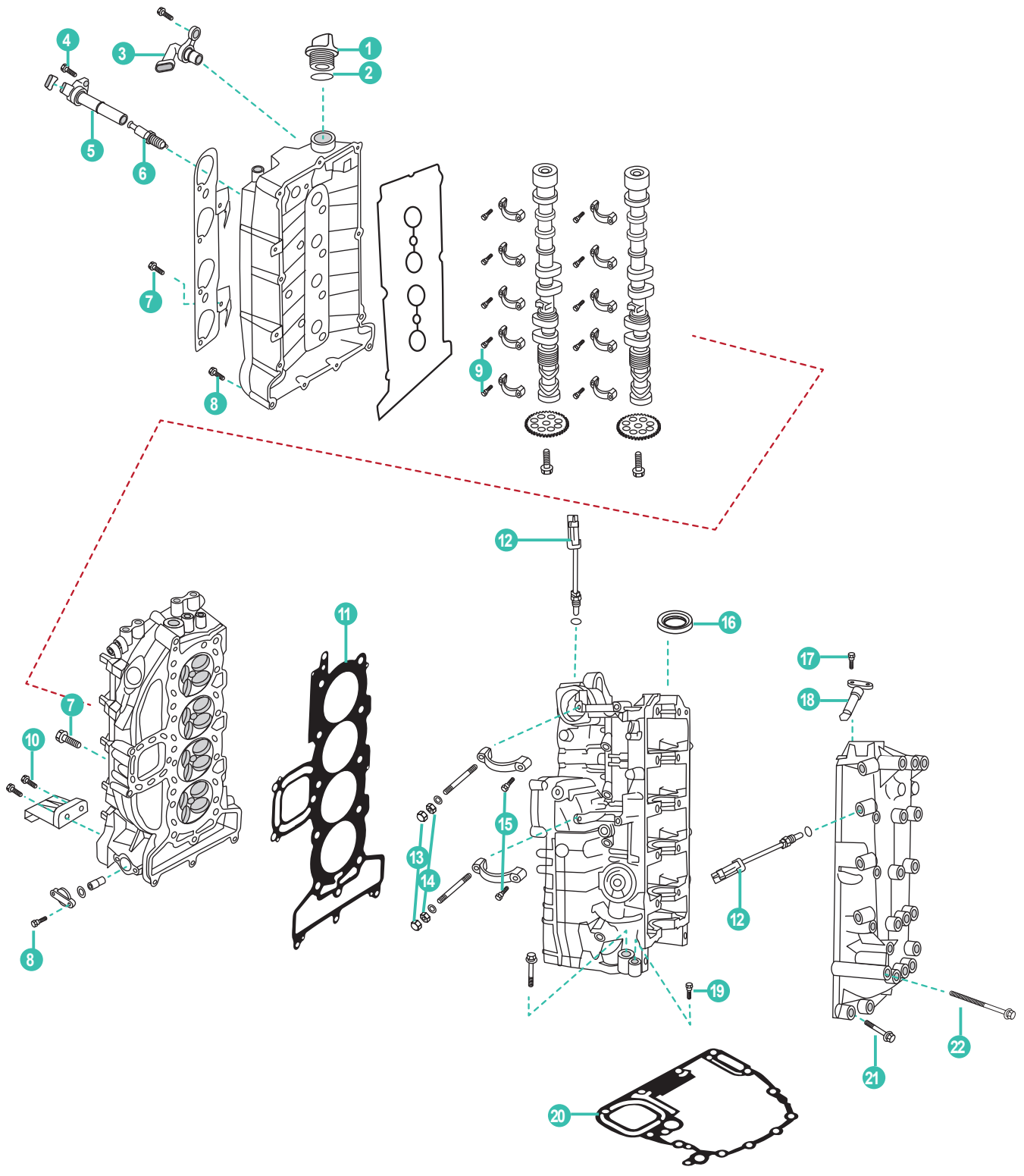
P. 42

MERCURY

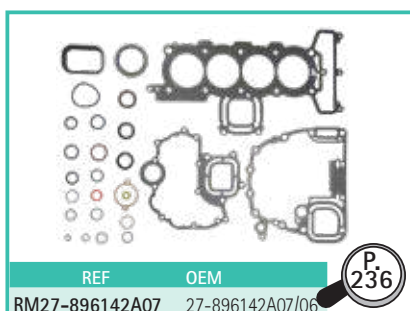
RECAMBIOS MARINOS

	REF	OEM					UN.
1	PAGB/T5783-M6X30	88552530	TORNILLO M6X30	BOLT M6X30	VITE M6X30	VIS M6X30	2
2	PAGB/T5783-M6X20	88552520	TORNILLO M6X20	BOLT M6X20	VITE M6X20	VIS M6X20	2
3	REC26-8M0035127	8M0035127	RETÉN	SEAL	PARAOILIO	JOINT SPI	1
4	PAGB/T5783-M6X25	88552525	TORNILLO M6X25	BOLTM6X25	VITE M6X25	VIS M6X25	12
5	REC25-8M0034912	8M0034912	ARO TÓRICO	O-RING	O-RING	JOINT TORIQUE	1
6	REC27-8M6000366	8M6000366	JUNTA CULATA	GASKET CYLINDER HEAT	GUARNIZIONE TESTATA	JOINT DE CULASSE	1
7	PAGB/T5783-M6X40	88552540	TORNILLO M6X40	BOLT M6X40	VITE M6X40	VIS M6X40	3
8	NGKZFR5F	33-8M0057936	BUJÍA	SPARK PLUG	CANDELA	BOUGIE	4
9	REC27-8M6000365	27-8M6000365	JUNTA ESCAPE	EXHAUST GASKET	GUARNIZIONE SCARICO	JOINT D'ÉCHAPPEMENT	1
10	PAGB/T5783-M6X35	88552545	TORNILLO M6X35	BOLT M6X35	VITE M6X35	VIS M6X35	4
11	REC25-8M0056667	8M0056667	RETÉN	OIL SEAL	PARAOILIO	JOINT D'HUILE	1
12	REC27-8M0057703	8M0057703	JUNTA BASE MOTOR	GASKET ENGINE	GUARNIZIONE BASE MOTORE	JOINT DE TÊTE MOTRICE	1
13	REC300-8M0044991	300-8M0044991	BOBINA	COIL	BOBINA	BOBINE	2

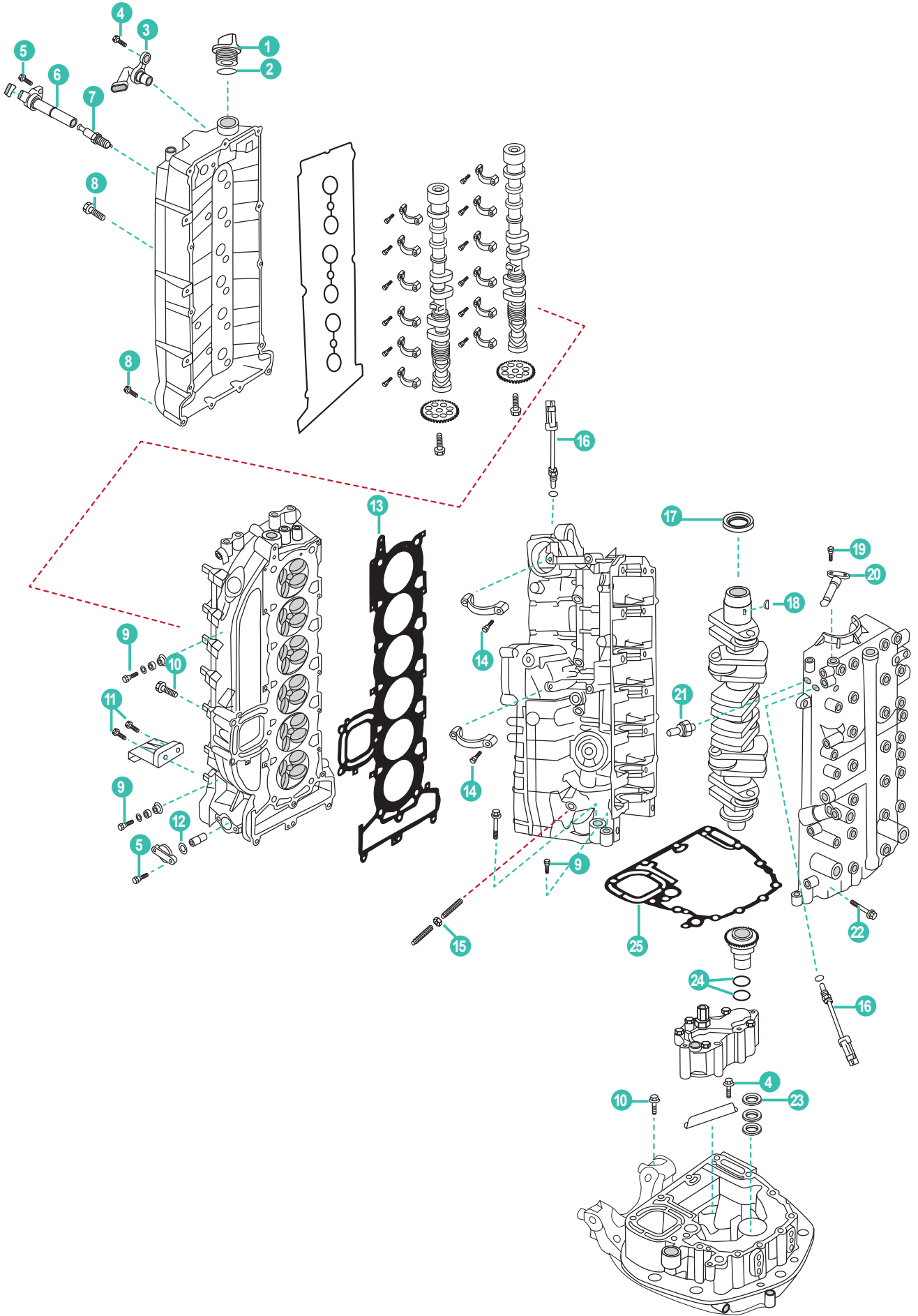
4T 135,150, 175 HP VERADO (4 CYL)
STROKES



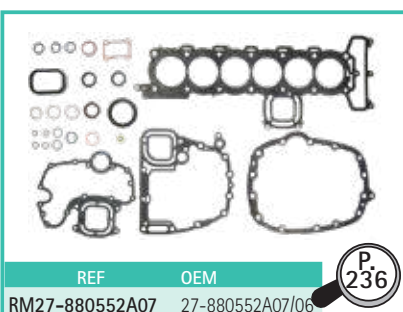
	REF	OEM				UN.	
1	PAF15-07050004	859578A1	TAPÓN ACEITE	OIL PLUG	TAPPO OLIO	BOUCHON D'HUILE	1
2	PAJASOF404-35-025	90196	ARO TÓRICO	O-RING	O-RING	JOINT TORIQUE	1
3	REC8M0011987	880609	SENSOR ARBOL LEVAS	CAMSHAFT SENSOR	SENSORE ALBERO A CAMME	CAPTEUR D'ARBRE À CAMES	1
4	PAF8-05000022	88552525	TORNILLO M6X25	BOLT M6X25	VITE M6X25	VIS M6X25	4
5	REC339-880615T01	880615T014	BOBINA COMPLETA	COIL ASSY	BOBINA ASCENSIONE	BOBINE D'ALLUMAGE	4
6	NGKILFR6G-E	889680001	BUJÍA	SPARK PLUG	CANDELA	BOUGIE	4
7	PAGB/T5783-M6X12	88552512	TORNILLO M6X12	BOLT M6X12	VITE M6X12	VIS M6X12	4
8	PAGB/T5783-M6X25	88552525	TORNILLO M6X25	BOLT M6X25	VITE M6X25	VIS M6X25	15
9	PAF15-07000030	892454035	TORNILLO M6X36	BOLT M6X36	VITE M6X36	VIS M6X36	20
10	PAGB/T5787-M6X30	892454030	TORNILLO M6X30	BOLT M6X30	VITE M6X30	VIS M6X30	2
11	RM27-8M0024565	896277006	JUNTA CULATA	GASKET CYLINDER HEAD	GUARNIZIONE TESTATA	JOINT DE CULASSE	1
12	REC8M0148668	885342001	SENSOR TEMPERATURA	TEMPERATURE SENSOR	SENSORE TEMPERATURA	SONDE DE TEMPERATURE	2
13	PAGB/T6182-2000	401388	TUERCA DE CIERRE M8	LOCKNUT M8	DADO CHIUSURA M8	ECROU FREIN M8	2
14	PAGB/T6170-85	400213	TUERCA	NUT	DADO	ÉCROU	2
15	PAGB/T5782-M8X40	88552640	TORNILLO M8X40	BOLT M8X40	VITE M8X40	VIS M8X40	4
16	REC26-8M0032912	26-8M0032912	RETÉN CIGUEÑAL	OIL SEAL	PARAOLIO	JOINT SPI VILEBREQUIN	1
17	PAGB/T5783-M5X16	40011107	TORNILLO M5X16	BOLT M5X16	VITE M5X16	VIS M5X16	2
18	REC8M0082988	8283582	SENSOR POSICION CIGÜENAL	SENSOR CRANSHAFT POSITION	SENSORE POSIZIONE ALBERO MOTORE	SONDE DE POSITION VILEREQUIN	1
19	PAF8-00000003	88552635	TORNILLO M8X35	BOLT M8X35	VITE M8X35	VIS M8X35	1
20	REC27-896142	896142	JUNTA BASE MOTOR	GASKET ENGINE	GUARNIZIONE BASE MOTORE	JOINT DE TETE MOTICE	1
21	PAGB/T5787-1986	895810050	TORNILLO M8X50	BOLT M8X50	VITE M8X50	VIS M8X50	2
22	PAF25-00000006	892086120	TORNILLO M10X120	BOLT M10X120	VITE M10X120	VIS M10X120	2



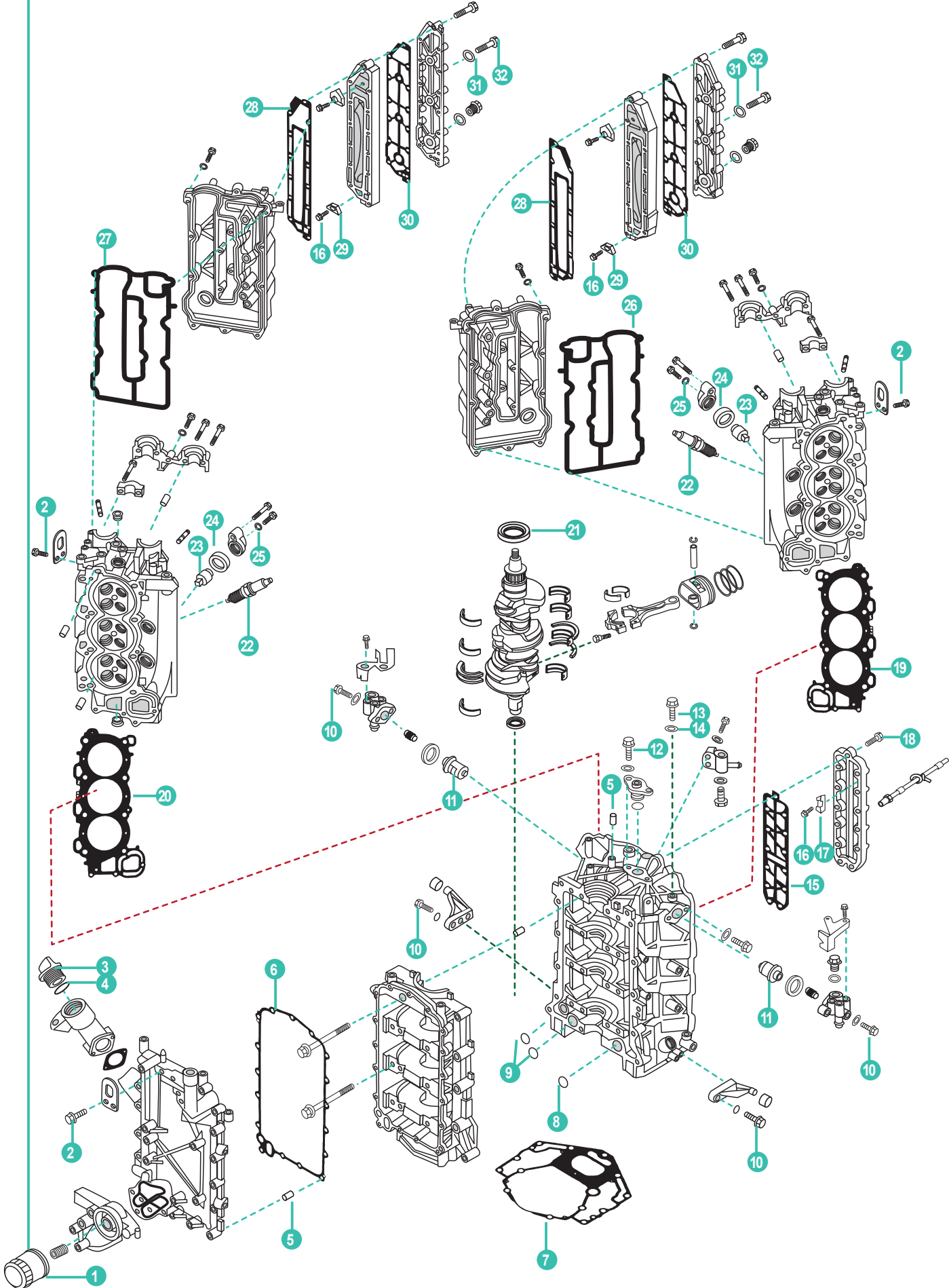
4T 200, 225, 250, 275, 300 HP VERADO (6 CYL)
STROKES



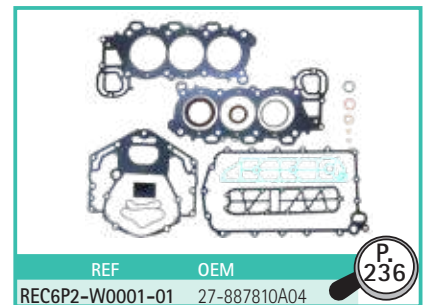
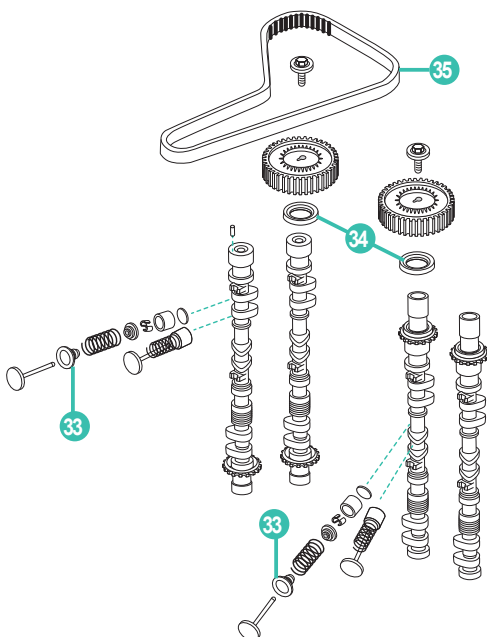
	REF	OEM				UN.	
1	PAF15-07050004	859578A1	TAPÓN ACEITE	OIL CUP	TAPPO OLIO	BOUCHON D'HUILE	1
2	PAJASOF404-35-025	90196	ARO TÓRICO	O-RING	O-RING	JOINT TORIQUE	1
3	REC8M0011987	8M0011987	SENSOR ARBOL LEVAS	CAMSHAFT SENSOR	SENSORE ALBERO A CAMME	CAPTEUR D'ARBRE À CAMES	1
4	PAGB/T5783-M6X16	88552516	TORNILLO M6X16	BOLT M6X16	VITE M6X16	VIS M6X16	1
5	PAF8-05000022	88552525	TORNILLO M6X25	BOLT M6X25	VITE M6X25	VIS M6X25	6
6	REC339-880615T01	880615T01	BOBINA COMPLETA	COIL ASSY	BOBINA ASCENSIONE	BOBINE D'ALLUMAGE	6
7	NGKILFR6G-E	889246Q39	BUJÍA	SPARK PLUG	CANDELA	BOUGIE	6
8	PAGB/T5783-M6X25	88552525	TORNILLO M6X25	BOLT M6X25	VITE M6X25	VIS M6X25	3
9	PAGB/T5783-M8X35	88552635	TORNILLO M8X35	BOLT M8X35	VITE M8X35	VIS M8X35	2
10	PAGB/T5783-M6X12	88552512	TORNILLO M6X12	BOLT M6X12	VITE M6X12	VIS M6X12	3
11	PAGB/T5783-M6X30	892454030	TORNILLO M6X30	BOLT M6X30	VITE M6X30	VIS M6X30	2
12	REC25-898836	898836	ARO TÓRICO	O-RING	O-RING	JOINT TORIQUE	1
13	RM27-8M0033476	8M0024564	JUNTA CULATA	GASKET CYLINDER HEAT	GUARNIZIONE TESTATA	JOINT DE CULASSE	1
14	PAGB/T5782-M8X40	88552640	TORNILLO M8X40	BOLT M8X40	VITE M8X40	VIS M8X40	4
15	PAGB/T6182-2000	401388	TUERCA	NUT	DADO	ÉCROU	1
16	REC8M0142542	8M0010146	SENSOR TEMPERATURA	TEMPERATURE SENSOR	SENSORE TEMPERATURA	SONDE DE TEMPERATURE	1
17	REC26-8M0032912	8M0032912	RETÉN CIGÜEÑAL	OIL SEAL	PARAOLIO	JOINT SPI VILEBREQUIN	1
18	PAF25-05000024	91800	CHAVETA VOLANTE	KEY SEMISIRCLE FLYWHEEL	CIAVETTA VOLANTE	CLAVETTE VOLANT MOTEUR	1
19	PAGB/T5783-M5X16	40011107	TORNILLO M5X16	BOLT M5X16	VITE M5X16	VIS M5X16	2
20	REC8M0082988	8283582	SENSOR POSICION CIGÜEÑAL	SENSOR CRANSHAFT POSITION	SENSORE POSIZIONE ALBERO MOTORE	SONDE DE POSITION VILEREQUIN	1
21	REC8M6000634	889659002	SENSOR PRESION DE ACEITE	OIL PRESSURE SENSOR	SENSORE PRESSIONE OILIO	SONDE PRESSION D'HUILE	1
22	PAGB/T5783-M8X50	985810050	TORNILLO M8X50	BOLT M8X50	VITE M8X50	VIS M8X50	2
23	REC26-8M0033928	884461	RETÉN ACEITE	OIL SEAL	PARAOLIO	JOINT SPI	1
24	REC25-8M0034912	895791	ARO TÓRICO	O-RING	O-RING	JOINT TORIQUE	2
25	REC27-880624003	880624003	JUNTA BASE MOTOR	GASKET	GUARNIZIONE MOTORE	JOINT DE TETE MOTRICE	1



4T 225 EFI V6 (OT653945+)



	REF	OEM				UN.	
1	REC35-822626Q15	822626T7	FILTRO ACEITE	OIL FILTER	FILTRO DELL'OLIO	FILTRE À HUILE	1
2	PAGB/T5783-M6X16	881428	TORNILLO M6X16	BOLT M6X16	VITE M6X16	VIS M6X16	6
3	PAF15-07050004	859578A1	TAPÓN ACEITE	PLUG, OIL	TAPPO OLIO	BOUCHON REMPLISSAGE D'HUILE	1
4	PAJASOF40431-025	90196	TÓRICA	O-RING	O-RING	JOINT TORIQUE	1
5	REC93606-12019	82364M	PIN CENTRADOR	PIN DOWEL	SPINOTTO DI CENTRAGGIO	PIN DE CENTRAGE	3
6	REC69J-15451-00	887825	JUNTA	GASKET	GUARNIZIONE	JOINT	1
7	REC69J-11351-11	887810010	JUNTA BASE MOTOR	GASKET ENGINE	GUARNIZIONE BASE MOTORE	JOINT DE TETE MOTRICE	1
8	REC93210-25552	887812	TÓRICA	O-RING	O-RING	JOINT TORIQUE	1
9	REC93210-19MJ1	858581	TÓRICA	O-RING	O-RING	JOINT TORIQUE	2
10	PAGB/T5782-M6X25	8248326	TORNILLO M6X25	BOLT M6X25	VITE M6X25	VIS M6X25	8
11	REC67F-12411-01	8556761	TERMOSTATO	THERMOSTAT	TERMOSTATO	THERMOSTAT	2
12	PAGB/T5783-M6X20	8257021	TORNILLO M6X20	BOLT M6X20	VITE M6X20	VIS M6X20	2
13	PAF15-04000002	825953	TORNILLO DRENAJE ACEITE	BOLT, OIL DRAIN	VITE DRENAGGIO OLIO	VIS DE VIDANGE	1
14	PAF15-04000003	81990M	JUNTA	GASKET	GUARNIZIONE	JOINT	1
15	REC6P2-1131B-00	887805	JUNTA	GASKET	GUARNIZIONE	JOINT	1
16	PAGB/T820-M4X12	827443001	TORNILLO M4X12	BOLT M4X12	VITE M4X12	VIS M4X12	6
17	CM15026A	11761001	ÁNODO	ANODE	ANODO	ANODE	4
18	PAGB/T5783-M6X30	881427	TORNILLO M6X30	SCREW M6X30	VITE M6X30	VIS M6X30	13
19	REC69J-11182-03	8878481	JUNTA CULATA BABOR	GASKET, CYLINDER HEAD PORT	GUARNIZIONE TESTATA BABORDO	JOINT DE CULASSE BABORD	1
20	REC69J-11181-03	887848	JUNTA CULATA ESTRIBOR	GASKET, CYLINDER HEAD STB	GUARNIZIONE TESTATA TRIBORDO	JOINT DE CULASSE TRIBORD	1
21	REC93102-63004	887830	RETÉN DE ACEITE	OIL SEAL	PARAOLIO	JOINT SPI	1
22	NGKLR5A-11	859495	BUJÍA	SPARK PLUG	CANDELA	BOUGIE	6
23	CM67F-11325-00	804079	ÁNODO	ANODE	ANODO	ANODE	4
24	REC67F-11328-00	804086	TAPÓN ÁNODO	GROMMET	TAPO ANODO	BOUCHON D'ANODE	4
25	REC90430-06M03	95610	JUNTA	GASKET	GUARNIZIONE	JOINT	2
26	REC6P2-11194-00	887855	JUNTA TAPA DE CULATA BABOR	GASKET, CYLINDER HEAD COVER PORT	GUARNIZIONE, COPERCHIO TESTATA BABORDO	JOINT DE CACHE CULBUTEUR BABORD	1
27	REC6P2-11193-00	887853	JUNTA TAPA DE CULATA ESTRIBOR	GASKET, CYLINDER HEAD COVER STB	GUARNIZIONE, COPERCHIO TESTATA TRIBORDO	JOINT DE CACHE CULBUTEUR TRIBORD	1
28	REC6P2-41122-00	887861 887861001	JUNTA ESCAPE	EXHAUST GASKET	GUARNIZIONE SCARICO	JOINT D'ECHAPPEMENT	2
29	CM689-11325-00A	11761001	ÁNODO	ANODE	ANODO	ANODE	2
30	REC6P2-41114-00	887862 887862001	JUNTA ESCAPE	EXHAUST GASKET	GUARNIZIONE SCARICO	JOINT D'ECHAPPEMENT	2
31	PAF4-04000006	831246	ARANDELA	WASHER	RONDELLA	RONDELLE	4
32	PAGB/T5783-M8X14	83124714	TORNILLO M8X14	BOLT M8X14	VITE M8X14	VIS M8X14	4
33	REC69J-12119-00	887870	RETÉN	SEAL	PARAOLIO	JOINT SPI	24
34	REC93102-38008	884144	RETÉN DE ACEITE	OIL SEAL	PARAOLIO	JOINT SPI	4
35	REC69J-46241-00	887883	CORREA DISTRIBUCIÓN	BELT, TIMING	CINGHIA DISTRIBUZIONE	COURROIE DISTRIBUTION	1



**JUNTAS DE MOTOR
4 TIEMPOS**

**ENGINE GASKET
4 STROKES**

**GUARNIZIONI DE MO-
TORE 4 TEMPI**

**JOINTS DE MOTEUR
4 TEMPS**

4T
STROKES

JUNTAS DE CULATA

CYLINDER HEAD GASKET

GUARNIZIONE DE TESTATA

JOINTS DE CULASSE

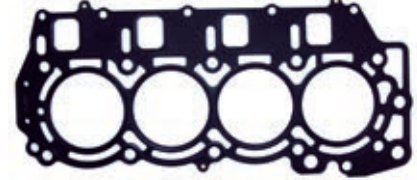
REF	OEM	
REC27-803508	27-803508	4, 5, 6 HP (1 cyl)

P. 204



REF	OEM	
REC8M0045278	27-8M0045278, 27-857081	40, 40EFI, 50, 50EFI, 60, 60EFI HP (L4-cyl)

P. 222

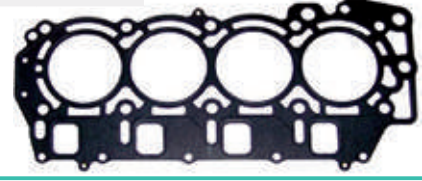


REF	OEM	
REC6G8-11181-A1	27-8254821	4, 5, 68 HP (232cc) 9.9HP (2 cyl)

P. 205



REF	OEM	
REC27-825032	27-825032	40, 45, 50 HP



REF	OEM	
PAF15-07000100	27-850836	8 HP (232cc) 9.9HP (323cc) 13.5, 15HP (2 cyl)

P. 210



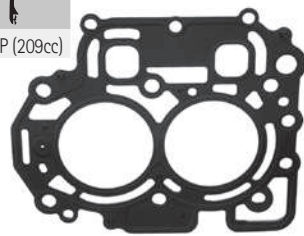
REF	OEM	
REC67F-11181-03	27-8041151	75, 80, 90, 115EFI HP (L4-cyl)

P. 224



REF	OEM	
PAF8-05000100	27-850836001	8, 9.9 HP (209cc)

P. 206



REF	OEM	
RM27-8M0024565	27-8M0024565	Verado (4 cyl) 75, 80, 90, 100, 115 EFI

P. 226

P. 228



REF	OEM	
PAF25-05040000	8M0049885 27-830270	25 HP

P. 214



REF	OEM	
REC67C-11181-01	27-834777 27-8M0118180	30, 30EFI, 40, 40EFI HP (3cyl)

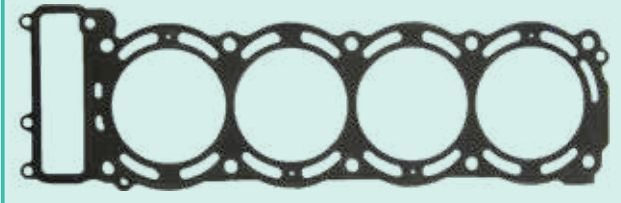
P. 218



REF	OEM	
REC27-8M6000366	27-8M6000366	150PRO XS (2B550139+) 150 SEAPRO (2B139139+) 150 (1B905505+) 135 (2B131942+)

new

P. 227



MERCURY MARINER

RECAMBIOS
MARINOS

REF	OEM		
RM27-8M0033476	27-895374006 8M0024564	Verado 6 Cyl	P. 230

REF	OEM		
REC69J-11182-03	27-887848-1	225 HP EFI	BABOR PORT BABORDO GAUCHE
REC69J-11181-03	27-887848		ESTRIBOR STD TRIBORDO DROIT

REC69J-11182-03

REC69J-11181-03

4T
STROKES

KITS JUNTAS DE CULATA **CYLINDER HEAD GASKET KIT**

REF	OEM		
REC6G8-W0001-A3	27-825847A95	8 Bodensee (Inter.) 9.9 HP (232 cc)	

KIT GUARNIZIONE TESTATA **KITS JOINTS DE CULASSE**

REF	OEM		
REC65W-W0001-00	27-830270A98	25 HP	

REF	OEM		
REC3V1-87121-0	27-835427A04	8, 9,9 HP (209 cc)	

REF	OEM		
REC67C-W0001-01	27-859352A02	30, 40 HP (3CYL) EFI	

REF	OEM		
REC66M-W0001-01	27-835427A00	8, 9,9, 15HP 323 CC)	new

REF	OEM		
REC27-897534A07	27-897534A07	75, 80, 90, 100, 115 HP	new

new

REF	OEM	
REC67F-W0001-00	27-804345A02 27-858732T01 27-858732T02	75, 90 HP (0G960500-1B226999) 115EFI (1.741cc)

REF	OEM	
REC6P2-W0001-01	27-887810A04	225 EFI (0T807876 - 1B055687)

new

REF	OEM	
REC27-8M0057763	27-8M0057763	135, 150 HP PROXS, SEAPRO

REF	OEM	
RM27-896142A07	27-896142A06, A07	VERADO 4 CYL

REF	OEM	
RM27-880552A07	27-880552A07, A06	VERADO 6CYL

4T
STROKES

JUNTAS BASE DE MOTOR CYLINDER GASKET


REF	OEM	
PAF8-00000004	27-835427003	8, 9,9 HP (209CC)


GUARNIZIONE BASE MOTORE JOINTS DE TÊTE MOTRICE


REF	OEM	
REC6G8-11351-A0	27-825847	8 BODENSEE INTER. 9.9 HP (232CC)

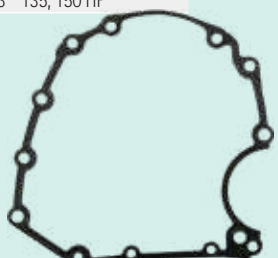
REF	OEM	
PAF15-00000014	27-8354272	8 (Bondensee) Inter. 9.9 (323 cc) 13.5 Inter. 15

REF	OEM	
PAF25-00000013	27-8M0069692 8252312	25HP

REF	OEM	
REC67C-11351-00	892319001 27-859352	30 - 60 HP (Carb) EFI




REF	OEM	
REC27-8M0057703	27-8M0057703	135, 150 HP

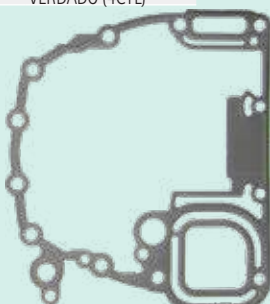


new


REF	OEM	
REC68V-11351-00	27-8587321	75 (Bodensee) 90 115 EFI




REF	OEM	
REC27-896142	27-896142	135-200 HP VERDADO (4CYL)




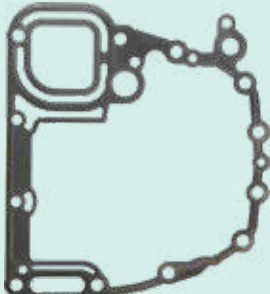
new

REF	OEM	
REC27-8M0024563	27-8M0024563 27-897534	75, 80, 90, 100, 115 EFI





new

REF	OEM	
REC27-880624003	27-880624003	200-400 HP VERDADO 6CYL




new

REF	OEM	
REC69J-11351-11	27-887810011	225 EFI (2003-06)



4T
STROKES

GUÍA JUNTAS DE MOTOR	ENGINE GASKET GUIDE	GUIDA GUARNIZIONE MOTORE	GUIDE JOINTS DE MOTEURS
	CYL	JUNTA CULATA CYLINDER HEAD GASKET GUARNIZIONE TESTATA JOINT DE CULASSE	JUNTA BASE MOTOR CYLINDER GASKET GUARNIZIONE BASE MOTORE JOINT DE TETE MOTRICE
		KIT SUPERIOR TOP KIT KIT SUPERIORE KIT SUPERIEUR	
4HP	OP037456 +	1 REC27-803508	
5HP	OP037456 +	1 REC27-803508	
6HP	OP037456 +	1 REC27-803508	
8HP (209cc)	OP325500 +	2 PAF8-05000100	REC6G8-11351-A0
8HP (Bodensee) USA(232 cc)	OH000058 +	2 REC6G8-11181-A1	PAF8-00000004
8HP (Bodensee)	OP086824 - OP400999	2 PAF15-07000100	PAF15-00000014
8HP (Bodensee) USA(232 cc)	OH000058 +	2 REC6G8-11181-A1	PAF15-00000014
9.9HP (209cc)	OP325500 +	2 PAF8-05000100	PAF15-00000014
9.9HP (323cc)	OP075166 - OP400999	2 PAF15-07000100	PAF25-00000013
13.5HP (International)	OP134638 +	2 PAF15-07000100	REC67C-11351-00
15HP	OP9973100 +	2 PAF15-07000100	REC67C-11351-00
25HP	OP9973100 +	2 PAF25-05040000	REC67C-11351-00
30HP	OP017000 +	3 REC67C-11181-01	REC67C-11351-00
30HP (Carb) Et (EFI)	OP153500 - OP400999	3 REC67C-11181-01	REC67C-11351-00
40HP	OP0170000 - OP153499	3 REC67C-11181-01	REC67C-11351-00
40HP (Carb)	OP153500 +	3 REC67C-11181-01	REC67C-11351-00
40HP (EFI)	OP401000 +	3 REC67C-11181-01	REC67C-11351-00
40HP (EFI)	OP153500 +	4 REC8M0045278	REC67C-11351-00

		CYL	JUNTA CULATA CYLINDER HEAD GASKET GUARNIZIONE TESTATA JOINT DE CULASSE	JUNTA BASE MOTOR CYLINDER GASKET GUARNIZIONE BASE MOTORE JOINT DE TETE MOTRICE	KIT SUPERIOR TOP KIT KIT SUPERIORE KIT SUPERIEUR
40HP	9944807 - OP016999	4	REC27-825032	REC67C-11351-00	
40HP	OP094500 - OP206999	4	REC8M0045278	REC67C-11351-00	
40HP (Italy)	OP017000 - OP094499	4	REC27-825032	REC67C-11351-00	
45HP (Bodensee)	OP017000 +	4	REC27-825032	REC67C-11351-00	
50HP (Bigfoot)	OP9944807 +	4	REC27-825032	REC67C-11351-00	
50HP (EFI)	OP153500 +	4	REC8M0045278	REC67C-11351-00	
50HP	OP094500 - OP206999	4	REC8M0045278	REC68V-11351-00	RM858732T02
60HP (EFI)	OP153500 +	4	REC8M0045278	REC68V-11351-00	RM858732T02
60HP	OP094500 - OP206999	4	REC8M0045278	REC68V-11351-00	RM858732T02
75HP (Bodensee)	OG960500 +	4	REC67F-11181-03	REC68V-11351-00	RM858732T02
75HP (EFI)	1B172291 - 1B366822	4	REC67F-11181-03	REC68V-11351-00	RM858732T02
80HP (EFI)	1B227000 - 1B366822	4	REC67F-11181-03	REC68V-11351-00	RM858732T02
90HP (4 Stroke)	OG960500 +	4	REC67F-11181-03	REC68V-11351-00	RM858732T02
90HP (EFI)	1B172291 - 1B366822	4	REC67F-11181-03		
100HP (EFI)	1B227000 - 1B366822	4	REC67F-11181-03		RM27-896142A07
115HP (EFI)	OT178500 - 1B366822	4	REC67F-11181-03		RM27-896142A07
75/80/90/100 Et 115 (EFI)	1B494360 +	4	RM27-8M0024565		RM27-896142A07
135 (VERADO)	OP419487 +	4	RM27-8M0024565		RM27-896142A07
150 (VERADO)	OP419487 +	4	RM27-8M0024565		RM27-880552A07
175 (VERADO)	OP419487 +	4	RM27-8M0024565		RM27-880552A07
200 (VERADO)	OP514869 +	4	RM27-8M0024565	REC69J-11351-11	REC6P2-W0001-01
200HP (VERADO)	OP520553 +	6	RM27-8M0033476		RM27-880552A07
225SHP (VERADO)	OP409357 +	6	RM27-8M0033476		RM27-880552A07
225SHP (EFI)	OT653945 +	V6	REC69J-11181-03 REC69J-11182-03		RM27-880552A07
250HP (VERADO)	OP409357 +	6	RM27-8M0033476		RM27-880552A07
275SHP (VERADO)	OP464488 +	6	RM27-8M0033476		RM27-880552A07
300HP (VERADO)	OP520553 +	6	RM27-8M0033476		
350HP (VERADO)	2B141617 +	6	RM27-8M0033476		
400HP (VERADO)	2B141124 +	6	RM27-8M0033476		

4T
STROKES

RETENES ACEITE				OIL SEALS				PARAOLIO				JOINT SPI			
REF	RO OEM	EJE SHAFTT ASSE AXE	CALIBRE BORET GUE JOIE	REF	RO OEM	EJE SHAFTT ASSE AXE	CALIBRE BORET GUE JOIE	REF	RO OEM	EJE SHAFTT ASSE AXE	CALIBRE BORET GUE JOIE	REF	RO OEM	EJE SHAFTT ASSE AXE	CALIBRE BORET GUE JOIE
REC26-12709	26-12709	0.5000	0.6875	REC26-70081	26-70081	1.1875	1.7500	REC26-70081	26-70081	1.1875	1.7500	REC26-70081	26-70081	1.1875	1.7500
REC26-76868	26-14077	2.0000	2.6875	REC26-72785	26-72785	0.8125	1.8750	REC26-72785	26-72785	0.8125	1.8750	REC26-72785	26-72785	0.8125	1.8750
REC26-14240	26-14240	3.7500	4.5000	REC26-76868	26-76868	1.1875	1.6875	REC26-76868	26-76868	1.1875	1.6875	REC26-76868	26-76868	1.1875	1.6875
REC26-16977	26-16977	0.8750	1.2500	REC26-79831	26-79831	0.7500	0.7500	REC26-79831	26-79831	0.7500	0.7500	REC26-79831	26-79831	0.7500	0.7500
REC26-807006	26-18816	1.6750	2.2500	REC26-816464	26-816464	0.3750	2.2500	REC26-816464	26-816464	0.3750	2.2500	REC26-816464	26-816464	0.3750	2.2500
REC908855	26-20070	0.6250	1.0000	REC26-821092	26-821092	1.5000	0.7500	REC26-821092	26-821092	1.5000	0.7500	REC26-821092	26-821092	1.5000	0.7500
REC26-24590	26-24590	0.4062	0.5625	REC26-00173	26-85107			REC26-00173	26-85107			REC26-00173	26-85107		
REC26-30913	26-30913	0.5000	0.8750	REC26-70080	26-89236	0.3750	1.5000	REC26-70080	26-89236	0.3750	1.5000	REC26-70080	26-89236	0.3750	1.5000
REC26-32511	26-32511	1.2500	2.0000	REC26-89238	26-89238	0.8750	1.2500	REC26-89238	26-89238	0.8750	1.2500	REC26-89238	26-89238	0.8750	1.2500
REC26-55682	26-32911	1.0000	1.2500	REC26-90562	26-90562	0.7500	1.5000	REC26-90562	26-90562	0.7500	1.5000	REC26-90562	26-90562	0.7500	1.5000
REC26-33467	26-33467	0.6250	1.1250	REC26-94038	26-94038	1.0000	0.8750	REC26-94038	26-94038	1.0000	0.8750	REC26-94038	26-94038	1.0000	0.8750
REC26-419533	26-41953	1.1875	1.8750	REC26-897153	26-90063	0.4375	1.3750	REC26-897153	26-90063	0.4375	1.3750	REC26-897153	26-90063	0.4375	1.3750
REC26-43036	26-43036	1.0469	1.4688	REC26-90562	26-90562			REC26-90562	26-90562			REC26-90562	26-90562		
REC26-43993	26-43943														
REC26-45587	26-45587	0.3906	0.6250												
REC26-55682	26-55682	1.0000	1.2500												
REC26-56397	26-56397	0.7500	1.1250												
REC320961	26-56788	0.8750	1.2500												
REC26-62818	26-62818	1.6250	2.2500												
REC26-823894	26-68493	2.2500	3.0000												
REC26-69188	26-69188	0.8750	1.2500												
REC26-69189	26-69189	0.8750	1.3125												



4T
STROKES

AROS TÓRICOS CULATA			CYLINDER HEAD O-RINGS			O-RINGS TESTAT			JOINT TORIQUE DE CULASSE		
REF	OEM		REF	OEM		REF	OEM		REF	OEM	
REC25-818573	25-818573	3.0L				REC93210-25552	25-887812	225 EFI V6 OT653945+			
REC8597721	8597721-1	V6 2.5L									
REC67C-11356-00	25-854341	30 -40 HP CARB Et EFI									




new

RETENES TAPA CULATA


GASKET CYLINDER SEALS

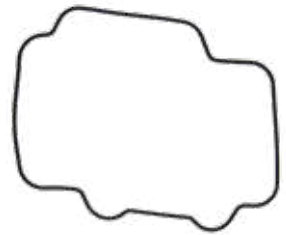
PARAOILIO COPERCHIO TESTATA


JOINT COUVERCLE DE CULASSE

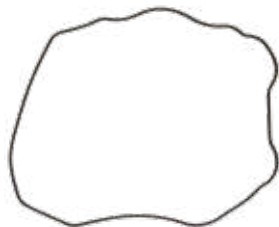
REF	OEM	
PAF8-05000002	27-803508017	8, 9,9HP (209cc)



REF	OEM	
PAF15-07050002	850837	8 Bodensee 9.9 HP 13.5 HP 15 HP



REF	OEM	
PAF25-05000004	25-833103	25HP






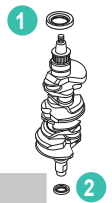
GUÍA JUNTAS EFI


ENGINE GASKET EFI

GUIDA GUARNIZIONE MOTORE EFI

GUIDE DES JOINTS MOTEUR EFI

			CYL			1	2
30 EFI	OP153500 - OP400999		3	REC67C-11351-00	REC67C-11181-01	PAF25-05020003	PAF25-05020002
30 EFI	OT409000 - 1B226999		3	REC67C-11351-00	REC67C-11181-01	PAF25-05020003	PAF25-05020002
30 EFI	1C109093 - 1C456299		3	REC67C-11351-00	REC67C-11181-01	PAF25-05020003	PAF25-05020002
30 EFI	1C456300 +		3	REC67C-11351-00		PAF25-05020003	PAF25-05020002
40 EFI	OP153500 - OP400999	BEL	3	REC67C-11351-00	REC67C-11181-01	PAF25-05020003	PAF25-05020002
40 EFI	OP401000 - OP515896	BEL	3	REC67C-11351-00	REC67C-11181-01	PAF25-05020003	PAF25-05020002
40 EFI	OP409000 - 1B226999	USA	3	REC67C-11351-00	REC67C-11181-01	PAF25-05020003	PAF25-05020002
40 EFI	1B227000 - 1B355027	USA	3	REC67C-11351-00	REC67C-11181-01	PAF25-05020003	PAF25-05020002
40 EFI	1C000001 - 1C043416		3	REC67C-11351-00	REC67C-11181-01	PAF25-05020003	PAF25-05020002
40 EFI	1C043417 - 1C456299		3	REC67C-11351-00	REC67C-11181-01	PAF25-05020003	PAF25-05020002
40 EFI	1C456300 +		3	REC67C-11351-00	REC67C-11181-01	PAF25-05020003	PAF25-05020002
40 EFI	OP153500 - OP400999	BEL	4	REC67C-11351-00	REC8M0045278	PAF25-05020003	PAF25-05020002
40 EFI	OP401000 - OP515896	BEL	4	REC67C-11351-00	REC8M0045278	PAF25-05020003	PAF25-05020002
40 EFI	OP515897 - OP580772	BEL	4	REC67C-11351-00	REC8M0045278	PAF25-05020003	PAF25-05020002
40 EFI	OT409000 - 1B355222	USA	4	REC67C-11351-00	REC8M0045278	PAF25-05020003	PAF25-05020002
40 EFI	1C000001 - 1C050251	USA	4	REC67C-11351-00	REC8M0045278	PAF25-05020003	PAF25-05020002
40 EFI	1C050252 - 1C453839	USA	4	REC67C-11351-00	REC8M0045278	PAF25-05020003	PAF25-05020002
40 EFI & SEAPRO	1C453840 +	USA	4	REC67C-11351-00	REC8M0045278	PAF25-05020003	PAF25-05020002
50 EFI	OP153500 - OP400999	BEL	4	REC67C-11351-00	REC8M0045278	PAF25-05020003	PAF25-05020002
50 EFI	OP401000 - OP515896	BEL	4	REC67C-11351-00	REC8M0045278	PAF25-05020003	PAF25-05020002
50 EFI	OP515897 - OP580772	BEL	4	REC67C-11351-00	REC8M0045278	PAF25-05020003	PAF25-05020002
50 EFI	OT409000 - 1B355222	USA	4	REC67C-11351-00	REC8M0045278	PAF25-05020003	PAF25-05020002
50 EFI	1C000001 - 1C050251	USA	4	REC67C-11351-00	REC8M0045278	PAF25-05020003	PAF25-05020002
50 EFI	1C050252 - 1C453839	USA	4	REC67C-11351-00	REC8M0045278	PAF25-05020003	PAF25-05020002
50 EFI	1C453840 +	USA	4	REC67C-11351-00	REC8M0045278	PAF25-05020003	PAF25-05020002
60 EFI	OP153500 - OP400999	BEL	4	REC67C-11351-00	REC8M0045278	PAF25-05020003	PAF25-05020002
60 EFI	OP401000 - OP515896	BEL	4	REC67C-11351-00	REC8M0045278	PAF25-05020003	PAF25-05020002
60 EFI	OP515897 - OP580772	BEL	4	REC67C-11351-00	REC8M0045278	PAF25-05020003	PAF25-05020002
60 EFI	OT409000 - 1B355222	USA	4	REC67C-11351-00	REC8M0045278	PAF25-05020003	PAF25-05020002
60 EFI	1C000001 - 1C050251	USA	4	REC67C-11351-00	REC8M0045278	PAF25-05020003	PAF25-05020002
60 EFI	1C050252 - 1C453839	USA	4	REC67C-11351-00	REC8M0045278	PAF25-05020003	PAF25-05020002
60 EFI & SEAPRO	1C453840 +	USA	4	REC67C-11351-00	REC8M0045278	PAF25-05020003	PAF25-05020002
75 EFI	1B172291 - 1B366822	USA	4	REC68V-11351-00	REC67F-11181-03		
75 EFI	1B366823 - 2B094995	USA	4	REC27-8M0024563	RM27-8M0024565	REC26-8M0032912	REC26-897540
80 EFI	OP459572 - 2B094995	BEL	4	REC27-8M0024563	RM27-8M0024565	REC26-8M0032912	REC26-897540
80 EFI	1B227000 - 1B366822	USA	4	REC68V-11351-00	REC67F-11181-03		
80 EFI	1B366823 - 2B094995	USA	4	REC27-8M0024563	RM27-8M0024565	REC26-8M0032912	REC26-897540
90 EFI	1B172291 - 1B366822	USA	4	REC68V-11351-00	REC67F-11181-03		
90 EFI	1B366823 - 2B094995	USA	4	REC27-8M0024563	RM27-8M0024565	REC26-8M0032912	REC26-897540
100 EFI	OP459572 - 2B094995	BEL	4	REC27-8M0024563	RM27-8M0024565	REC26-8M0032912	REC26-897540
100 EFI	1B227000 - 1B366822	USA	4	REC68V-11351-00	REC67F-11181-03		
100 EFI	1B366823 - 2B094995	USA	4	REC27-8M0024563	RM27-8M0024565	REC26-8M0032912	REC26-897540
115 EFI	OT178500 - OT800999	USA	4	REC68V-11351-00	REC67F-11181-03	REC93102-48009	
115 EFI	OT801000 - 1B226999	USA	4	REC68V-11351-00	REC67F-11181-03	REC93102-48009	
115 EFI	1B227000 - 1B366822	USA	4	REC68V-11351-00	REC67F-11181-03	REC93102-48009	
115 EFI	1B366823 - 2B094995	USA	4	REC27-8M0024563	RM27-8M0024565	REC26-8M0032912	REC26-897540
135	2B131942 +		4	REC27-8M0057703	REC27-8M6000366	REC26-8M0035127	
135 VERADO	OP419487 - OP464487	BEL	4	REC27-896142	RM27-8M0024565	REC26-8M0032912	



					 CYL	 1	 2
135 VERADO	OP464488 - OP514868	BEL	4	REC27-896142	RM27-8M0024565	REC26-8M0032912	
135 VERADO	OP514869 - OP593020	BEL	4	REC27-896142	RM27-8M0024565	REC26-8M0032912	
135 VERADO	1B227000 - 1B381711	USA	4	REC27-896142	RM27-8M0024565	REC26-8M0032912	
135 VERADO	1B381712 - 1B517158	USA	4	REC27-896142	RM27-8M0024565	REC26-8M0032912	
135 VERADO	1B517159 - 2B576734	USA	4	REC27-896142	RM27-8M0024565	REC26-8M0032912	
150	1B905505 +		4	REC27-8M0057703	REC27-8M6000366	REC26-8M0035127	
150 SEAPRO	2B139139 +		4	REC27-8M0057703	REC27-8M6000366	REC26-8M0035127	
150 Pro XS	2B550139 +		4	REC27-8M0057703	REC27-8M6000366	REC26-8M0035127	
150 VERADO	OP419487 - OP464487	BEL	4	REC27-896142	RM27-8M0024565	REC26-8M0032912	
150 VERADO	OP464488 - OP514868	BEL	4	REC27-896142	RM27-8M0024565	REC26-8M0032912	
150 VERADO	OP514869 - OP593020	BEL	4	REC27-896142	RM27-8M0024565	REC26-8M0032912	
150 VERADO	1B227000 - 1B381711	USA	4	REC27-896142	RM27-8M0024565	REC26-8M0032912	
150 VERADO	1B381712 - 1B517158	USA	4	REC27-896142	RM27-8M0024565	REC26-8M0032912	
150 VERADO	1B517159 - 2B576734	USA	4	REC27-896142	RM27-8M0024565	REC26-8M0032912	
175 VERADO	OP419487 - OP464487	BEL	4	REC27-896142	RM27-8M0024565	REC26-8M0032912	
175 VERADO	OP464488 - OP514868	BEL	4	REC27-896142	RM27-8M0024565	REC26-8M0032912	
175 VERADO	OP514869 - OP593020	BEL	4	REC27-896142	RM27-8M0024565	REC26-8M0032912	
175 VERADO	1B227000 - 1B381711	USA	4	REC27-896142	RM27-8M0024565	REC26-8M0032912	
175 VERADO	1B381712 - 1B517158	USA	4	REC27-896142	RM27-8M0024565	REC26-8M0032912	
175 VERADO	1B517159 - 2B576734	USA	4	REC27-896142	RM27-8M0024565	REC26-8M0032912	
200 VERADO	OP514869 - OP593020	BEL	4	REC27-896142	RM27-8M0024565	REC26-8M0032912	
200 VERADO	1B517159 - 2B576734	USA	4	REC27-896142	RM27-8M0024565	REC26-8M0032912	
200 VERADO	OP409357 - OP464487	BEL	6	REC27-880624003	RM27-8M0033476	REC26-8M0032912	
200 VERADO	OP464488 - OP520552	BEL	6	REC27-880624003	RM27-8M0033476	REC26-8M0032912	
200 VERADO	OP520553 - 2B144122	BEL	6	REC27-880624003	RM27-8M0033476	REC26-8M0032912	
200 VERADO	OT980000 - 1B226999	USA	6	REC27-880624003	RM27-8M0033476	REC26-8M0032912	
200 VERADO	1B227000 - 1B381711	USA	6	REC27-880624003	RM27-8M0033476	REC26-8M0032912	
200 VERADO	1B381712 - 1B517433	USA	6	REC27-880624003	RM27-8M0033476	REC26-8M0032912	
200 VERADO	1B517434 - 2B144122	USA	6	REC27-880624003	RM27-8M0033476	REC26-8M0032912	
200 VERADO	2B144123 - 2B578935	USA	6	REC27-880624003	RM27-8M0033476	REC26-8M0032912	
200 Pro VERADO	2B034840 - 2B144122		6	REC27-880624003	RM27-8M0033476	REC26-8M0032912	
200 Pro VERADO	2B144123 - 2B577715		6	REC27-880624003	RM27-8M0033476	REC26-8M0032912	
225 EFI	OT653945 +	USA	6	REC69J-11351-11	REC69J-11181-03 REC69J-11182-03	REC93102-63004	
225 VERADO	OP409357 - OP464487	BEL	6	REC27-880624003	RM27-8M0033476	REC26-8M0032912	
225 VERADO	OP464488 - OP520552	BEL	6	REC27-880624003	RM27-8M0033476	REC26-8M0032912	
225 VERADO	OP520553 - 2B144122	BEL	6	REC27-880624003	RM27-8M0033476	REC26-8M0032912	
225 VERADO	OT980000 - 1B226999	USA	6	REC27-880624003	RM27-8M0033476	REC26-8M0032912	
225 VERADO	1B227000 - 1B381711	USA	6	REC27-880624003	RM27-8M0033476	REC26-8M0032912	
225 VERADO	1B381712 - 1B517433	USA	6	REC27-880624003	RM27-8M0033476	REC26-8M0032912	
225 VERADO	1B517434 - 2B144122	USA	6	REC27-880624003	RM27-8M0033476	REC26-8M0032912	
225 VERADO	2B144123 - 2B578935	USA	6	REC27-880624003	RM27-8M0033476	REC26-8M0032912	
250 VERADO	OP409357 - OP464487	BEL	6	REC27-880624003	RM27-8M0033476	REC26-8M0032912	
250 VERADO	OP464488 - OP520552	BEL	6	REC27-880624003	RM27-8M0033476	REC26-8M0032912	
250 VERADO	OP520553 - 2B144122	BEL	6	REC27-880624003	RM27-8M0033476	REC26-8M0032912	
250 VERADO	OT980000 - 1B226999	USA	6	REC27-880624003	RM27-8M0033476	REC26-8M0032912	
250 VERADO	1B227000 - 1B381711	USA	6	REC27-880624003	RM27-8M0033476	REC26-8M0032912	
250 VERADO	1B381712 - 1B517433	USA	6	REC27-880624003	RM27-8M0033476	REC26-8M0032912	
250 VERADO	1B517434 - 2B144122	USA	6	REC27-880624003	RM27-8M0033476	REC26-8M0032912	
250 VERADO	2B144123 - 2B578935	USA	6	REC27-880624003	RM27-8M0033476	REC26-8M0032912	
250 PRO VERADO	1B830170 - 2B144122		6	REC27-880624003	RM27-8M0033476	REC26-8M0032912	
250 PRO VERADO	2B144123 - 2B577715	USA	6	REC27-880624003	RM27-8M0033476	REC26-8M0032912	
275 VERADO	OP409357 - OP464487	BEL	6	REC27-880624003	RM27-8M0033476	REC26-8M0032912	
275 VERADO	OP464488 - OP520552	BEL	6	REC27-880624003	RM27-8M0033476	REC26-8M0032912	
275 VERADO	OP520553 - 2B144122	BEL	6	REC27-880624003	RM27-8M0033476	REC26-8M0032912	
275 VERADO	OT980000 - 1B226999	USA	6	REC27-880624003	RM27-8M0033476	REC26-8M0032912	
275 VERADO	1B227000 - 1B381711	USA	6	REC27-880624003	RM27-8M0033476	REC26-8M0032912	
275 VERADO	1B381712 - 1B517433	USA	6	REC27-880624003	RM27-8M0033476	REC26-8M0032912	
275 VERADO	1B517434 - 2B144122	USA	6	REC27-880624003	RM27-8M0033476	REC26-8M0032912	
275 VERADO	2B144123 - 2B578935	USA	6	REC27-880624003	RM27-8M0033476	REC26-8M0032912	
300 VERADO	OP520553 - 2B144122	BEL	6	REC27-880624003	RM27-8M0033476	REC26-8M0032912	
300 VERADO	1B517434 - 2B144122	USA	6	REC27-880624003	RM27-8M0033476	REC26-8M0032912	
300 VERADO	2B144123 - 2B578935	USA	6	REC27-880624003	RM27-8M0033476	REC26-8M0032912	
300 PRO VERADO	1B830170 - 2B144122		6	REC27-880624003	RM27-8M0033476	REC26-8M0032912	
300 PRO VERADO	2B144123 - 2B577715	USA	6	REC27-880624003	RM27-8M0033476	REC26-8M0032912	
350SCi VERADO	1B716557 - 2B143542		6	REC27-880624003		REC26-8M0032912	
350 2.6L L6 VERADO	2B141617 +	USA	6	REC27-880624003		REC26-8M0032912	
350 2.6L L6 PRO VERADO	2B141124 +	USA	6	REC27-880624003		REC26-8M0032912	
400 2.6L L6 VERADO	2B618256 +	USA	6	REC27-880624003		REC26-8M0032912	
400R 2.6L L6 RACING	2B141124 +	USA	6	REC27-880624003		REC26-8M0032912	

BOMBA DE ACEITE

OIL PUMP

POMPA OLIO

POMPE À HUILE



4T
STROKES


BOMBA Y JUNTAS



GASKET & PUMPS


POMPE E GUARNIZIONE


POMPE ET JOINTS


REF	OEM			OEM
PAF8-05030300	834967T03	8, 9.9 HP (209 cc)	PAF8-05030012	27-853523001






REF	OEM			OEM
PAF15-07040500	834967A1	8 HP (Bodensee) (inter.) 9.9 HP (323cc) 13.5 HP (inter.) 15 HP	PAF15-07040016	27-853523



REF	OEM	
PAF25-05050400	852388T1	25 HP



REF	OEM			OEM
PAF40-05040400	857087T1	30, 40, 50, 60 HP	PAF40-05040407	



new

CIGÜEÑAL

CRANKSHAFT

ALBERO MOTORE

VILEBREQUIN

4T
STROKES

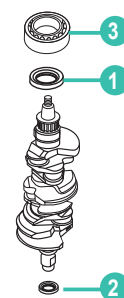
GUÍA CIGÜEÑAL COMPLETO

GUIDE CRANKSHAFT ASSY

GUIDA ALBERO MOTORE COMPLETO

GUIDE VILEBREQUIN COMPLET

	cyl	BEL SERIE	1	2	3
2.5HP, 3.5HP		OR131842+			REC30-16049
4 HP		OP401000+	REC26-803514	REC26-8537077	
5 HP		OP073456+	REC26-803514	REC26-8537077	
5 HP		OP073456+	REC26-803514	REC26-8537077	
8HP (209cc)		OP325500+	PAF8-05020001	PAF8-05020001	
8 HP Bodensee		OP086824 - OP400999	PAF15-07030006	PAF15-07030007	
9.9HP (209cc)		OP325500+	PAF8-05020001	PAF8-05020001	
9.9HP (323cc)		OP075166 - OP400999	PAF15-07030006	PAF15-07030007	
13.5HP (Intern.)		OP401000+	PAF15-07030006	PAF15-07030007	
15HP		9973100	PAF15-07030006	PAF15-07030007	
25HP		9973100	PAF25-05020003	PAF25-05020002	
30HP		OP017000+	PAF25-05020003	PAF25-05020002	
30HP Carb	3	OP153500 - OP400999	PAF25-05020003	PAF25-05020002	
30HP EFI	3	OP153500 - OP400999	PAF25-05020003	PAF25-05020002	
40HP		9944807	PAF25-05020003	PAF25-05020002	
40HP Carb	3	OP153500+	PAF25-05020003	PAF25-05020002	
40HP	4	OP094500 - OP206999	PAF25-05020003	PAF25-05020002	
40HP EFI	3	OP401000+	PAF25-05020003	PAF25-05020002	
40HP EFI	4	OP153500	PAF25-05020003	PAF25-05020002	
40HP ITALY	4	OP017000 - OP094499	PAF25-05020003	PAF25-05020002	
45HP Bodensee		OP017000+	PAF25-05020003	PAF25-05020002	
50HP		9944807	PAF25-05020003	PAF25-05020002	
50HP BIGFOOT		OP017000+	PAF25-05020003	PAF25-05020002	
50HP EFI	4	OP153500+	PAF25-05020003	PAF25-05020002	
50HP	4	OP094500 - OP206999	PAF25-05020003	PAF25-05020002	
60HP	4	OP094500 - OP206999	PAF25-05020003	PAF25-05020002	
60HP EFI	4	OP153500+	PAF25-05020003	PAF25-05020002	



MERCURY

RECAMBIOS MARINOS


4T
STROKES

COJINETES


BEARING

CUSCINETTO

ROULEMENT

REF	OEM	
REC30-16049	30-16049	4, 5, 6, 8, 9, 8 HP



REF	OEM	
REC30-72961	31-72961	3,6, 7,5, 9,8 HP 4, 4,5 HP



new

PISTONES

PISTONS

PISTONI

PISTONS

4T
STROKES

KITS DE PISTONES





PISTON KITS

KIT PISTONE

KIT PISTON

	STD		
	REF	OEM	
	PAF8-05020101	700-834963A02	
	REC39-8M0055809	39-8M0055809	8 HP (209 cc) 9.9 HP (209 cc)
	PAF8-05020105	41-825713001	
	PAF15-07020005	53-16057	



	STD		
	REF	OEM	
	PAF15-07020001	700-834963	8 HP (Bodensee) (inter.) 9.9 HP (323cc) 13.5 HP (inter.) 15 HP
	REC66N-11603-00		
	PAF15-07020006	41-825713	
	PAF15-07020005	53-82345M	



	STD		
	REF	OEM	
	PAF40-05020101	700-893524T08	
	REC67C-11603-00	39-893525A01	25, 30, 40, 50, 60 HP CARB & EFI
	PAF25-05020105	41-893863	
	PAF25-05020106	40-893529	



new




4T
STROKES

GUÍA CIGÜEÑAL, BIELAS Y PISTON

GUIDE CONNECTING ROD, CRANKSHAFT & PISTON

GUIDA ALBERO MOTORE, BIELLE E PISTONE

GUIDE VILEBREQUIN, BIELLES ET PISTONES

	BEL SERIE			
8 Bodensee (Inter.)	OP086824 - OP4000999	PAF15-07020100	PAF15-07030000	PAF15-07020001
8 & 9.9 (209cc)	OP325500 +	PAF8-05020200	PAF8-05020001	PAF8-05020101
9.9 (323cc)	OP075166 - OP400999	PAF15-07020100	PAF15-07030000	PAF15-07020001
13.5 (Inter.)	OP134638 +	PAF15-07020100	PAF15-07030000	PAF15-07020001
15.	9973100	PAF15-07020100	PAF15-07030000	PAF15-07020001
25.	9973100	PAF25-05020200	PAF25-05020001	PAF25-05020100
30, 40, 50, 60		PAF25-05020200	PAF40-05000001	PAF40-05020101

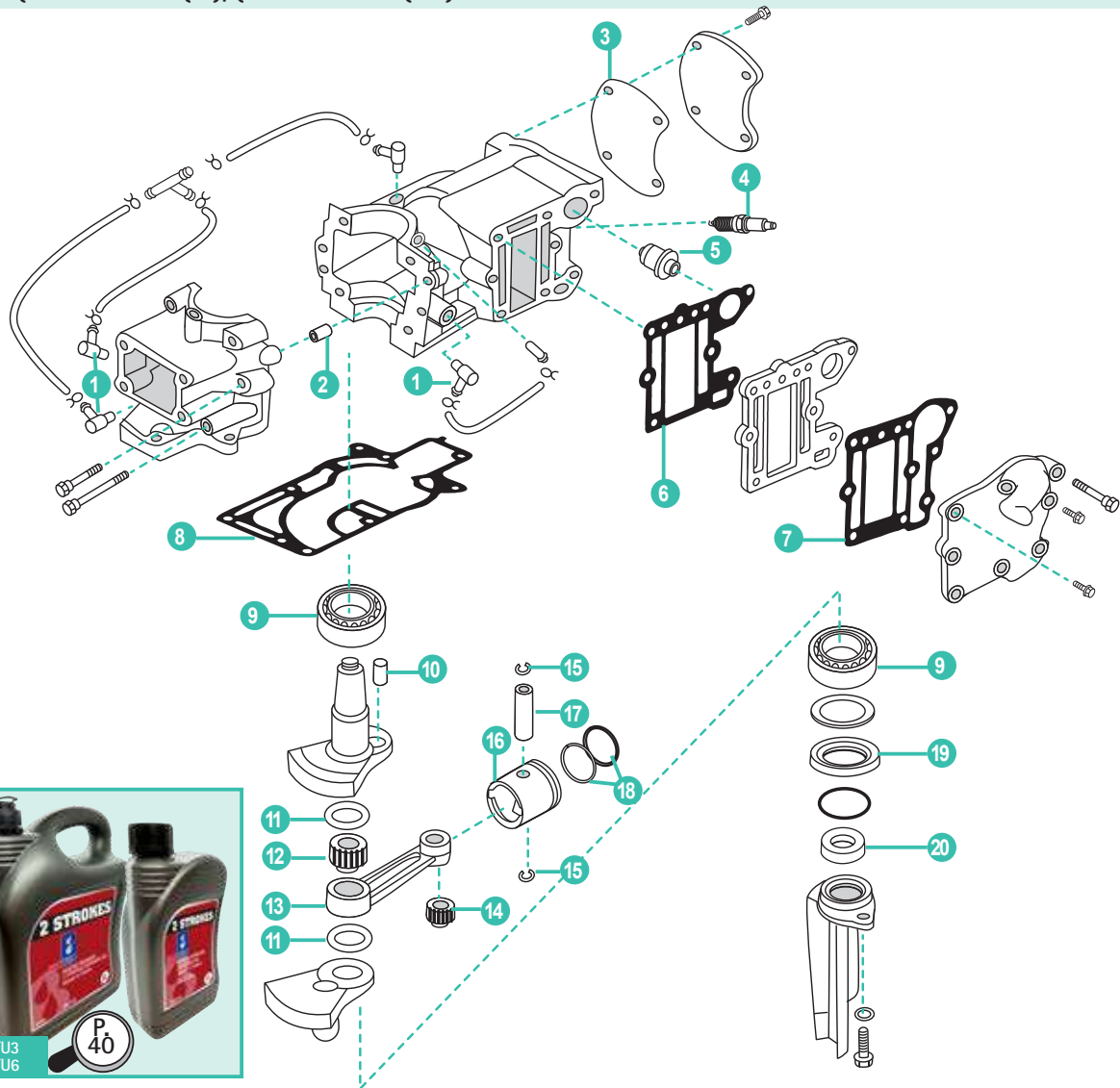
DESPIECE MOTOR DE 2 TIEMPOS

ENGINE PARTS 2 STROKES

PARTI DEL MOTORE 2 TEMPI

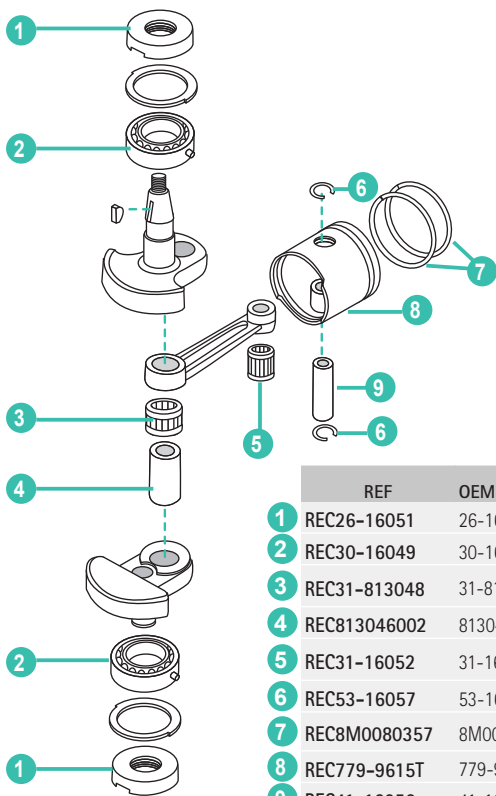
PIECES MOTEUR 2 TEMPS

2T MARINER 4A
STROKES (6E0-001011+ (M), (6E0-300101+ (ML)



	REF	OEM				UN.	
1	REC650-11370-00	21-80727M	VÁLVULA	CHECK VALVE ASSY	VALVOLA	VALVE	3
2	REC93606-12019	18842M	PIN	PIN	SPINOTTO	LEVIER	2
3	REC6E0-11193-A1	27-9991M	JUNTA TAPA	COVER GASKET	GUARNIZIONE COPERCHIO	JOINT DE COUVERCLE	1
4	NGKBR7HS	33-53098	BUJÍA	SPARK PLUG	CANDELA	BOUGIE	1
5	REC6E5-12411-02	83282M	TERMOSTATO	THERMOSTAT	TERMOSTATO	THERMOSTAT	1
6	REC6E0-41112-A1	27-99995M	JUNTA ESCAPE	EXHAUST GASKET	GUARNIZIONE SCARCIO	JOINT D'ÉCHAPPEMENT	1
7	REC6E0-41114-A1	27-99993M	JUNTA ESCAPE	EXHAUST GASKET	GUARNIZIONE SCARCIO	JOINT D'ÉCHAPPEMENT	1
8	REC6E0-45113-A1	27-91780	JUNTA BASE	ENGINE GASKET	GUARNIZIONE MOTORE	JOINT DE TÊTE MOTRICE	1
9	REC93306-204U0	30-18859M	RODAMIENTO	BEARING	CUSCINETTO	ROULEMENT	2
10	REC6G1-11681-00		PASADOR	PIN	FERMO	GOUPILLE	1
11	REC90209-18112		ARANDELA	WASHER	RONDELLA	RONDELLE	1
12	REC93310-418V1		RODAMIENTO	BEARING	CUSCINETTO	ROULEMENT	1
13	REC6E0-11651-01		BIELA	CONNECTING ROD	BIELLA	BIELLE	2
14	REC93310-112V0	31-91721M	RODAMIENTO	BEARING	CUSCINETTO	ROULEMENT	1
15	REC93450-13022	53-82342M	CIRCLIP	CIRCLIP	CIRCLIP	CIRCLIP	2
16	REC6E0-11631-00-98K	761-8256M	PISTON	PISTON	PISTONE	PISTON	1
17	REC6G1-11633-00	41-95601M	BULÓN	PIN, PISTON	BULLONE	AXE DE PISTON	1
18	REC6G1-11610-00	39-11462M	KIT AROS PISTON	PISTON RING	FASCE PISTONI	KIT SEGMENTS	1
	REC6J1-11610-00	39-14197M	KIT AROS PISTON (5C)	PISTON RING (5C)	FASCE PISTONI (5C)	KIT SEGMENTS (5C)	1
19	REC93101-20M29	26-18843M	RETÉN	SEAL OIL	PARAOILIO	JOINT SPI	1
20	REC93101-10M25	26-95472M	RETÉN	SEAL OIL	PARAOILIO	JOINT SPI	1

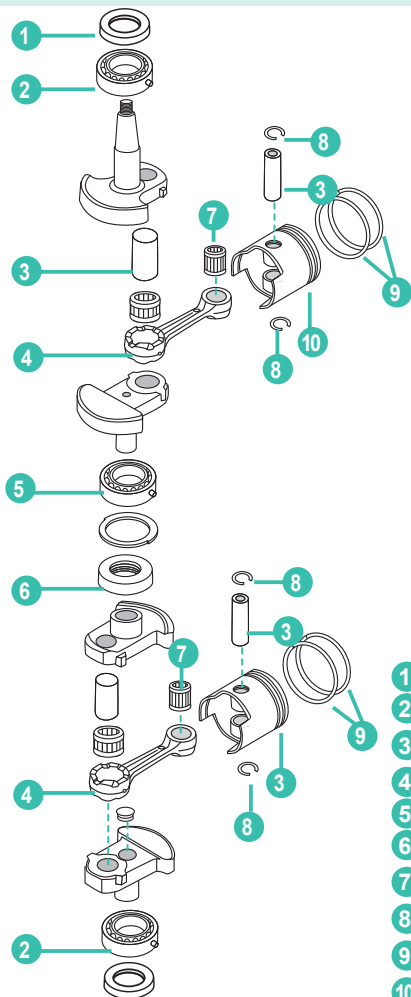
2T 4 HP • 5 HP
STROKES



	REF	OEM				UN.	
1	REC26-16051	26-16051	RETÉN ACEITE	OIL SEAL	PARAOLIO	JOINT SPI	2
2	REC30-16049	30-16049	RODAMIENTO	BEARING	CUSCINETTO	ROULEMENT	2
3	REC31-813048	31-813048	COJINETE DE AGUJA	BEARING	CUSCINETTO	ROULEMENT À AIGUILLE	1
4	REC813046002	813046002	PIN CENTRADOR	PIN DOWEL	SPINOTTO DI CENTRAGGIO	PIN DE CENTRAGE	1
5	REC31-16052	31-16052	COJINETE ADE AGUJA	BEARING	CUSCINETTO	ROULEMENT À AIGUILLE	1
6	REC53-16057	53-16057	CIRCLIP	CIRCLIP	CIRCLIP	CIRCLIP	2
7	REC8M0080357	8M0080357	KIT SEGMENTOS DE PISTÓN	PISTON RING KIT	KIT FASCIA PISTONE	KIT SEGMENTS	2
8	REC779-9615T	779-9615T	PISTÓN STD	PISTON STD	PISTONE STD	PISTON STD	1
9	REC41-16056	41-16041	PIN, PISTÓN	PIN, PISTON	SPINOTTO PISTONE	AXE DE PISTON	1



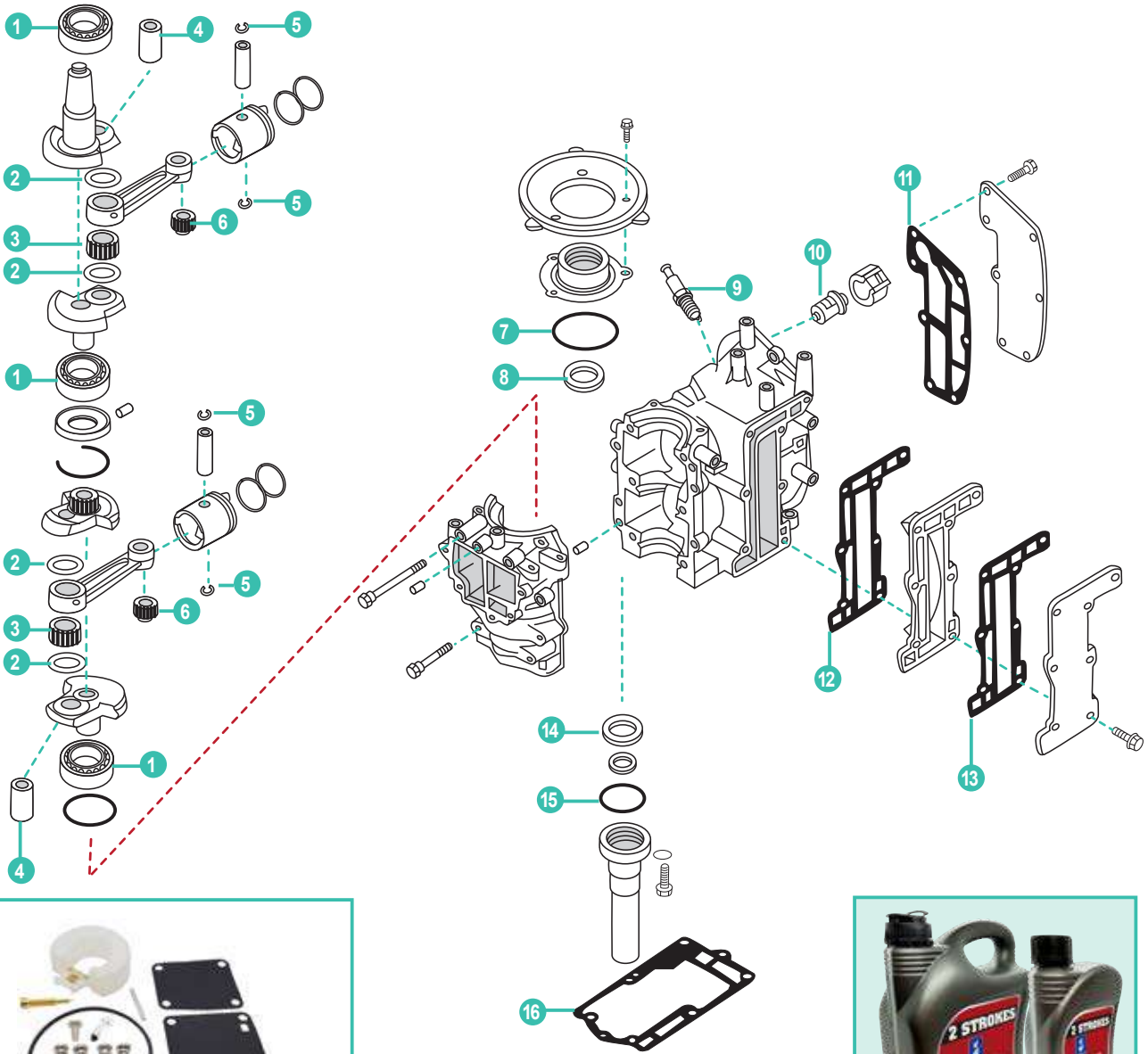
2T 6, 8, 9.8 HP (2 CYL) INT.
STROKES



	REF	OEM				UN.	
1	REC26-803514	25-803514	RETÉN ACEITE	OIL SEAL	PARAOLIO	JOINT SPI	1
2	REC30-16049	30-16049	RODAMIENTO	BEARING	CUSCINETTO	ROULEMENT	2
3	REC41-8036801	41-8036801	PIN CENTRADOR	PIN DOWEL	SPINOTTO DI CENTRAGGIO	PIN DE CENTRAGE	2
4	REC629-8036741	629-8036741	BIELA	CONNECTING ROD	BIELLA	BIELLE	2
5	REC30-16049	30-16049	RODAMIENTO	BEARING	CUSCINETTO	ROULEMENT	1
6	REC26-85370711	26-85370711	RETÉN ACEITE	OIL SEAL	PARAOLIO	JOINT SPI	1
7	REC31-8036752	31-8036752	COJINETE ADE AGUJA	BEARING	CUSCINETTO	ROULEMENT À AIGUILLE	2
8	REC53-16057	53-16057	CIRCLIP	CIRCLIP	CIRCLIP	CIRCLIP	2
9	REC39-803678A3	39-803678A3	KIT SEGMENTOS DE PISTÓN	PISTON RING KIT	KIT FASCIA PISTONE	KIT SEGMENTS	4
10	REC779-804886	779-804886	PISTÓN STD	PISTON STD	PISTONE STD	PISTON STD	2



2T MARINER 6C/D, 8C
STROKES



REF OEM
REC6G1-W0093-00 11502M

P. 100

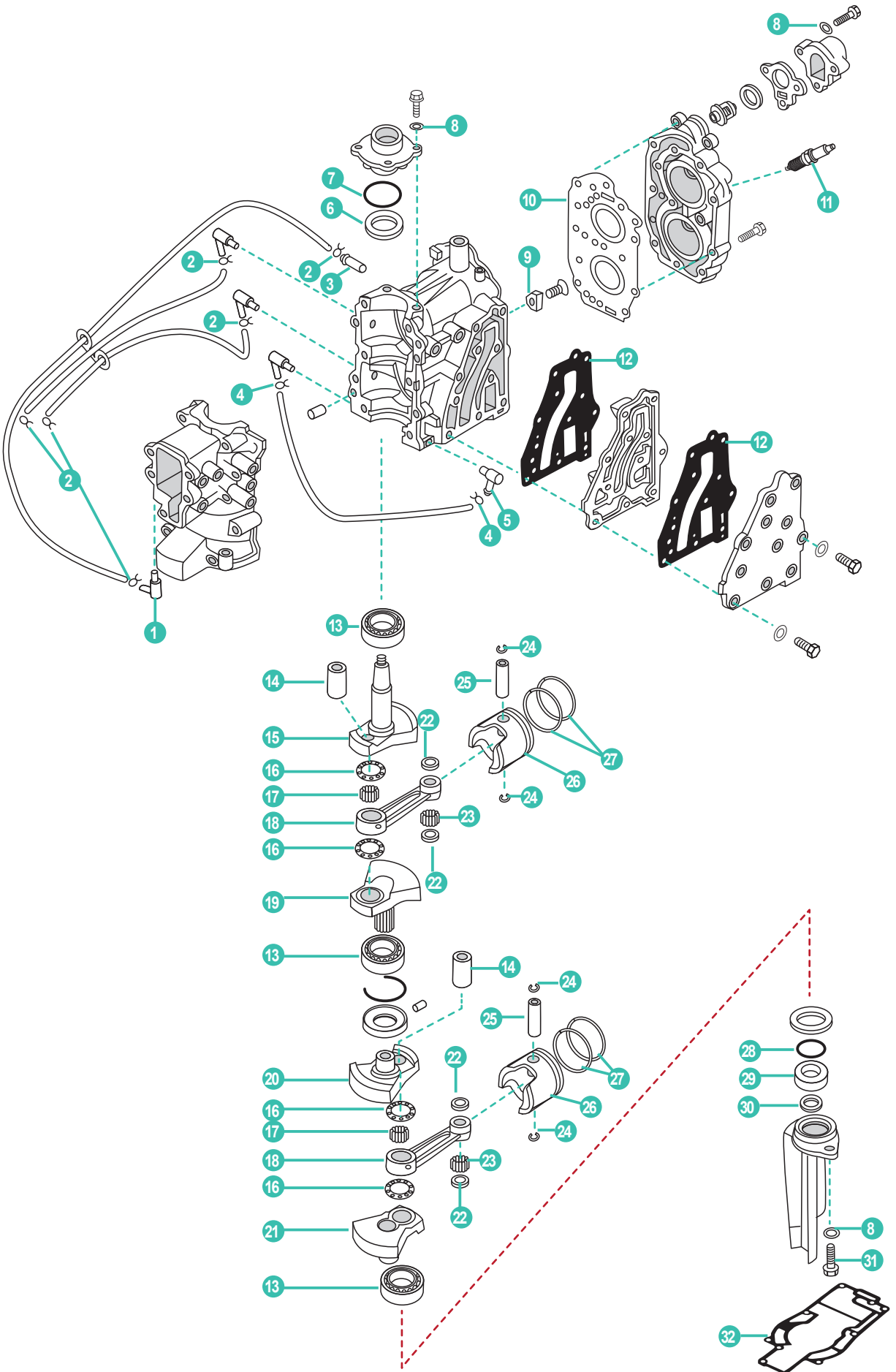


REC2TU3
REC2TU6

P. 40

	REF	OEM					UN.
1	REC93306-204U0	30-82299M	RODAMIENTO	BEARING	CUSCINETTO	ROULEMENT	3
2	REC90209-18112		ARANDELA	WASHER	RONDELLA	RONDELLE	4
3	REC93310-418V1		RODAMIENTO	BEARING	CUSCINETTO	ROULEMENT	2
4	REC6G1-11681-00		PIN CENTRADOR	PIN DOWEL	SPINOTTO DI CENTRAGGIO	PIN DE CENTRAGE	2
5	REC93450-13022	53-82342M	CIRCLIP	CIRCLIP	CIRCLIP	CIRCLIP	4
6	REC93310-112V0	31-91721M	RODAMIENTO	BEARING	CUSCINETTO	ROULEMENT	2
7	REC93210-54M54	25-11451M	ARO TÓRICO	O-RING	O-RING	JOINT TORIQUE	1
8	REC93102-20M25	26-14195M	RETÉN ACEITE	OIL SEAL	PARAOLIO	JOINT SPI	1
9	NGKBR7HS-10	33-41263M	BUJÍA	SPARK PLUG	CANDELA	BOUGIE	2
9	NGKBR6HS-10	33-11458M	BUJÍA	SPARK PLUG	CANDELA	BOUGIE	2
10	REC6E5-12411-02	11919M	TERMOSTATO	THERMOSTAT	TERMOSTATO	THERMOSTAT	1
11	REC6G1-11193-A1	27-11454M	JUNTA TAPA TERMOSTATO	GASKET VALVE COVER	GUARNIZIONE COPERCHIO VALVOLA	JOINT DE COUVERCLE	1
12	REC6G1-41112-A1	27-11456M	JUNTA ESCAPE	EXHAUST GASKET	GUARNIZIONE SCARICO	JOINT D'ECHAPPEMENT	1
13	REC6G1-41114-A0	27-11456M	JUNTA ESCAPE	EXHAUST GASKET	GUARNIZIONE SCARICO	JOINT D'ECHAPPEMENT	1
14	REC93101-20M34	23-81841M	RETÉN ACEITE	OIL SEAL	PARAOLIO	JOINT SPI	1
15	REC93210-42159	26-94663M	ARO TÓRICO	O-RING	O-RING	JOINT TORIQUE	1
16	REC6G1-45113-A1	27-11560M	JUNTA BASE	ENGINE GASKET	GUARNIZIONE MOTORE	JOINT DE TETE MOTRICE	1

2T
STROKES 8K (K-LONG / K-SHORT)
W8 (W/MARATHON)



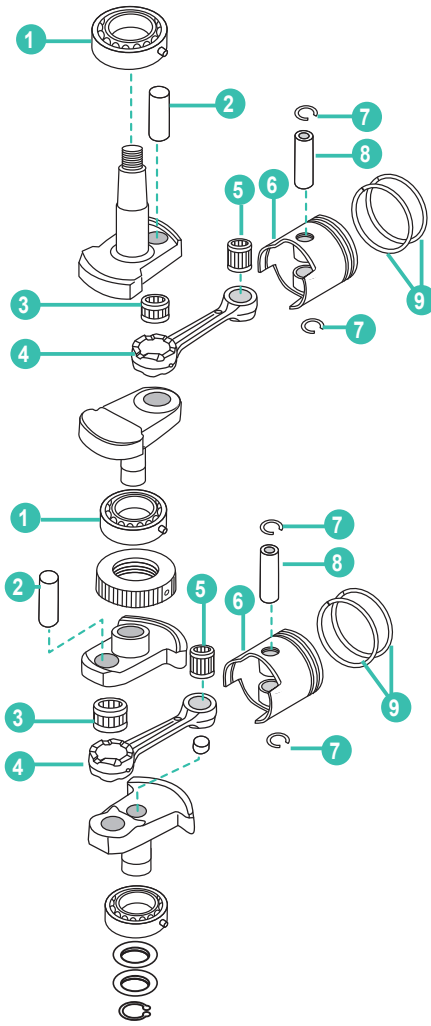
MERCURY MARINER

RECAMBIOS
MARINOS

	REF	OEM				UN.	
1	REC650-11370-00	21-80727M	NIPLE DE MANGUERA	NIPPLE	TUBO	RACCORD D'EAU	1
2	PAHT-2.5X60		PRESILLA	CLIP	CLIP	CLIPS	6
3	REC624-14485-00		PIPA DE AGUA	PIPE, WATER	TUBO	RACCORD TUYAU D'EAU	1
4	PAF4-04000030		PRESILLA	CLIP	CLIP	CLIPS	2
5	PAF15-04000005		NIPLE DE MANGUERA	NIPPLE	TUBO	RACCORD D'EAU	1
6	REC93102-20M25	26-14195M	RETÉN DE ACEITE	OIL SEAL	PARAOLIO	JOINT SPI	1
7	REC93210-42159	25-82276M	TÓRICA	O-RING	O-RING	JOINT TORIQUE	1
8	PAGB/T97.1-6		ARANDELA	WASHER	RONDELLA	RONDELLE	6
9	TEN01121	84732M	ÁNODO	ANODE	ANODO	ANODE	1
10	REC677-11181-A0	27-95595M	JUNTA CULATA	GASKET, CYLINDER HEAD	GUARNIZIONE TESTATA	JOINT DE CULASSE	1
11	NGKB7HS-10	33-82370M	BUJÍA	SPARK PLUG	CANDELA	BOUGIE	2
12	REC677-41112-A0	27-95597M	JUNTA DE ESCAPE	EXHAUST GASKET	GUARNIZIONE DI SCARICO	JOINT D'ECHAPPEMENT	2
13	REC93306-204U0	30-18859M	RODAMIENTO	BALL BEARING	CUSCINETTO	ROULEMENT À BILLE	3
14	REC6G1-11681-00	17-14193M	PIN	PIN	SPINOTTO	LEVIER D'ENTRAINEMENT	2
15	REC677-11412-02		CIGÜEÑAL 1	CRANK 1	ALBERO MOTORE 1	VILEBREQUIN 1	1
16	REC90209-18112	12-84620M	ARANDELA	WASHER	RONDELLA	RONDELLE	4
17	REC93310-418U0	31-94769M	COJINETE DE BIELA	BEARING, CONNECTING ROD	CUSCINETTO BIELLA	PALIER DE BIELLE	2
18	REC6E0-11651-01	629-9492M	BIELA	CONNECTING ROD	BIELLA	BIELLE	2
19	REC677-11422-02		CIGÜEÑAL 2	CRANK 2	ALBERO MOTORE 2	VILEBREQUIN 2	1
20	REC677-11432-02		CIGÜEÑAL 3	CRANK 3	ALBERO MOTORE 3	VILEBREQUIN 3	1
21	REC677-11442-02		CIGÜEÑAL 4	CRANK 4	ALBERO MOTORE 4	VILEBREQUIN 4	1
22	REC90201-12565	12-81816M	ARANDELA PLANA	WASHER PLATE	RONDELLA PIANA	RONDELLE	4
23	REC93602-14118	29-82350M	COJINETE DE BIELA	BEARING, CONNECTING ROD	CUSCINETTO BIELLA	PALIER DE BIELLE	56
24	REC93450-13022	53-82342M	CIRCLIP	CIRCLIP	CIRCLIP	CIRCLIP	4
25	REC6G1-11633-00	41-95601M	PIN, PISTÓN	PIN, PISTON	SPINOTTO PISTONE	AXE DE PISTON	2
	REC677-11631-00K	761-8224M	PISTÓN STD	PISTON STD	PISTONE STD	PISTON STD	
26	REC677-11635-00K	761-8225M	PISTÓN 0.25mm O/S	PISTON 0.25mm O/S	PISTONE 0.25mm O/S	PISTON 0.25mm O/S	2
	REC677-11636-00K	761-8226M	PISTÓN 0.50mm O/S	PISTON 0.50mm O/S	PISTONE 0.50mm O/S	PISTON 0.50mm O/S	
	REC647-11610-00	39-80422M	KIT SEGMENTOS STD	PISTON RING SET STD	KIT FASCE STD	KIT SEGMENTS STD	
27	REC647-11610-10	39-80423M	KIT SEGMENTOS 0.25mm O/S	PISTON RING SET 0.25mm O/S	KIT FASCE 0.25mm O/S	KIT SEGMENTS 0.25mm O/S	2
	REC647-11610-20	39-80424M	KIT SEGMENTOS 0.50mm O/S	PISTON RING SET 0.50mm O/S	KIT FASCE 0.50mm O/S	KIT SEGMENTS 0.50mm O/S	
28	REC93210-42M70	25-95602M	TÓRICA	O-RING	O-RING	JOINT TORIQUE	1
29	REC93101-20M29	26-18843M	RETÉN DE ACEITE	OIL SEAL	PARAOLIO	JOINT SPI	1
30	REC93101-14M01	26-82165M	RETÉN DE ACEITE	OIL SEAL	PARAOLIO	JOINT SPI	1
31	PAGB/T5783-M6X16		PERNO	STUD	BULLONE	BOULON	2
32	REC677-45113-A0		JUNTA BASE MOTOR	GASKET ENGINE	GUARNIZIONE BASE MOTORE	JOINT DE TETE MOTRICE	1



2T
STROKES



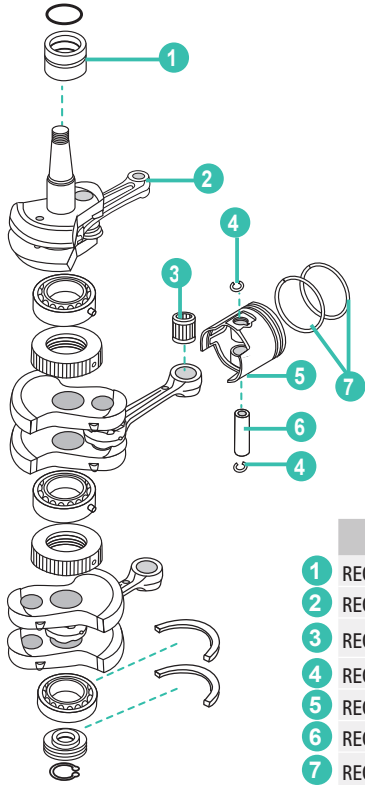
2T 9.9, 15, 18 HP (2 CYL) INTER.
STROKES

	REF	OEM					UN.
1	REC30-160494	30-160494	RODAMIENTO	BEARING	CUSCINETTO	ROULEMENT	3
2	REC803673	803673	PIN	PIN	SPINOTTO	LEVIER	2
5	REC31-16052	31-16052	COJINETE DE BIELA	BEARING, CONNECTING ROD	CUSCINETTO BIELLA	PALIER DE BIELLE	1
4	REC629-803674	629-803674	BIELA	CONNECTING ROD	BIELLA	BIELLE	2
6	REC779-803677	779-803677	PISTON STD 18 HP	PISTON STD 18 HP	PISTONE STD 18 HP	PISTON STD 18 HP	2
6	REC779-803677T02	779-803677T02	PISTON STD 9.9, 15 HP	PISTON STD 9.9, 15 HP	PISTONE STD 9.9, 15 HP	PISTON STD 9.9, 15 HP	2
6	REC41-803680002	41-803680002	PIN, PISTÓN 18 HP	PIN, PISTON 18 HP	SPINOTTO PISTONE 18 HP	AXE DE PISTON 18 HP	2
6	REC41-825713002	41-825713002	PIN, PISTÓN 9.9, 15 HP	PIN, PISTON 9.9, 15 HP	SPINOTTO PISTONE 9.9, 15 HP	AXE DE PISTON 9.9, 15 HP	2
7	REC53-16057	53-16057	CIRCLIP	CIRCLIP	CIRCLIP	CIRCLIP	4
9	REC39-803678A1	8M0080357	KIT SEGMENTOS 18 HP	PISTON RING SET 18 HP	KIT FASCE 18 HP	KIT SEGMENTS 18 HP	2
9	REC8M0080357	8M0080357	KIT SEGMENTOS 9.9, 15 HP	PISTON RING SET 9.9, 15 HP	KIT FASCE 9.9, 15 HP	KIT SEGMENTS 9.9, 15 HP	2

2T 25, 30 HP (2 CYL) INTER.
STROKES

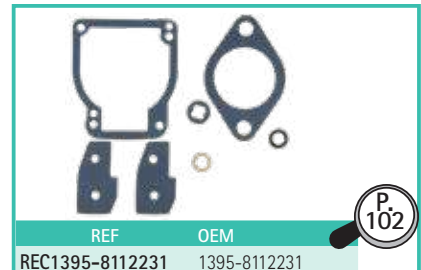
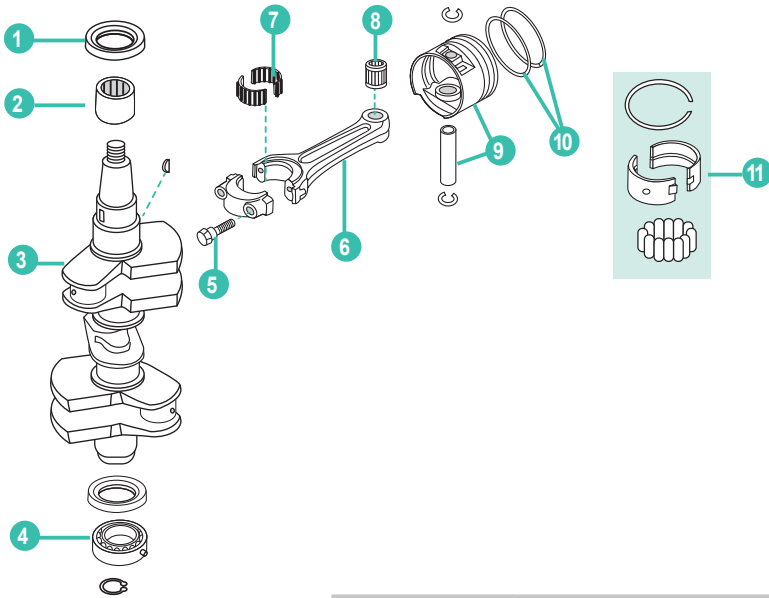
	REF	OEM					UN.
1	REC30-16049T01	30-16049T01	RODAMIENTO	BEARING	CUSCINETTO	ROULEMENT	1
2	REC8130461	8130461	PIN	PIN	SPINOTTO	LEVIER	2
3	REC31-8130482	31-8130482	COJINETE DE BIELA	BEARING, CONNECTING ROD	CUSCINETTO BIELLA	PALIER DE BIELLE	2
4	REC629-813047T01	629-813047T01	BIELA	CONNECTING ROD	BIELLA	BIELLE	2
5	REC345-00042-0	345-00042-0	COJINETE DE BIELA	BEARING, CONNECTING ROD	CUSCINETTO BIELLA	PALIER DE BIELLE	2
6	REC779-879194T01	779-879194T01	PISTÓN STD	PISTON STD	PISTONE STD	PISTON STD	2
7	REC53-16057	53-16057	CIRCLIP	CIRCLIP	CIRCLIP	CIRCLIP	4
8	REC41-803680003	41-803680003	PIN, PISTÓN	PIN, PISTON	SPINOTTO PISTONE	AXE DE PISTON	2
9	REC39-16054A5	39-16054A5	KIT SEGMENTOS	PISTON RING SET	KIT FASCE	KIT SEGMENTS	4

2T 40HP LIGHTNING / XR / MXL MARATHON (INTER.) 50HP MH
STROKES

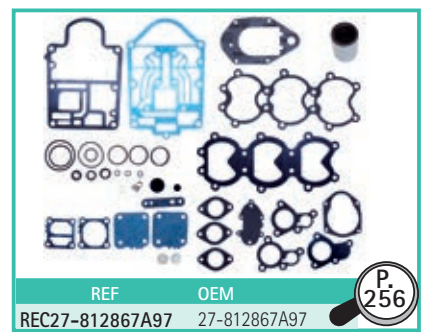


	REF	OEM				UN.	
1	REC31-855553	31-855553	RODAMIENTO	BEARING	CUSCINETTO	ROULEMENT	1
2	REC629-880855	629-880855	BIELA	CONNECTING ROD	BIELLA	BIELLE	3
3	REC345-00042-0	345-00042-0	COJINETE DE BIELA	BEARING, CONNECTING ROD	CUSCINETTO BIELLA	PALIER DE BIELLE	3
4	REC53-16057	53-16057	CIRCLIP	CIRCLIP	CIRCLIP	CIRCLIP	6
5	REC779-96152	779-96152	PISTÓN STD	PISTON STD	PISTONE STD	PISTON STD	3
6	REC41-16056	41-80368003	PIN, PISTÓN	PIN, PISTON	SPINOTTO PISTONE	AXE DE PISTON	3
7	REC8M0080349	8M0080349	KIT SEGMENTOS	PISTON RING SET	KIT FASCE	KIT SEGMENTS	3

2T 40 JET (OP094500+) • 45 JET (9973100-OP094499) • 50/60 JET 40/45 (3 CYL)
STROKES 55HP (3CYL) (9973100+) • 60HP (3 CYL) (9973100+) • 60HP (3 CYL) BIGFOOT (9973100-OP325499)



REF	OEM
REC1395-8112231	1395-8112231

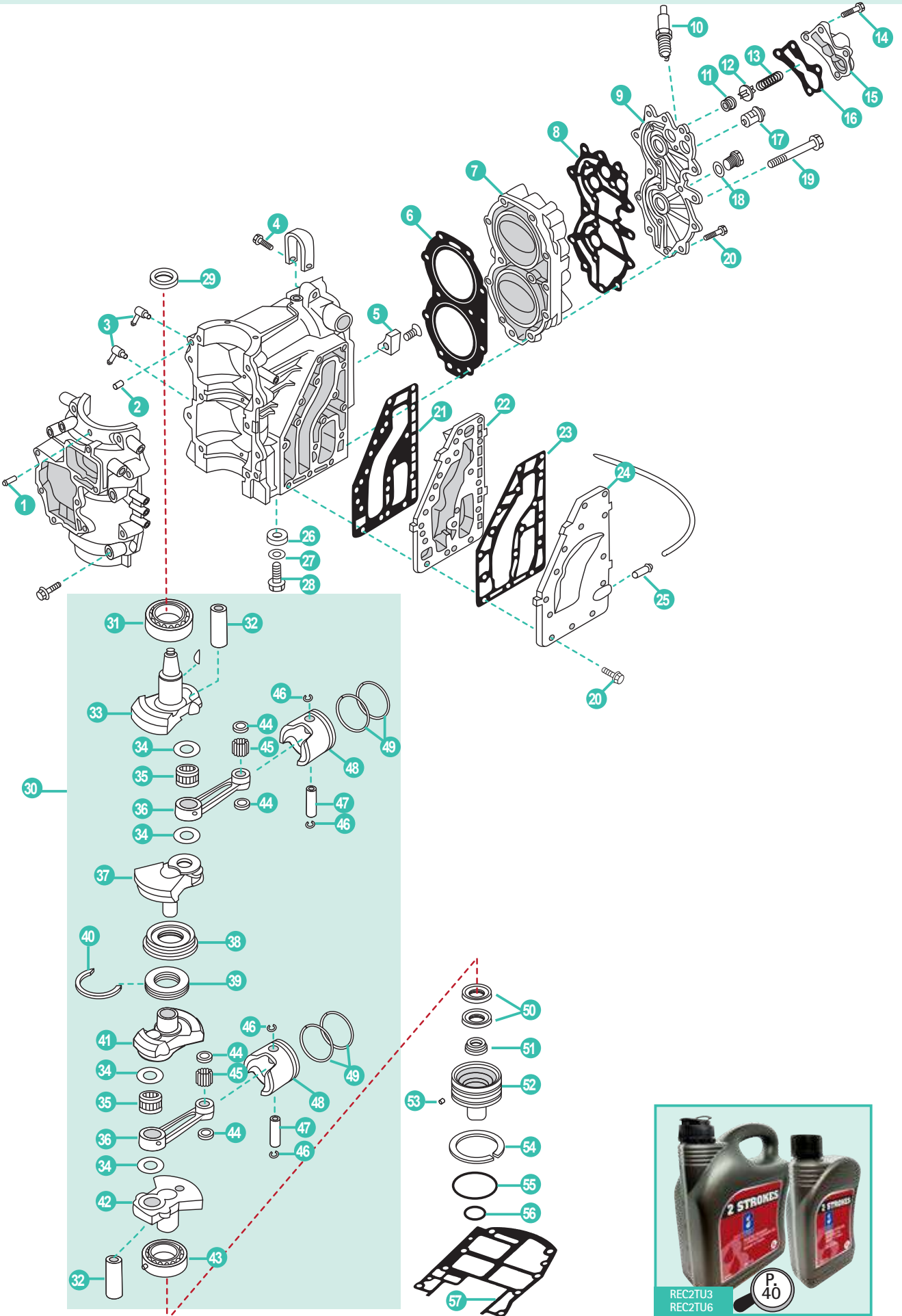


REF	OEM
REC27-812867A97	27-812867A97

	REF	OEM				UN.	
1	REC26-8173971	817397 1	RETÉN ACEITE	SEAL OIL	PARAOILIO	JOINT SPI	1
2	REC31-818889A1	31-818889A1	RODAMIENTO	BEARING	CUSCINETTO	ROULEMENT	1
3	REC2411-827954T2	827954T	CIGÜEÑAL	CRANKSHAFT	ALBERO MOTORE	VILEBREQUIN	1
4	REC377139	63742T	RODAMIENTO	BEARING	CUSCINETTO	ROULEMENT	1
5	REC10-91012	91012	TORNILLO	BOLT	VITE	VIS	6
6	REC640-9612A7	9612A 6	BIELA	CONNECTING ROD	BIELLA	BIELLE	3
7	REC31-17514A2	17514A1	RODAMIENTO	BEARING	CUSCINETTO	ROULEMENT	3
8	REC29-47270	47270	AGUJAS	NEEDLE PIN	SPILLO	CLAVETTE	87
9	REC705-850026T1K	850026T 1	PISTON	PISTON	PISTONE	PISTON	3
10	REC39-831255A6	831255A 6	KIT SEGMENTOS	PISTON RING SET	KIT FASCE	KIT SEGMENTS	3
11	REC827955A2	827955A 2	KIT COJINETE	BEARING KIT	KIT CUSCINETTO	KIT ROULEMENT	2



2T 40K W40 (W MARATHON)
STROKES

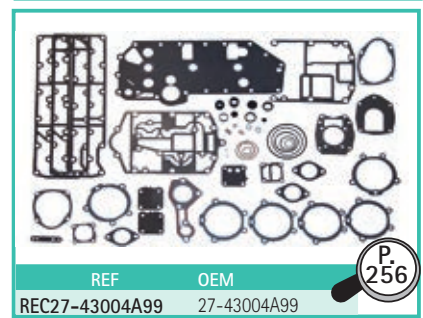
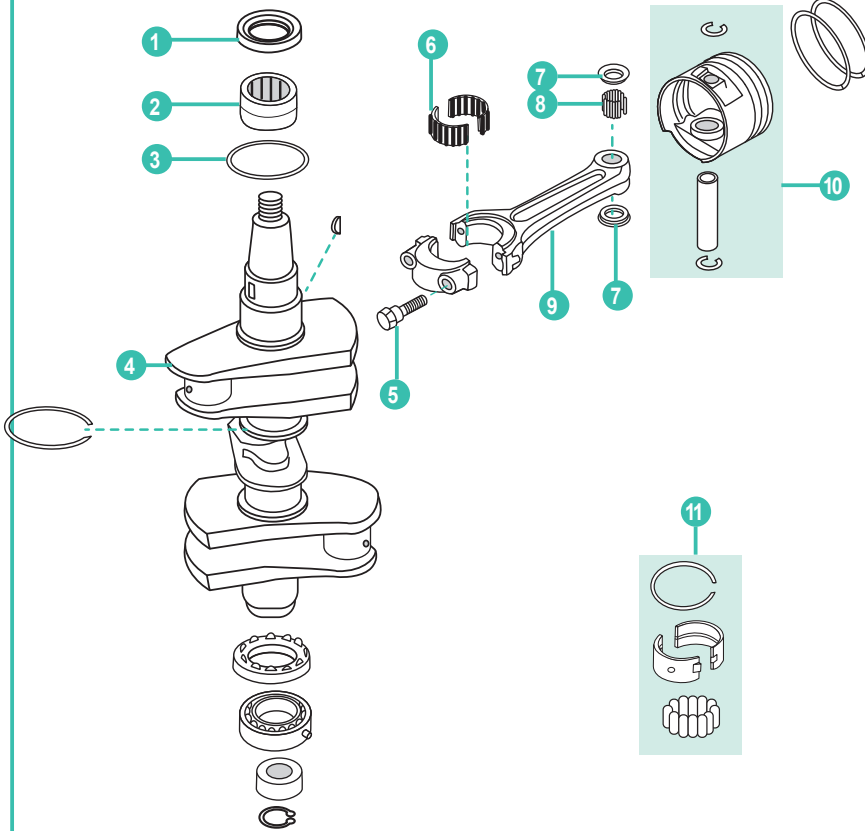


MERCURY MARINER

RECAMBIOS
MARINOS

	REF	OEM				UN.	
1	PAT15-04010202	22-80122M	PIPA DE AGUA	PIPE, WATER	TUBO	RACCORD TUYAU D'EAU	1
2	PAF25-00000014	17-82368M	PIN CENTRADOR	HOLLOW PIN	SPINOTTO DI CENTRAGGIO	PIN DE CENTRAGE	2
3	REC650-11370-00	21-80727M	NIPLE DE MANGUERA	NIPPLE	TUBO	RACCORD D'EAU	2
4	PAGB/T5783-M8X35	10-82442M	TORNILLO	BOLT	VITE	VIS	1
5	TEN01166	83330M	ÁNODO	ANODO	ANODO	ANODE	1
6	REC6F5-11181-A2	27-11745M	JUNTA CULATA	GASKET, CYLINDER HEAD	GUARNIZIONE TESTATA	JOINT DE CULASSE	1
7	REC6F6-11111-00-1S	968-9325M	CULATA DE CILINDRO	CYLINDER HEAD	TESTA CILINDRO	CULASSE	1
8	REC6F6-11193-A1	27-114749M	JUNTA TAPA	GASKET, COVER	GUARNIZIONE COPERCHIO	JOINT DE COUVRE CULASSE	1
9	REC6F6-11191-00-1S	11747M	TAPA CULATA DE CILINDRO	HEAD CYLINDER COVER	COPERCHIO TESTATA CILINDRO	CUVERCLE DE CULASSE	1
10	NGKB7HS	33-82371M	BUJÍA	SPARK PLUG	CANDELA	BOUGIE	2
11	REC90480-18065		TAPÓN	PLUG	TAPPO	BOUCHON	1
12	REC663-12416-00		VÁLVULA DE PRESIÓN	VALVE, PRESS CONTROL	VALVOLA DI PRESSIONE	SOUPAPE DE PRESSION	1
13	REC90501-14M02		RESORTE DE COMPRESIÓN	SPRING COMPRESSION	MOLLA DI COMPRESIONE	RESSORT	1
14	PAGB/T5783-M6X30	10-8257021	TORNILLO CON ARANDELA	BOLT, FLANGE	VITE CON RONDELLA	VIS DE BRIDE	4
15	REC6E9-12413-00-1S	19255M	TAPA TERMOSTATO	COVER, THERMOSTAT	COPERCHIO TERMOSTATO	COUVERCLE THERMOSTAT	1
16	REC6E9-12414-A1	27-97706M	JUNTA TAPA TERMOSTATO	GASKET, THERMOSTAT COVER	GUARNIZIONE COPERCHIO TERMOSTATO	JOINT COUVERCLE DE THERMOSTAT	1
17	REC6F5-12411-03	814554T01	TERMOSTATO	THERMOSTAT	TERMOSTATO	THERMOSTAT	1
18	PAF15-04000003	27-11754M	JUNTA	GASKET	GUARNIZIONE	JOINT	1
19	PAGB/T5783-M6X25	10-11746M	TORNILLO	BOLT	VITE	VIS	11
20	PAGB/T5783-M6X25	10-2405M	TORNILLO	BOLT	VITE	VIS	20
21	REC6F5-41112-A0	27-11754	JUNTA DE ESCAPE	EXHAUST GASKET	GUARNIZIONE DI SCARICO	JOINT D'ECHAPPEMENT	1
22	REC6F5-41111-01-1S	11753M	CUBIERTA INTERIOR ESCAPE	INNER EXHAUST COVER	COPERCHIO INTERIORE SCARICO	COUVERCLE INTERIEUR D'ECHAPPEMENT	1
23	REC6F5-41114-A0	27-11756	JUNTA EXTERIOR, TAPA ESCAPE	GASKET, EXHAUST OUTER COVER	GUARNIZIONE ESTERIORE, COPERCHIO SCARICO	JOINT DE COUVERCLE EXT. ECHAPPEMENT	1
24	REC6F5-41113-A0-1S	11755M	CUBIERTA EXTERIOR ESCAPE	OUTTER EXHAUST COVER	COPERCHIO ESTERNO SCARICO	COUVERCLE EXTERIEUR D'ECHAPPEMENT	1
25	PAF4-04010102	22-94716M	PIPA DE AGUA	PIPE, WATER	TUBO	RACCORD TUYAU D'EAU	1
26	TEN01127	83394M	ÁNODO	ANODE	ANODO	ANODE	1
27	PAGB/T97.1-6	12-881379	ARANDELA	WASHER	RONDELLA	RONDELLE	1
28	PAGB/T5783-M6X16	10-826957M	TORNILLO	BOLT	VITE	VIS	1
29	REC93102-35M18	26-11731M	RETÉN DE ACEITE	OIL SEAL	PARAOILIO	JOINT SPI	1
30	REC6F6-11400-02	463-9327M	CIGÜEÑAL COMPLETO	CRANK ASSY	ALBERO MOTORE COMPLETO	VILEBREQUIN COMPLET	1
31	REC93306-307U0	30-11766T	RODAMIENTO	BALL BEARING	CUSCINETTO	ROULEMENT À BILLE	1
32	REC6F5-11681-00	17-13302T	PIN	PIN	SPINOTTO	PIN D'ENTRAÎNEMENT	2
33	REC6F5-11412-11	851997M	CIGÜEÑAL PARTE 1	CRANK 1	ALBERO MOTORE 1	VILEBREQUIN 1	1
34	REC90209-27M07	12-13305M	ARANDELA DE SEPARACIÓN	WASHER	RONDELLA DISTANZIALE	RONDELLE	14
35	REC93310-727V7	29-13304M	COJINETE DE BIELA	BEARING, CONNECTING ROD	CUSCINETTO BIELLA	PALIER DE BIELLE	2
36	REC6F5-11651-00	629-9486T	BIELA	ROD, CONNECTING	BIELLA	BIELLE	2
37	REC6F5-11422-11	827142M	CIGÜEÑAL PARTE 2	CRANK 2	ALBERO MOTORE 2	VILEBREQUIN 2	1
38	REC93332-000UE	31-13300T	COJINETE	BEARING	CUSCINETTO	PALIER	1
39	REC6F5-11515-00	13301M	SELLO LABERINTO	LABERINTH SEAL	GUARNIZIONE SIGILLATA	JOINT	1
40	REC93440-68M03	53-11760M	CIRCLIP	CIRCLIP	CIRCLIP	CIRCLIP	1
41	REC6F5-11432-11	827143M	CIGÜEÑAL PARTE 3	CRANK 3	ALBERO MOTORE 3	VILEBREQUIN 3	1
42	REC6F5-11442-11	827144M	CIGÜEÑAL PARTE 4	CRANK 4	ALBERO MOTORE 4	VILEBREQUIN 4	1
43	REC93306-306V1	30-11767T	COJINETE	BEARING	CUSCINETTO	PALIER	1
44	REC90201-20417	12-81831M	ARANDELA PLANA	FLAT WASHER	RONDELLA PIANA	RONDELLE	4
45	REC93603-21111	29-82353M	AGUJA PASADOR	NEEDLE PIN	SPILLO	CLAVETTE	56
46	REC663-11634-00	53-81264M	CIRCLIP	CIRCLIP	CIRCLIP	CIRCLIP	4
47	REC6F5-11633-00	41-11771T	PIN, PISTÓN	PIN, PISTON	SPINOTTO PISTONE	AXE DE PISTON	2
48	REC6F6-11631-00K	761-9329T	PISTÓN STD	PISTON STD	PISTONE STD	PISTON STD	2
	REC6F6-11635-00K		PISTÓN 0.25mm O/S	PISTON 0.25mm O/S	PISTONE 0.25mm O/S	PISTON 0.25mm O/S	
	REC6F6-11636-00K	761-9331T	PISTÓN 0.50mm O/S	PISTON 0.50mm O/S	PISTONE 0.50mm O/S	PISTON 0.50mm O/S	
	REC6F5-11610-00	39-11768T	KIT SEGMENTOS STD	PISTON RING SET STD	KIT FASCE STD	KIT SEGMENTS STD	
49	REC6F5-11610-10	39-11769M	KIT SEGMENTOS 0.25mm O/S	PISTON RING SET 0.25mm O/S	KIT FASCE 0.25mm O/S	KIT SEGMENTS 0.25mm O/S	2
	REC6F5-11610-20	39-11770T	KIT SEGMENTOS 0.50mm O/S	PISTON RING SET 0.50mm O/S	KIT FASCE 0.50mm O/S	KIT SEGMENTS 0.50mm O/S	
50	REC93101-30M33	26-11758M	RETÉN DE ACEITE	OIL SEAL	PARAOILIO	JOINT SPI	2
51	REC93104-16M01	26-189721	RETÉN DE ACEITE	OIL SEAL	PARAOILIO	JOINT SPI	1
52	REC6F5-15396-01-5B	815118M	CUERPO DEL RETÉN	SHELL, OIL SEAL	GUARNIZIONE CORPO	LOGEMENT JOINT SPI	1
53	PAGB/T879.4-3X20	17-82145M	PASADOR DE RESORTE	PIN, SPRING	SPINOTO DI RITORNO	GOUPILLE FENDUE	1
54	REC93440-68M03	53-11760M	CIRCLIP	CIRCLIP	CIRCLIP	CIRCLIP	1
55	REC93210-65M50	25-11759M	TÓRICA	O-RING	O-RING	JOINT TORIQUE	1
56	REC93210-22M02	25-83348M	TÓRICA	O-RING	O-RING	JOINT TORIQUE	1
57	REC6F5-45113-A0	27-11885	JUNTA BASE MOTOR	GASKET ENGINE	GUARNIZIONE BASE MOTORE	JOINT DE TETE MOTRICE	1

2T
STROKES



2T
STROKES

65 JET • 75HP • 90 HP (3CYL)

	REF	OEM					UN.
1	REC26-43993	26-43993	RETÉN ACEITE	SEAL OIL	PARAOLIO	JOINT SPI	1
2	REC31-43013T3	43013T 3	RODAMIENTO	BEARING	CUSCINETTO	ROULEMENT	1
3	REC25-823683	823683	ARO TÓRICO	O-RING	O-RING	JOINT TORIQUE	1
4	REC493-827616T1	827616T 1	CIGÜEÑAL	CRANKSHAFT	ALBERO MOTORE	VILEBREQUIN	1
5	REC10-94320	94320	TORNILLO	BOLT	VITE	VIS	6
6	REC31-43012A1	43012A 1	RODAMIENTO	BEARING	CUSCINETTO	ROULEMENT	3
7	REC12-8M0012298	812876	ARANDELA	WASHER	RONDELLA	RONDELLE	6
8	REC29-818391001	818391	RODAMIENTO	BEARING	CUSCINETTO	ROULEMENT	5
9	REC646-818845T6	818846T 6	BIELA	CONNECTING ROD	BIELLA	BIELLE	3
10	REC2704-826191T4K	826191T 4	KIT PISTON	PISTON KIT	KIT PISTONE	KIT PISTON	3
11	REC42943A1	42943A 1	KIT COJINETE	BEARING KIT	KIT CUSCINETTO	KIT ROULEMENT	2

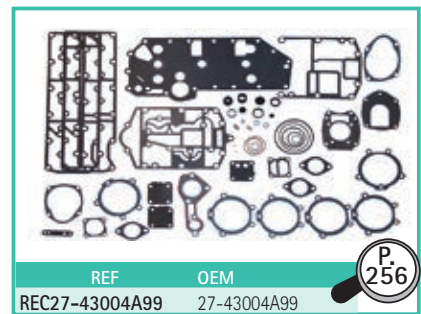
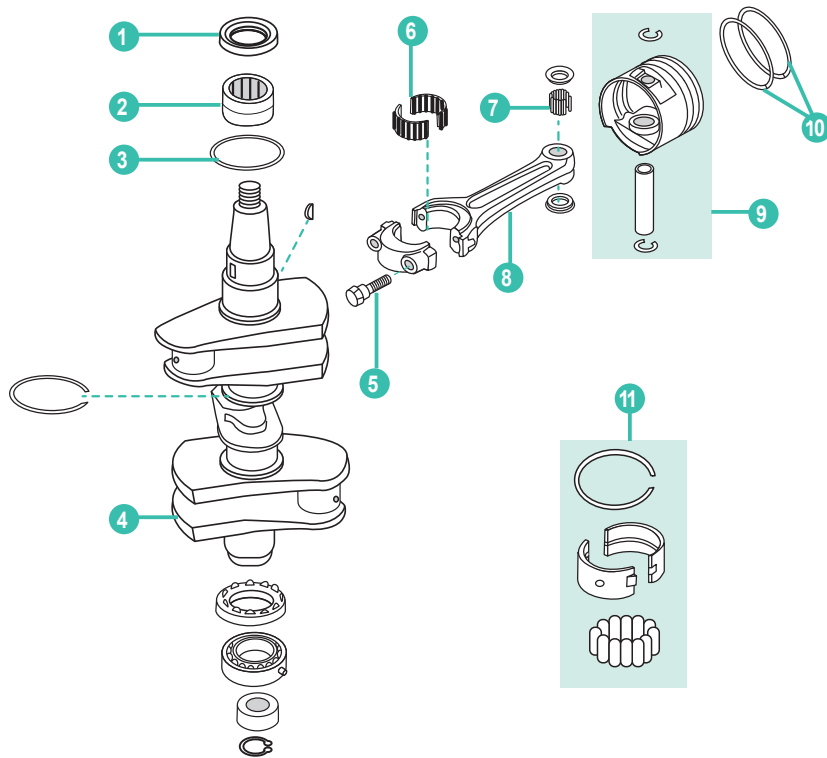
2T
STROKES

70 HP (9506481 - 9589038) • 75 HP (9506481 - 9793576) (3 CYL)
80 HP (9506481 - 9589038) • 90 HP (9506481 - 9793576) (3CYL)

	REF	OEM					UN.
1	REC26-43993	26-43993	RETÉN ACEITE	SEAL OIL	PARAOLIO	JOINT SPI	1
2	REC31-43013T3	43013T 3	RODAMIENTO	BEARING	CUSCINETTO	ROULEMENT	1
3	REC25-823683	823683	ARO TÓRICO	O-RING	O-RING	JOINT TORIQUE	1
5	REC10-94320	10-94320	TORNILLO	BOLT	VITE	VIS	6
6	REC31-43012A1	43012A 1	RODAMIENTO	BEARING	CUSCINETTO	ROULEMENT	3
8	REC29-88258	29-88258	AGUJAS	NEEDLE PIN	SPILLO	CLAVETTE	87
9	REC638-9002A6	838-9002A6	BIELA	CONNECTING ROD	BIELLA	BIELLE	3
10	REC777-9009T13 REC774-9137A11	774-9009A13 774-9317A11	KIT PISTON STD KIT PISTON 0.30	PISTON SET STD PISTON SET 0.30	KIT PISTONE STD KIT PISTONE 0.30	KIT PISTON STD KIT PISTON 0.30	3
11	REC42943A1	42943A 1	KIT COJINETE	BEARING KIT	KIT CUSCINETTO	KIT ROULEMENT	2

2T
STROKES

75 HP (9793577+) • 90 HP (9793577+) • 65 JET (9793577+)
(3 CYL)



	REF	OEM				UN.	
1	REC26-43993	43993	RETÉN ACEITE	SEAL OIL	PARAOLIO	JOINT SPI	1
2	REC31-43013T3	43013T 3	RODAMIENTO	BEARING	CUSCINETTO	ROULEMENT	1
3	REC25-823683	823683	ARO TÓRICO	O-RING	O-RING	JOINT TORIQUE	1
4	REC493-827616T1	827616T 1	CIGÜEÑAL	CRANKSHAFT	ALBERO MOTORE	VILEBREQUIN	1
5	REC10-94320	94320	TORNILLO	BOLT	VITE	VIS	6
6	REC31-43012A1	43012A 1	KIT COJINETE	BEARING KIT	KIT CUSCINETTO	KIT ROULEMENT	3
7	REC29-818391001	818391001	RODAMIENTO	BEARING	CUSCINETTO	ROULEMENT	87
8	REC646-818845T6	818846T 6	BIELA	CONNECTING ROD	BIELLA	BIELLE	3
9	REC2704-826191T4K	826191T 4	KIT PISTON STD	PISTON SET STD	KIT PISTONE STD	KIT PISTON STD	3
	REC2704-821896A4	821896A 4	KIT PISTON 0.30	PISTON SET 0.30	KIT PISTONE 0.30	KIT PISTON 0.30	3
10	REC39-822321A2	822321A 2	KIT SEGMENTOS 0.30 mm	PISTON RING SET 0.30 mm	KIT FASCE 0.30 mm	KIT SEGMENTS 0.30 mm	3
11	REC42943A1	42943A 1	KIT COJINETE	BEARING KIT	KIT CUSCINETTO	KIT ROULEMENT	2

MERCURY

RECAMBIOS
MARINOS

JUNTAS DE MOTOR
2 TIEMPOS

ENGINE GASKET
2 STROKES

GUARNIZIONI
MOTORE 2 TEMPI

JOINTS DE MOTEUR
2 TEMPS



2T
STROKES



JUNTAS DE CULATA

CYLINDER HEAD GASKET



GUARNIZIONE DE TESTATA


JOINT DE CULASSE

REF	OEM		
REC309-01005-2	27-95299001	2.5 HP 3.3 & 3 HP 2 & 2.2M	


REF	OEM		
REC350-01005-0	27-803663	15, 18 HP (2 Cyl International)	

REF	OEM		
REC3B2-01005-0	27-803663021	6, 8, 9.8 HP (2 Cyl International)	

REF	OEM		
REC346-01005-0	27-8129391	25, 30 HP (2 Cyl International)	

REF	OEM		
REC677-11181-A0	27-95595M	8K / W8	



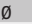







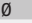



REF	OEM		
REC689-11181-00	27-19138M	30A / W30	







REF	OEM		
REC351-01005-0	27-803663018	9.9 HP (2 Cyl International)	





REF	OEM		
REC3C8-01005-4	27-8M0062091 27-81293910	40 (International) 40 (MXL SEAPRO)	

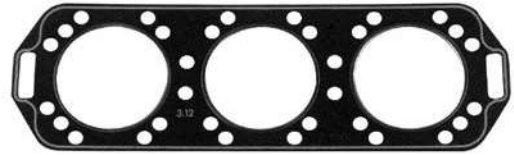
REF	OEM		
REC6E7-11181-00	27-18937M	15C-K, W15, 9.9C	





REF	OEM						
REC27-96542-1	27-96542-1 27-96281T01	V6 2.0L (1976-90) Loopcharged	14-3/4" x 4-5/8"	3-1/4"	3.125"	636-8118	

REF	OEM						
REC27-18785T	27-18785T	V6 2.0L (1992-00) Loopcharged	14-3/4" x 4-7/8"	3-1/4"	3.125"	644-818141	






REF	OEM						
REC27-822844T04	27-822844T04	V6 2.0L (1978-00) Loopcharged	14-3/4" x 4-15/16"	3-1/2"	3.501"		

REF	OEM				
REC27-79583-1	27-79583-1	V6 2.0L (1976-98) Loopcharged	14-5/8" x 4-5/8"	3-3/16"	3.125"








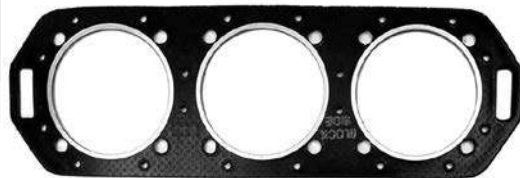
REF	OEM				
REC27-41246-1	27-41246-1	V6 2.4L (1978-98) Loopcharged	14-3/4" x 4-11/16"	3-1/2"	3.375"



REF	OEM					
REC27-418786T	27-18786T	V6 2.4L (1978-98) Loopcharged	14-3/4" x 4-7/8"	3-1/2"	3.375"	XR4 Magnum II 175



REF	OEM					
REC27-41245-1	27-41245-1	V6 2.4L (1978-88) Loopcharged	14-3/4" x 4-3/4"	3-1/2"	3.375"	200 2000



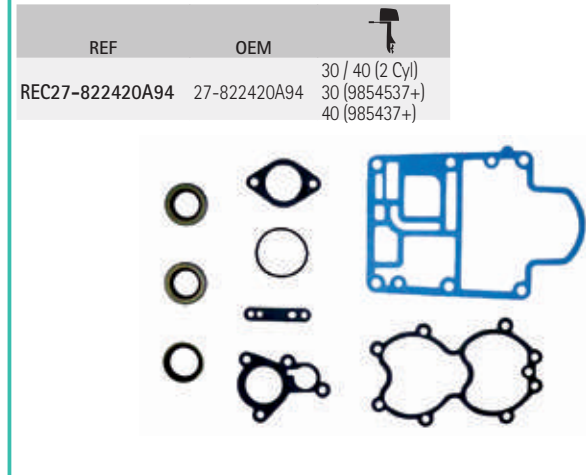
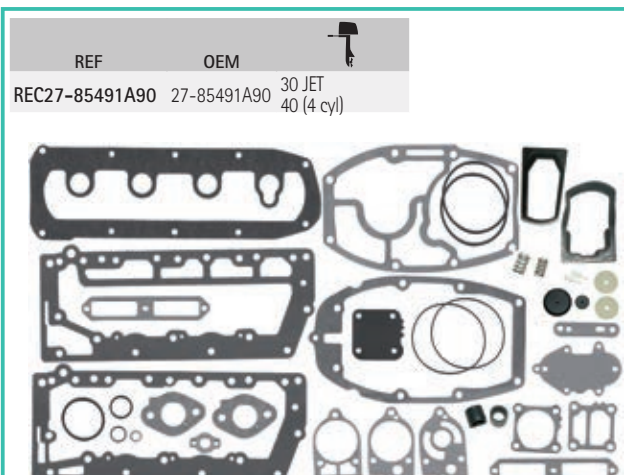
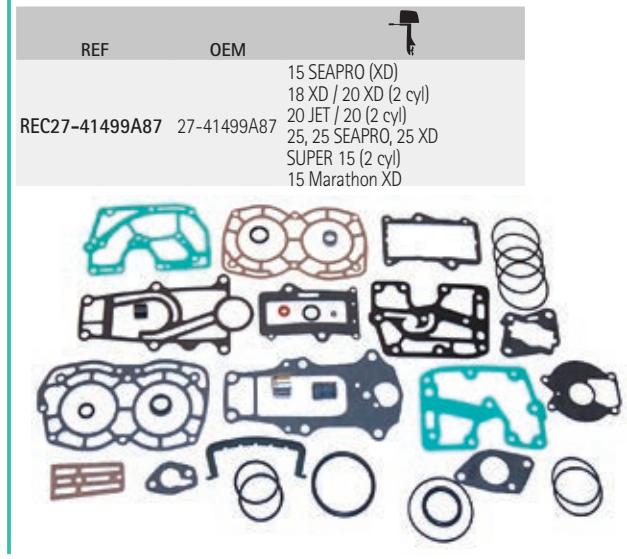
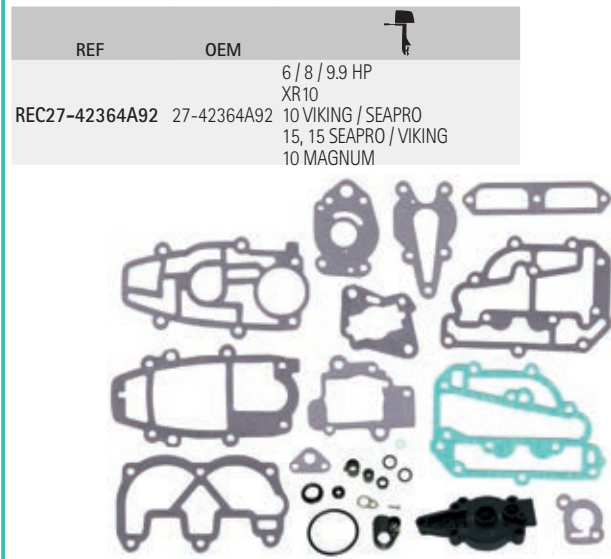
2T
STROKES

KITS JUNTAS DE CULATA

CYLINDER HEAD GASKET KIT

KIT GUARNIZIONE TESTATA

KITS JOINT DE CULASSE



REF	OEM	
REC27-828553A97	27-828553A97	30 JET (3 cyl) 40 / 50 (3 cyl)

REF	OEM	
REC27-88449A32	27-88449A32	50, 60, 70 (3 cyl)

REF	OEM	
REC27-78028A78	27-78028A78	35 HP (2 Cyl) 402, 40 HP (2 cyl)


REF	OEM	
REC27-43779A87	27-43779A87	50, 60 (3 cyl)

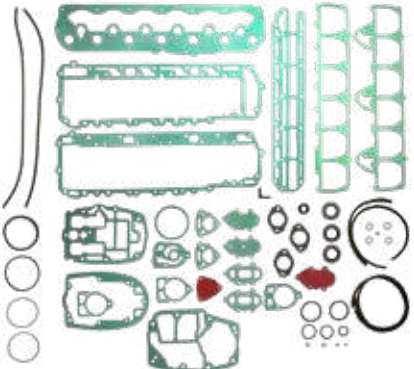
REF	OEM	
REC27-812867A97	27-812867A97	40/45 JET 50/55 (3 cyl) 60 (3 cyl) Bigfoot


REF	OEM	
REC27-43004A99	27-43004A99	65 JET 65 JET (3 cyl) 75, 90 (3 cyl)

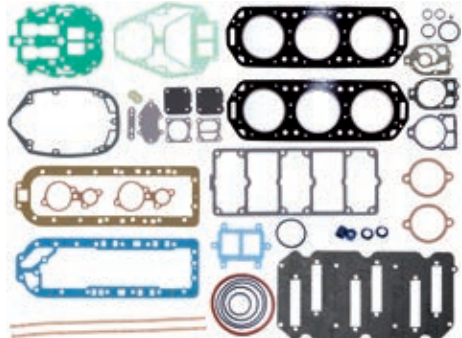
REF	OEM	
REC27-72486A32	27-72486A32	45 / 50 HP (4 Cyl)


REF	OEM	
REC27-13461A99	27-13461A99	65, 80 HP JET 75, 90 HP (3 cyl) 100, 115, 125 HP (4 cyl)

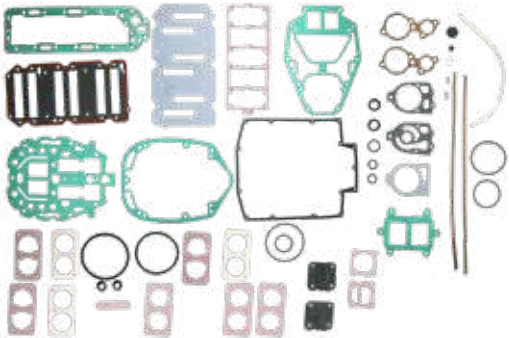
REF	OEM	
REC27-85653A87	27-85653A87	90, 115 (6 Cyl. L)




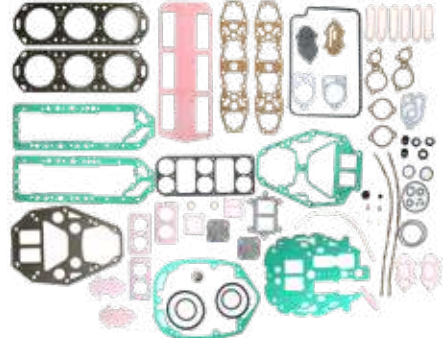
REF	OEM	
REC27-14697A87	27-14697A87	V-175 (SKI) V-200 (EFI) V-220




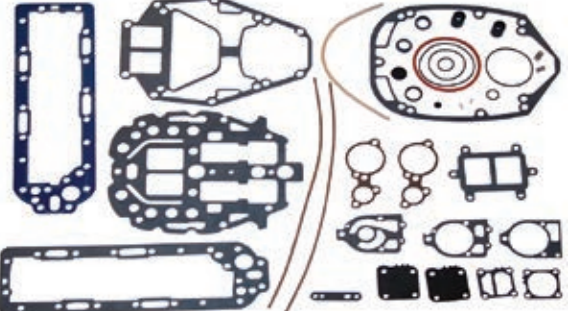
REF	OEM	
REC27-815791A92	27-815791A92	105, 140 JET V-135 V-150, V-175, v-200 (XR/EFI) XR-6




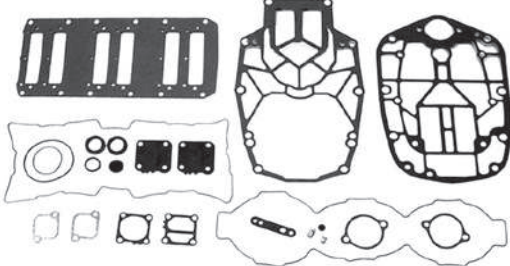
REF	OEM	
REC27-11338A88	27-11338A88	V-175 XR-4 Magnum II




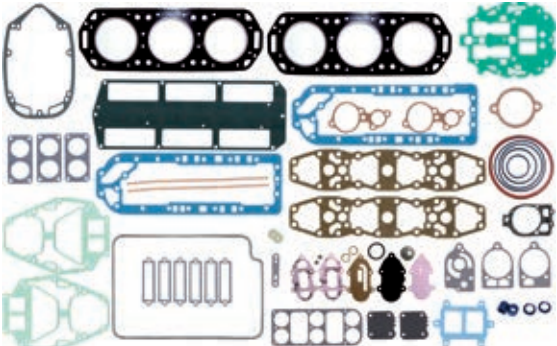
REF	OEM		
REC27-814754A00	27-814754A00	110 JET 150, 175 PROXS V-135, V-150 (DFI) V-175 (DFI) 2.5L	No incluye JUNTA CULATA. HEAD GASKET not included. Non include GUARNIZIONE TESTATA. Sans joint de culasse




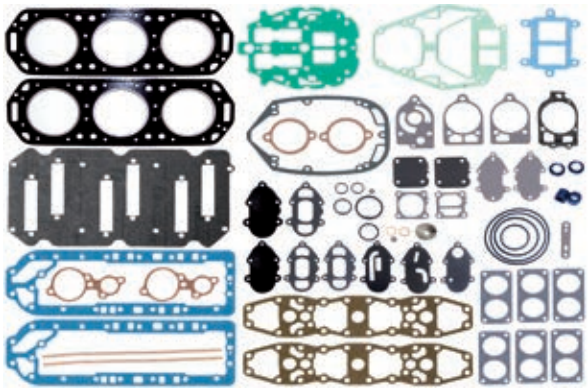
REF	OEM		
REC27-832934A00	27-832934A00	200 (DFI / EFI) 200 PRO XS 225 (EFI/DFI) 225 SEAPRO 250 (DFI/EFI) 3.0L	No incluye ARO de junta de culata. Cylinder head O-RING not included. Non include O-RING guarnizione testata. Sans joint de culasse



REF	OEM	
REC27-90484A88	27-90484A88	V-135 V-150 (Mag / Marathon Work / XR-2) V-1500



REF	OEM	
REC27-89221A88	27-89221A88	V-220



REF	OEM	Icon	Notes
REC27-79583A81	27-79583A81		No incluye JUNTA CULATA. HEAD GASKET not included. Non include GUARNIZIONE TESTATA. Sans joint de culasse

V-1500 / V-150 (Mag / Marathon Work / XR-2) / V-175

2T STROKES

JUNTAS BASE DE MOTOR **CYLINDER GASKET**

REF	OEM	Icon	Notes
REC6E0-45113-A1	27-91780M		4A, 5C (1977-89)

REF	OEM	Icon	Notes
REC27-89937	27-89937		4.5, 9.8 HP (1970-86)

REF	OEM	Icon	Notes
REC6G1-45113-A1	11560M		6C 8C (1978-86)

REF	OEM	Icon	Notes
REC682-11351-A0	27-96602M		9.9C 15C, K, W15 (1979-86)

REF	OEM	Icon	Notes
REC27-41670006	27-41670-3		20 Jet 20, 25 (2 cyl) (2005-06)

GUARNIZIONE BASE MOTORE **JOINTS DE TETE MOTRICE**

REF	OEM	Icon	Notes
REC27-796501	27-79650-1		30 Jet 40, 45 HP (4 cyl)


REF	OEM	Icon	Notes
REC8M0000822	828553		30, 40 HP (2cyl) 30, 40, 45 Jet 40, 50, 60 (3 cyl) (1994-10)

REF	OEM	Icon	Notes
REC27-628601	27-62860-1		35, 40, 402 (2 cyl) (1972-89)

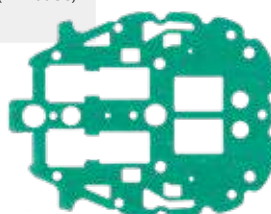
REF	OEM	Icon	Notes
REC6F5-45113-A0	27-11885		K40 HP W40 (w/Marathon) (1989-98)

REF	OEM	Icon	Notes
REC27-884511	27-88451-1		50/60/70 HP (3cyl) (1980-90)


REF	OEM	
REC61T-45113-A0	27-84775	20C, 25C (Thru prop) 25K 30a W30 (w/Marathon) (1977-98)



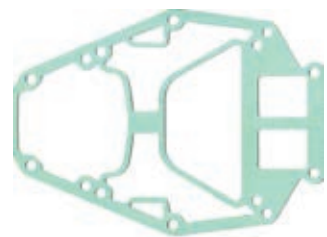
REF	OEM	
REC27-991772	27-99177-2	135-200 HP (V-Models) XR-4 (1976-90)



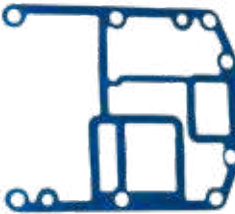
REF	OEM	
REC696-45113-00	27-16717M	55, W55 (1984-89)



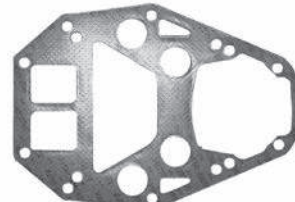
REF	OEM	
REC27-997761	27-99776-1	135-175 HP (V-Models) (1976-93)



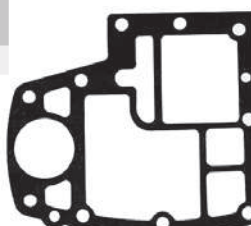
REF	OEM	
REC27-430075	27-43007-3	65, 80 Jet 100, 115, 125 (4 cyl) 75, 90 (3 cyl) 75, 90, 115 DFI (3 cyl) (1.5 L)




REF	OEM	
REC27-8231422	27-78069	150-225 HP (V-Models) (1978-88)



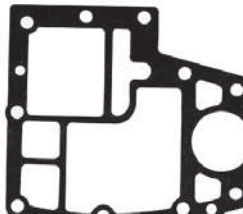
REF	OEM	
REC826549	27-826549	75-120 HP (1995-99)



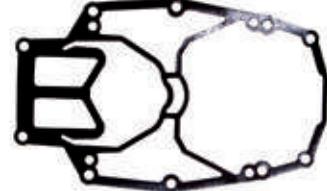
REF	OEM	
REC27-75909	27-75909	V-175 (1976-88) Merc Formula (2 L EFI / CARB)




REF	OEM	
REC823700	27-823700-2	90-120 HP Jet Drive (1993-00)




REF	OEM	
REC813932	27-813932-2	200-250 HP (3.0L) (DFI, CARB, EFI) (1994-98)



REF	OEM	
REC27-991764	27-99176-3	110, 140 Jet (2.5L) 150, 175 Pro X5 (2.5L) 135-200 HP (V-Models) (1976-10)



REF	OEM	
REC27-39401	27-39401	200 / 20 HP (1970-80)





KIT JOINTS

JUNTA CULATA
CYLINDER HEAD GASKET
GUARNIZIONE TESTAT
JOINT DE CULASSE

6	1986-93	USA	0A197112-0T800749	REC27-42364A92
6	1986-93	BEL	9461526	REC27-42364A92
8	1986-93	USA	0A197112+	REC27-42364A92
8	1986-93	BEL	9461526	REC27-42364A92
9.9	1986-93	USA	0A197112+	REC27-42364A92
9.9	1986-93	BEL	9461526	REC27-42364A92
10 Marathon XR10, Sea Pro	1990-93	USA	0D038000+	REC27-42364A92
10 Marathon XR10, Sea Pro	1990-93	BEL	9596000	REC27-42364A92
10 Magnum / Marathon	1990-98	USA	0D038000+	REC27-42364A92
10 Magnum / Marathon	1990-98	BEL	9596000	REC27-42364A92
15	1988-93	USA	0B292414+	REC27-42364A92
15	1988-93	BEL	9542620	REC27-42364A92
15 XD Sea Pro / Marathon	1997-98	BEL	9927000	REC27-41499A87
15 (Super)	1994-98	USA	0B238464+	REC27-41499A87
15 (Super)	1994-98	BEL	9507381	REC27-41499A87
15 (Super)	1994-98	CAN	0A730007+	REC27-41499A87
18 (18 XD)	1983 1/2	USA	6416713-6443972	REC27-41499A87
18 (18 XD)	1983 1/3	BEL	9378116-7209532	REC27-41499A87
18 (18 XD)	1984-85	CAN	7207858-7209532	REC27-41499A87
20 (20, 20XD, 200)	1986-87	USA	6443973	REC27-41499A87
20 (20, 20XD, 200)	1986-87	BEL	9415101	REC27-41499A87
20 (20, 20XD, 200)	1986-87	CAN	7209533	REC27-41499A87
20 Jet	1994-98	USA	0G044027+	REC27-41499A87
20 Jet	1994-98	BEL	9807909	REC27-41499A87
25 (25, 25XD)	1984-87	USA	6416713-0T979999	REC27-41499A87
25 (25, 25XD)	1983 1/2	BEL	9378116-0P325499	REC27-41499A87
25 (25, 25XD)	1983 1/2	CAN	7207858	REC27-41499A87
30 Jet (40HP) (4-Cyl.)	1994-97	USA	0C159200+	REC27-85491A90
30 Jet (40HP) (4-Cyl.)	1998	BEL	9570790	REC27-85491A90
35 (2-Cyl.)	1984-86	USA	6445653-0B110788	REC27-78028A78
35 (2-Cyl.)	1984-86	BEL	9384476-9466646	REC27-78028A78
35 (2-Cyl.)	1984-86	CAN	7209608	REC27-78028A78
40 (40, 402) (2-Cyl.)	1972-74	USA	3336258-0G053313	REC27-78028A78
40 (40, 402) (2-Cyl.)	1972-74	AUS	8002335	REC27-78028A78
40 (40, 402) (2-Cyl.)	1972-74	BEL	3339688	REC27-78028A78
40 (2-Cyl.)	1972-74	CAN	3340783	REC27-78028A78
40 (4-Cyl.)	1989	USA	0C159200+	REC27-85491A90
40 (4-Cyl.)	1989	BEL	9570790	REC27-85491A90
45 (4-Cyl.)	1986	USA	5531630-0B110788	REC27-72486A32
45 (4-Cyl.)	1986	AUS	8063985	REC27-72486A32
45 (4-Cyl.)	1986	BEL	9248006-9466691	REC27-72486A32
45 (4-Cyl.)	1986	CAN	7143688-0A719280	REC27-72486A32
45 (4-Cyl.)	1987-89	USA	0B110789+	REC27-85491A90
45 (4-Cyl.)	1987-89	BEL	9466692	REC27-85491A90
45 (4-Cyl.)	1987-89	CAN	0A719281+	REC27-85491A90
50 (500) (4-Cyl.)	1965-67	USA	2116318	REC27-72486A32
50 (500) (4-Cyl.)	1965-67	CAN	2097445	REC27-72486A32
50 (500) (4-Cyl.)	1965-67	AUS	2863739	REC27-72486A32
50 (500) (4-Cyl.)	1965-67	BEL	9001581	REC27-72486A32
50 (3-Cyl.)	1986-87	USA	6428681-0B122929	REC27-88449A32
50 (3-Cyl.)	1986-87	BEL	9385911-9469199	REC27-88449A32
50 (3-Cyl.)	1986-87	CAN	7208333-0A721307	REC27-88449A32
50 (3-Cyl.)	1986-87	USA	0B122930-0D000749	REC27-43779A87
50 (3-Cyl.)	1986-87	BEL	9469200-9683054	REC27-43779A87
50 (3-Cyl.)	1986-87	CAN	0A721308+	REC27-43779A87
55 (3-Cyl.)	1984-87	USA	6428681-0B122929	REC27-88449A32
55 (3-Cyl.)	1984-87	BEL	9385911-9469199	REC27-88449A32
55 (3-Cyl.)	1984-87	CAN	7208333-0A721307	REC27-88449A32
55 (3-Cyl.)	1988-90	USA	0B122930-0D000749	REC27-43779A87
55 (3-Cyl.)	1988-90	BEL	9469200-9683054	REC27-43779A87
55 (3-Cyl.)	1988-90	CAN	0A721308+	REC27-43779A87
60 (3-Cyl.)	1984-87	USA	6428681-0B122929	REC27-88449A32
60 (3-Cyl.)	1984-87	BEL	9385911-9469199	REC27-88449A32
60 (3-Cyl.)	1984-87	CAN	7208333-0A721307	REC27-88449A32
60 (3-Cyl.)	1988-90	USA	0B122930-0D000749	REC27-43779A87
60 (3-Cyl.)	1988-90	BEL	9469200-9683054	REC27-43779A87
60 (3-Cyl.)	1988-90	CAN	0A721308+	REC27-43779A87
65 (650) (3-Cyl.)	1976	USA	4382057-4571651	REC27-88449A32
65 (650) (3-Cyl.)	1976	BEL	9112989-9135824	REC27-88449A32
65 (650) (3-Cyl.)	1976	CAN	7073473-7087822	REC27-88449A32
70 (3-Cyl.)	1977-79	USA	4571652-0A996141	REC27-88449A32
70 (3-Cyl.)	1977-79	AUS	8042350	REC27-88449A32
70 (3-Cyl.)	1977-79	BEL	9135825-9385910	REC27-88449A32
70 (3-Cyl.)	1977-79	CAN	7087823-7208332	REC27-88449A32
70 (3-Cyl.)	1987	USA	0A996142+	REC27-43004A99
70 (3-Cyl.)	1987	BEL	9483121	REC27-43004A99
75 (4-Cyl.)	1984-88	USA	6432901	
75 (4-Cyl.)	1984-88	BEL	9393856	
75 (4-Cyl.)	1984-88	CAN	7208573	
80 (80, 800) (4-Cyl.)	1978-79	USA	4831999-6432900	
80 (80, 800) (4-Cyl.)	1978-79	AUS	8050200	



JUNTA CULATA
CYLINDER HEAD GASKET
GUARNIZIONE TESTATA
JOINT DE CULASSE

KIT JOINTS

80 (80, 800) (4-Cyl.)	1978-79	BEL	9177626-9393855		
80 (80, 800) (4-Cyl.)	1978-79	CAN	7110998-7208572		
80 (3-Cyl.)	1987	USA	0A996142+	REC27-43004A99	
80 (3-Cyl.)	1987	BEL	9483121	REC27-43004A99	
80 Jet (4-Cyl.)	1994-98	USA	0D283222+	REC27-13461A99	
80 Jet (4-Cyl.)	1994-98	BEL	9793577	REC27-13461A99	
90 (90, 900) (6-Cyl.)	1978-79	USA	4845301	REC27-85653A87	
90 (90, 900) (6-Cyl.)	1978-79	CAN	7111698	REC27-85653A87	
90 (90) (6-Cyl.)	1980-83	AUS	8060545	REC27-85653A87	
90 (3-Cyl.)	1987	USA	0A996142+	REC27-43004A99	
90 (3-Cyl.)	1987	BEL	9483121	REC27-43004A99	
100 (4-Cyl.)	1988-98	USA	0B209468+	REC27-13461A99	
100 (4-Cyl.)	1988-98	BEL	9523034	REC27-13461A99	
105 Jet (V6)	1996	USA	0D082000+	REC27-815791A92	REC27-18785T
115 (1150, 115) (6-Cyl.)	1973-79	USA	3525441	REC27-85653A87	
115 (1150, 115) (6-Cyl.)	1973-79	AUS	8008665	REC27-85653A87	
115 (1150, 115)	1978-79	CAN	7112248	REC27-85653A87	
115 (4-Cyl.)	1988-93	USA	0C100000+	REC27-13461A99	
115 (4-Cyl.)	1988-93	BEL	9559771	REC27-13461A99	
125 (4-Cyl.)	1994-98	USA	0D283222+	REC27-13461A99	
125 (4-Cyl.)	1994-98	BEL	9793577	REC27-13461A99	
140 (140, 1400) (6-Cyl.)	1972	USA	3293234-3502805	REC27-85653A87	
140 (140, 1400) (6-Cyl.)	1978-79	USA	4865678	REC27-85653A87	
140 (140, 1400) (6-Cyl.)	1978-79	AUS	8052650	REC27-85653A87	
140 (140, 1400) (6-Cyl.)	1978-79	CAN	7112773	REC27-85653A87	
150 (1500) (6-Cyl.)	1973-78	USA	3502806-5327662	REC27-85653A87	
150 (1500) (6-Cyl.)	1973-78	AUS	8005615-8052649	REC27-85653A87	
150 (1500) (6-Cyl.)	1973-77	CAN	7010533-7112772	REC27-85653A87	
V-135	1986-88	USA	0A904646-0C239552	REC27-90484A88	REC27-96542-1
V-135	1991	USA	0C239553-0G960499	REC27-815791A92	REC27-18785T
V-135	1996-98	USA	0G960500-0T178499		REC27-18785T
V-135 DFI	1992-95	USA	0C590000-0G960499	REC27-814754A00	
V-135 DFI	1998	USA	0G960500+	REC27-814754A00	
V-140 Jet	1996-98	USA	0D082000-0G960499	REC27-815791A92	REC27-822844T04
V-150 (150, 1500)	1973-77	USA	4868998-6042945	REC27-79583A81	REC27-79583-1
V-150	1982-90	USA	6042946-0C239552	REC27-90484A88	REC27-96542-1
V-150	1988-91	USA	0C239553-0G960499	REC27-815791A92	REC27-18785T
V-150	1996-98	USA	0G960500+	REC27-814754A00	
V-150 (XR4 / Magnum II)	1988	USA	0B242885-0C239552	REC27-11338A88	REC27-41246-1
V-150 (XR4)	1991	USA	0C239553-0D081999	REC27-815791A92	REC27-418786T
V-150 (XR6 / Magnum III)	1992-95	USA	0D082000-0G960499	REC27-815791A92	REC27-822844T04
V-150 (XR6 / Magnum III)	1996-98	USA	0G960500+	REC27-814754A00	
V-150 EFI	1993-98	USA	0D082000-0G960499	REC27-815791A92	REC27-822844T04
V-150 DFI	1998	USA	0D590000-0G960499	REC27-814754A00	
V-150 DFI	1998	USA	0G960500+	REC27-814754A00	
V-175 (175, 1750)	1976-81	USA	4301235-6618750	REC27-79583A81	REC27-79583-1
V-175 (175, 1750)	1976-79	AUS	8058870	REC27-79583A81	REC27-79583-1
V-175	1985-88	USA	6618751-0C239552	REC27-11338A88	REC27-41246-1
V-175	1991	USA	0C239553-0D081999	REC27-815791A92	REC27-418786T
V-175	1992-95	USA	0D082000-0G960499	REC27-815791A92	REC27-822844T04
V-175 EFI	1992-95	USA	0D000750-0D081999	REC27-815791A92	REC27-418786T
V-175 EFI	1992-95	USA	0D082000-0G960499	REC27-815791A92	REC27-822844T04
V-175 EFI	1992-98	USA	0T178500+	REC27-814754A00	
V-200 (200, 2000)	1978-79	USA	4839034-6073191		REC27-41245-1
V-200 (200, 2000)	1980-81	AUS	8061595-8065672		REC27-41245-1
V-200	1982	USA	6073192-6203990		REC27-41245-1
V-200	1983	USA	6203991-0C291519	REC27-89221A88	REC27-41246-1
V-200	1991	USA	0C291520-0D081999	REC27-815791A92	REC27-822844T04
V-200	1992-95	USA	0D082000 +	REC27-815791A92	REC27-822844T04
V-200 EFI	1989-90	USA	0C100861-0C291519	REC27-14697A87	REC27-41246-1
V-200 EFI	1991	USA	0C291520-0G960499	REC27-815791A92	REC27-822844T04
V-220	1987-88	USA	0B117316+	REC27-14697A87	REC27-41246-1
V-225	1980-81	USA	5628028		REC27-41245-1
V-225 EFI (3.0L) (1)	1995-98	USA	0G129222-0T408999		REC69J-11181-03
V-225 EFI (3.0L) (1)	1995-98	USA	0T409000-0T598999		REC69J-11181-03
V-225 EFI (3.0L) (1)	1995-98	USA	0T599000+		REC69J-11181-03

MERCURY

RECAMBIO
MARINOS

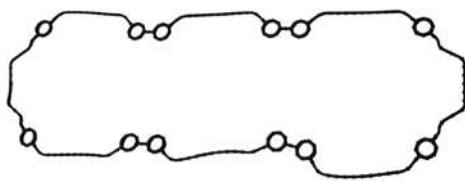
RETENES TAPA CULATA

GASKET CYLINDER SEALS

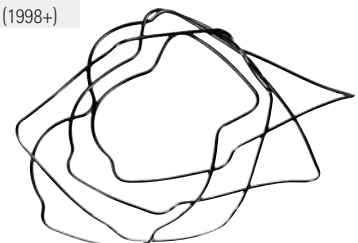
PARAOLIO COPERCHIO
TESTATA

JOINT COUVERCLE DE
CULASSE

REF	OEM	
REC81554	858452-1	V6 2.5L (1998+)




REF	OEM	
REC818574	818574	V6 3.0L (1998+)

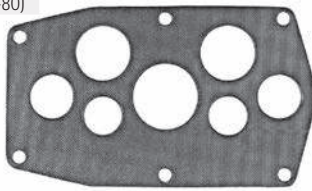



2T
STROKES

JUNTAS DE CULATÍN GASKET, HEAD COVER GUARNIZIONI COPERCHIO TESTATA JOINT DE COUVRE CULASSE


REF	OEM	Icon
REC27-78410	27-78410	


20 HP (1978-80)




REF	OEM	Icon
REC27-85487	27-85487	


45, 50 HP (4 cyl) (1980-86)



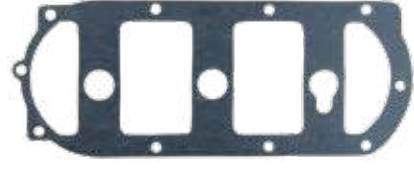
REF	OEM	Icon
REC27-43772	27-43772-2	


30 Jet
40 -50 HP (4 cyl) (1980-97)




REF	OEM	Icon
REC27-437792	27-43779-2	


50-60 HP (3 cyl) (1984-90)



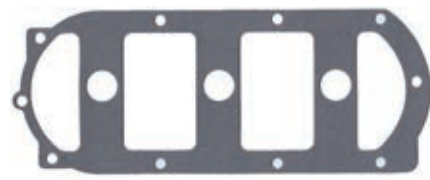
REF	OEM	Icon
REC27-856729	27-85490-2	


35/40 (2 cyl) (1980-89)



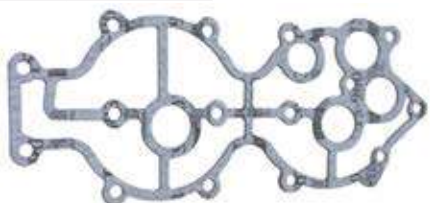
REF	OEM	Icon
REC27-88449	27-88449	


50- 70 HP (3 cyl) (1980-90)




REF	OEM	Icon
REC6E9-11193-A0	27-97704M	


40C, 40 Twin Carb



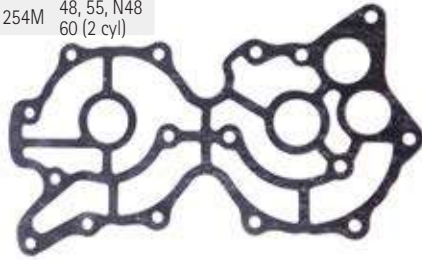
REF	OEM	Icon
REC27-96278	27-96278	


135-200 HP (V-Models) (1976-88)




REF	OEM	Icon
REC663-11193-00	27-81254M	

48, 55, N48
60 (2 cyl)



REF	OEM	Icon
REC951853	27-98185 27-981853	

90, 115 HP (6 cyl in line)



CIGÜEÑAL

CRANKSHAFT

ALBERO MOTORE

VILEBREQUIN

2T
STROKES

RETENES

OIL SEALS

PARAOLIO

JOINT SPI

REF	OEM
REC26-16977	26-16977
REC26-419533	26-41953 3
REC26-43993	26-43993
REC26-66301	26-66301
REC26-56397	26-56397
REC26-66302	26-66302
REC26-859093	26-815449
REC26-830898	26-830898



REC26-859093



REC26-16977



REC26-43993



REC26-66301



REC26-56397



REC26-66302



REC26-830898



REC26-419533

2T
STROKES

AROS TÓRICOS

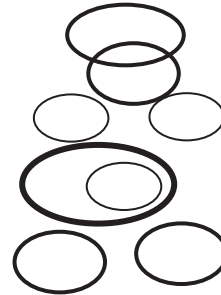
O-RINGS

O-RING

JOINT TORIQUE

REF	OEM
REC25-20081	25-20081
REC308627	25-20826
REC25-80863	25-20863
REC553126	25-31305
REC25-33465	25-54029
REC25-823683	25-823683
REC25-32546	25-32546

REF	OEM
REC25-62700	25-62700
REC25-62706	25-67207
REC335523	25-88955
REC25-90011	25-90011
REC25-89497	25-89497
REC310414	25-47254




2T
STROKES

COJINETE

BEARING

CUSCINETTO

ROULEMENT

REF	OEM	Image
REC31-16756A6	31-16756A6	
REC30-160494	30-160494	V135 - V200 XR6
REC30-16049	30-16049	9.9, 15, 18 HP International
REC31-816773A2	31-816773A1	2, 2.5, 3.5 HP
REC377139	30-63742T 30-63742	20, 225, 250 (3.0L) EFI / DFI
REC30-67923T	30-67923T 30-67923	35 - 115 HP
REC30-64424T	30-64424T 30-64424	V135 - 300 HP
REC30-62567T	30-62567T	50, 60, 70 HP 3 CYL
REC31-812873A1	31-812873A1	75, 80, 90, 115 HP 4 CYL
		45 JET, 502, 55, 60 (3 Cyl)



REC31-16756A6



REC31-816773A2



REC30-67923T



REC30-62567T



REC30-16049
REC30-160494



REC30-64424T



REC377139



REC31-812873A1

MERCURY

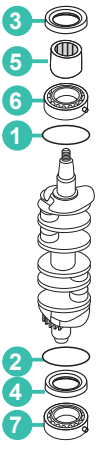
RECAMBIOS
MARINOS

GUÍA COJINETES, RETENES Y AROS TORICOS

BEARINGS, OIL SEALS & O-RINGS GUIDE

GUIDA CUSCINETTO, TENUTE E FASCE

GUIDE DE ROULEMENTS, JOINTS ET TORIQUES



T	1		2		3		4		5		6		7	
	Year	Model	Part No.	Part No.	Part No.	Part No.	Part No.	Part No.	Part No.	Part No.	Part No.	Part No.	Part No.	Part No.
3.6	1980-82	BEL 9252831	REC25-80863				REC26-56397							
4 (40)	1	1972-74	BEL 9000306-9072178	REC25-80863			REC26-56397				REC30-16049			
4	1	1982-86	BEL 9258281	REC25-80863			REC26-56397				REC30-16049			
4	1	1987-88	BEL 9477830								REC30-16049			
4 (40) (Gnat)	2	1976-79	BEL 9075839-9256980		REC25-62706									
4 (40)	2	1980-81	BEL 9256981		REC25-62706									
4.5 (4.5, 45)	1	1975-79	BEL 9072179-9258280	REC25-80863			REC26-56397							
4.5	1	1980-85	BEL 9258281	REC25-80863			REC26-56397							
5	1	1987-89	BEL 9477830								REC30-16049			
6		1986-93	BEL 9461526											
7.5 (7.5, 75)		1974-77	BEL 9043194	REC25-80863										
8		1986-93	BEL 9461526											
9.8 (9.8) (110)		1974-77	BEL 9041439	REC25-80863										
9.9		1986-93	BEL 9461526											
10 (XR10)		1990-93	BEL 9596000											
10 (Magnum, Sea Pro, Marathon)		1990-93	BEL 9596000											
15		1988-93	BEL 9542620											
15 (Sea Pro, XD, Marathon)		1997-98	BEL 9927000											
15 (Super)		1994-98	BEL 9507381											
18 (18, 18 XD)		1980-83	BEL 9308306											
20 (200, 20)		1973-77	BEL 9016254-9415100				REC26-66302				REC30-63326T	REC30-63326T		
20 (20, 20XD)		1986-87	BEL 9415101											
25 (25, 25XD)	2	1980-83	BEL 9315316											
40 (402)	2	1972-74	BEL 3339688-9076838	REC310414			REC26-419533	REC26-419533					REC377139	
40 (402, 40)	2	1975-77	BEL 9076839	REC310414	REC25-823683		REC26-419533	REC26-419533					REC377139	
40	4	1989	BEL 9570790-9793444		REC25-32546		REC26-66301	REC26-419533			REC377139	REC377139		
40	4	1989	BEL 9793445		REC25-32546		REC26-419533	REC26-419533			REC377139	REC377139		
40	3	1997-98	BEL 9973100		REC25-896523			REC26-419533			REC377139	REC377139		
45	4	1986	BEL 9248006				REC26-419533	REC26-419533			REC377139	REC377139		
50 (50, 500)	4	1971-74	BEL 9001581				REC26-419533	REC26-419533			REC377139	REC377139		
50	3	1986-87	BEL 9385911-9683054		REC25-32546		REC26-419533	REC26-419533	REC30-64424T	REC30-64424T				
50	3	1991-95	BEL 9683055-9973099		REC25-896523			REC26-419533	REC31-812873A1				REC377139	
50	3	1998	BEL 9973100		REC25-896523			REC26-419533					REC377139	
55	3	1996	BEL 9683055-9973099		REC25-896523			REC26-419533	REC31-812873A1				REC377139	
55	3	1998	BEL 9973100		REC25-896523			REC26-419533					REC377139	
60	3	1984-87	BEL 9385911-9683054		REC25-32546		REC26-419533	REC26-419533	REC30-64424T	REC30-64424T	REC30-64424T			
60	3	1991-95	BEL 9683055-9973099		REC25-896523		REC26-66301	REC26-419533	REC31-812873A1				REC377139	
65 (650)	3	1973-76	BEL 9020074-9135824	REC310414	REC25-32546		REC26-419533	REC26-419533			REC30-64424T	REC30-64424T		
70	3	1977-83	BEL 9135825-9385910		REC25-32546		REC26-419533	REC26-419533			REC30-64424T	REC30-64424T		
70	3	1987	BEL 9483121-9506480	REC25-823683				REC26-419533	REC31-43013T3					
70	3	1988-89	BEL 9506481	REC25-823683	REC25-33465			REC26-419533	REC31-43013T3					
75	4	1984-88	BEL 9393856	REC310414	REC25-32546		REC26-419533	REC26-419533			REC30-62567T	REC377139		
75	3	1990-93	BEL 9589039	REC25-823683				REC26-419533	REC31-43013T3					
80 (80, 800)	4	1978-79	BEL 9177626-9393855	REC310414	REC25-32546		REC26-419533	REC26-419533			REC30-62567T	REC377139		
80	3	1987	BEL 9483121-9506480	REC25-823683				REC26-419533	REC31-43013T3					
80	3	1987	BEL 9506481	REC25-823683	REC25-33465			REC26-419533	REC31-43013T3					
85 (850)	4	1973-77	BEL 9011604-9177625	REC310414	REC25-32546		REC26-419533	REC26-419533			REC377139	REC377139		
90	3	1987	BEL 9483121	REC25-823683				REC26-419533	REC31-43013T3					
100	4	1988-93	BEL 9523034-0P016999	REC25-823683			REC26-419533	REC26-419533	REC31-43013T3					
100 Retén superior redondo Round upper o-ring Tenuta superiore redonda Joint supérieur ronde	4	1994-98	BEL 0P017000 +	REC25-823683				REC26-419533	REC31-43013T3					
100 Retén superior cuadrado Square upper o-ring Tenuta superiore quadrata Joint supérieur carré	4	1994-98	BEL 0P017000 +					REC26-419533	REC31-43013T3					
115	4	1988-93	BEL 9559771-0P016999	REC25-823683				REC26-419533	REC31-43013T3					
115 Retén superior redondo Round upper o-ring Tenuta superiore redonda Joint supérieur ronde	4	1988-93	BEL 0P017000 +	REC25-823683				REC26-419533	REC31-43013T3					

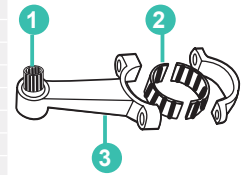
2T
STROKESGUÍA
RODAMIENTOSGUIDE
ENGINE BEARINGGUIDA
CUSCINETTIGUIDE
ROULEMENTS

1

2

3

15 (Marathon Sea Pro)	1997-98	9927000			REC31-879877A1	
15 (Super)	1994-98	9507381-9855586			REC31-879877A1	
15 (Super)	1994-98	9855587			REC31-879877A1	
18	1980-83	9308306-9378115			REC31-879877A1	
18	1980-83	7200763-7207856			REC31-879877A1	
18	1983 1/3	9378115-9415100			REC31-879877A1	
18 (18XD)	1984-85	9378151-9467987			REC31-879877A1	
18 XD	1984-85	9467988			REC31-879877A1	
20 (20XD) (2-Cyl.)	1986-87	9415101-9467987			REC31-879877A1	
20 (20XD) (2-Cyl.)	1986-87	9467988			REC31-879877A1	
20 (20)	1988-94	9507381			REC31-879877A1	
20 (20, 20 Jet) (2-Cyl.)	1994-98	9807909-9855586			REC31-879877A1	
20 (20, 20 Jet) (2-Cyl.)	1994-98	9855587			REC31-879877A1	
25	1980-83	9315316-9369470			REC31-879877A1	
25 (2-Cyl.)	1983 1/2	9369471-9415100			REC31-879877A1	
25 (XD)	1984-87	9415101-9467987			REC31-879877A1	
25 (XD)	1988-94	9467988			REC31-879877A1	
25 (25, 25 Sea Pro, 25 Marathon)	1988-94	9507381-9855586			REC31-879877A1	
25 (25, 25 Sea Pro, 25 Marathon)	1994-98	9855587			REC31-879877A1	
35 (2-Cyl.)	1984-86	9384476		REC29-47270	REC31-62596A1	
40 (402)	1972-74	3339688-9076838		REC29-47270	REC31-62596A1	
40 (402, 40)	1975-77	9076839-9251455		REC29-47270	REC31-62596A1	
40 (2-Cyl.)	1980-83	9251456		REC29-47270	REC31-62596A1	
40 (3-Cyl.)	1997-98	9973100		REC29-47270	REC31-17514A2	
40 (4-Cyl.)	1989	9570790	REC29-71422-1			
45 (4-Cyl.)	1986	9248006	REC29-71422-1			
50	1976-79	9217256-9248005	REC29-71422-1			
50 (4-Cyl.)	1980-85	9248006	REC29-71422-1			
50 (3-Cyl.)	1991-95	9683055-9973099		REC29-47270	REC31-17514A2	
50 (3-Cyl.)	1998	9973100		REC29-47270	REC31-17514A2	
50 (3-Cyl.)	1986-87	9385911-9683054	REC29-71422-1	REC29-47270	REC31-62596A1	
55 (3-Cyl.)	1996	9741042-9973099		REC29-47270	REC31-17514A2	
55 (3-Cyl.)	1998	9973100		REC29-47270	REC31-17514A2	
60 (3-Cyl.)	1984-87	9385911-9683054	REC29-71422-1	REC29-47270	REC31-62596A1	
60 (3-Cyl.)	1991-95	9683055-9973099		REC29-47270	REC31-17514A2	
60 (59 CID) (3-Cyl.)	1998	9973100		REC29-47270	REC31-17514A2	
65 Jet	1994-98	9793577		REC29-818391001	REC31-43012A1	
70 (3-Cyl.)	1977-79	9135825-9255130	REC29-71422-1	REC29-47270	REC31-62596A1	
70 (3-Cyl.)	1980-83	9255131-9385910	REC29-71422-1	REC29-47270	REC31-62596A1	
70 (3-Cyl.)	1987	9483121		REC29-88258	REC31-43012A1	938-8532-1
70 (3-Cyl.)	1987	9483121		REC29-818391001	REC31-43012A1	638-818846
75 (4-Cyl.)	1984-88	9393856	REC29-71422-1	REC29-47270	REC31-62596A1	
75 (3-Cyl.)	1990-93	9589039-9793576		REC29-88258	REC31-43012A1	638-8532-1
75 (3-Cyl.)	1990-93	9589039-9793576		REC29-818391001	REC31-43012A1	638-818846
75 (3-Cyl.)	1994-98	9793577		REC29-818391001	REC31-43012A1	
80 (80, 800) (4-Cyl.)	1978-79	9177626-9256130	REC29-71422-1	REC29-47270	REC31-62596A1	
80 (80) (4-Cyl.)	1980-83	9256131-9393855	REC29-71422-1	REC29-47270	REC31-62596A1	
80 (3-Cyl.)	1987	9483121-9589038		REC29-88258	REC31-43012A1	638-8532-1
80 (3-Cyl.)	1987	9483121-9589038		REC29-818391001	REC31-43012A1	646-818846
80 Jet	1994-98	9793577		REC29-818391001	REC31-43012A1	
85 (850) (4-Cyl.)	1973-77	9011604-9053363	REC29-71422-1	REC29-47270	REC31-62596A1	
85 (850) (4-Cyl.)	1973-77	9053364-9177625	REC29-71422-1	REC29-47270	REC31-62596A1	
90 (3-Cyl.)	1987	9483121-9793576		REC29-88258	REC31-43012A1	638-8532-1
90 (3-Cyl.)	1987	9483121-9793576		REC29-818391001	REC31-43012A1	646-818846
90 (90) (3-Cyl.)	1994-98	9793577		REC29-818391001	REC31-43012A1	
115 (4-Cyl.)	1988-93	9559771		REC29-88258	REC31-43012A1	638-8532-1
115 (4-Cyl.)	1989-93	9559771		REC29-818391001	REC31-43012A1	646-818846
115 (4-Cyl.)	1994-98	9793577		REC29-818391001	REC31-43012A1	
125 (4-Cyl.)	1994-98	9793577		REC29-818391001	REC31-43012A1	

2T
STROKES

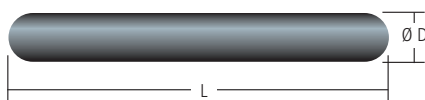
AGUJA DE COJINETE

NEEDLE BEARING

AGHI CUSCINETTO

AGUILLE DE PALIER

REF	OEM	L +0 -0.008	D Ø +0 -0.002
REC29-47270	29-47270	41/64"	3/32"
REC29-67483	29-67483	51/64"	3/32"
REC29-71422-1	29-71422-1	39/64"	5/32"
REC29-818391001	29-818391 818391001	59/64"	3/32"
REC29-822553	29-822553	45/64"	3/32"
REC29-88258	29-88258	1-1/32"	3/32"



2T
STROKES

COJINETE DE BIELA

CONNECTING ROD BEARING

CUSCINETTO BIELLA


ROULEMENT DE BIELLE


REF	OEM	
REC31-16052	31-16052	4 - 18 HP



REF	OEM	
REC31-8130482	31-813048 2	25 / 30 / 40 HP (Inter.)







REF	OEM	
REC31-813048	31-813048	4, 5 HP



REF	OEM	
REC31-16756A4	31-16756A4	
REC31-43013T3	31-43012T3	75 - 125 HP
REC31-74248T	31-74248T	



REF	OEM		\emptyset		
REC31-43012A1	31-43012A1, A2	60 - 250HP	1.4063"	16	METAL METALLO





OEM	RO OEM	\emptyset		
REC31-17514A2	31-17514A1, A2	1.1825" 30 mm	16	METAL METALLO



OEM	RO OEM
REC31-8036752	31-803675 2



REF	OEM	
REC31-17514A2	8M0045428	30 - 60 HP V-135 - V200 / XR-6





REF	OEM	
REC827955A2	827955A2	30 - 60 HP





REF	OEM	
REC42943A1	42943A1	70 - 115 HP





OEM	RO OEM	\emptyset		
REC31-879877A1	31-879877A1	0.875"	16	METAL METALLO
REC31-62596A1	31-62596A1	1.125"	16	METAL METALLO



OEM	RO OEM	\emptyset		
REC378252	31-67445	1.375"	16	METAL METALLO



OEM	RO OEM	\emptyset		
REC5007190	31-88269T	2.1875"	16	Plástico Plastic Plastica Plastique



MERCURY

RECAMBIOS
MARINOS

PISTONES

PISTON

PISTONE

PISTONS

2T
STROKES

KITS DE PISTONES

La gama de pistones RECMAR®, se suministrará siempre como kit, compuesto por pistón, aros, bulón y clips. Eventualmente las referencias antiguas sufren cambios de numeración. En caso de duda contacten con nuestros técnicos comerciales.

PISTON KITS




The RECMAR® piston assortment is always supplied as a set (piston, rings, pins and bearings). Old references may change. In case of any doubt contact our technicians.

KIT PISTONE




La gamma dei pistoni RECMAR®, si vende sempre come kit, composto da pistoni, fasce, bulloni e clips. Le referenze vecchie avranno un cambio di numerazione. In caso di dubbi contattare i nostri tecnici commerciali.

KIT PISTON

La gamme de pistons RECMAR® sera toujours fournie en kit, comprenant piston, segments, axe et clips. Les anciennes références subissent des modifications de numérotation. En cas de doute, contactez nos technico commerciaux

STD Ø 65mm 2.562"		REF		OEM		
	REC780-9229A7	780-9229A7				
	REC39-18653A12	39-18653A12				4 cyl IN LINE 30 JET (1998-02) 40 HP (1990-97) 45 HP (1985-89) 50 HP (1970-85)







STD		REF		OEM		
	PORT REC2720-881054T10K	2720-881054T3				
	STB REC2720-881055T10K	2720-881055T3				
	REC29-88258	29-88258001				







STD Ø 76 mm 2.993"		REF		OEM		
	REC705-850026T1K	705-850026A3				
	REC39-821695A4	39-821695A4				3 cyl 40 HP (1997-02) 50 HP (1998-02) 55 HP (1998-02) 60 HP (1998-02)
	REC29-47270	29-47270	REC29-47270	29-47270		



STD Ø 76 mm 2.993"		REF		OEM		
	REC783-9613A1K	783-9613T1	REC783-9613T3	783-9613T3		
	REC39-19721A6	39-19721A6				3 cyl 45 JET (1984-90) 50 HP / 55 HP / 60 HP (1998-02)
	REC29-47270	29-47270	REC29-47270	29-47270		












STD Ø 79 mm 3.125"		REF		OEM		
	PORT REC765-7442T36	765-7442T36	REC765-7446T12	765-7446T12		
	STB REC765-7441T36	765-7441T36	REC765-7445A12	765-7445A12		6 cyl V135 (0A904646-0D081999) (636-8118) V150 (4868998-0D081999) (636-8118) V150 XR2 (468998-0A904645) V175 (4301235-6618750)
	REC29-67483	29-67483	REC29-67483	29-67483		














STD Ø 79 mm 3.125"		REF		OEM		
	PORT REC765-7442T32	765-7442T32	REC765-7446A11	765-7446A11		
	STB REC765-7441T32	765-7441T32	REC765-7445T11	765-7445T11		6 cyl V150 Jet (0G760299) V135 (0C239553-0T178499) (644-818141) V135 (0C239553-0T178499) (644-818141) V140 Jet (0G760299+) V150 (0C239553-0G760299) (644-818141)
	REC29-822553	29-822553	REC29-822553	29-822553		












	STD Ø 85 mm 3.375"		0.30		LoopCharge		
	REF	OEM	REF	OEM			
	REC777-9009T13	777-9009T13	REC777-9009A7	777-9009A7	3 cyl 70 HP (1987-89) 75 HP (1990-93) 80 HP (1987-89) 90 HP (1987-93)		
	REC29-88258	29-88258	REC29-88258	29-88258	4 cyl 100 HP (1989-93) 115 HP (1989-93)		

	STD Ø 85 mm 3.375"		0.30		LoopCharge	 	
	REF	OEM	REF	OEM			
	REC777-815965A4	777-815965A4	REC777-815965A6	777-815965A6	3 cyl 70 HP (1987-89) 75 HP (1990-93) 80 HP (1987-89) 90 HP (1987-93)	646-818846.	
	REC29-818391001	29-818391	REC29-818391001	29-818391	4 cyl 100 HP (1989-93) 115 HP (1989-93)		

	STD Ø 85 mm 3.375"		0.30		LoopCharge		
	REF	OEM	REF	OEM			
	PORT REC766-8667T41	766-8667T41	REC14355		V-6, XR4, MAG II		
	STB REC766-8666T41	766-8666T41	REC14365				
	REC39-813011A12	39-813011A12			V175 (6618751 - 0C239552) V100 (5624878 - 0C219519) V200 EFI (9C100861 - 0C999999)		
	REC29-67483	29-67483	REC29-67483	29-67483	V220 (0B117316+) V225 (5628028+)		

	STD Ø 88.9 mm 3.500"		0.30		LoopCharge		
	REF	OEM	REF	OEM			
	REC2704-826191T4K	2704-826191A4	REC2704-821896A4	2704-821896A4	3 cyl 65 / 80 JET (1994-98) 75 / 90 HP (1994-04)		
			REC39-822321A2	39-822321A2			
	REC29-818391001	29-818391	REC29-818391001	29-818391	4 cyl 100 HP (1994-01) 115 HP (1994-04) 125 HP (1994-04)		

	STD Ø 88.9 mm 3.500"		0.30 3.375"		LoopCharge		
	REF	OEM	REF	OEM			
	PORT REC785-9737T9	785-9737T9	REC14450		V-6 60°		
	STB REC785-9738T9	785-9738T9	REC14460		6 cyl V140 Jet (0G760300-0T178499) XR6, MAGIII (0D082000-1B226999) 150 XRI (0D082000-0G303045) 175 XRI (0D000750-0G303045) V175 2.5L (0D082000-0G960499) 200 XRI (0C291520-0G303045) V200 2.5L (0D082000-1B226999) V200 2.5L (0C291520-0D081999) V200 EFI (0G303046-0T408999)	644-818141) 644-818141)	
	2 mm REC39-822321A2	39-822321A12	REC39-822321A2	39-822321A12			

	STD Ø 73 mm 2.875"		0.30		Crossflow		
	REF	OEM	REF	OEM			
			REC774-9137A11	774-9137A11	4 cyl Inline 75 HP (1984-86) 80 HP (1978-83) 85 HP (1973-77)		
	REC39-817096A6	39-817096A6			3 cyl 40 HP (1990-97) 50 JET (1984-90) 50 HP / 60 HP (1984-90) 70 HP (1977-83)		





2T
STROKES

GUÍA BIELAS, CIGÜEÑAL Y PISTÓN

CONNECTING ROD, CRANKSHAFT & PISTON GUIDE

GUIDA BIELLE, ALBERO MOTORE E PISTONE

GUIDE BIELLE, VILEBREQUIN PISTON

				
4A	6E0-001011 +	REC6E0-11651-01		REC6E0-11631-00-98K
04/05/21	OP017000 +			REC779-9615T
4/5 (1 Cyl, JAPAN)	477830 - 9589153			REC779-9615T
6 & 8 (2 Cyl) (INTER.)	ON027903 +	REC629-8036741		REC779-804886
6 & 8 (2 Cyl) (INTER.)	ON055110 +	REC629-8036741		REC779-804886
8 SEAPRO (2 Cyl) (INTER.)	ON14717 +	REC629-8036741		REC779-804886
9.8 (2 Cyl) (INTER.)	ON007788 - ON055109	REC629-8036741		REC779-804886
9.8 SEAPRO (2 Cyl) (INTER.)	ON055110 +	REC629-8036741		REC779-804886
9.9 (2 Cyl) (INTER.)	ON059858 +	REC629-803674		REC779-803677T02
15 (2 Cyl) (INTER.)	ON001590 +	REC629-803674		REC779-803677
18 (2 Cyl) (INTER.)	ON001590 +	REC629-803674		REC779-803677
25 JET (2 Cyl) (INTER.)	ON088578 +	REC629-813047T01		REC779-879194T01
25 & 30 (2 Cyl) (INTER.)	ON055505 +	REC629-813047T01		REC779-879194T01
30 JET (3 Cyl)	9973100	REC640-9612A7		REC705-850026T1K
40 (INTER.)	ON056265 +	REC629-880855		REC779-96152
40 LIGHTNING (INTER.)	ON000001- ON056164	REC629-880855		REC779-96152
40 LIGHTNING XR (INTER.)	ON000513 +	REC629-880855		REC779-96152
40MXL SEAPRO	ON037781 - ON056164	REC629-880855		REC779-96152
40 (3 Cyl)	9973100	REC640-9612A7		REC705-850026T1K
40 JET	OP094500 +	REC640-9612A7	REC2411-827954T2	REC705-850026T1K
45 JET	9973100 - OP094499	REC640-9612A7	REC2411-827954T2	REC705-850026T1K
50MH	ON056165 +	REC629-880855		REC779-96152
50 (3 Cyl)	9683055 - 9973099	REC640-9612A7		REC783-9613A1K
50 (3 Cyl)	9973100	REC640-9612A7		REC783-9613A1K
55 & 60 (3 Cyl)	9973100	REC640-9612A7	REC2411-827954T2	REC705-850026T1K
60 BIGFOOT (3 Cyl)	9973100	REC640-9612A7	REC2411-827954T2	REC705-850026T1K
65 & 80 JET	9793577	REC646-818845T6	REC493-827616T1 (NOT 80HP)	REC2704-826191T4K
75 & 90 (3 Cyl)	9483121 - 9793576 (638-8532-1)	REC638-9002A6		REC777-9009T13
75 & 90 (3 Cyl)	9483121 - 9793576 (646-818846)	REC646-818845T6		REC777-815965A4
75 & 90 (3 Cyl)	9793577	REC646-818845T6	REC493-827616T1	REC2704-826191T4K
100 & 115 (4 Cyl)	9523034 - 9793576 (638-8532-1)	REC638-9002A6		REC777-9009T13
100 & 115 (4 Cyl)	9523034 - 9793576 (646-818846)	REC646-818845T6		REC777-815965A4
100 (4 Cyl)	9793577 - OP058999	REC646-818845T6		REC2704-826191T4K
115 & 125 (4 Cyl)	9793577	REC646-818845T6		REC2704-826191T4K






2T
STROKES

GUÍA PISTÓN USA

PISTON GUIDE USA

GUIDA PISTONE USA

GUIDE PISTON USA

								
			STD	0.30	STD	0.30	STD	0.30
V-105 Jet	OD082000+		REC765-7442T32	REC765-7446A11	REC765-7441T32	REC765-7445T11	REC39-93481A12	
V-135	OA904646 - OD081999	636-8118	REC785-9737T9	REC765-7446T12	REC765-7441T36	REC765-7445A12	REC39-93481A12	
V-135	OA904646 - OD081999	644-818141	REC765-7442T32	REC765-7446A11	REC765-7441T32	REC765-7445T11	REC39-93481A12	
V-135	OD082000+		REC765-7442T32	REC765-7446A11	REC765-7441T32	REC765-7445T11	REC39-93481A12	
V-140 Jet	OD082000+		REC785-9737T9	REC14450	REC785-9738T9	REC14460		
V-150	OA904646 - OD081999	636-8118	REC785-9737T9	REC765-7446T12	REC765-7441T36	REC765-7445A12	REC39-93481A12	
V-150	OA904646 - OD081999	644-818141	REC765-7442T32	REC765-7446A11	REC765-7441T32	REC765-7445T11	REC39-93481A12	
V-150	OD082000+		REC765-7442T32	REC765-7446A11	REC765-7441T32	REC765-7445T11	REC39-93481A12	
XR6/ MAGIII	OD082000+		REC785-9737T9	REC14450	REC785-9738T9	REC14460		
V-175	6618751 - OC239552		REC766-8667T41	REC14355	REC766-8666741	REC14365	REC39-813011A12	
V-175	4301235		REC765-7442T36	REC765-7446T12	REC765-7441T36	REC765-7445A12	REC39-93481A12	
V-175	OD082000+		REC785-9737T9	REC14450	REC785-9738T9	REC14460		
V-200	4839034 - OC291519		REC766-8667T41	REC14355	REC766-8666741	REC14365	REC39-813011A12	
V-200	OC291520 - OD081999	644-818141	REC785-9737T9	REC14450	REC785-9738T9	REC14460		
V-200	OD082000+		REC785-9737T9	REC14450	REC785-9738T9	REC14460		
V-220 Laser	OB117316+		REC766-8667T41	REC14355	REC766-8666741	REC14365	REC39-813011A12	
V-225 (2.4L)	5628028		REC766-8667T41	REC14355	REC766-8666741	REC14365	REC39-813011A12	

GUÍA PISTÓN EUROPA		PISTON GUIDE EUROPE			GUIDA PISTONE EUROPA			GUIDE EUROPE				
CYL	STD	OEM STD	0.30	STD	OEM STD	0.30	REF	OEM	REF	OEM	REF	OEM
6 / 8 / 9.8 HP (Inter.)	2	REC779-804886	779-804886		REC39-803678A3	39-803678A3			REC41-8036801	REC31-8036752	REC629-8036741	
9.9 / 15 HP (Inter.)	2	REC779-803677T02	779-803677002		REC8M0080357	8M0080357			REC53-16057	REC31-16052	REC629-803674	
9.9 / 15C	2	REC6E7-11631-00K	761-7982M-T		REC682-11610-01	39-15320M			REC93450-15023	REC93602-14104		
15 SEA PRO XD SUPER 15 (9855587)	2		767-879878T5			39-827491A12						REC31-879877A1
18HP (Inter.)	2	REC779-803677	779-803677		REC39-803678A1	39-803678A1			REC53-16057	REC31-16052	REC629-803674	
20 JET (9855587)	2		767-879878T5			39-827491A12						REC31-879877A1
25 SEA PRO MARATHON (9855587)	2		767-879878T5			39-827491A12						REC31-879877A1
25 / 30 HP (Inter.) (62931)	2	REC779-879194T01	779-879194T01		REC39-16054A5	39-16054A5			REC53-16057	REC345-00042-0	REC629-813047T01	REC31-8130482
30A	2	REC689-11631-00K	761-8484M		REC689-11610-00	39-14235M			REC663-11634-00	REC93602-20M02	REC689-11651-00	REC93310-624U5
30, 40HP (9973100)	2	REC705-850026T3	705-850026A3		REC39-821695A4	39-821695A4				REC29-47270		REC31-17514A2
35 (9384476)	2		774-9137A9	REC774-9137A11	REC39-817096A6	39-817096A6				REC29-47270		
40 Lightning XR/ MXL (Inter.) (3339688)	3	REC779-96152	779-96152		REC8M0080349	8M0080349			REC53-16057	REC345-00042-0		
40 (40,402) (3339688)	2		774-9137A9	REC774-9137A11	REC39-817096A6	39-817096A6				REC29-47270		
40 (9973100)	3	REC705-850026T3	705-850026A3		REC39-821695A4	39-821695A4				REC29-47270	REC640-9612A7	REC31-17514A2
40 (9670790) Keystone	4	REC780-9229A7	780-9229A7		REC39-18653A12	39-18653A12						
45 (9248006) Keystone	4	REC780-9229A7	780-9229A7		REC39-18653A12	39-18653A12						
50 (500) (9901581) Keystone	4	REC780-9229A7	780-9229A7		REC39-18653A12	39-18653A12						
50 (9385111-9683054)	3			REC774-9137A11	REC39-817096A6	39-817096A6				REC29-47270		
50 (9683055 - 9973099)	3	REC783-9613A1K	783-9613A1	REC783-9613T3	REC39-19721A6	39-19721A6				REC29-47270		REC31-17514A2
50 (9973100)	3	REC705-850026T3	705-850026A3		REC39-821695A4	39-821695A4				REC29-47270		REC31-17514A2
55 (9683055 - 9973099)	3	REC783-9613A1K	783-9613T1	REC783-9613T3	REC39-19721A6	39-19721A6				REC29-47270	REC640-9612A7	REC31-17514A2
55 (9973100)	3	REC705-850026T3	705-850026A3		REC39-821695A4	39-821695A4				REC29-47270		REC31-17514A2
60 (9385911 - 9683054)	3		774-9137A9	REC774-9137A11	REC39-817096A6	39-817096A6				REC29-47270		
60 (9683055 - 9973099)	3	REC783-9613A1K	783-9613T1	REC783-9613T3	REC39-19721A6	39-19721A6				REC29-47270	REC640-9612A7	REC31-17514A2
60 (9973100)	3	REC705-850026T3	705-850026A3		REC39-821695A4	39-821695A4				REC29-47270	REC640-9612A7	REC31-17514A2
65 (9020074 - 9135824)	3			REC774-9137A11	REC39-817096A6	39-817096A6				REC29-47270		REC31-62596A1
70 (9135825 - 9385910)	3			REC774-9137A11	REC39-817096A6	39-817096A6				REC29-47270		REC31-62596A1
70 (9483121)	3	REC777-9009T13	777-9009T13	REC777-9009A7	REC39-96170A12	39-96170A12				REC29-88258		REC31-43012A1
75 (9393856)	4	REC777-815965A4	777-815965A4	REC777-815965A6	REC39-96170A12	39-96170A12				REC29-818391001	REC646-818845T6	646-8188461
75 (9589039 - 9793576)	3	REC777-9009T13	777-9009T13	REC777-9009A7	REC39-96170A12	39-96170A12				REC29-88258		638-8532-1
75 (9793577)	3	REC777-815965A4	777-815965A4	REC777-815965A6	REC39-96170A12	39-96170A12				REC29-818391001	REC646-818845T6	646-818846
80 (800) (9177626 - 93933855)	4	REC2704-826191T4K	2704-826191A4	REC2704-821896A4	REC39-822321A12	REC39-822321A2				REC29-818391001	REC646-818845T6	REC31-43012A1
85 (850) (9011804 - 9177625)	4		774-9137A9	REC774-9137A11	REC39-817096A6	39-817096A6				REC29-47270		REC31-62596A1
90 (9483121 - 9793576)	3	REC777-9009T13	777-9009T13	REC777-9009A7	REC39-96170A12	39-96170A12				REC29-88258		638-8532-1
90 (9793577)	3	REC777-815965A4	777-815965A4	REC777-815965A6	REC39-96170A12	39-96170A12				REC29-818391001	REC646-818845T6	646-818846
100 (9523034 - 9793576)	4	REC2704-826191T4K	2704-826191A4	REC2704-821896A4	REC39-822321A12	REC39-822321A2				REC29-818391001	REC646-818845T6	REC31-43012A1
100 (9793577)	4	REC777-9009T13	777-9009T13	REC777-9009A7	REC39-96170A12	39-96170A12				REC29-88258		638-8532-1
115 (9559771 - 9793576)	4	REC777-815965A4	777-815965A4	REC777-815965A6	REC39-96170A12	39-96170A12				REC29-818391001	REC646-818845T6	646-818846
115 (9793577)	4	REC2704-826191T4K	2704-826191A4	REC2704-821896A4	REC39-822321A12	REC39-822321A2				REC29-818391001	REC646-818845T6	REC31-43012A1
125 (0P017000+)	4	REC2704-826191T4K	2704-826191A4	REC2704-821896A4	REC39-822321A12	REC39-822321A2				REC29-818391001	REC646-818845T6	REC31-43012A1
125 (1250)	6		774-9137A9	REC774-9137A11	REC39-817096A6	39-817096A6				REC29-47270		REC31-62596A1
135 (1350)	6		774-9137A9	REC774-9137A11	REC39-817096A6	39-817096A6				REC29-47270		REC31-62596A1
140 (1400)	6		774-9137A9	REC774-9137A11	REC39-817096A6	39-817096A6				REC29-47270		REC31-62596A1
150 (1500)	6		774-9137A9	REC774-9137A11	REC39-817096A6	39-817096A6				REC29-822559	REC644-818141A2	REC31-16756A6
200 EL 225 (3.0L) DFI-DTS PORT PISTON	6	REC2720-881054T10K	2720-881054T10							REC29-88258	REC647-822373A09	REC31-43012A1
200 EL 225 (3.0L) DFI-DTS STB PISTON	6	REC2720-881055T10K	2720-881055T10							REC29-88258	REC647-822373A09	REC31-43012A1

2T
STROKESAROS ESTANDAR PARA
PISTONES

STANDARD PISTON RINGS

FASCE STANDARD PER
PISTONI



SEGMENTS STANDARD

				OEM					OEM	
30 JET	9570790+			RM39-27841A12	39-2784112	115 4 cyl	9793577+		39-822321A12	
35	938476+			REC39-817096A6	39-817096A6	125	-43253111	REC39-817096A6	39-817096A6	
40	9570790+			RM39-27841A12	39-2784112	135	-3293233	REC39-817096A6	39-817096A6	
40	-9973099			REC39-817096A6	39-817096A6	140	4865678-350805	REC39-817096A6	39-817096A6	
45	9248006-9466692			RM39-27841A12	39-2784112	150	-5327662	REC39-817096A6	39-817096A6	
50	9248006			RM39-27841A12	39-2784112	V135	0A904646-0D819999	636-8118 644-818141	REC39-93481A12	39-93481A12
50	-9683054			REC39-817096A6	39-817096A6	V135	0D820000+		REC39-93481A12	39-93481A12
60	-9683054			REC39-817096A6	39-817096A6	V150	0A904646-0D819999	636-8118, 644-818141	REC39-93481A12	39-93481A12
65	-9135824			REC39-817096A6	39-817096A6	XR4, MAGII	0C239553-0D081999			39-18487A12
70	-9385910			REC39-817096A6	39-817096A6	V150	0D820000+		REC39-93481A12	39-93481A12
70	9483121+	638-8532-1 646-818846			39-96170A12	V175	4301235-6618750		REC39-93481A12	39-93481A12
75	9589039-9793576	638-8532-1 646-818846			39-96170A12	V175	805887+		REC39-93481A12	39-93481A12
75 3 cyl	9793577+				39-822321A12	V175	6618751-0C239552		REC39-813011A12	39-813011A12
80	-9393855			REC39-817096A6	39-817096A6	V175	0C239553-0D081999			39-18487A12
85	-9177625			REC39-817096A6	39-817096A6	V200	4839034-6073191		REC39-813011A12	39-813011A12
90	9483121-9793576	638-8532-1 646-818846			39-96170A12	V200	8061595-8065672		REC39-813011A12	39-813011A12
90 3 cyl	9793577+				39-822321A12	V200	6073197-0C291519		REC39-813011A12	39-813011A12
100	953034-9793576	638-8532-1 646-818846			39-96170A12	V200 LASER	0B117316		REC39-813011A12	39-813011A12
105 JET	0D082000+			REC39-93481A12	39-93481A12	V225 2.4L	5628028		REC39-813011A12	39-813011A12
115	5829464-5829463			REC39-817096A6	39-817096A6					
115	9559771-9793576	638-8532-1 646-818846			39-96170A12					

CORREAS DE
DISTRIBUCION


TIMING BELT

CINGHIE
DISTRIBUZIONECOURROIES DE
DISTRIBUTION

REF	OEM			4T STROKES	2T STROKES
REC57-8M0072670	57-8M0072670	25, 30 EFI (3CYL) (OR10699+)			✓
		25JET EFI (3CYL) (OR165086+)			
REC66M-46241-00	835392 57-835392Q	9.9, 13.5, 15 HP (INT)	68		✓
REC57-8M0135591	57-8M0135591	9.9, 15, 15, 20 EFI			✓



new

REF	OEM		4T STROKES	2T STROKES
REC66M-46241-00	57-835392Q	8 HP (Bodensee) (inter.) 9.9 HP (323 cc) 13.5 HP i (inter.) 15 HP		✓
REC65W-46241-00	831294 57-8M0065179	25 - 60 HP		✓
PAF8-05000004	57-895120	8 HP (OR042475+) 9.9 HP (OR042475+)		✓



GUÍA CORREAS

PROPETS

GUIDHE

GUIDE DES COURROIES

		CYL		DISTRIBUCIÓN TIMMING BELT DISTRIBUZIONE DISTRIBUTION	ALTERNADOR ALTERNATOR ALTERNATORE ALTERNATEUR			CYL		DISTRIBUCIÓN TIMMING BELT DISTRIBUZIONE DISTRIBUTION	ALTERNADOR ALTERNATOR ALTERNATORE ALTERNATEUR
10 EFI											
15 EFI											
15EFI SEAPRO	OR832820 +	2		REC57-8M0135591							
20EFI											
25 EFI	OR106966 +	3		REC57-8M0072670							
	OP153500 -OP400999	3		REC65W-46241-00							
	OR106999 +	3		REC57-8M0072670							
30 EFI	OT409000 - 1B226999	3		REC65W-46241-00							
	1C109093 - 1C456299	3		REC65W-46241-00							
	1C456300 +	3		REC65W-46241-00							
	OP153500 -OP400999	BEL	3	REC65W-46241-00							
	OP401000 - OP515896	BEL	3	REC65W-46241-00							
	OP409000 - 1B226999	USA	3	REC65W-46241-00							
	1B227000 - 1B355027	USA	3	REC65W-46241-00							
	1C000001 - 1C043416		3	REC65W-46241-00							
	1C043417 - 1C456299		3	REC65W-46241-00							
	1C456300 +		3	REC65W-46241-00							
	OP153500 - OP400999	BEL	4	REC65W-46241-00							
	OP401000 - OP515896	BEL	4	REC65W-46241-00							
	OP515897 - OP580772	BEL	4	REC65W-46241-00							
	OT409000 - 1B355222	USA	4	REC65W-46241-00							
	1C000001 - 1C050251	USA	4	REC65W-46241-00							
	1C050252 - 1C453839	USA	4	REC65W-46241-00							
40 EFI Et SEAPRO	1C453840 +	USA	4	REC65W-46241-00							
	OP153500 - OP400999	BEL	4	REC65W-46241-00							
	OP401000 - OP515896	BEL	4	REC65W-46241-00							
	OP515897 - OP580772	BEL	4	REC65W-46241-00							
	OT409000 - 1B355222	USA	4	REC65W-46241-00							
	1C000001 - 1C050251	USA	4	REC65W-46241-00							
	1C050252 - 1C453839	USA	4	REC65W-46241-00							
	1C453840 +	USA	4	REC65W-46241-00							
	OP153500 - OP400999	BEL	4	REC65W-46241-00							
	OP401000 - OP515896	BEL	4	REC65W-46241-00							
	OP515897 - OP580772	BEL	4	REC65W-46241-00							
	OT409000 - 1B355222	USA	4	REC65W-46241-00							
	1C000001 - 1C050251	USA	4	REC65W-46241-00							
	1C050252 - 1C453839	USA	4	REC65W-46241-00							
60 EFI Et SEAPRO	1C453840 +	USA	4	REC65W-46241-00							
	1B172291 - 1B366822	USA	4	REC67F-46241-00							
	1B366823 - 2B094995	USA	4		REC57-897574Q01						
	2B095049 +		4								
	OP459572 - 2B094995	BEL	4		REC57-897574Q01						
	1B227000 - 1B366822	USA	4	REC67F-46241-00							
	1B366823 - 2B094995	USA	4		REC57-897574Q01						
	2B095049 +		4		REC57-897574Q01						
	1B172291 - 1B366822	USA	4	REC67F-46241-00							
	1B366823 - 2B094995	USA	4		REC57-897574Q01						
90 EFI Et SEAPRO	2B095049 +	USA	4								
	OP459572 - 2B094995	BEL	4		REC57-897574Q01						
	1B227000 - 1B366822	USA	4	REC67F-46241-00							
	1B366823 - 2B094995	USA	4		REC57-897574Q01						
	2B095049 +	USA	4								
	OT178500 - OT800999	USA	4	REC67F-46241-00							
	OT801000 - 1B226999	USA	4	REC67F-46241-00							
	1B227000 - 1B366822	USA	4	REC67F-46241-00							
	1B366823 - 2B094995	USA	4		REC57-897574Q01						
115 EFI Et SEAPRO (XS)	2B095049 +		4								
135	2B131942 +		4		REC57-8M0031641						
	OP419487 - OP464487	BEL	4		REC57-880566Q14						
	OP464488 - OP514868	BEL	4		REC57-880566Q14						
	OP514869 - OP593020	BEL	4		REC57-880566Q14						
	1B227000 - 1B381711	USA	4		REC57-880566Q14						
	1B381712 - 1B517158	USA	4		REC57-880566Q14						
	1B517159 - 2B576734	USA	4		REC57-880566Q14						
150	1B905505 +		4		REC57-8M0031641						
150 SEAPRO	2B139139 +		4		REC57-8M0031641						
150 Pro XS	2B550139 +		4		REC57-8M0031641						
	OP419487 - OP464487	BEL	4		REC57-880566Q14						
	OP464488 - OP514868	BEL	4		REC57-880566Q14						
	OP514869 - OP593020	BEL	4		REC57-880566Q14						
	1B227000 - 1B381711	USA	4		REC57-880566Q14						
	1B381712 - 1B517158	USA	4		REC57-880566Q14						
	1B517159 - 2B576734	USA	4		REC57-880566Q14						

SISTEMA DE ESCAPE Y ADMISIÓN EXHAUST & INTAKE SYSTEM

SISTEMA DI SCARICO E ASPIRAZIONE SYSTEME D'ÉCHAPPEMENT ET D'ADMISSION

SISTEMA DE ESCAPE

EXHAUST SYSTEM

SISTEMA SCARICO

SYSTÈME D'ÉCHAPPEMENT

4T
STROKES

JUNTAS ESCAPE

GASKETS, EXHAUST

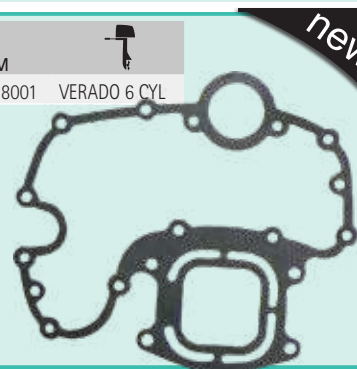
GUARNIZIONE SCARICO

JOINT D'ÉCHAPPEMENT

REF	OEM	
REC892320	27-892320	25-60 HP (Carb & EFI)



REF	OEM	
REC27-889618001	27-889618001	VERADO 6 CYL



new

REF	OEM	
REC27-895822	27-895822	VERADO 4 CYL



new

REF	OEM	
REC27-889561	27-889561	VERADO 4 & 6 CYL
REC26-880629	26-880629	



REC27-889561



REC26-880629

new

2T
STROKES

JUNTAS ESCAPE

GASKETS, EXHAUST

GUARNIZIONE SCARICO

JOINT D'ÉCHAPPEMENT

REF	OEM	
REC6G1-41133-A0	27-11568M	6C/D 8C



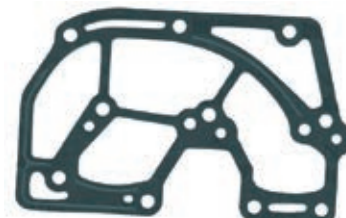
REF	OEM	
REC414991	27-414991	15 Sea Pro 18, 18XD 20, 20XD 25 XD, Sea Pro (1977-06)





REF	OEM	
REC682-41133-A0	27-83955M	9.9C 15C/K W15




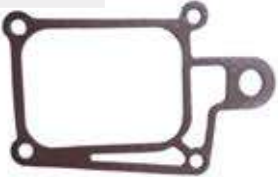
REF	OEM	
REC414758	27-41475-8	15 Sea Pro / Marathon 18, 20 XD 25, Marathon. Sea Pro, Xd, Xs Super 15 (1977-04)





REF	OEM	
REC27-433374	27-43337-4	15 Sea Pro / Marathon 18 HP 20 (2 cyl) Jet 25 Sea Pro / Marathon





REF	OEM	
REC676-41133-A0	27-83383M	40, A, B, C (Twin Carb) K40, W40




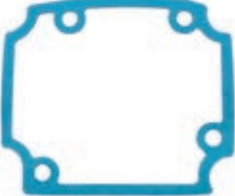
REF	OEM	
REC327674	27-327674	20, 25, 25C, 30, 35 HP



REF	OEM	
REC676-45128-00	83386M	40, A, B, C (Twin Carb)





REF	OEM	
REC664-41134-A0	27-826991M	25K





REF	OEM	
REC676-45127-00	83384M	40, A, B, C (Twin Carb) K40, W40




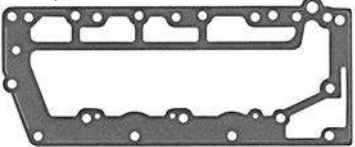
REF	OEM	
REC27-385011	27-38501-1	30 Jet 35 40, 45 (4cyl) 50, 60 (3cyl) (1970-97)





REF	OEM	
REC688-45123-00	27-81440M	48 / W-48 55 60 (2 cyl)





REF	OEM	
REC27-854924	27-85492-2	30 Jet 40-45 Hp (2 cyl) (1980-97)




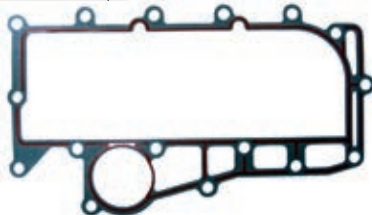
REF	OEM	
REC663-45123-00	27-81440M	48, 55 W-48, W-55 60 (2 cyl)




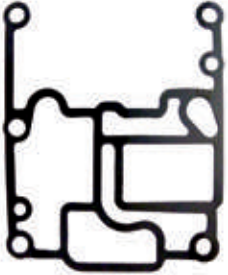
REF	OEM	
REC27-66847	27-66847	35-40 HP (2 cyl) (1972-89)





REF	OEM	
REC27-695242	27-69524-2	50-60 HP (3 cyl)




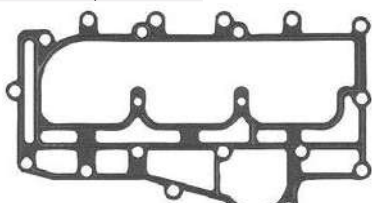
REF	OEM	
REC826738	27-826738	40 - 50HP (1995-97)




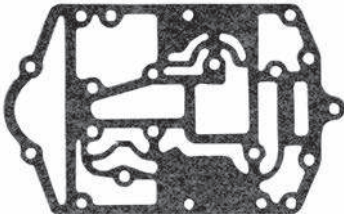
REF	OEM	
REC27-703351	27-70335-1	50-70 HP(3cyl) (1973-90)





REF	OEM	
REC27-695252	27-69525-2	50-70 HP(3 cyl) (1973-90)




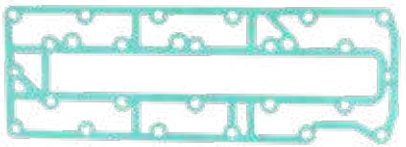
REF	OEM	
REC27-430086	27-43008	65, 80 Jet 75, 90 (3 cyl) 100, 115, 125 (4 cyl) 75, 90, 115 DFI (3cyl) 1.5L (1987-10)




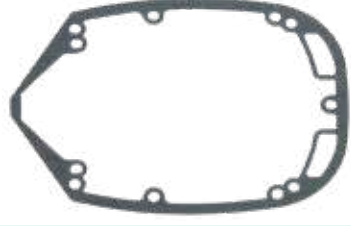
REF	OEM	
REC27-856730	27-85653-1	90-115 HP (6 cyl) (1973-88)





REF	OEM	
REC27-43004009	27-43004-1	65-90 HP (3 cyl) (1987-10)




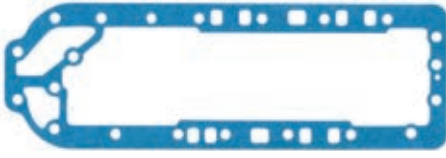
REF	OEM	
REC27-991734	27-99173-2	115-200 HP (V-Models) XR-4, XR-6 105-140 Jet 150-175 Prox5 (1976-10)





REF	OEM	
REC27-8127755	27-812775-5	80 Jet 100-125 (4 cyl) (1994-98)

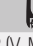


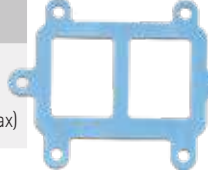
REF	OEM	
REC27-904841	27-90484-1	135-225 (V-Models) XR-4 (1976-90)





REF	OEM	
REC27-139581	27-13958-1	80 Jet 100-125 HP (4 cyl) (1988-06)




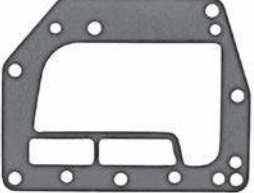
REF	OEM	
REC27-782461	27-78246	135-225 HP (V-Models) XR-4 / XR-6 105-140 HP Jet 150-225 HP (Pro Xs, Pro max) (1978-10)




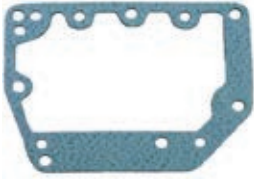
REF	OEM	
REC27-812775A01	27-812775-4	80 Jet 100-125 (4 cyl) (1994-98)





REF	OEM	
REC27-78409	27-78409	200, 20 (1978-80)




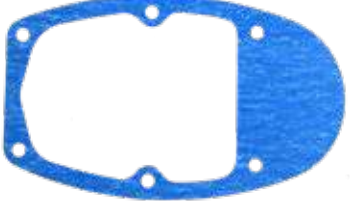
REF	OEM	
REC27-78411	27-78411	200/20 HP (1978-80)




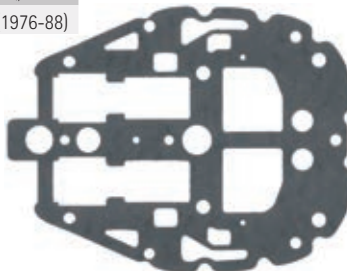
REF	OEM	
REC27-692381	27-69238-1	90-115 HP (6 cyl) (1980-88)





REF	OEM	
REC27-39402	27-39402	200-20 HP (1970-80)



REF	OEM	
REC27-75786	27-75786	V-175 (1976-88)




REF	OEM	
REC27-48801	27-48801	1150, 1250, 1350 80, 650, 800 (4cyl) (1970-72)

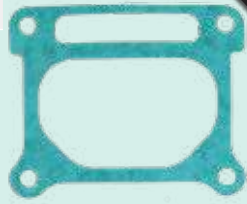


4T
STROKES


JUNTAS COLECTOR ESCAPE **GASKETS, MANIFOLD**


GUARNIZIONE COLLETORE SCARICO **JOINT COLLECTEUR ECHAPPEMENT**

REF	OEM	
REC69J-41134-A0	27-888658	225 EFI V6 (0T653945+)



new

REF	OEM	
REC69J-41138-00	26-888660	225 EFI V6 (0T653945+)




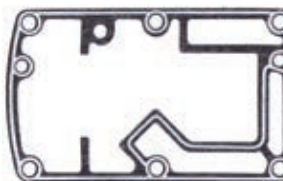
new

2T
STROKES

JUNTAS COLECTOR ESCAPE **GASKETS, MANIFOLD**

GUARNIZIONE COLLETORE SCARICO **JOINT COLLECTEUR ECHAPPEMENT**

REF	OEM	
REC646-14623-A1	27-43004-1	2B, A




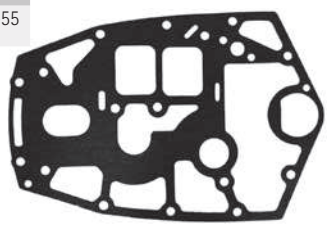
REF	OEM	
REC682-45113-A0	27-96618	9.9C, 15C 15K W15



REF	OEM	
REC676-45114-A1	27-19175	K 40HP W40 40/40C Twin Carb




REF	OEM	
REC697-45114-00	7-98952M	55, W-55 W-40

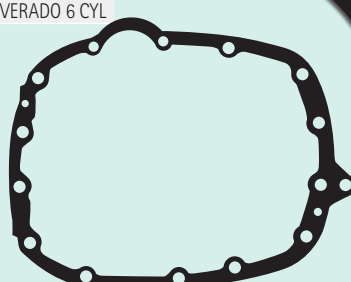


4T
STROKES

JUNTAS CARTER **GASKETS, OIL PAN**

GUARNIZIONE CARTER **JOINT DE CARTER D'HUILE**

REF	OEM	
REC27-889617001	889617001	VERADO 6 CYL



new

SISTEMA DE ADMISIÓN INTAKE SYSTEM

SISTEMA ASPIRAZIONE SYSTEME D'ADMISSION



4T
STROKES



JUNTAS ADMISIÓN

GASKETS, INTAKE



ASPIRAZIONE



JOINT D'ADMISSION



REF	OEM		
PAGB/T3452.1-35.5x1.	25-825057003	2.5 / 3.5 HP 8 HP (209cc) 9.9 HP (209cc)	



REF	OEM		
PAGB3452.1-82	25-8250572	8-60 HP	



REF	OEM		
PAF15-07000017	27-835383001	8 & 9.9 HP (209cc)	

REF	OEM		
PAF15-07000007	25-853525	8 HP Bodensee 9.9 HP (323cc) 13.5 HP (Int.) 15 HP	

REF	OEM		
PAF8-05000009	27-853525001	8 & 9.9 HP (209cc)	

REF	OEM		
PAF25-05060002	855219	25 HP	

REF	OEM		
PAF25-05080004	855837	25 HP	

REF	OEM		
PAF25-05060003	878431	25 HP	



2T
STROKES



JUNTAS ADMISIÓN



GASKETS, INTAKE

ASPIRAZIONE



JOINT D'ADMISSION


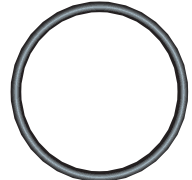
REF	OEM		
REC27-31402	27-31402	10-95 HP (1970-75)	


REF	OEM		
REC1399-99	1399-99	10-95 HP	


REF	OEM		
REC414172	27-41417-2	15-25 HP (1977-06)	


REF	OEM		
REC414181	27-41418-1	15-25 HP (1977-06)	


REF	OEM		
REC27-757911	27-75791	20-80 HP (1976-97)	


REF	OEM		
PAF25-05000011	25-33466	25-220 HP	

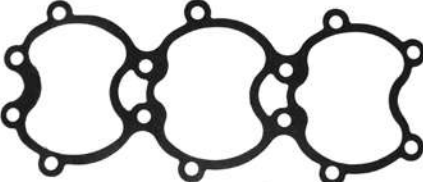
REF	OEM	
REC27-279361	27-27936-1	30 Jet 40, 45 (4 cyl) (1970-97)





REF	OEM	
REC27-987691	27-98769-1	30-250 HP (1976-10)




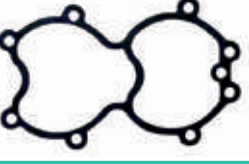
REF	OEM	
REC27-812868	27-812868	30, 40, 45 Jet 40, 50, 55, 60 (3 cyl)





REF	OEM	
REC27-812869	27-812869	30-60 HP (1991-10)




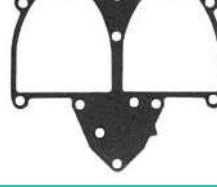
REF	OEM	
REC27-821370	27-812370	30-40 HP (2 cyl)





REF	OEM	
REC27-481641	27-48164-1	35 - 150HP (1970-89)





REF	OEM	
REC27-552791	27-55279-1	35 - 40HP (1970-89)




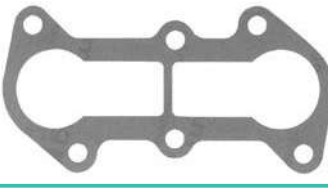
REF	OEM	
REC27-733771	27-733771	50-60 Hp (3 cyl)





REF	OEM	
REC27-151724	27-15172-3	65, 80 Jet 75, 90 (3 cyl) 100, 115, 125 (4 cyl) (1988-98)




REF	OEM	
REC27-134612	27-134612	65/85 Jet 75-90 HP (3 cyl) 100-125 HP (4 cyl) (1988-10)





REF	OEM	
REC27-139376	27-13937-6	65-125 HP (1988-10)





REF	OEM	
REC27-76952	27-76952	70-85 HP (1976-86)




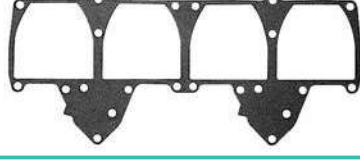
REF	OEM	
REC819113	27-819113	70-75 HP (1991-98)





REF	OEM	
REC819114	27-819114	70-75 HP (1991-98)

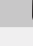



REF	OEM	
REC27-62107	27-62107	80-85 HP (1970-75)



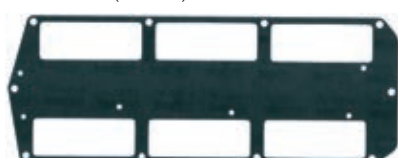
REF	OEM	
REC27-892211	27-89221-1	100-225 HP (1978-05)




REF	OEM	
REC27-677511	27-67751-1	V6 100-225 HP (1976-98)



REF	OEM	
REC27-935361	27-93536-1	V6 135-200 HP (1976-90)




REF	OEM	
REC847525	27-847525-1	150-300 HP (1990-05)




REF	OEM	
REC27-78690002	27-78690	V6 110-200 HP (2000-10)




REF	OEM	
REC27-657443	27-65744-2	175-250 HP (1976-94)




REF	OEM	
REC27-883775	27-813859	135-240 HP (1990-00)




REF	OEM	
REC27-8141951	27-814195-1	200-250 HP (1994-02)




REF	OEM	
REC27-904301	27-90430-1	135-200 HP (1976-90)




REF	OEM	
REC27-877361	27-87736-1	V-200



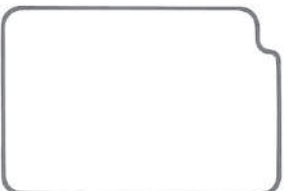
REF	OEM	
REC856542	27-856542-1	135-225 HP (1998-99) V 135-150 HP 200-225 (DFI)




REF	OEM	
REC27-967611	27-96761-1	V-200 (1978-90)




REF	OEM	
REC27-672751	27-67275-1	135-200 HP V-Models (1976-90)




REF	OEM	
REC27-850283	27-850283	200-225 DFI (1998-99)



REF	OEM	
REC27-76636	27-76636	V6 150-200 HP (1976-88)



REF	OEM	
REC27-993163	27-993163	280-300 HP Racing (1991-05)



UNIDADES DE TRANSMISIÓN UNIT DRIVES & COMPONENTS

UNITÀ DI TRASMISSIONE EMBASES ET PIECES

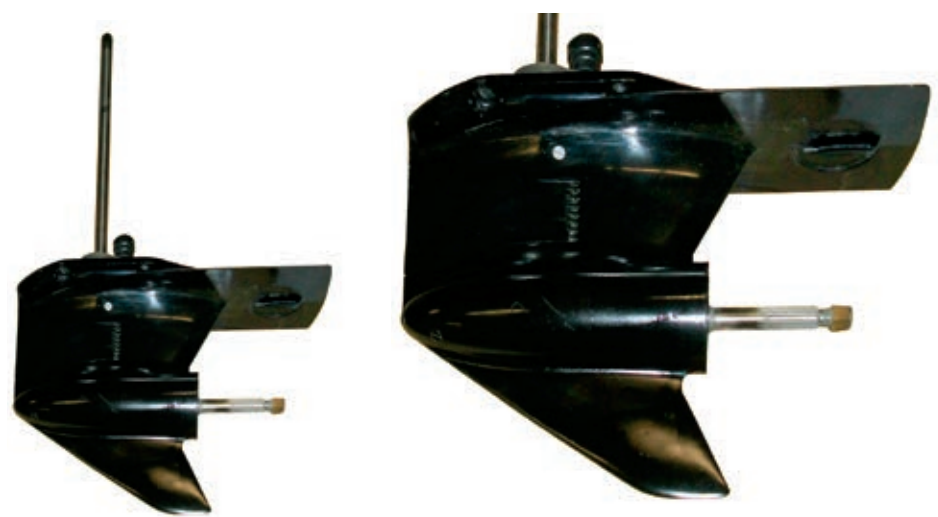
COLA COMPLETA COMPLETE GEARCASE ASSY PIEDI COMPLETI EMBASE COMPLETE

COLAS COMPLETAS COMPLETE GEARCASE ASSEMBLY PIEDI COMPLETI EMBASES COMPLÈTES

REF	OEM				REDUCCIÓN GEAR RATIO RIDUZIONE REDUCTION		4T STROKES	2T STROKES
REC1647-9148T84	1647-9148T84	20"	RH	15	1.87:1			
REC1647-9148T85	1647-9148T85	25"	RH	15	1.87:1	2.0 / 2.4 / 2.5 L V6 V115 - V-200 (DFI)		✓
REC1647-9148T81	1647-9148T81	20"	RH	14	2:1	XR-6		
REC1647-9148T82	1647-9148T82	25"	RH	14	2:1	110, 140 JET (2.5L)		






REF	OEM				REDUCCIÓN GEAR RATIO RIDUZIONE REDUCTION		4T STROKES	2T STROKES
REC1623-859399T13	1623-859399T13	20"	RH	12	1.75:1	13	3.0L	
REC1623-859399T14	1623-859399T14	25"	RH	12	1.75:1	13	200 - 250 HP	
REC1623-822442A19	1623-822442A19	20"	RH		1.64:1	8	3.0 (EFI, DFI)	✓
REC1623-822442A20	1623-822442A20	25"	RH		1.64:1	8	OPTIMAX (1B504988-)	






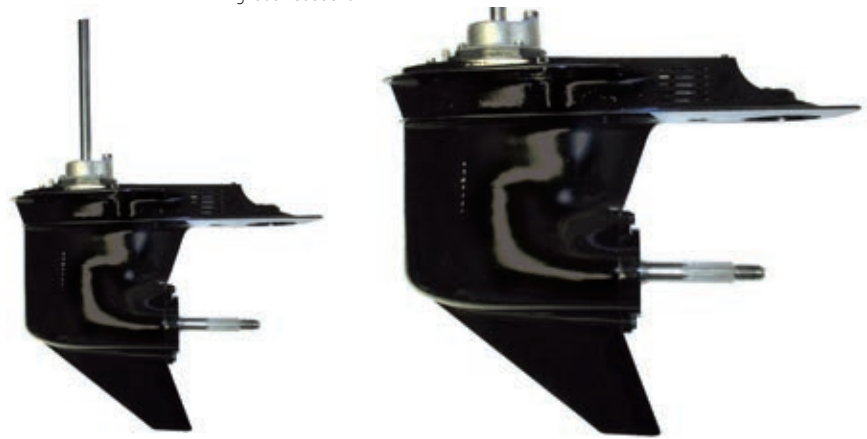
MERCURY




RECAMBIOS
MARINOS

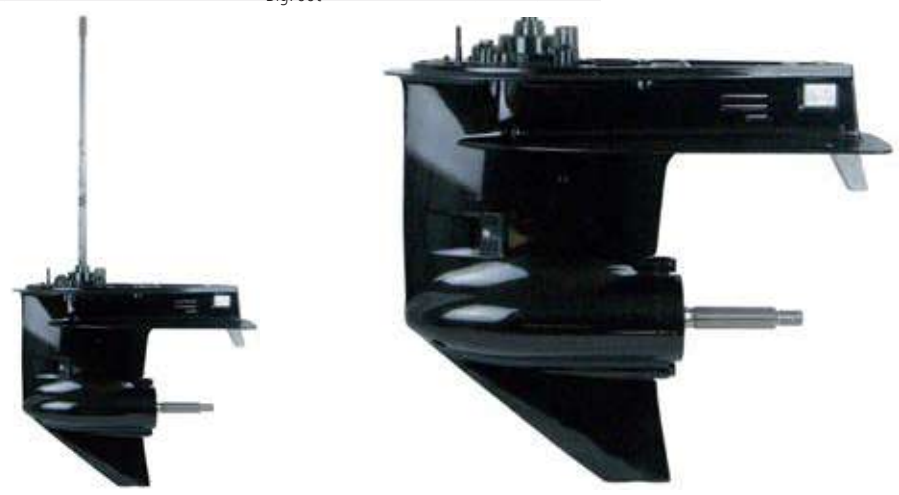
REF	OEM		REDUCCIÓN GEAR RATIO RIDUZIONE REDUCTION			4T STROKES	2T STROKES
REC1667-9011R6	1667-901167, 78	20"	14	2.07:1	6		✓
	1667-901110, 11						
	1667-9011G51						
	1667-9011J6						
	1667-9011R6					✓	



REF	OEM		REDUCCIÓN GEAR RATIO RIDUZIONE REDUCTION			4T STROKES	2T STROKES
REC1667-9011G90	1667-9011G90	20"	12	2.33:1	4.25" 107.95 mm		✓
	1667-9011G70						
	40 HP (4 cyl) OP094500 - OP206999						
	40 EFI (4 cyl) OP153500 - OP515896						
	50 HP (4 cyl) OP094500 - OP206999						
	50 EFI (4 cyl) OP153500 - OP515896						
	60 HP (4 cyl) OP094500 - OP206999						
	60 EFI (4 cyl) OP153500 - OP515896						
	BigFoot 1C033810-						



REF	OEM		REDUCCIÓN GEAR RATIO RIDUZIONE REDUCTION			4T STROKES	2T STROKES
REC1667-9011J41	1667-9011J41	25"	2.33:1	4.25" 107.95 mm		✓	
	40 EFI (4 cyl) OP216185+						
	50 EFI (4 cyl) OP216185+						
	60 EFI (4 cyl) OP216185+						
	BigFoot						



REF	OEM		REDUCCIÓN GEAR RATIO RIDUZIONE REDUCTION	4T 2T STROKESSTROKES
REC421-B25F	1623-888680T06	25° V6 76°	RH 2.0:1	✓
REC421-B30F	1623-888680T07	30° V6 76°	RH 2.0:1	225 EFI ✓ (0T653945+)
REC428-B25F	1623-888680T08	25° V6 90°	CCW 2.0:1	✓
REC428-B30F	1623-888680T09	30° V6	CCW 2.0:1	✓

HERRAMIENTAS TOOLS ATTREZZI OUTILS

EXTRACTOR COJINETES Y HELICES	PROP AND BEARING PULLER	ESTRATTORE CUSCINETTI E ELICHE	EXTRACTEUR DE ROUEMENTS D'HELICE
<p>Extractor de cojinetes y hélices, con patas. Para todos los cojinetes Mercruiser y la mayoría de las hélices.</p> <p>REF REC90095</p>	<p>Prop and bearing carrier puller. Capacity: 5 Tons (Min). For Mercruiser All Style Bearing Carrier and Most Props.</p> <p>Para hélices y cojinetes antiguos For prop and old style bearing carrier. Per eliche e cuscinetti vecchi. Pour hélices et roulements anciens</p>	<p>Estrattore cuscinetti e eliche. Per tutti i cuscinetti Mercruiser e la maggior parte delle eliche.</p> <p>Para cojinetes modernos For new style bearing carrier. Per cuscinetti moderni. Pour roulements récents.</p>	<p>Extracteur de roulement et d'hélice. Pour tous les roulements Mercruiser et la plupart des hélices.</p>

EXTRACTOR COJINETES BEARING PULLER ESTRATTORE CUSCINETTI EXTRACTEUR DE ROUEMENTS

REF	OEM		REF	OEM	
REC91-34569A1	91-34569A1		REC91-36569T	91-36569T	

RECmar logo

RECmar logo

MC-I
R-MR
Alpha One

Para utilizar con las herramientas REC91-43579 y REC91-36569T para instalar y desmontar el cojinete

Used with REC91-43579 & REC91-36569T tools to install & remove pinion bearing.

Da utilizzare con gli strumenti REC91-43579 e REC91-36569T per installare e smontare il cuscinetto.

A utiliser avec les outils REC91-43579 et REC91-36569T pour installer et retirer le roulement

REF	OEM
REC91-31229	91-31229

EXTRACTOR PIÑONES Y COJINETES

UNIVERSAL PULLER PLATE

ESTRATTORE PIGNONE E CUSCINETTI

EXTRACTEUR PIGNONS ET ROUEMENTS

REF	PIÑONES BEARINGS PIGNONE PIGNONS
REC91-00001	30-50 mm / 1 ^{1/4} " - 2 ^{1/4} "
REC91-00002	50-75 mm / 2 ^{1/4} " - 3 ^{1/2} "
REC91-37241	75-105 mm / 3" - 4 ^{1/2} "



KIT HERRAMIENTAS PARA COLAS

GEAR CASE TOOL KIT

KIT ATTREZZI PIEDI

KIT OUTILS POUR EMBASES

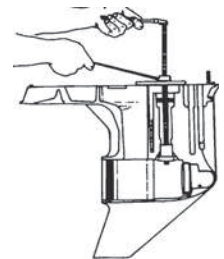
Kit de montaje y desmontaje de los retenes y cojinetes de las colas Alpha, Alpha Gene II y Bravo.

Removes and installs bearings in MC-I, R-MR, Alpha One, Alpha One Gen Two and Bravo.

Kit di montaggio e smontaggio delle guarnizioni di tenuta e dei cuscinetti del piede.

Kit de montage et démontage des joints spi et roulements des embases ALPHA ONE GEN I et II et BRAVO

REF	OEM
RM91-31229A7	91-31229A7



KIT LLAVE HÉLICE

PROP WRENCH KIT

KIT CHIAVE ELICHA

CLE POUR ECROU D'HELICE

REF	R.O. OEM		
REC91-859046Q4	91-821887T1	1 1/16"	75 - 300 HP



new

REF	R.O. OEM		
REC91-859046Q3	91-859046Q3	15/16"	30, 40, 50 Et 60 HP



LLAVE CABLE CAMBIO

SHIFT CABLE TOOL

CHIAVE PER CAVO CAMBIO

CLE POUR CÂBLE

Para montaje y desmontaje de los cables de cambio en las colas MC-I, R-MR, Alpha One, Gene II.

Installs and removes drive shaft bearing retainer on MC-1, R-MR, Blackhawk, all Bravo, and all Alpha drive units.

Per il montaggio e lo smontaggio dei cavi di innesto nel piede MC-I, R-MR, Alpha One, Gen II.

Pour le montage et le démontage des câbles d'engrenage sur les embases MC-I, R-MR, Alpha One, Gene II.

REF	R.O. OEM
REC91-12037	91-12037



LLAVE TUERCA VARILLA CAMBIO

SHIFT SHAFT BUSHING TOOL

CHIAVE DADO LEVA CAMBIO

CLE POUR ARBRE DE SELECTION

Para montaje y desmontaje de las tuercas de la varilla cambio en las colas MC-I, R-MR, Alpha One.

Removes and installs the shift shaft bushing in the gear case of MC-I, R-MR, and Alpha One, drive units.

Per il montaggio e lo smontaggio dei dadi sull'asta cambiare nel piede MC-1, R-MR, Alpha One.

Pour le montage et le démontage des écrous de tige de sélection sur les embases MC-I, R-MR, Alpha One

REF	R.O. OEM
REC91-31107T	91-31107T



LLAVE TUERCA EJE VERTICAL

Para montaje y desmontaje del retenedor de cojinete superior en colas.

PINION NUT ADAPTOR KIT

Removes and installs threaded bearing retainer on stern drives.

CHIAVE DADO ASSE VERTICALE

Per il montaggio e lo smontaggio del fermo di ritengo e del cuscinetto superiore dei piedi.

CLE POUR ARBRE VERTICAL

Pour le montage et le démontage de la retenue et du palier supérieur dans les embases

REF	R.O. OEM
REC91-43506T	91-43506T



Incluye un adaptador eje. Sostiene la tuerca del piñón cuando se está sacando el piñón y el eje en las colas MC-I, R-MR, Alpha One.

Holds pinion nut when removing pinion gear and drive shaft on MC-I, R-MR, and Alpha One drive units. Comes with drive shaft adaptor.

Incluye un adattatore albero. Tenendo il dado del pignone quando si rimuove la ruota dentata e l'albero nel piede.

Inclus un adaptateur d'arbre. Maintient l'écrou de pignon lors de la dépose du pignon et de l'axe sur les embases MC-I, R-MR, Alpha One.

REF	R.O. OEM
REC91-61067A04	91-61067A04



LLAVE ESTRIDADO EJE

Da una superficie de llave para girar el eje de la hélice en las colas MC-I, R-MR, TRS, Alpha One y Gene II.

PROP SHAFT ADAPTOR

Provides a wrench surface to turn the propeller shaft on MC-I; R-MR; Alpha One; Alpha One, Gen Two; and TRS drive units.

CHIAVE ASSE STRIATO

Fornisce una superficie di chiave per ruotare l'asse del propulsore nel piede MCI, R-MR, TRS, Alpha One e Gen II.

CLE POUR ARBRE D'HELICE

Fournit une surface de clé pour faire tourner l'arbre d'hélice sur les embases MC-I, R-MR, TRS, Alpha One et Gene II.

REF	R.O. OEM
REC91-56775T	91-56775T
REC91-61077T	91-61077T



REC91-61077T



REC91-56775T

LLAVE TUERCA DIÁBOLO

Instala y desinstala las tuercas del diábolo en las colas MC-I, R-MR, TRS, Alpha One y Gene II y Bravo I y II

BEARING CARRIER RETAINER WRENCH

Removes and installs bearing carrier retainer nuts on Bravo One and Two; MC-I; R-MR; and Alpha One, Gen. Two; and TRS drive units.

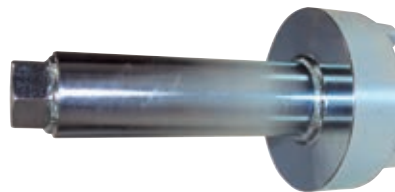
CHIAVE PER CUSCINETTO

Installa e Disinstalla i dadi di fissaggio dell'asse nel piede MC-I, R-MR, TRS, Alpha One, Gen II, Bravo I, III.

CLE POUR ECROU DE DIABOLO

Installez et désinstallez les écrous diabolos sur les embases MC-I, R-MR, TRS, Alpha One et Gene II et Bravo I et II

REF	R.O. OEM
REC91-61069T	91-61069T



LLAVE GALGADO PIÑONES

Mide la altura del piñón en las colas MC-I, R-MR, Alpha One y Gene II

PINION GEAR SHIMMING TOOL

Measures pinion height of MC-I; R-MR; Alpha One; and Alpha One, Gen Two drive units.

CHIAVE PER PIGNONI

Misurare l'altezza del pignone nel piede MC-I, R-MR, Alpha One e Gen II.

CLE POUR PIGNONS

Mesure la hauteur du pignon sur les queues MC-I, R-MR, Alpha One et Gene II

REF	R.O. OEM
REC91-56048001	91-56048001
REC91-60523	91-60523
REC91-60526T	91-60526T



REC91-56048001



REC91-60526T



REC91-60523

VACUÓMETRO DOBLE FUNCIÓN

Presión y vacío. Ideal para comprobar las colas.

PRESSURE / VACUUM TESTER

Combination unit that does pressure and vacuum testing in one units. Recommended to test drives.

VACUOMETRO DOPPIA FUNZIONE

Pressione e sottovuoto. Ideale per il controllo dei piedi.

VACUOMETRE DOUBLE FONCTION

Unité combinée qui effectue des tests de pression et de vide. Recommandé pour tester les embases.

REF
REC55134
RECMAR



PISTOLA DE ACEITE

Pistola para acoplar en los envases de botella de 1 L LUB11552 y LUB11564. Se suministra con kit de adaptación con válvula anti-retorno.

BOTTLE GREASE PUMP

Lower unit quart pump. Complete with metal threaded filler fitting.

PISTOLA OLIO

Pistola da accoppiare a bottiglie da 1 L LUB11552 e LUB11564. Si vende con kit di accoppiamento con valvola anti-ritorno.

PISTOLET POUR HUILE D'EMBASE

Pistolet pour les bidons d'huile de 1 L LUB11552 et LUB11564. Vendu avec kit de couplage avec clapet anti-retour.

REF OEM
REC55005 91-8M0072133
RECMAR



HERRAMIENTAS VOLANTE MOTOR

FLYWHEEL PULLER

ESTRATTORE VOLANO

EXTRACTEUR DE VOLANT

REF	R.O. OEM	2T STROKES	4T STROKES
REC90890-06820	90890-06820 91-83164M	40, 45, 50, 60HP (4 CYL) 75, 90, 115 (-1B366822)	✓

REF	R.O. OEM	2T STROKES	4T STROKES
REC91-895343T02	91-895343T02 91-895343T01	75-115HP (1B366823+) VERADO 135 - 300HP 150EFI	✓

new



	R.O. OEM				
1	91-904551	Adaptador universal de elevación para motores	Universal lift adapter for motors	Adattatore di sollevamento universale per motori	Adaptateur de levage universel pour moteurs 1.5"
2	91-849154T1	Extractor de volante	Flywheel puller	Estrattore volano	Extracteur de volant
3		Se adapta directamente en volantes Yamaha y Mercury que no contienen anillos de elevación integrados. (Se suministra con tornillos)	Fits directly on Yamaha and Mercury flywheels that do not contain integrated lift rings. (Supplied with screws)	Si adatta direttamente ai volani Yamaha e Mercury che non contengono anelli di sollevamento integrati. (Fornito con viti)	S'adapte directement sur les volants d'inertie Yamaha et Mercury qui ne contiennent pas d'anneaux de levage intégrés. (Fourni avec des vis)
4					

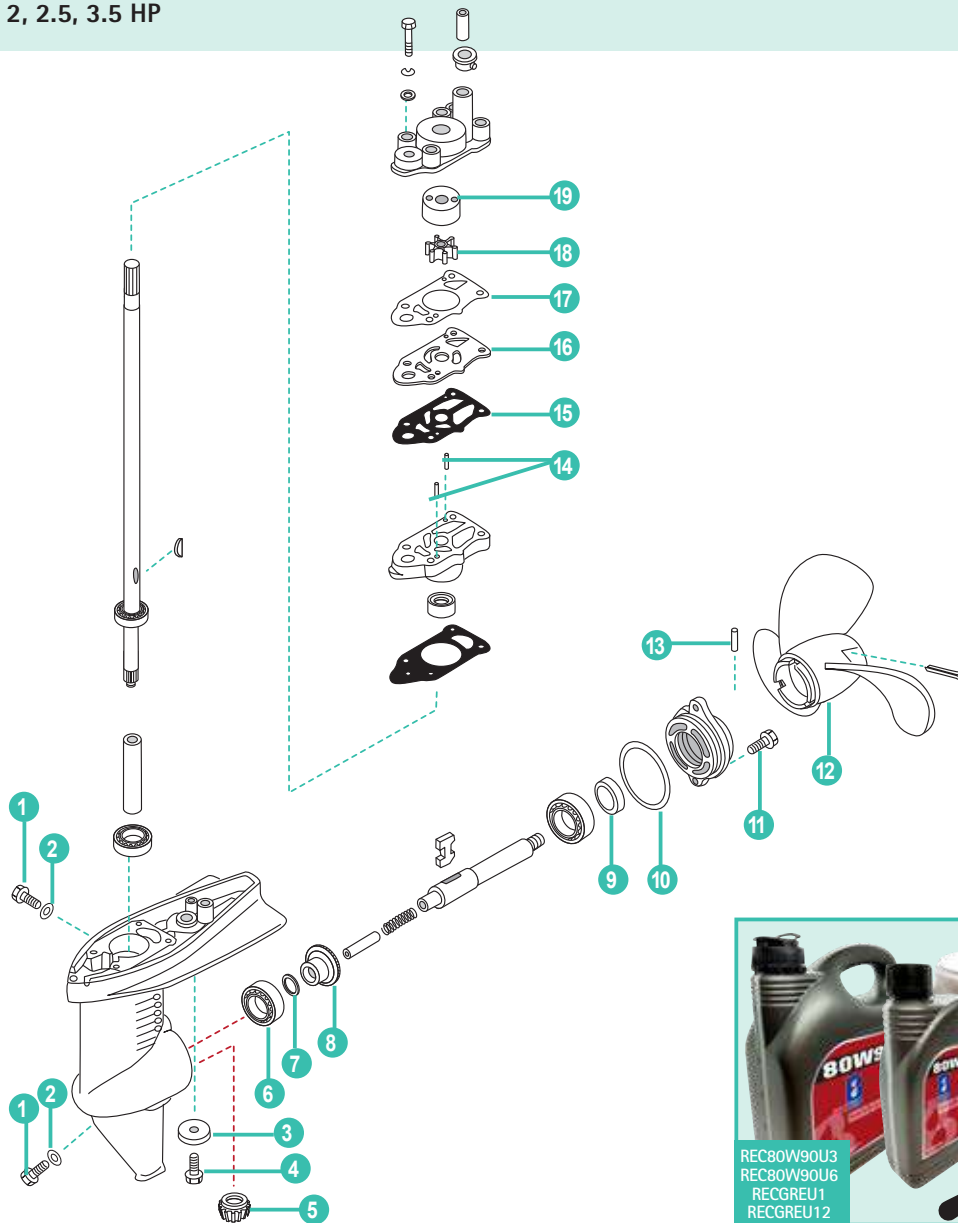
DESPIECE COLAS
4 TIEMPOS

GEAR CASE PARTS
4 STROKES

PARTI PIEDI
DE 4 TEMPI

PIECES D'EMBASES DE 4
TEMPS

4T 2T 2, 2.5, 3.5 HP
STROKES STROKES

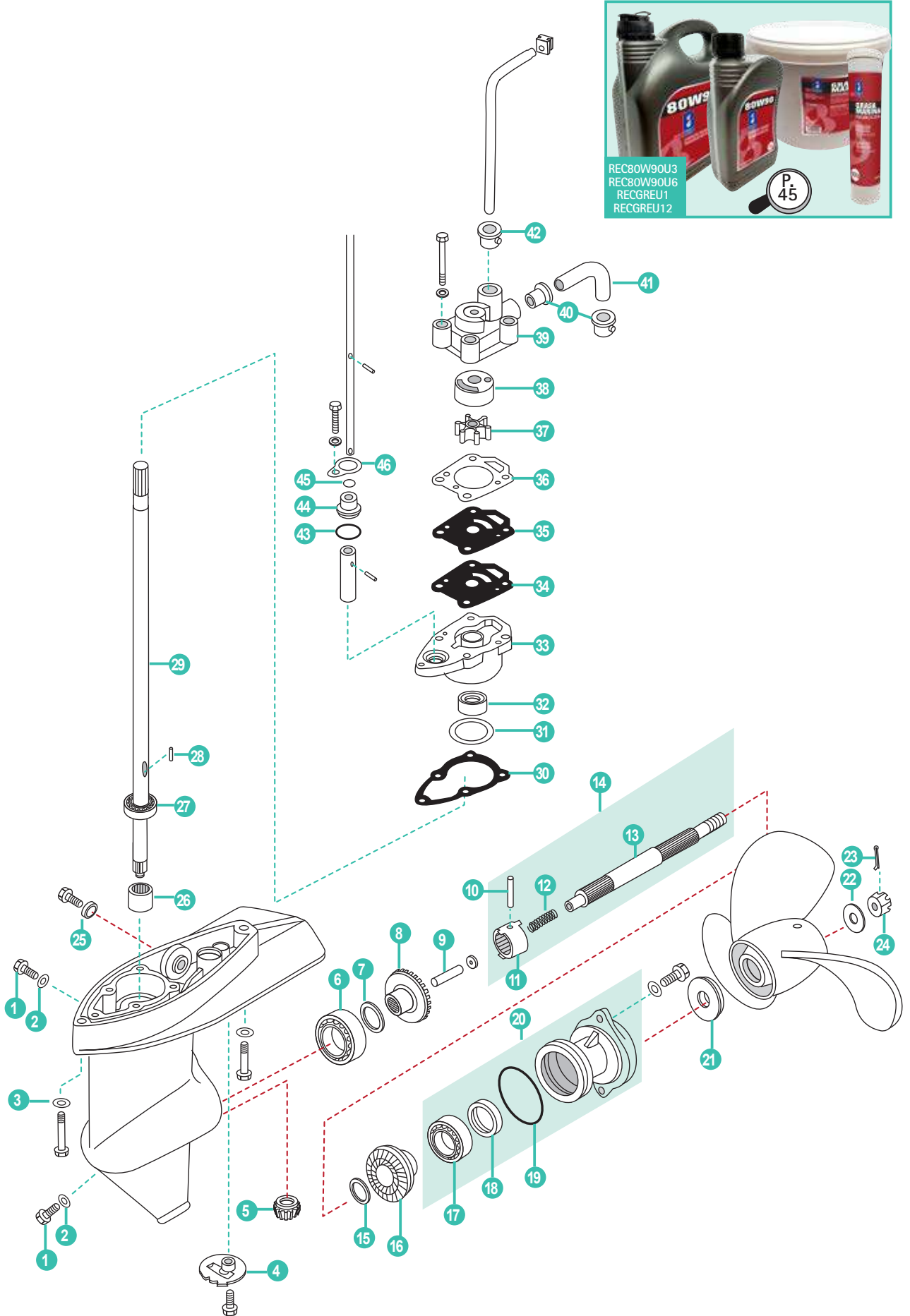


	REF	OEM				
1	REC90340-08002	953683	TAPÓN ACEITE	PLUG STRAIGHT SCREW	TAPPO OLIO	BOUCHON DE VIDANGE
2	REC90430-08020	95220	JUNTA	GASKET	GUARNIZIONE	JOINT
3	TEN00824	823913Q	ÁNODO	ANODO	ANODO	ANODE
4	PAGB/T5783-M6X16	16832	TORNILLO M6X16	BOLT M6X16	VITE M6X16	VIS M6X16
5	REC43-16138	16138	PIÑÓN ATAQUE	INITIATIVE GEAR	MARCIA INIZIATIVA	PIGNON D'ATTAQUE
6	PAGB/T276-6004	16128	COJINETE	BEARING	CUSCINETTO	ROULEMENT
7	PAF8-04000012-1	16141	GRUESO (0.1 mm)	SHIM (0.1 mm)	SPESSORE (0.1 mm)	CALE (0.1 mm)
	PAF8-04000012-2	813277	GRUESO (0.15 mm)	SHIM (0.15 mm)	SPESSORE (0.15 mm)	CALE (0.15 mm)
8	REC43-812944	812944	PIÑÓN MARCHA AVANTE	POSITIVE GEAR	PIGNONE MARCIA AVANTE	PIGNON DE MARCHÉ AVANT
9	PAF8-04000101	95348	RETÉN	SEAL OIL	PARAOILIO	JOINT SPI
10	PAF8-04040002	16131	TÓRICA	O-RING	O-RING	TORIQUE
11	PAGB/T5787-M6X20	167051	TORNILLO M6X20	BOLT M6X20	VITE M6X20	VIS M6X20
12	SOL0001-073-06P	815083A01	HÉLICE 3X7.4X6	PROPELLER 3X7.4X6	ELICA 3X7.4X6	HÉLICE 3X7.4X6
13	REC17-81511Q02	815111	PIN	PIN	SPINOTTO	PIN
14	PAF8-04000021	9521811	PIN	PIN	SPINOTTO	PIN
15	REC3F0-65029-0	898101332	JUNTA	GASKET	GUARNIZIONE	JOINT
16	REC898101371	898101371	PLACA BOMBA AGUA	PLATE WATER PUMP	PIASTRA POMPA	PLAQUE DE POMPE À EAU
17	REC27-898101331	898101331	JUNTA BOMBA AGUA	GASKET WATER PUMP	GUARNIZIONE POMPA ACQUA	JOINT DE POMPE À EAU
18	REC47-161543	161543	IMPULSOR	IMPELLER	GIRANTE	TURBINE
19	REC161571	161571	CASQUILLO	BUSH	GHIERA	BAGUE

4T 2T 4, 5, 6 HP
STROKES STROKES

MERCURY MARINER

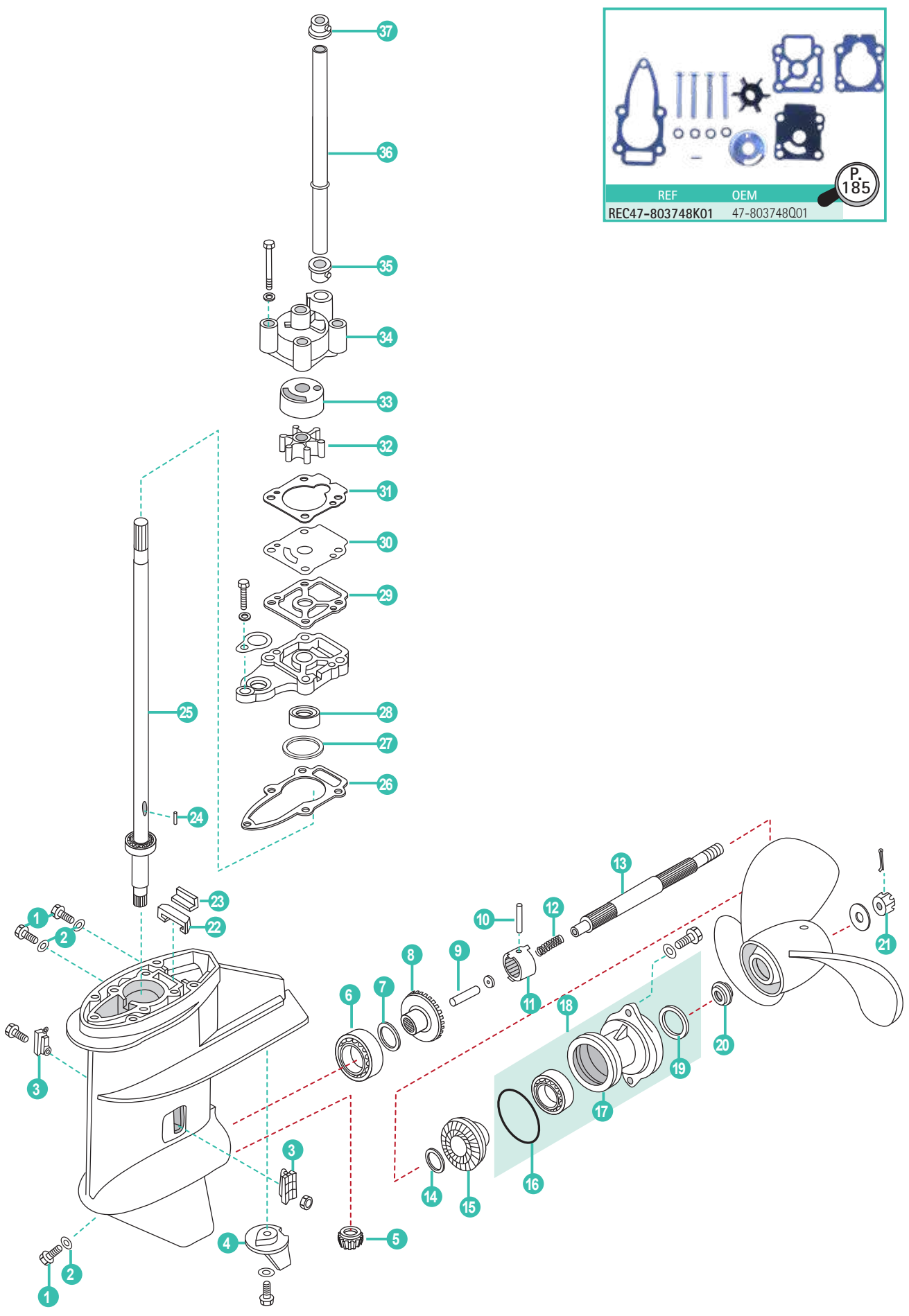
RECAMBIOS
MARINOS



	REF	OEM				
1	REC90340-08002	22-95368 3	TAPÓN ACEITE	PLUG STRAIGHT SCREW	TAPPO OLIO	BOUCHON DE VIDANGE
2	REC90430-08020	27-95220	JUNTA	GASKET	GUARNIZIONE	JOINT
3	PAGB/T97.1-6	12-16826	ARANDELA	WASHER	RONDELLA	RONDELLE
4	PAT5-03000016	16133	ÁNODO	ANODO	ANODO	ANODE
5	REC43-16138	43-16138	PIÑÓN ATAQUE	INITIATIVE GEAR	MARCIA INIZIATIVA	PIGNON D'ATTAQUE
6	PAGB/T276-6004	30-1628	RODAMIENTO	BEARING	CUSCINETTO	ROULEMENT
7	PAF8-04000002-1	15-16141	GRUESO (0.1 mm)	SHIM (0.1 mm)	SPESSORE (0.1 mm)	CALE (0.1 mm)
	PAF8-04000002-2	15-813277	GRUESO (0.15 mm)	SHIM (0.15 mm)	SPESSORE (0.15 mm)	CALE (0.15 mm)
8	REC43-812944	812944	PIÑÓN MARCHA AVANTE	POSITIVE GEAR	PIGNONE MARCIA AVANTE	PIGNON DE MARCHÉ AVANT
9	PAT5-03000404	16152	ÉMBOLO DE CAMBIO	PLUNGER SHIFT	CAMBIO PISTONE	PISTON
10	PAGB/T879.1-3.5X28	17-16150	PIN	PIN	SPINOTTO	PIN
11	PAT5-03000403	52-812946	SELECTOR	CLUTCH, DOG	SELETTORE	CRABOT
12	PAT5-03000402	24-17667	MUELLE	SPRING	MOLLA	RESSORT
13	REC44-195133	19513 3	EJE HÉLICE	SHAFT PROPELLER	ASSE ELICA	ARBRE D'HÉLICE
14	PAT5-03000400	44-195133	KIT EJE DE HÉLICE	SHAFT PROPELLER, KIT	KIT ASSE ELICA	KIT ARBRE D'HÉLICE
15	PAT5-03000015	12-16140	ARANDELA	WASHER	RONDELLA	RONDELLE
16	REC43-8129451	812945 1	PIÑÓN MARCHA ATRÁS	REVERSER GEAR	PIGNONE MARCIA INDIETRO	PIGNON MARCHÉ ARRIÈRE
17	PAGB/T276-6002	30-16132	RODAMIENTO	BEARING	CUSCINETTO	ROULEMENT
18	REC26-16130	16130	RETÉN ACEITE	OIL SEAL	PARAOLIO	JOINT SPI
19	PAJASOF40431-050	25-16131	TÓRICA	O-RING	O-RING	TORIQUE
20	PAT5-03000500	825118T	FUNDA INFERIOR COMPLETA	COVER ASSY LOWER CASING	COPERCHIO CARTER INFERIORE COMPLETA	DIABOLO COMPLET
21	PAT5-03000800	161451	ESPACIADOR	CUSHION ASSY PROPELLER SHAFT	CUSCINO ALBERO TRASMISSIONE COMPLETO	ENTRETOISE D'HELICE
22	PAGB/T96-10	12-16146	ARANDELA	WASHER	RONDELLA	RONDELLE
23	PAGB/T91-3.2X18	18-815026	PASADOR ALETAS	PIN COTTER	COPPIGLIA	GOUPILLE FENDUE
24	REC11-16147Q	16147	TUERCA HÉLICE	PORPELLER NUT	DADO ELICA	ÉCROU D'HÉLICE
25	TEN00823	823912	ÁNODO REDONDO	ROUND ANODE	ANODO TONDO	ANODE RONDE
	CM3H6-60218-000	875208	ÁNODO CUADRADO	SQUARE ANODE	ANODO QUADRATO	ANODE CARRÉE
26	PATLA1412Z	23-16124	RODAMIENTO	BEARING	CUSCINETTO	ROULEMENT
27	REC30-95347	30-95347	RODAMIENTO	BEARING	CUSCINETTO	ROULEMENT
28	PAT5-03000009	28-16155	PIN	PIN	SPINOTTO	PIN
29	REC45-161351	45-16135 1	EJE S	SHAFT S	ASSE S	ARBRE S
	REC45-8M0076368	45-16136 1	EJE L	SHAFT L	ASSE L	ARBRE L
30	PAT5-03000005	27-16164	JUNTA	GASKET	GUARNIZIONE	JOINT
31	PAT5-03000004-1	15-161631	GRUESO (0.1 mm)	SHIM (0.1 mm)	SPESSORE (0.1 mm)	CALE (0.1 mm)
	PAT5-03000004-2	15-8132761	GRUESO (0.15 mm)	SHIM (0.15 mm)	SPESSORE (0.15 mm)	CALE (0.15 mm)
32	REC26-16162	26-16162	RETÉN ACEITE	OIL SEAL	PARAOLIO	JOINT SPI
33	PAT5-03000201	46-826053T	BASE BOMBA AGUA	WATER PUMP SEAT	SEDE POMPA ACQUA	BASE DE POMPE À EAU
34	PAT5-03000006	27-16160	JUNTA PLACA DE LA BOMBA	LOWER GASKET OUTER PLATE	GUARNIZIONE INFERIORE PIASTRA ESTERNA	JOINT DE PLAQUE
35	REC16159	16159	PLACA BOMBA AGUA	PLATE WATER PUMP	PIASTRA POMPA	PLAQUE DE POMPE À EAU
36	PAF6-03000003	27-16158	JUNTA BOMBA AGUA	GASKET WATER PUMP	GUARNIZIONE POMPA ACQUA	JOINT DE POMPE À EAU
37	REC47-161543	47-16154 3	IMPULSOR	IMPELLER	GIRANTE	TURBINE
38	PAF6-03000002	16157	CASQUILLO	BUSH	GHIERA	BAGUE
39	PAF6-03000001	46-16156	CUERPO BOMBA DE AGUA	WATER PUMP, HOUSING	CORPO POMPA ACQUA	CORPS DE POMPE D'EAU
40	PAT5-03000013	26-16168	CASQUILLO DE GOMA	DAMPER, WATER PUMP	GHIERA GOMA	BAGUE
41	PAT5-03000012	32-16167	TUBO	TUBE	TUBO	DURITE
42	PAT5-03000014	26-16171	CASQUILLO DE GOMA	DAMPER, WATER PUMP	GHIERA GOMA	BAGUE
43	PAJISB2401P16	25-16178	TÓRICA	O-RING	O-RING	TORIQUE
44	PAT5-03000020	23-16176	CASQUILLO EJE DE CAMBIO	ORIENTED BUSHING SHIFT ROD	BOCCOLA ASTA CAMBIO	BAGUE DE TIGE DE CHANGEMENT
45	PAT5-03000022	25-161771	TÓRICA	O-RING	O-RING	JOINT TORIQUE
46	PAT5-03000023	16165	PLACA BUJE	PLATE ORIENTED BUSHING	PIASTRA BOCCOLA	PLAQUE

4T 8, 9.9 HP (209CC)
STROKES

2T 6, 8 (2CYL) INTERN.
STROKES 8, 9.8 SEAPRO (2 CYL) INTERN.

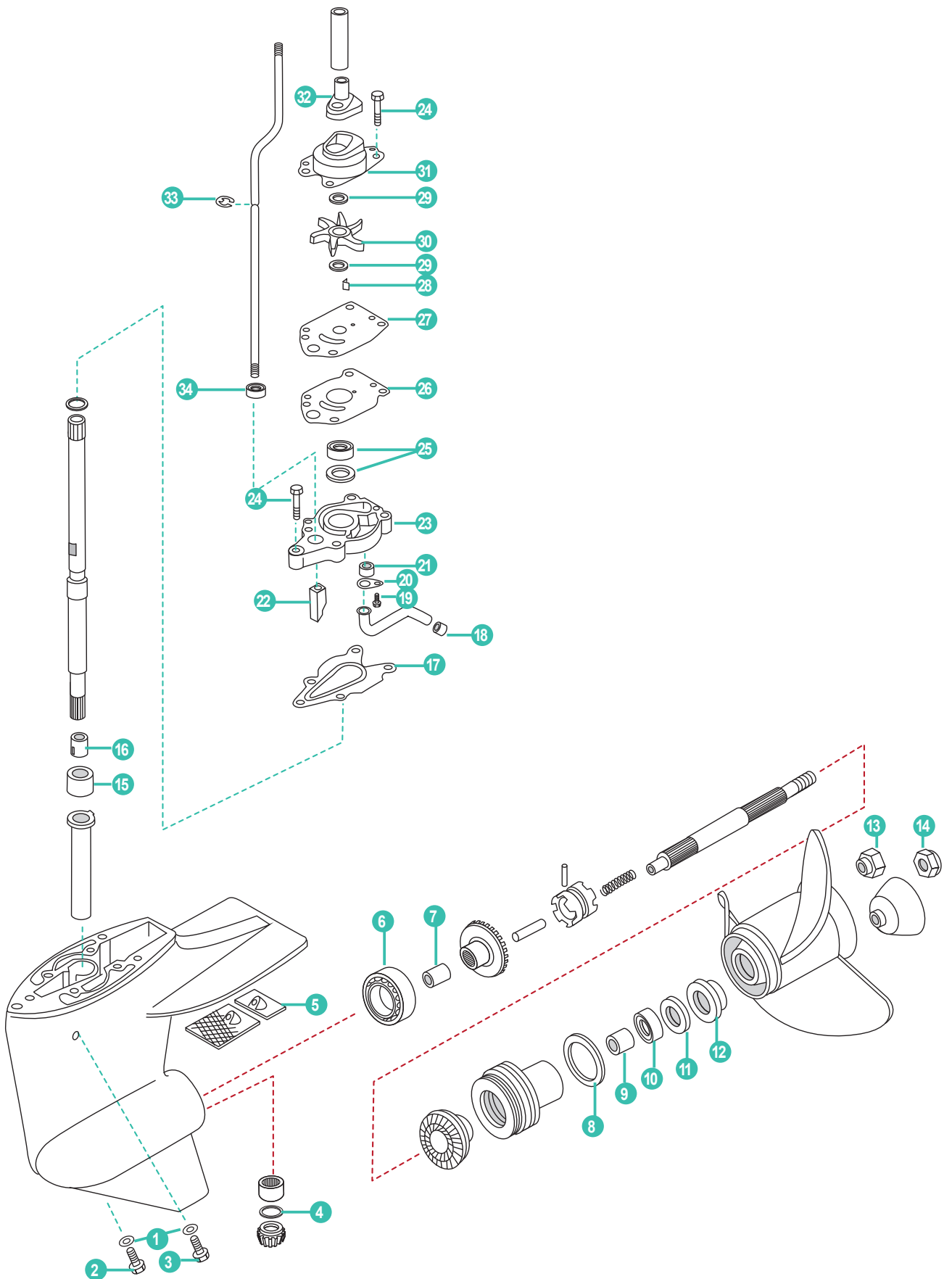


	REF	OEM				
1	REC90340-08002	95368 3	TAPÓN ACEITE	PLUG STRAIGHT SCREW	TAPPO OLIO	BOUCHON DE VIDANGE
2	REC90430-08020	95220	JUNTA	GASKET	GUARNIZIONE	JOINT
3	PAF8-04000017	803730001	FILTRO ENTRADA	WATER INLET	COPERCHIO ACQUA	ENTREE D'EAU
4	CM3V1-60217-0	853762T01	ÁNODO	ANODO	ANODO	ANODE
5	PAF8-04000003	803740 1	PIÑÓN ATAQUE	INITIATIVE GEAR	MARCIA INIZIATIVA	PIGNON D'ATTAQUE
6	PAGB/T276-6204	30-8037331	RODAMIENTO	BEARING	CUSCINETTO	ROULEMENT
7	PAF8-04000012-1	16141	GRUESO (0.1 mm)	SHIM (0.1 mm)	SPESSORE (0.1 mm)	CALE (0.1 mm)
	PAF8-04000012-2	813277	GRUESO (0.15 mm)	SHIM (0.15 mm)	SPESSORE (0.15 mm)	CALE (0.15 mm)
8	PAF8-04010000	8037391	PIÑÓN MARCHA AVANTE	POSITIVE GEAR	PIGNONE MARCIA AVANTE	PIGNON DE MARCHE AVANT
9	PAF8-04000305	16152	ÉMBOLO DE CAMBIO	PLUNGER SHIFT	CAMBIO PISTONE	PISTON
10	PAF8-04010000	16150	PIN	PIN	SPINOTTO	PIN
11	PAF8-04000303	803745 1	SELECTOR	CLUTCH, DOG	SELETTORE	CRABOT
12	PAF8-04000302	892777002	MUELLE	SPRING	MOLLA	RESSORT
13	PAF8-04000301	803744002	EJE HÉLICE	SHAFT PROPELLER	ASSE ELICA	ARBRE D'HÉLICE
14	PAF8-04000012	16140	ARANDELA	WASHER	RONDELLA	RONDELLE
15	PAF8-04000014	803741 1	PIÑÓN MARCHA ATRÁS	REVERSER GEAR	PIGNONE MARCIA INDIETRO	PIGNON MARCHE ARRIÈRE
16	PAF8-04040002	16131	TÓRICA	O-RING	O-RING	JOINT TORIQUE
17	PAF8-04040001	8037632T03	COJINETE DIÁBOLO	COVER LOWER CASING	COPERCHIO CARTER INFERIORE	DIABOLO
18	PAF8-04040000		DIÁBOLO COMPLETO	COVER LOWER CASING ASSY	COPERCHIO CARTER INFERIORE COMPLETO	DIABOLO COMPLET
19	PAF8-04040004	16130	RETÉN ACEITE	OIL SEAL	PARAOLIO	JOINT SPI
20	PAF8-04000019	803743002	ESPACIADOR DE HÉLICE	CUSHION PROPELLER	DISTANZIALE ELICA	ENTRETOISE D'HELICE
21	PAF15-06000016	16147	TUERCA HÉLICE	NUT, PROPELLER	DADO ELICA	ECROU D'HÉLICE
22	PAF8-04000016	895155	RETÉN	SEAL	PARAOLIO	TAMPON
23	PAF8-04000015	895156	RETÉN DE AGUA	WATER SEAL	TENUTA ACQUA	JOINT D'EAU
24	PAF8-04000021	95218 11	PIN, ACERO INOX.	PIN, DOWEL	SPINOTTO	CLAVETTE ARBRE DE TRANSMISSION
25	PAF8-04020001S	803738004	EJE S	SHAFT S	ASSE S	ARBRE S
	PAF8-04020001L	803738005	EJE L	SHAFT L	ASSE L	ARBRE L
26	PAF8-04000005	16158 7	JUNTA	GASKET	GUARNIZIONE	JOINT
27	PAF8-04000004-1	853795 5	GRUESO	SHIM	SPESSORE	CALE
28	PAF8-04000101	95348	RETÉN ACEITE	OIL SEAL	PARAOLIO	JOINT SPI
29	PAF8-04000006	16158 6	JUNTA	GASKET	GUARNIZIONE	JOINT
30	PAF8-04000007	803753 1	PLACA BOMBA AGUA	PLATE WATER PUMP	PIASTRA POMPA	PLAQUE DE POMPE À EAU
31	PAF8-04000008	16158 5	JUNTA BOMBA AGUA	GASKET WATER PUMP	GUARNIZIONE POMPA ACQUA	JOINT DE POMPE À EAU
32	PAF8-04000200	803748 1	IMPULSOR	IMPELLER	GIRANTE	TURBINE
33	PAF8-04000010	803751 1	TAPA BOMBA	PUMP CAP	COPERCHIO POMPA	COUVERCLE POMPE
34	PAF8-04000009	803750A02	CUERPO BOMBA DE AGUA	WATER PUMP, HOUSING	CORPO POMPA ACQUA	CORPS DE POMPE A EAU
35	PAF8-04000013	804903	CASQUILLO DE GOMA	DAMPER, WATER PUMP	GHIERA GOMA	BAGUE
36	PAF8-02000006S	803755004	TUBO AGUA S	WATER TUBE S	TUBO ACQUA S	TUYAU D'EAU S
	PAF8-02000006L	803755005	TUBO AGUA L	WATER TUBE L	TUBO ACQUA L	TUYAU D'EAU L
37	PAF8-02000007	804899002	RETÉN TUBO DE AGUA	UPPER SEAL, WATER PIPE	TENUTA, TUBO ACQUA	JOINT SUPERIEUR TUBE D'EAU



4T 8 HP BODENSEE (INTER.) • 9.9 HP (232 CC) • 13.5 HP (INTER.) • 15 HP
STROKES RATIO 2.00:1 • Ø TORPEDO 102 mm

2T 6, 8, 9.9, 13.5, 15 HP (1986+)
STROKES



MERCURY MARINER

RECAMBIOS MARINOS

	REF	OEM				
1	REC12-191833	12-19183-3	JUNTA	GASKET	GUARNIZIONE	JOINT SPI
2	REC22-67892A05	22-67892A1	TORNILLO DRENAJE	DRAINING SCREW	VITI DRENAGGIO	VIS DE VIDANGE
3	REC10-79953Q04	10-79953Q2	TORNILLO	SCREW	VITI	VIS
4	REC12-41369	12-41369	ARANDELA	WASHER	RONDELLA	RONDELLE
5	CM42121A2	42121A2	ANODO ALUMINIO	ANODE ALUMINIUM	ANODO ALLUMINIO	ANODE ALUMINIUM
	CM42121	42121A2	ANODO ZINC	ANODE ZINC	ANODO ZINCO	ANODE ZINC
6	REC31-821321A1	31-821321A1	RODAMIENTO	BEARING	CUSCINETTO	ROULEMENT
7	REC23-41367	23-41367	CASQUILLO	BUSHING	BOCCOLA	BAGUE
8	REC25-33145	25-33145	ARO TÓRICO	O-RING	O-RING	TORIQUE
9	REC23-821927	23-821927	CASQUILLO	BUSHING	BOCCOLA	BAGUE
10	REC26-66022	26-66022	RETÉN ACEITE (DESIGN I)	OIL SEAL (DESIGN I)	PARAOILIO (DESIGN I)	JOINT SPI (DESIGN I)
	REC26-99325	26-99325	RETÉN ACEITE (DESIGN II)	OIL SEAL (DESIGN II)	PARAOILIO (DESIGN II)	JOINT SPI (DESIGN II)
11	REC26-821928	26-821928	RETÉN ACEITE (DESIGN III)	OIL SEAL (DESIGN III)	PARAOILIO (DESIGN III)	JOINT SPI (DESIGN III)
12	REC8219321	821932-1	CIERRE HÉLICE	THRUST HUB	CHIUSURA ELICA	RONDELLE D'HELICE
13	REC23-420911	23-42091-1	ESPACIADOR DE HÉLICE	CUSHION PROPELLER	DISTANZIALE ELICA	ENTRETOISE D'HELICE
14	REC11-40140	11-40140	TUERCA HÉLICE	NUT, PROPELLER	DADO ELICA	ECROU D'HELICE
15	REC23-823944	23-823944	CASQUILLO	SLEEVE	BOCCOLA	BAGUE
16	REC23-823943	23-823943	CASQUILLO	BUSHING	BOCCOLA	BAGUE
17	REC27-192043	27-19204-3	JUNTA	GASKET	GUARNIZIONE	JOINT
18	REC26-33613	26-33613	RETÉN	SEAL	PARAOILIO	JOINT
19	REC10-48408	10-48408	TORNILLO	SCREW	VITE	VIS
20	REC42375	42375	RETENEDOR	RETAINER	RITENITORE	RETENUE
21	REC26-42133	26-42133	RETÉN	SEAL	TENUTA	JOINT
22	REC42039	42039	LEVA CAMBIO	SHIFT CAM	ASSE CAMBIO	LEVIER DE CHANGEMENT
23	REC46-42040T5	46-42040T5	BASE BOMBA	PUMP BASE ASSEMBLY	BASE POMPA	BASE DE POMPE A EAU
24	REC10-82684430	10-826844-30	TORNILLO	SCREW	VITE	VIS
25	REC26-413651	26-41365-1	RETÉN ACEITE	OIL SEAL	PARAOILIO	JOINT SPI
26	REC27-19202001	27-19202	JUNTA	GASKET	GUARNIZIONE	JOINT
27	REC42200	42200	TAPA BOMBA	WEAR PLATE	COPERCHIO POMPA	PLAQUE DE POMPE A EAU
28	REC28-42376A2	28-42376A2	CHAVETA	KEY	CHIAVETTA	CLAVETTE
29	REC12-16448	12-16448	ARANDELA	WASHER	RONDELLA	RONDELLE
30	REC47-420382	47-42038-2	IMPULSOR	IMPELLER	GIRANTE	TURBINE
31	REC46-42089A2	46-42089A2	CUERPO BOMBA DE AGUA	WATER PUMP, HOUSING	CORPO POMPA ACQUA	CORS DE POMPE A EAU
32	REC26-421021	26-42102-1	GRUESO	GROMMET	SPESSORE	ENTRETOISE
33	REC52-42389	52-42389	CLIP	CLIP	CLIP	CLIP
34	REC25-822236	25-822236	ARO	QUAD RING	O-RING	JOINT



REC80W90U3
REC80W90U6
RECGREU1
RECGREU2

P. 45



REF OEM

REC26-41365A3 26-41365A3

P. 174



REF OEM

REC47-42038Q3 47-42038Q3

P. 184



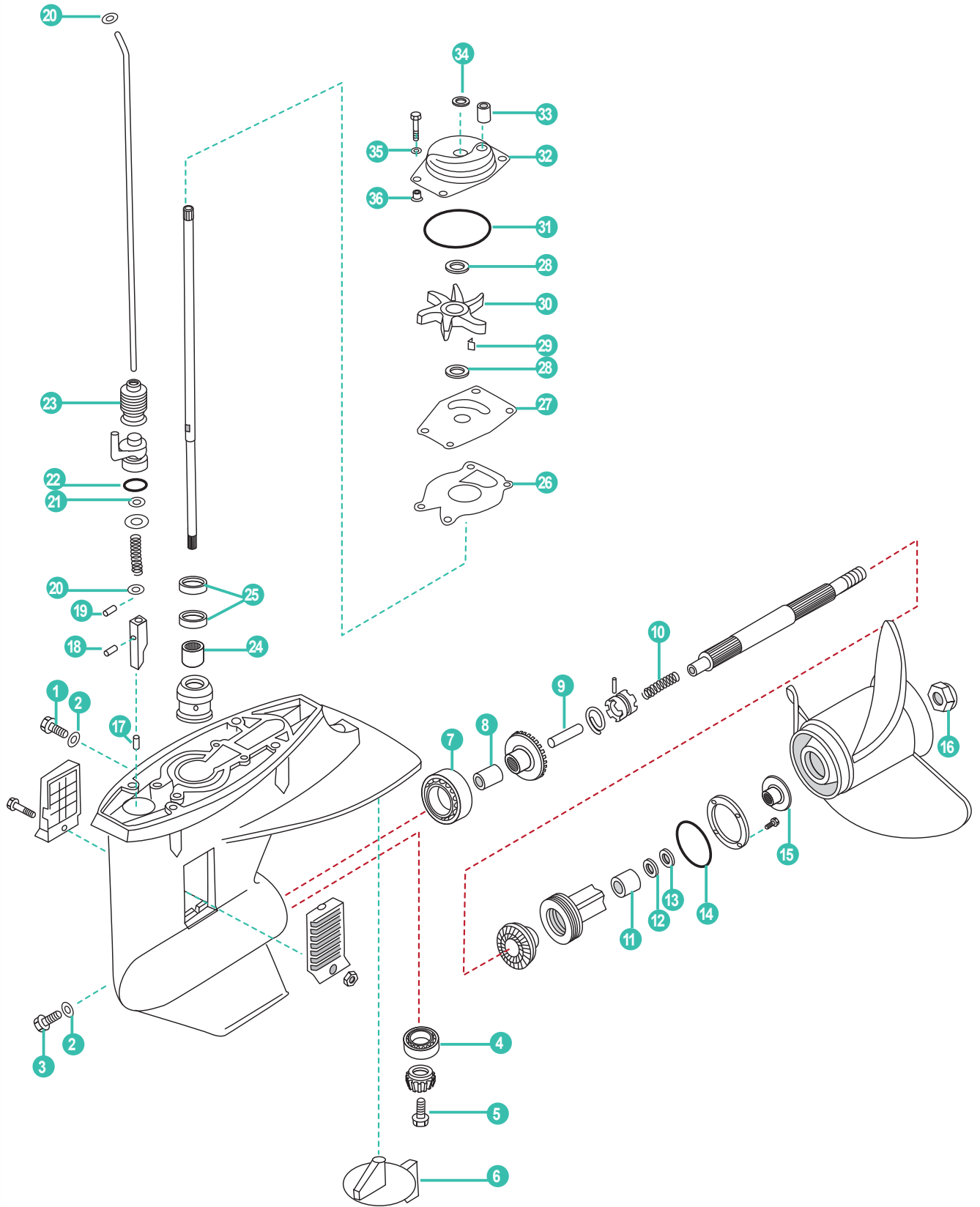
REF OEM

REC46-42089A5 46-42089A5

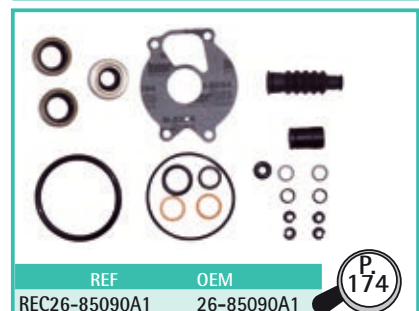
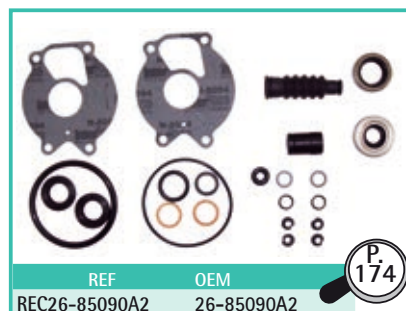
P. 184

4T 8 HP BODENSEE (INTER.) • 9.9 HP (232 CC) • 13.5 HP (INTER.) • 15 HP
 STROKES RATIO 2.42:1 • Ø TORPEDO 130 mm

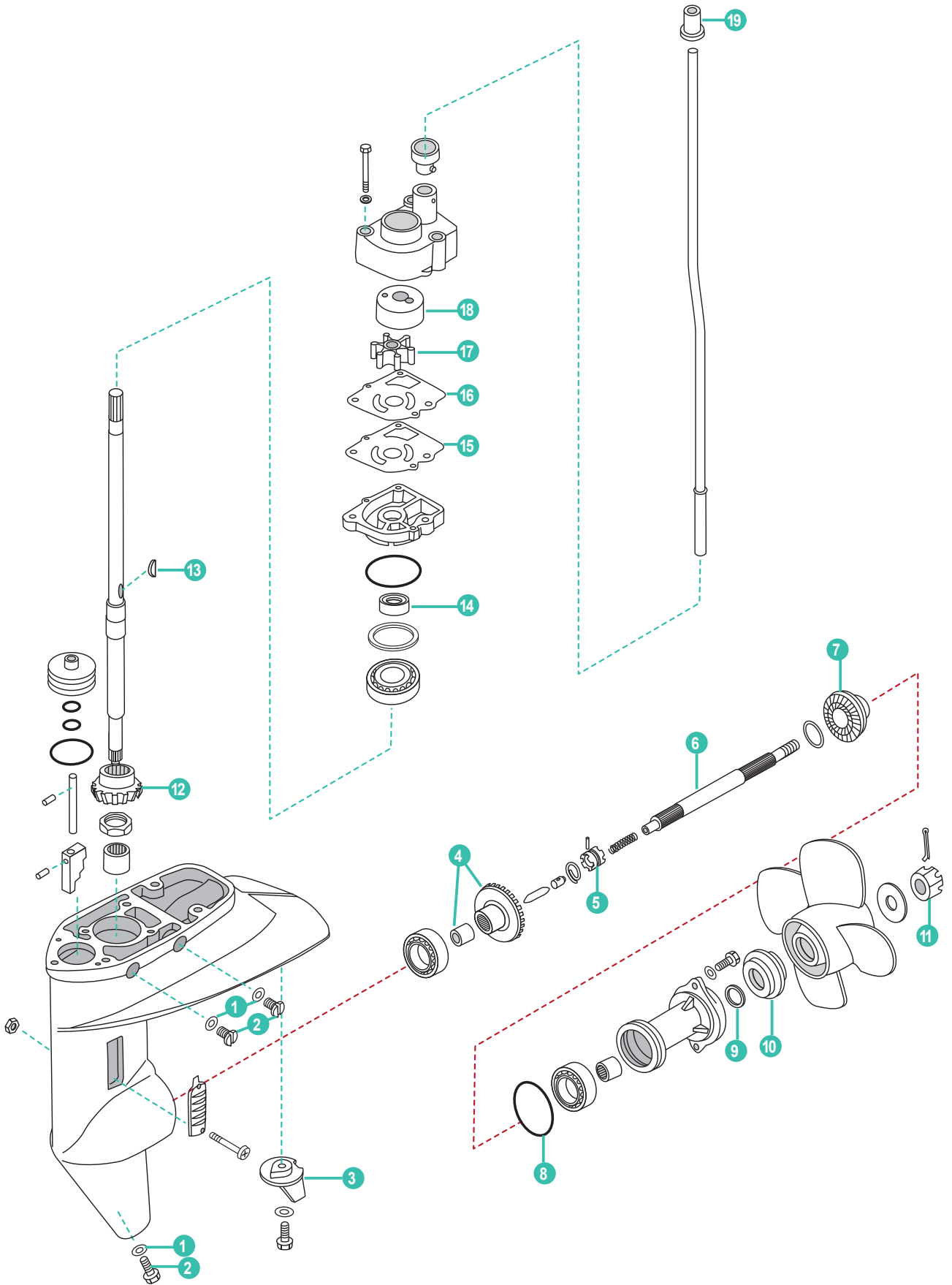
2T 18XD, 20, 25 HP (1984+)
 STROKES



	REF	OEM				
1	REC10-79953Q04	10-79953Q2	TORNILLO	BOLT	VITE	VIS
2	REC12-191833	12-19183-3	JUNTA	GASKET	GUARNIZIONE	JOINT
3	REC22-67892A05	22-67892A1	TORNILLO DRENAJE	DRAINING SCREW	VITI DRENAGGIO	VIS DE VIDANGE
4	REC31-98294A1	31-98294A1	RODAMIENTO	BEARING	CUSCINETTO	ROULEMENT
5	REC10-49908	10-49908	TORNILLO	BOLT	VITE	VIS
6	TEN00812	98432T6	ANODO ZINC	TRIM TAB ZINC	ANODO ZINCO	ANODE ZINC
	CM984325A	98432T6	ANODO ALUMINIO	TRIM TAB ALUMINUM	ANODO ALLUMINIO	ANODE ALUMINIUM
7	REC31-66668A1	31-99328A1	RODAMIENTO	BEARING	CUSCINETTO	ROULEMENT
8	REC23-85557	23-85557	CASQUILLO	BUSHING	BOCCOLA	BAGUE
9	REC85094	85094	ÉMBOLO DE CAMBIO	PLUNGER SHIFT	CAMBIO PISTONE	PISTON
10	REC24-88680	24-88680	MUELLE	SPRING	MOLLA	RESSORT
11	REC31-21739	31-21739	RODAMIENTO AGUJAS	BEARING, NEEDLE	CUSCINETTO	ROULEMENT
12	REC26-41132	26-41132	RETÉN ACEITE	OIL SEAL	PARAOLIO	JOINT SPI
13	REC26-76127	26-41131	RETÉN ACEITE	OIL SEAL	PARAOLIO	JOINT SPI
14	REC25-85549	25-85549	ARO TÓRICO	O-RING	O-RING	JOINT TORIQUE
15	REC858498	858498	TOPE HÉLICE	THRUST WASHER	CHIUSURA ELICA	RONDELLE D'HELICE
16	REC11-88228	11-88228	TUERCA HÉLICE (PLÁSTICO)	PROP NUT (PLASTIC)	DADO ELICA (PLASTICA)	ECROU D'HELICE (PLASTIQUE)
	REC11-4011912	11-40119-12	TUERCA HÉLICE	PROP NUT	DADO ELICA	ECROU D'HELICE
17	REC17-85500	17-85500	PIN	PIN	SPINOTTO	PIN
18	REC17-85096	17-85096	PASADOR	DRIVE PIN	FERNO	GOUPILLE
19	REC17-85593	17-85593	PASADOR	ROLL PIN	FERNO	GOUPILLE
20	REC12-29245	12-29245	ARANDELA	WASHER	RONDELLA	RONDELLE
21	REC301877	25-85594	ARO TÓRICO	O-RING	O-RING	JOINT TORIQUE
22	REC310584	25-35276	ARO TÓRICO	O-RING	O-RING	JOINT TORIQUE
23	REC85552001	85552001	LEVA FUELLE	SHIFT BOOT	CUFFIA DEL CAMBIO	SOUFFLET
24	REC31-41326	31-41326	RODAMIENTO	BEARING	CUSCINETTO	ROULEMENT
25	REC26-99325	26-99325	RETÉN	OIL SEAL	PARAOLIO	JOINT SPI
26	REC27-993261	27-99326-1	JUNTA	GASKET	GUARNIZIONE	JOINT
27	REC85083	85083	TAPA BOMBA	WEAR PLATE	COPERCHIO POMPA	COUVERCLE POMPE
28	REC12-86645	12-86645-1	ARANDELA	WASHER	RONDELLA	RONDELLE
29	REC28-8M0032838	28-8M0032838	CHAVETA	KEY	CHIAVETTA	CLAVETTE
30	REC47-8508910	47-85089-10	IMPULSOR	IMPELLER	GIRANTE	TURBINE
31	REC25-67202	25-69202	ARO TÓRICO	O-RING	O-RING	JOINT TORIQUE
32	REC46-99157A02	46-99157A02	CUERPO BOMBA	PUMP HOUSING	CORPO POMPA	CORPS DE POMPE A EAU
33	REC26-85090001	26-85090	GRUESO	GROMMET	SPESSORE	ENTRETOISE
34	REC25-86203	25-86203	CASQUILLO BOMBA	SLINGER	GHIERA POMPA	BAGUE DE POMPE
35	REC12-29245	12-89302	ARANDELA	WASHER	RONDELLA	RONDELLE
36	REC23-85095	23-85095	CIERRE	INSULATOR	CHIUSURA	ISOLANT



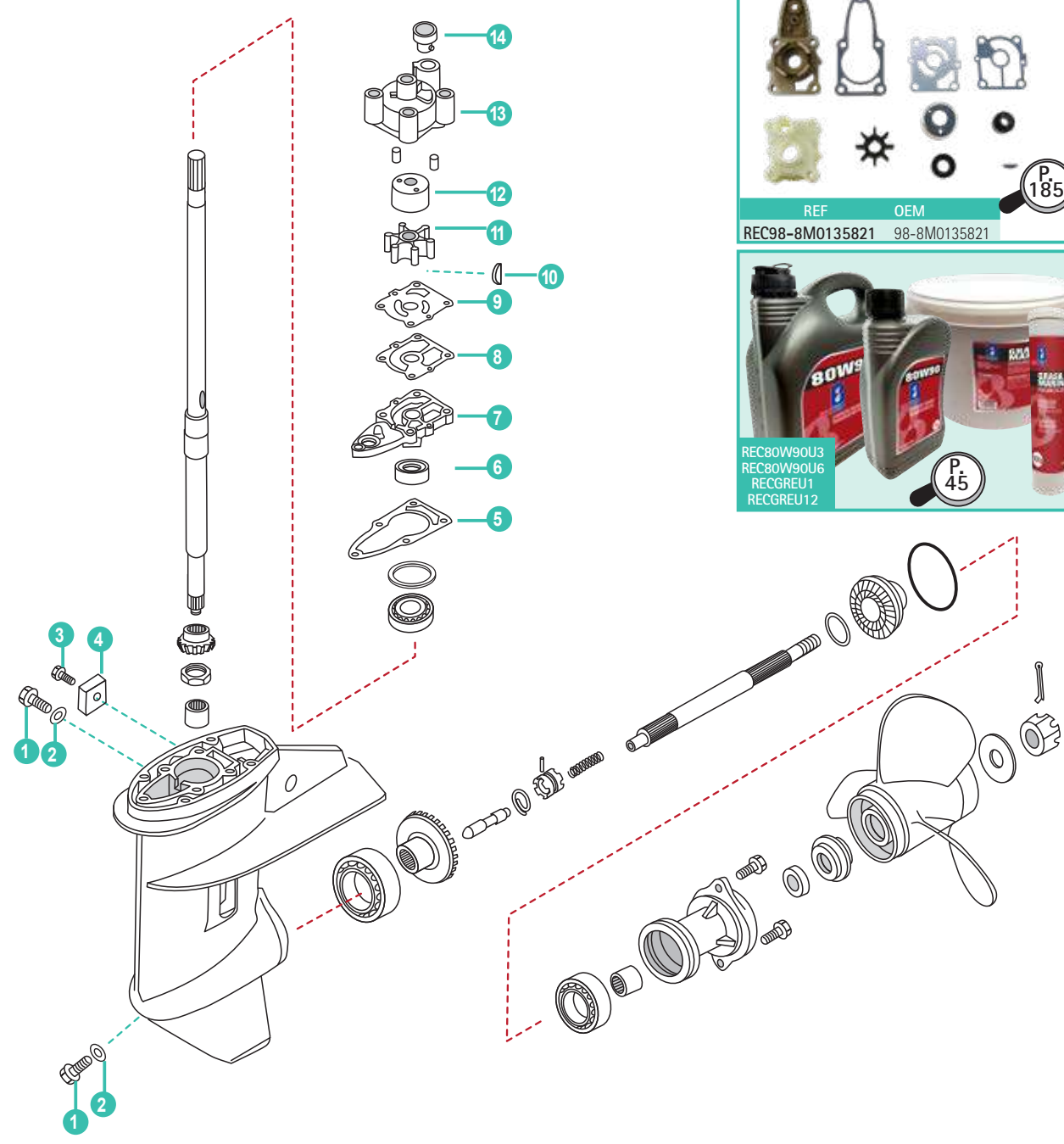
4T 8, 9.9, 10, 15, 20 HP
STROKES COMMAND THRUST



	REF	OEM				
1	REC90430-08020	95220	JUNTA	GASKET	GUARNIZIONE	JOINT
2	REC90340-08002	953683	TORNILLO DRENAJE	DRAINING SCREW	VITI DRENAGGIO	VIS DE VIDANGE
3	CM3V1-60217-0	853762T01	ÁNODO	ANODE	ANODO	ANODE
4	REC43-803739T03	803739T02	PIÑÓN MARCHA AVANTE	POSITIVE GEAR	PIGNONE MARCIA AVANTE	PIGNON DE MARCHÉ AVANT
5	REC52-803745	803745	SELECTOR	CLUTCH, DOG	SELETTORE	CRABOT
6	REC879147T96	803744T03	EJE HÉLICE	SHAFT PROPELLER	ASSE ELICA	ARBRE D'HÉLICE
7	REC43-803741T03	803741T02	PIÑÓN MARCHA ATRÁS	REVERSER GEAR	PIGNONE MARCIA INDIETRO	PIGNON MARCHÉ ARRIÈRE
8	REC25-8M0087846	803735	TÓRICA	O-RING	O-RING	JOINT TORIQUE
9	REC26-161622	161622	RETÉN ACEITE	OIL SEAL	PARAOLIO	JOINT SPI
10	PAF8-04000019	803743	ESPACIADOR DE HÉLICE	CUSHION PROPELLER	DISTANZIALE ELICA	ENTRETOISE D'HELICE
11	REC11-161471	161471	TUERCA HÉLICE	NUT, PROPELLER	DADO ELICA	ECROU D'HÉLICE
12	REC43-803740T02	803740T02	PIÑÓN ATAQUE	INITIATIVE GEAR	MARCIA INIZIATIVA	PIGNON D'ATTAQUE
13	REC28-803749	803749	CHAVETA	KEY, WOODRUFF	CIAVETTA	CLAVETTE
14	REC26-803752	803752	RETÉN ACEITE	OIL SEAL	PARAOLIO	JOINT SPI
15	REC27-8M0075040	8M0075040	JUNTA	GASKET	GUARNIZIONE	JOINT
16	REC803753	803753	TAPA BOMBA	OUTER PLATE	COPERCHIO POMPA	PLAQUE DE POMPE A EAU
17	REC334-65021-1	803748	IMPULSOR	IMPELLER	GIRANTE	TURBINE
18	REC803751	803751	CASQUILLO	INSERT	GHIERA	INSERT
19	PAF8-02000007	804899002	RETÉN	SEAL	PARAOLIO	JOINT SPI



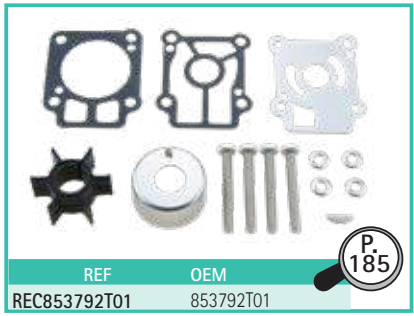
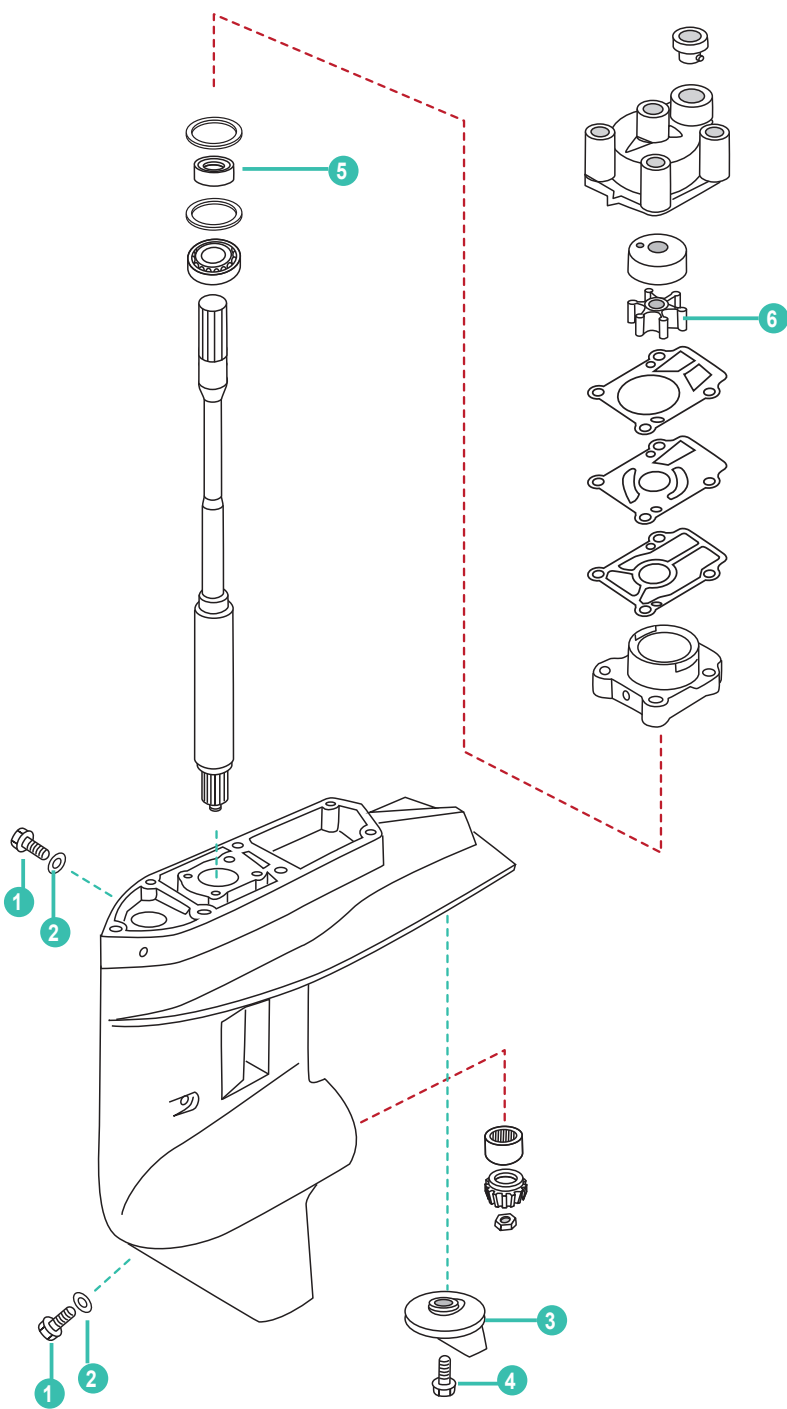
4T 9.9, 10, 15, 20 HP
STROKES



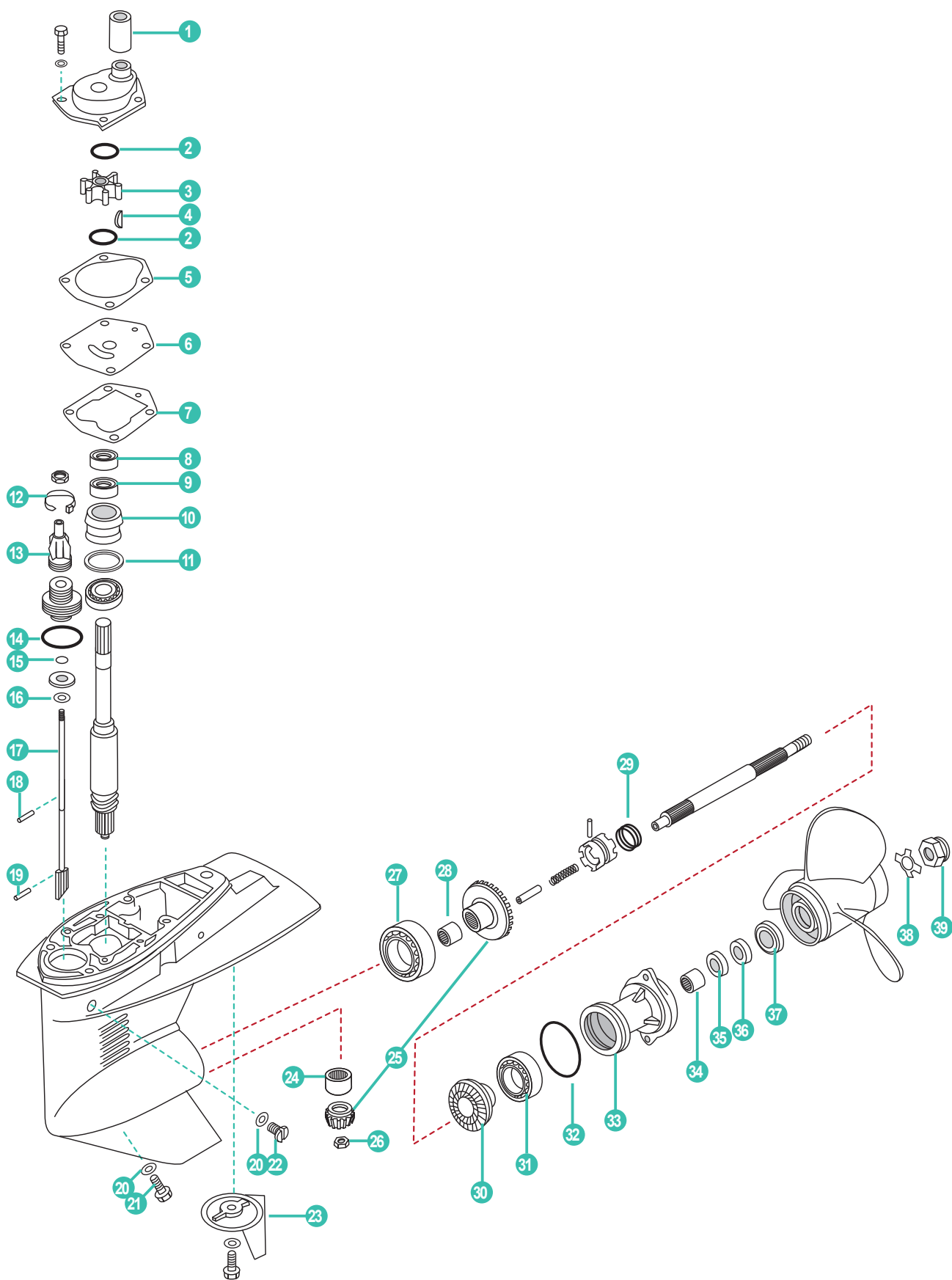
REF	OEM
REC98-8M0135821	98-8M0135821

REC80W90U3
REC80W90U6
RECGREU1
RECGREU12

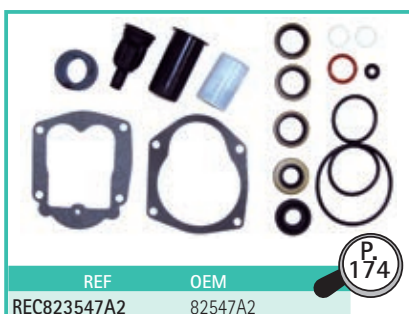
	REF	OEM				
1	REC90340-08002	953683	TORNILLO DRENAJE	DRAINING SCREW	VITI DRENAGGIO	VIS DE VIDANGE
2	REC09168-10022	8M0082880	JUNTA	GASKET	GUARNIZIONE	JOINT DE VIDANGE
3	PAGB/T5787-M6X20	167051	TORNILLO	BOLT	VITE	VIS
4	REC41106-ZW9-000AL	8M0137344	ÁNODO	ANODE	ANODO	ANODE
5	REC27-8M0135804	8M0135804	JUNTA	GASKET	GUARNIZIONE	JOINT
6	REC26-803752	803752	RETÉN ACEITE	OIL SEAL	PARAOLIO	JOINT SPI
7	REC8M0134493	8M0134493	CUERPO BOMBA	PUMP HOUSING	CORPO POMPA	CORPS DE POMPE A EAU
8	REC27-8M0135806	8M0135806	JUNTA	GASKET	GUARNIZIONE	JOINT DE POMPE A EAU
9	REC8M0135805	8M0135805	TAPA BOMBA	OUTER PLATE	COPERCHIO POMPA	PLAQUE DE POMPE
10	REC28-8M0137347	8M0137347	CHAVETA	KEY, WOODRUFF	CIAVETTA	CLAVETTE
11	REC334-65021-1	8M0135803	IMPULSOR	IMPELLER	GIRANTE	TURBINE
12	REC803751	803751	CASQUILLO	INSERT	GHIERA	INSERT
13	REC8M0134492	8M0134492	CUERPO BOMBA	PUMP HOUSING	CORPO POMPA	CORPS DE POMPE A EAU
14	REC26-8036674	8036674	CASQUILLO DE GOMA	DAMPER, WATER PUMP	GHIERA GOMA	BAGUE



	REF	OEM				
1	REC90340-08002	953683	TORNILLO DRENAJE	DRAINING SCREW	VITI DRENAGGIO	VIS DE VIDANGE
2	REC90430-08020	95220	JUNTA	GASKET	GUARNIZIONE	JOINT DE VIDANGE
3	REC853762	853762	ÁNODO	ANODE	ANODO	ANODE
4	PAGB/T5787-M6X20	167051	TORNILLO M6X20	BOLT M6X20	VITE M6X20	VIS M6X20
5	REC26-161622	161622	RETÉN ACEITE	OIL SEAL	PARAOILIO	JOINT SPI
6	REC345-65021-0	161541	IMPULSOR	IMPELLER	GIRANTE	TURBINE

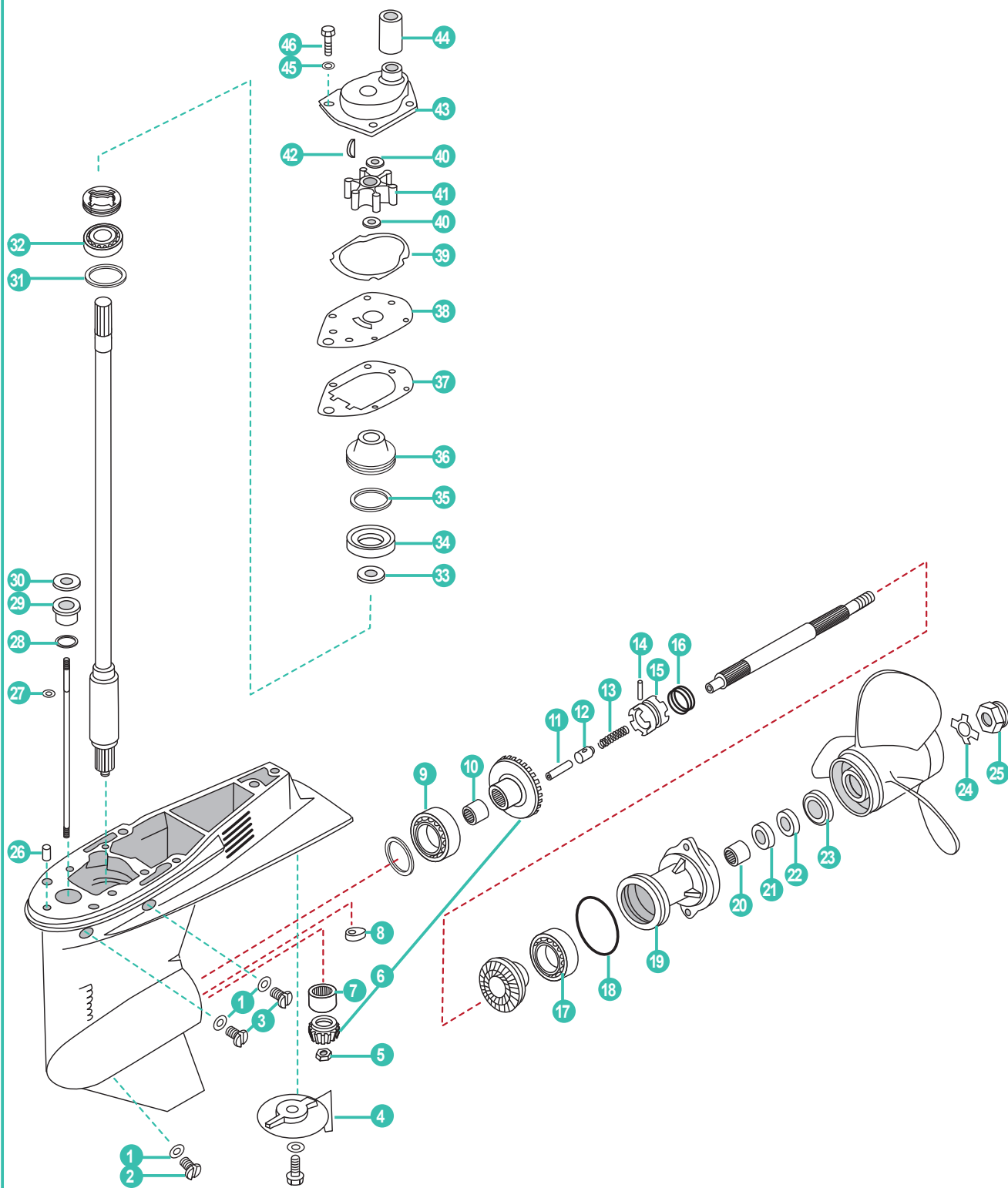


	REF	OEM				
1	REC8235471	823547-1	TUBO AGUA 2 ^{1/4"}	WATER TUBE	TUBO ACQUA	TUBE D'EAU
	REC43023	43023	TUBO AGUA 1 ^{3/4"}	WATER TUBE	TUBO ACQUA	TUBE D'EAU
2	REC12-86645	12-86645-1	ARANDELA	WASHER	RONDELLA	RONDELLE
3	REC47-8508910	47-85089-3	IMPULSOR	IMPELLER	GIRANTE	TURBINE
4	REC28-8M0032838	28-8M0032838	CHAVETA	KEY	CHIAVETTA	CLAVETTE
5	REC27-822189	27-822189	JUNTA	GASKET	GUARNIZIONE	JOINT
6	REC8213542	821354-2	TAPA BOMBA	OUTER PLATE	COPERCHIO POMPA	PLAQUE DE POMPE
7	REC27-822217	27-822217	JUNTA	GASKET	GUARNIZIONE	JOINT
8	REC26-821309	26-821309	RETÉN ACEITE	OIL SEAL	PARAOLIO	JOINT SPI
9	REC26-821310	26-821310	RETÉN ACEITE	OIL SEAL	PARAOLIO	JOINT SPI
10	REC46-821307A2	46-821307A2	BASE BOMBA	PUMP BASE	BASE POMPA	BASE POMPE À EAU
11	REC25-821308	25-821308	ARO TÓRICO	O-RING	O-RING	JOINT TORIQUE
12	REC54-8M0064024	823548	ABRAZADERA	CABLE TIE	FASCETTA	COLLIER
13	REC822158	822158	PROTECTOR GOMA	BOOT	PROTETTORE GOMMA	PROTECTION CAOUTCHOUC
14	REC3852928	25-26855	ARO TÓRICO	O-RING	O-RING	JOINT TORIQUE
15	REC301877	25-85594	ARO TÓRICO	O-RING	O-RING	JOINT TORIQUE
16	REC12-29245	12-29245	ARANDELA	WASHER	RONDELLA	RONDELLE
17	REC8213161	8213161	LEVA CAMBIO	SHIFT CAM	ALBERO CAMBIO	LEVIER DE CHANGEMENT
18	REC17-85593	17-85593	PIN	PIN	SPINOTTO	PIN
19	REC17-822369	17-822369	PIN	PIN	SPINOTTO	PIN
20	REC12-191833	12-19183-3	JUNTA	GASKET	GUARNIZIONE	JOINT
21	REC22-67892A05	22-67892A1	TORNILLO DRENAJE	DRAINING SCREW	VITE DRENAGGIO	VIS DE VIDANGE
22	REC10-79953Q04	10-79953Q2	TAPÓN	SCREW SET	TAPPO	BOUCHON
23	TEN00829AL	822157T2	ÁNODO ALUMINIO	ANODE ALUMINUM	ANODO ALLUMINIO	ANODE ALUMINIUM
	CM822157T2	822157T2	ÁNODO ZINC	ANODE ZINC	ANODO ZINCO	ANODE ZINC
24	REC31-821321A1	31-821321A1	RODAMIENTO	BEARING	CUSCINETTO	ROULEMENT
25	REC43-803498T1	43-803498T1	KIT PIÑONES MARCHA AVANTE	P/FORWARD GEAR SET	KIT PIGNONE MARCIA AVANTI	KIT PIGNON MARCHE AVANT
26	REC3133339	11-55910	TUERCA PIÑÓN	PINION NUT	DADO PIGNONE	ÉCROU PIGNON
27	REC31-66668A1	31-99328A1	COJINETE	BEARING	CUSCINETTO	ROULEMENT
28	REC31-41326	31-41326	COJINETE	BEARING	CUSCINETTO	ROULEMENT
29	REC24-38114	24-38114	MUELLE	SPRING	MOLLA	RESSORT
30	REC43-822163T1	43-822163T1	PIÑÓN MARCHA ATRÁS	REVERSE GEAR	PIGNONE MARCIA INDIETRO	PIGNON MARCHE ARRIÈRE
31	REC30-20839T	30-20839T	COJINETE	BEARING	CUSCINETTO	ROULEMENT
32	REC25-80863	25-815460	ARO TÓRICO	O-RING	O-RING	JOINT TORIQUE
33	REC19291A3	19291A3	COJINETE DIABOLO	BEARING CARRIER	DIABOLO	DIABOLO
34	REC31-21700	31-21700	COJINETE	BEARING	CUSCINETTO	ROULEMENT
35	REC26-69188	26-69188	RETÉN ACEITE	OIL SEAL	PARAOLIO	JOINT SPI
36	REC26-69189	26-69189	RETÉN ACEITE	OIL SEAL	PARAOLIO	JOINT SPI
37	REC73345A1	73345A1	CIERRE HÉLICE	THRUST HUB	FERMO PER ELICA	RONDELLE BUTÉE D'HELICE
38	REC14-76281Q	14-76281	ARANDELA	TAB WASHER	RONDELLA	RONDELLE
39	REC11-69578Q1	11-69578A1	TUERCA HÉLICE	PROP NUT	DADO ELICA	ÉCROU D'HELICE



4T 30, 40, 50, 60 HP (4 CYL) EFI • 40 CARB (3CYL)
 STROKES Ø TORPEDO 87.38 mm = 3.44"

2T 50, 55, 60 HP (3 CYL)
 STROKES



REF	OEM	
REC26-814669A2	26-814669A2	

REF	OEM	
REC46-812966A12	46-812966A12	

REF	OEM	
REC46-812966A12	46-812966A11	

	REF	OEM				
1	REC12-191833	12-19183-3	JUNTA	GASKET	GUARNIZIONE	JOINT DE VIDANGE
2	REC22-67892A05	22-67892A1	TORNILLO DRENAJE	DRAINING SCREW	VITE DRENAGGIO	VIS DE VIDANGE
3	REC10-79953Q04	10-79953Q2	JUEGO TORNILLOS	SCREW KIT	KIT VITE	KIT VIS
4	TEN00827	17264T2	ÁNODO ZINC	TRIM TAB ZINC	ANODO ZINCO	ANODE ZINC
5	REC313339	11-55910	TUERCA PIÑÓN	PINION NUT	DADO PIGNONE	ÉCROU PIGNON
6	REC43-803499T1	43-803499T1	KIT PIÑONES MARCHA AVANTE (1.64:1)	FORWARD GEAR SET (1.64:1)	KIT PIGNONE MARCIA AVANTI (1.64:1)	KIT PIGNON MARCHE AVANT (1.64:1)
7	REC31-812768	31-812768	RODAMIENTO	BEARING	CUSCINETTO	ROULEMENT
8	REC76039-4	76039-4	LEVA	SHIFT CAM	LEVA	CAME
9	REC983892	31-812767A1	COJINETE	BEARING	CUSCINETTO	ROULEMENT
10	REC31-21739	31-21739	COJINETE	BEARING	CUSCINETTO	ROULEMENT
11	REC812929-1	812929-1	PASADOR	CAM FOLLOWER	CHIAVISTELLO	GOUPILLE
12	REC20843	20843	ACOPLE	SLIDE	ACCOPPIO	INSERT
13	REC24-815418	24-815418	MUELLE	SPRING	MOLLA	RESSORT
14	REC17-8M0020942	17-38113	PASADOR	CROSS PIN	SPINOTTO	PIN
15	REC52-850048T	52-850048T	SELECTOR	CLUTCH DOG	SELETTORE	CRABOT
16	REC24-30893	24-30893	MUELLE	SPRING	MOLLA	RESSORT
17	REC30-20839T	30-20839T	COJINETE	BEARING	CUSCINETTO	ROULEMENT
18	REC25-815460	25-815460	ARO TÓRICO	O-RING	O-RING	JOINT TORIQUE
19	REC19291A3	19291A3	COJINETE DIÁBOLO	BEARING CARRIER	CUSCINETTO	DIABOLO
20	REC31-21700	31-21700	COJINETE	BEARING	CUSCINETTO	ROULEMENT
21	REC26-69188	26-69188	RETÉN ACEITE	OIL SEAL	PARAOLIO	JOINT SPI
22	REC26-69189	26-69189	RETÉN ACEITE	OIL SEAL	PARAOLIO	JOINT SPI
23	REC73345A1	73345A1	TOPE HÉLICE	THRUST HUB	FERMO PER ELICA	RONDELLE BUTÉE D'HÉLICE
24	REC14-76281Q	14-76281	CIERRE HÉLICE	TAB WASHER	CHIUSURA ELICA	RONDELLE FREIN
25	REC11-69578Q1	11-69578A1	TUERCA HÉLICE	PROP NUT	DADO ELICA	ÉCROU D'HÉLICE
26	REC17-43043	17-43043	PASADOR	PIN	SPINOTTO	PIN
27	REC53-29641	53-29641	ARO RETENEDOR	RETAINING RING	CLIP	CLIPS
28	REC25-45258	25-45258	ARO TÓRICO	O-RING	O-RING	JOINT TORIQUE
29	REC23-813696A2	23-813696A2	CUERPO VARILLA CAMBIO	BUSHING ASSEMBLY	CORPO BACCHETTA CAMBIO	BAGUE ARBRE DE CHANGEMENT
30	REC26-8164641	26-816464-1	RETÉN ACEITE	OIL SEAL	PARAOLIO	JOINT SPI
31	REC15-812770A1	15-812770A1	KIT SUPLEMENTOS	SHIM SET	KIT SPESSORI	KIT ENTRETOISES
32	REC31-77420A1	31-77420A1	COJINETE	BEARING	CUSCINETTO	ROULEMENT
33	REC26-814669	26-814669	RETÉN ACEITE	OIL SEAL	PARAOLIO	JOINT SPI
34	REC26-814670	26-814670	RETÉN ACEITE	OIL SEAL	PARAOLIO	JOINT SPI
35	REC25-30224	25-30224	ARO TÓRICO	O-RING	O-RING	TORIQUE
36	REC46-812966A7	46-812966A7	BASE BOMBA	PUMP BASE	BASE POMPA	BASE POMPE À EAU
37	REC27-8M4502052	27-19701	JUNTA	GASKET	GUARNIZIONE	JOINT
38	REC19700A2	19700A2	TAPA BOMBA	OUTER PLATE	COPERCHIO POMPA	PLAQUE DE POMPE A EAU
39	REC27-822189	27-822189	JUNTA	GASKET	GUARNIZIONE	JOINT
40	REC8M0005777	12-858234	ARANDELA PLÁSTICO	WASHER-PLASTIC	RONDELLA PLASTICA	RONDELLE DE PLASTIQUE
41	REC47-19453T	47-19453T	IMPULSOR	IMPELLER	GIRANTE	TURBINE
42	REC28-8M0032831	28-8M0032831	CHAVETA	KEY	CHIAVETTA	CLAVETTE
43	REC14334A3	14334A3	CUERPO BOMBA	PUMP HOUSING	CORPO POMPA	CORPS DE POMPE A EAU
44	REC43023 REC893857	43023 859770-1	TUBO AGUA TUBO AGUA (4 TIEMPOS)	TUBE SEAL TUBE SEAL (FOR 4-STROKE)	TUBO ACQUA TUBO ACQUA (4 TEMPI)	TUBE D'EAU TUBE D'EAU (4 TEMPS)
45	REC23-43045	23-43045	CASQUILLO	INSULATOR	GHIERA	BAGUE
46	PAGB/T5783-M6X16	10-8248324	TORNILLO M6X16	BOLT M6X16	VITE M6X16	VIS M6X16



REF OEM

REC22-67892A05 22-67892A05

P. 345



VERSIONES MODERNAS
NEW VERSIONS
VERSIONE MODERNA
VERSION MODERNE

REF OEM

REC826134QAL 826134Q

P. 199



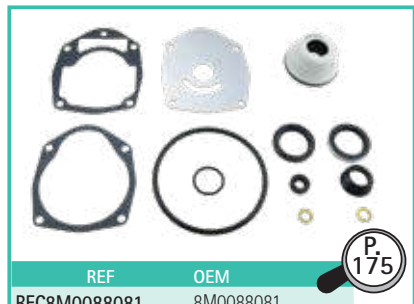
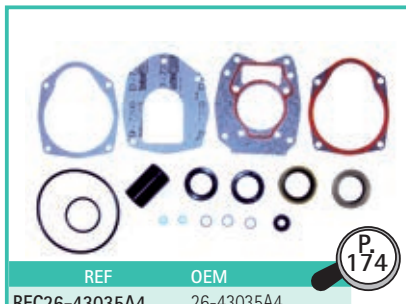
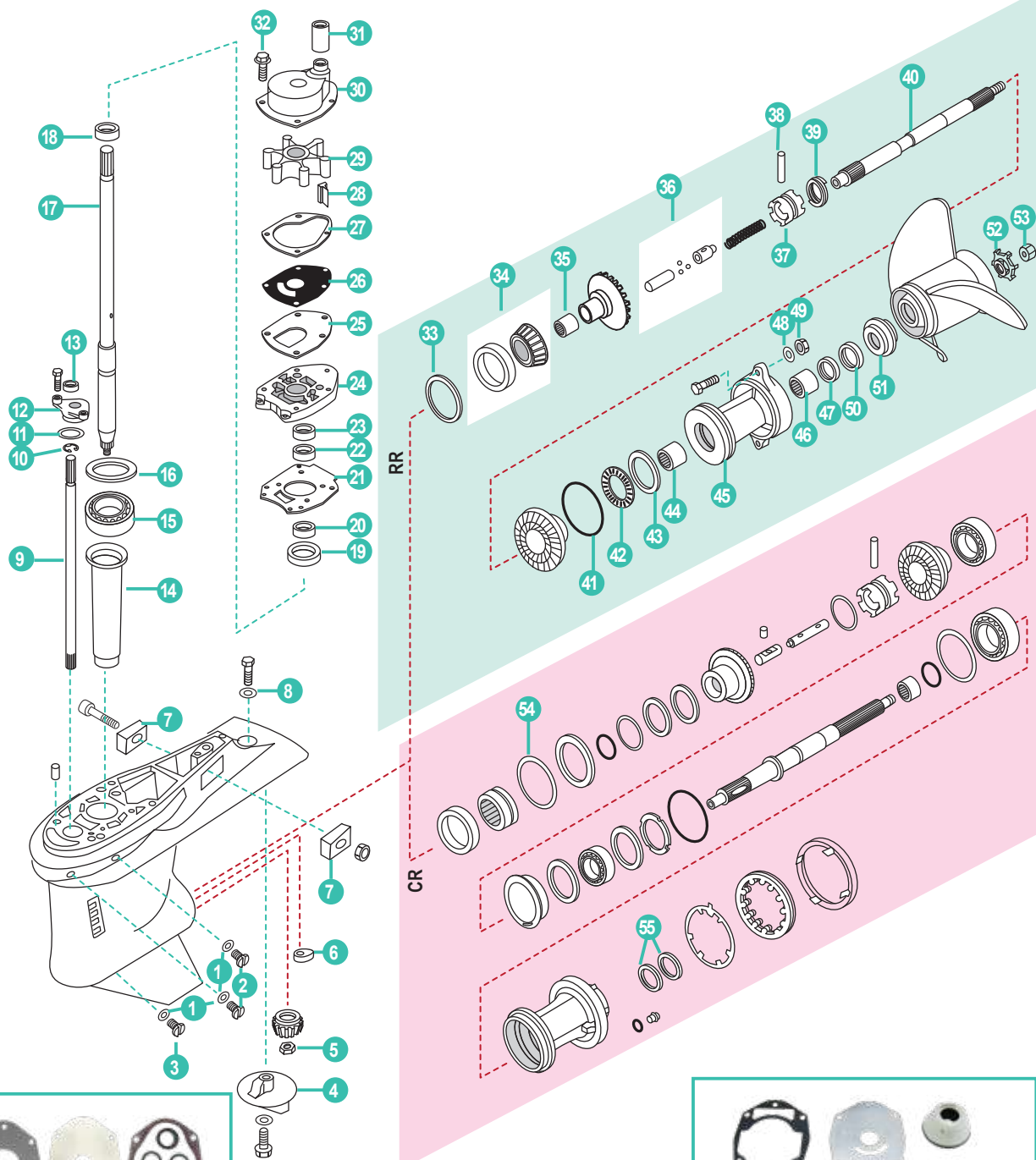
REF

REC80W90U3
REC80W90U6
RECGREU1
RECGREU12

P. 45

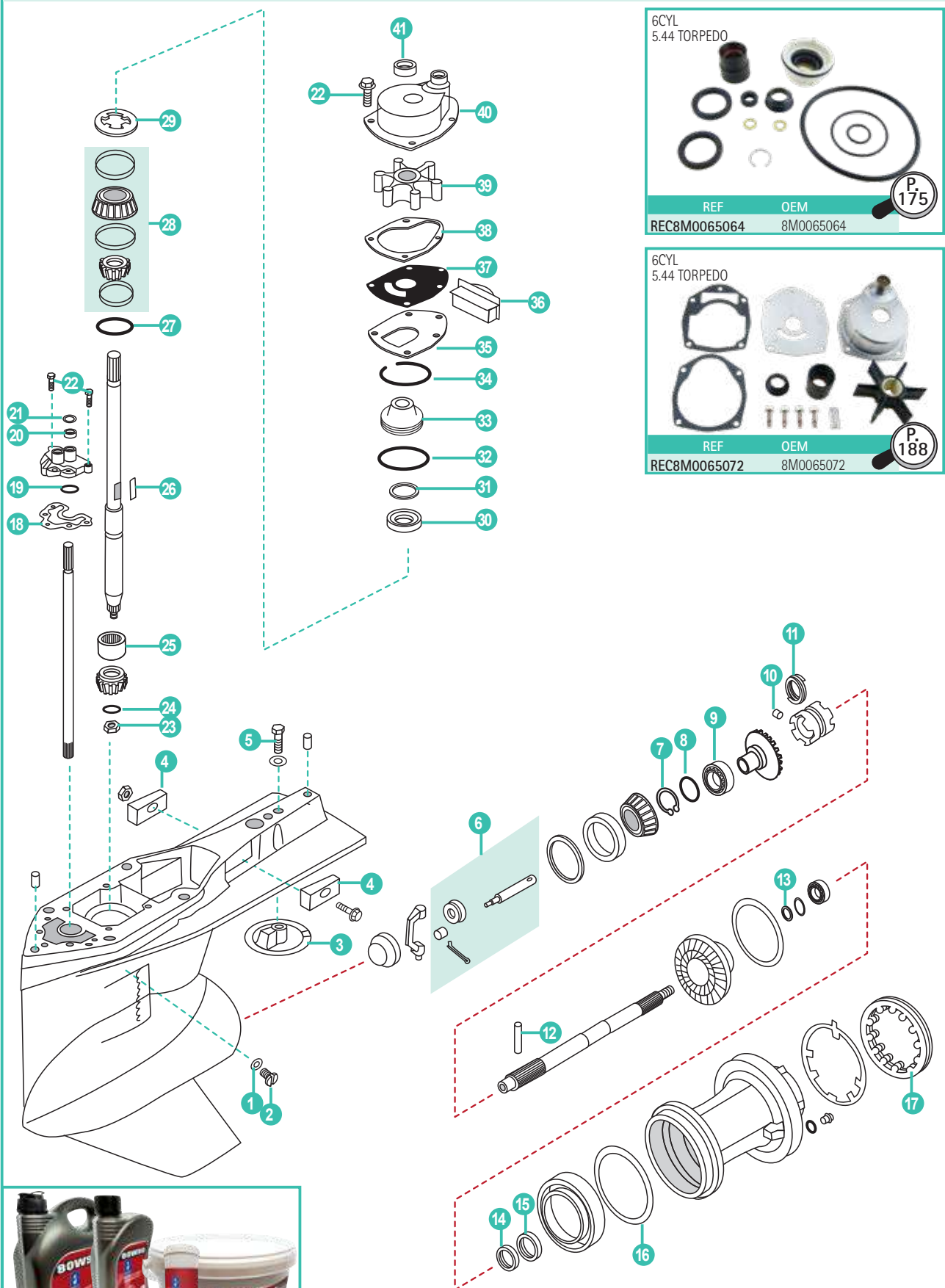
4T 30, 150 HP (1987+)
 STROKES Ø TORPEDO BOG FOOT 107.95 mm = 4.25"

2T 30 - 125 HP (3 & 4 CYL IN LINE)
 STROKES



	REF	OEM				
1	REC12-191833	12-19183-3	JUNTA	GASKET	GUARNIZIONE	JOINT
2	REC10-79953Q04	10-79953Q2	JUEGO TORNILLOS	SCREW KIT	KIT VITE	KIT DE VIS
3	REC22-67892A05	22-67892A1	TORNILLO DRENAJE	DRAINING SCREW	VITE DRENAGGIO	VIS DE VIDANGE
4	CM31640	31640Q4	ÁNODO ZINC	TRIM TAB ZINC	ANODO ZINCO	ANODE ZINC
	CM31640A	31640Q4	ÁNODO ALUMINIO	TRIM TAB ALUMINIUM	ANODO ALLUMINIO	ANODE ALUMINIUM
5	REC11-35921	11-35921	TUERCA PIÑÓN	PINION NUT	DADO PIGNONE	ÉCROU PIGNON
6	REC76039-4	76039-4	LEVA (3 DIENTES)	SHIFT CAM (3 JAW)	LEVA (3 DENTI)	CAME 3 DENTS
	REC850307	850307	LEVA (6 DIENTES)	SHIFT CAM (6 JAW)	LEVA (6 DENTI)	CAME 6 DENTS
7	CM826134	826134Q	ÁNODO ZINC	ANODE ZINC	ANODO ZINCO	ANODE ZINC
	CM826134A	826134Q	ÁNODO ALUMINIO	ANODE ALUMINIUM	ANODO ALLUMINIO	ANODE ALUMINIUM
8	REC12-45176	12-45176	ARANDELA	WASHER	RONDELLA	RONDELLE
9	REC853906A1	853906A1	EJE CAMBIO 20"	SHIFT SHAFT 20"	ASSE CAMBIO 20"	ARBRE CHANGEMENT 20"
	REC853908A1	853908A1	EJE CAMBIO 25"	SHIFT SHAFT 25"	ASSE CAMBIO 25"	ARBRE CHANGEMENT 25"
10	REC53-29641	53-29641	ARO RETENEDOR	RETAINING RING	O-RING	CLIPS
11	REC25-457101	25-45710	ARO TÓRICO	O-RING	O-RING	JOINT TORIQUE
12	REC23-43052A4	23-43052A4	CASQUILLO	BUSHING ASSEMBLY	GHIERA	BAGUE
13	REC26-8164641	26-816464-1	RETÉN ACEITE	OIL SEAL	PARAOLIO	JOINT SPI
14	REC43046	43046	MANGUITO ACEITE	OILER TUBE	TUBO OLIO	TUYAU D'HUILE
15	REC31-42677A1	31-42677A1	COJINETE	BEARING	CUSCINETTO	ROULEMENT
16	REC15-8M0063265	15-44492A1	KIT SUPLEMENTOS	SHIM SET	KIT SUPPLEMENTI	KIT ENTRETOISES
	REC45-858765T1	45-858765T1	EJE TRANSMISIÓN (20" 70-115 HP)	DRIVE SHAFT (20" 70-115 HP)	ASSE TRASMISSIONE (20" 70-115 HP)	ARBRE TRANSMISION (20" 70-115 HP)
	REC45-878575T1	45-878575T1	EJE TRANSMISIÓN (25" 70-115 HP)	DRIVE SHAFT (25" 70-115 HP)	ASSE TRASMISSIONE (25" 70-115 HP)	ARBRE TRANSMISION (25" 70-115 HP)
17	REC45-854808A1	45-854808A1	EJE TRANSMISIÓN (20" 30-50 HP)	DRIVE SHAFT (20" 30-50 HP)	ASSE TRASMISSIONE (20" 30-50 HP)	ARBRE TRANSMISION (20" 30-50 HP)
	REC45-859105A1	45-859105A1	EJE TRANSMISIÓN (20" 40-60 HP)	DRIVE SHAFT (20" 40-60 HP)	ASSE TRASMISSIONE (20" 40-60 HP)	ARBRE TRANSMISION (20" 40-60 HP)
	REC45-875222A1	45-875222A1	EJE TRANSMISIÓN (25" 40-60 HP)	DRIVE SHAFT (25" 40-60 HP)	ASSE TRASMISSIONE (25" 40-60 HP)	ARBRE TRANSMISION (25" 40-60 HP)
18	REC42461A1	42461A1	CASQUILLO	SLEEVE / RING KIT	GHIERA	BAGUE
19	REC26-43035	26-43035	RETÉN INFERIOR	SEAL LOWER	TENUTA INFERIORE	JOINT SPI INFERIEUR
20	REC26-43036	26-43036	RETÉN SUPERIOR	SEAL UPPER	TENUTA SUPERIORE	JOINT SPI SUPÉRIEUR
21	REC27-430472	27-43047-2	JUNTA	GASKET	GUARNIZIONE	JOINT
22	REC26-43035	26-43035	RETÉN ACEITE	OIL SEAL	PARAOLIO	JOINT SPI
23	REC26-43036	26-43036	RETÉN ACEITE	OIL SEAL	PARAOLIO	JOINT SPI
24	REC43055A4	43055A4	BASE BOMBA	PUMP BASE	BASE POMPA	BASE POMPE À EAU
25	REC27-430331	27-43033-1	JUNTA	GASKET	GUARNIZIONE	JOINT
26	REC8172761	817276-1	TAPA BOMBA	OUTER PLATE	COPERCHIO POMPA	PLAQUE DE POMPE A EAU
27	REC27-8172771	27-817277-1	JUNTA	GASKET	GUARNIZIONE	JOINT
28	REC28-8M0032833	28-43037	CHAVETA	KEY	CHIAVETTA	CLAVETTE
29	REC47-43026Q02	47-43026T2	IMPULSOR	IMPELLER	GIRANTE	TURBINE
30	REC817275A2	817275A2	BOMBA AGUA	WATER PUMP ASSEMBLY	POMPA ACQUA	POMPE D'EAU
31	REC43023	43023	TUBO AGUA (BLANCO)	WATER TUBE SEAL (WHITE)	TUBO ACQUA (BIANCO)	TUBE D'EAU (BLANCHE)
	REC43023-2	43023-2	TUBO AGUA (NEGRO)	WATER TUBE SEAL (BLACK)	TUBO ACQUA (NERO)	TUBE D'EAU (NOIR)
32	REC10-82684430	10-826844-30	TORNILLO	SCREW	VITE	VIS
33	REC15-44491A1	15-44491A1	KIT SUPLEMENTOS	SHIM SET	KIT SUPPLEMENTI	KIT ENTRETOISES
34	REC31-30894A1	31-30894A1	COJINETE	BEARING	CUSCINETTO	ROULEMENT
35	REC31-30895T	31-30895	COJINETE	BEARING	CUSCINETTO	ROULEMENT
36	REC850315A1	850315A1	KIT MUELLE BULON	SPRING PENCIL KIT	KIT MOLLE BULLONI	KIT BOULON DE RESSORT
37	REC52-850048T	52-850048T	SELECTOR (6 DIENTES)	CLUTCH DOG (6 JAW)	SELETTORE (6 DENTI)	CRABOT (6 DENTS)
38	REC17-8M0084681	17-30632	PASADOR	CROSS PIN	CHIAVETTA	PIN
39	REC24-30893	24-30893	MUELLE	SPRING	MOLLA	RESSORT
40	REC44-12238T	44-12238T	EJE HÉLICE (3 DIENTES)	PROP SHAFT (3 JAW)	ASSE ELICA (3 DENTI)	ARBRE D'HÉLICE (3 DENTS)
	REC44-850308	44-850308	EJE HÉLICE (6 DIENTES)	PROP SHAFT (6 JAW)	ASSE ELICA (6 DENTI)	ARBRE D'HÉLICE (6 DENTS)
41	REC310414	25-97386	ARO TÓRICO	O-RING	O-RING	TORIQUE
42	REC31-12576	31-12576	COJINETE	THRUST BEARING	CUSCINETTO	ROULEMENT
43	REC12-12577	12-12577	ARANDELA	THRUST WASHER	RONDELLA	RONDELLE
44	REC31-12578T	31-12578T	COJINETE	BEARING	CUSCINETTO	ROULEMENT
45	REC12596T2	12596T2	COJINETE DIÁBOLO	BEARING CARRIER	CUSCINETTO	DIABOLO
46	REC387247	31-30956	COJINETE	BEARING	CUSCINETTO	ROULEMENT
47	REC26-76868	26-76868	RETÉN ACEITE	OIL SEAL	PARAOLIO	JOINT SPI
48	REC12-855941	12-855941	ARANDELA	WASHER	RONDELLA	RONDELLE
49	REC11-401378	11-401378	TUERCA	NUT	DADO	ÉCROU
50	REC26-70081	26-70081	RETÉN ACEITE	OIL SEAL	PARAOLIO	JOINT SPI
51	REC13191Q01	13191A1	TOPE HÉLICE	THRUST HUB	FERMO PER ELICA	RONDELLE BUTÉE D'HÉLICE
52	REC90508-ZW1-003	14-816629Q	CIERRE HÉLICE	TAB WASHER	CHIUSURA ELICA	RONDELLE FREIN
53	REC90301-ZW1-003	11-52407Q1	TUERCA HÉLICE	PROP NUT	DADO ELICA	ÉCROU D'HÉLICE
			CONTRA ROTACIÓN	COUNTER ROTATION	CONTRO ROTANTE	CONTRE ROTATION
54	REC12-815481	815481	COJINETE	BEARING	CUSCINETTO	ROULEMENT
55	REC26-888483	888483	RETÉN	OIL SEAL	PARAOLIO	JOINT SPI

4T 135-300 HP VERADO 4 et 6 CYL 2006+
STROKES



6CYL
5.44 TORPEDO

REF	OEM
REC8M0065064	8M0065064

P 175

6CYL
5.44 TORPEDO

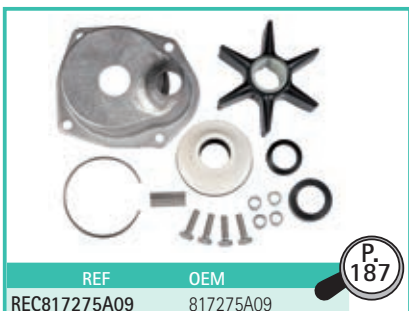
REF	OEM
REC8M0065072	8M0065072

P 188

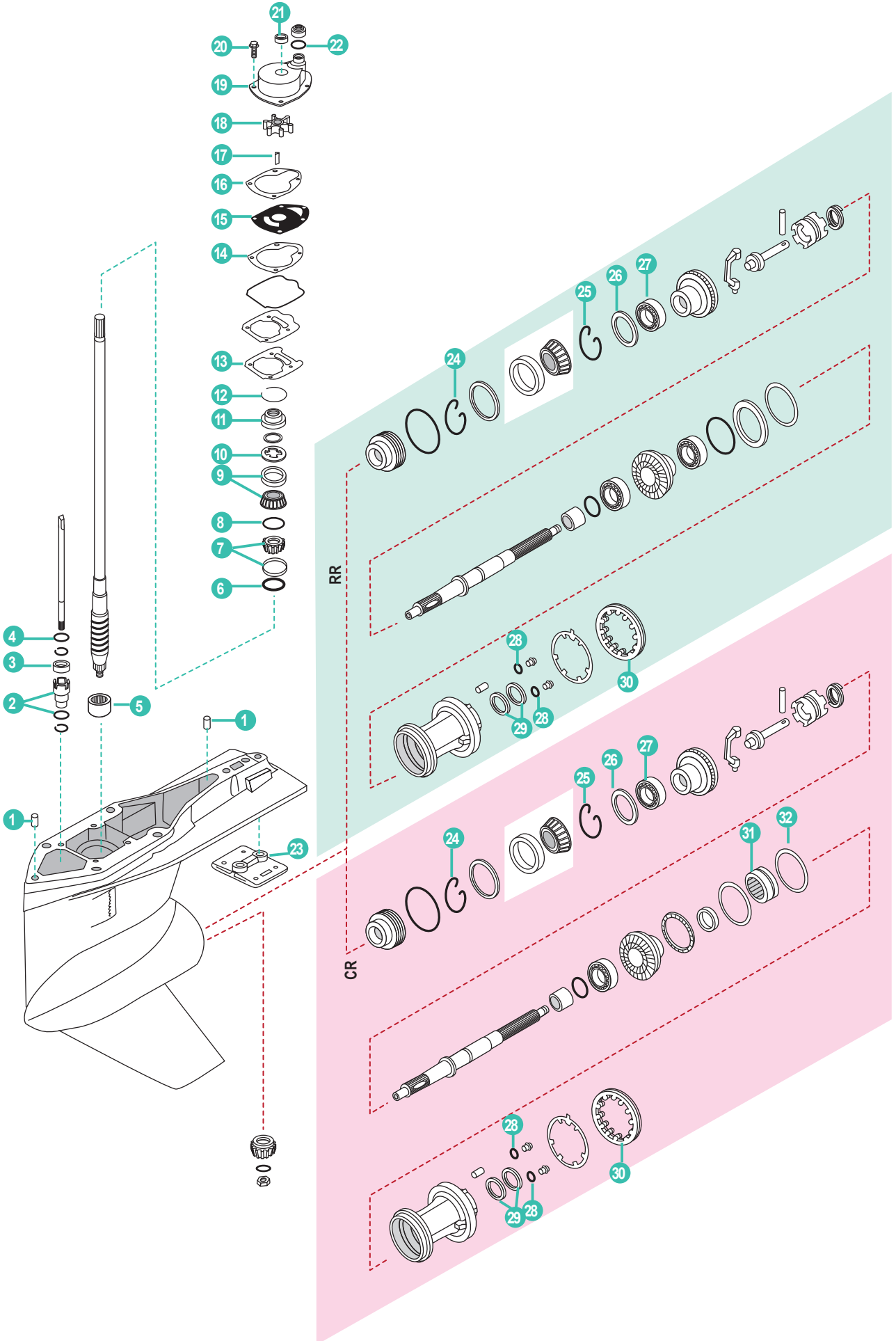
REF
REC80W90U3
REC80W90U6
RECGREU1
RECGREU12

P 45

	REF	OEM				
1	REC26-830749	26-830749	JUNTA	GASKET	GUARNIZIONE	JOINT DE VIDANGE
2	REC10-79953Q04	10-79953Q04	TORNILLO	BOLT	VITE	VIS DE VIDANGE
3	CM76214	76214Q5	ÁNODO	ANODIC PLATE	ANODO	ANODE
	CM762145A	76214Q5	ÁNODO ALUMINIO	ANODIC PLATE ALUMINUM	ANODO ALLUMINIO	ANODE ALUMINIUM
4	CM826134A	826134Q	ÁNODO ALUMINIO	ANODE ALUMINUM	ANODO ALLUMINIO	ANODE ALUMINIUM
	CM826134	826134Q	ÁNODO	ANODE	ANODO	ANODE
5	REC10-806327	10-806327	TORNILLO	SCREW	VITE	VIS
6	REC19755T7	19755T7	EJE KIT	SHIFT SPOOL	KIT ASSE	KTI ARBRE
7	REC53-8M0051043	53-8M0051043	CLIP	CLIP	CLIP	CLIP
8	REC8M0053823	8M0053823	ARANDELA	WASHER	RONDELLA	RONDELLE
9	REC31-884325T01	31-884325T01	RODAMIENTO	BEARING	CUSCINETTO	ROULEMENT
10	REC17-828356	17-828356	PASADOR	DETENT PIN	CHIAVETTA	PIN
11	REC24-30893	24-30893	MUELLE	SPRING	PERNO DI FERMO	RESSORT
12	REC17-8M0084681	17-30632	PASADOR	CROSS PIN	SPINOTTO	PIN
13	REC23-891919001	23-891919001	ESPACIADOR	SPACER	SPESSORE	ENTRETOISE
14	REC26-888483	26-888906	RETÉN ACEITE	OIL SEAL	PARAOLIO	JOINT SPI
15	REC26-888483	26-888483	RETÉN ACEITE	OIL SEAL	PARAOLIO	JOINT SPI
16	REC25-31534	26-896524	ARO TÓRICO	O-RING	O-RING	JOINT TORIQUE
17	REC8M2011027	79448	TUERCA CIERRE COLA	COVER NUT	RONDELLA CHIUSURA PIEDE	ÉCROU À CRENAUX POUR EMBASE
18	REC27-880729	27-880729	JUNTA	GASKET	GUARNIZIONE	JOINT
19	REC25-36318	25-896322	ARO TÓRICO	O-RING	O-RING	JOINT TORIQUE
20	REC26-8164641	26-816464-1	RETÉN ACEITE	OIL SEAL	PARAOLIO	JOINT SPI
21	REC12-77674	12-77674	ARANDELA	WASHER	RONDELLA	RONDELLE
22	REC10-816928	10-816928	TORNILLO M6X16	SCREW M6X16	VITE M6X16	VIS M6X16
23	REC11-35921	11-35921	TUERCA	NUT	DADO	ÉCROU
24	REC350038	12-92721	ARANDELA	WASHER	RONDELLA	RONDELLE
25	REC387817	31-42647A1	COJINETE	BEARING	CUSCINETTO	ROULEMENT
26	REC28-8M0032833	28-43037	CHAVETA	KEY	CHIAVETTA	CLAVETTE
27	REC15-38657A1	15-38657A1	SUPLEMENTOS	SHIM KIT	KIT SUPPLEMENTI	KIT ENTRETOISE
28	REC15-884327A02	15-884327A01	KIT RODAMIENTOS	BEARING KIT	KIT CUSCINETTO	KIT ROULEMENT
29	REC8245191	824519-1	RETENEDOR	RETAINER	RITENITORE	RETENUE
30	REC26-888921	26-888921	RETÉN ACEITE	OIL SEAL	PARAOLIO	JOINT SPI
31	REC26-888920	26-888920	RETÉN ACEITE	OIL SEAL	PARAOLIO	JOINT SPI
32	REC25-896523	25-896523	ARO TÓRICO	O-RING	O-RING	JOINT TORIQUE
33	REC8M0007131	888909A1	BASE BOMBA	PUMP BASE	BASE POMPA	BASE DE POMPE EAU
34	REC53-880719	53-880719	ARO RETENEDOR	RETAINING RING	FASCIA RITENITORA	CLIPS
35	REC27-430331	27-43033-1	JUNTA	GASKET	GUARNIZIONE	JOINT
36	REC821526001	821526001	RETEN DE GOMA	FILLER BLOCK	PARAOLIO GOMA	PROTECTION CAOUTCHOUC
37	REC8172761	817276-1	TAPA BOMBA	WEAR PLATE	COPERCHIO POMPA	PLAQUE DE POMPE
38	REC27-8172771	27-817277-1	JUNTA	GASKET	GUARNIZIONE	JOINT
39	REC47-43026Q02	47-43026T2	IMPULSOR	IMPELLER	GIRANTE	TURBINE
40	REC817275A1	817275A1	CUERPO BOMBA	PUMP HOUSING	CORPO POMPA	CORPS DE POMPE A EAU
41	REC26-816575A2	26-816575A2	RETÉN	OIL SEAL	PARAOLIO	JOINT SPI



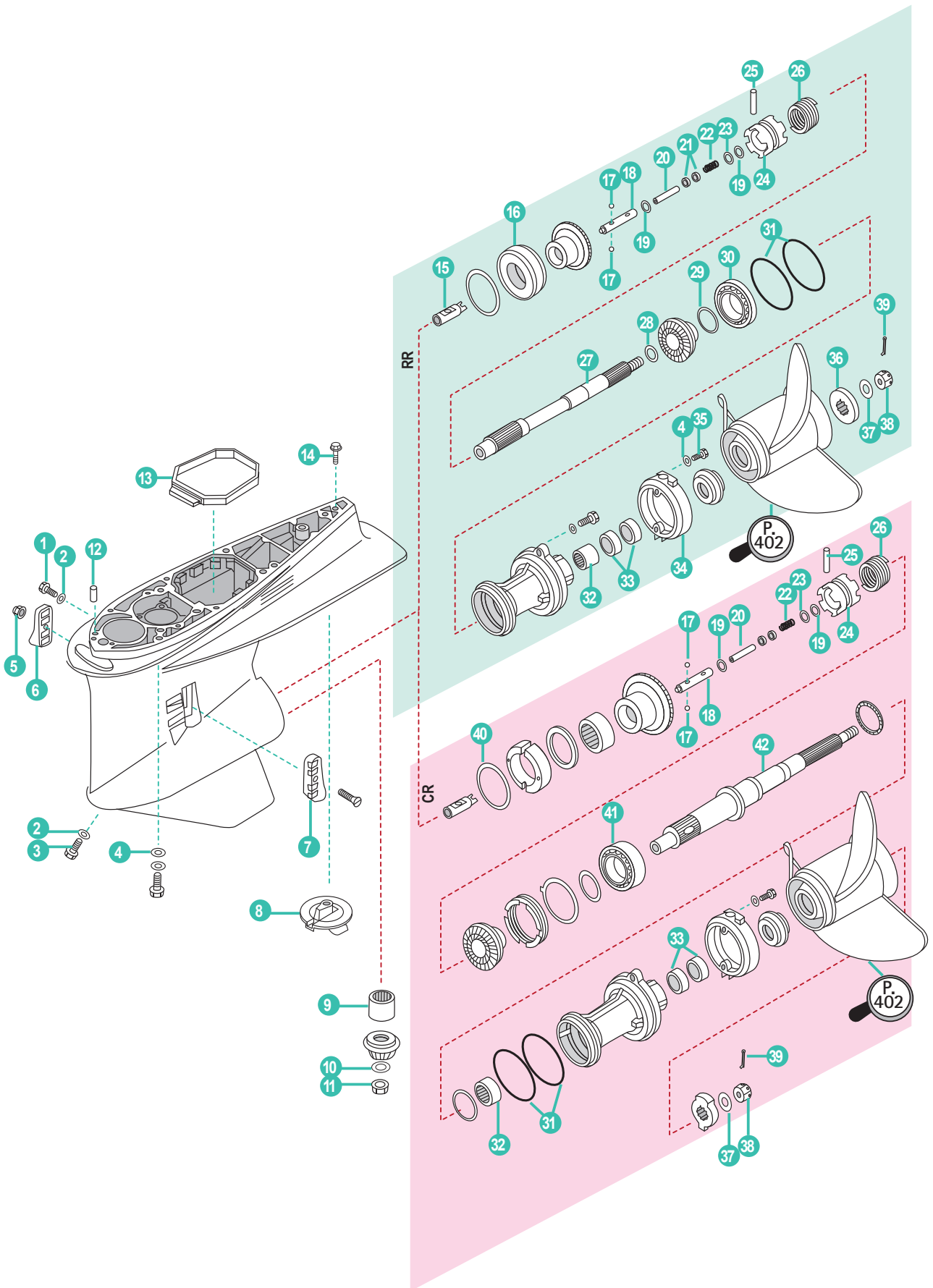
4T 175, 200, 225 HP (3.4L) V6 V8 NEW MODELS
 STROKES Ø TORPEDO 5.44



	REF	OEM				
1	REC17-43043	8M0084244	PIN	PIN	SPINOTTO	PIN
2	REC23-8M0142859	23-8M0142859	BUJE DESIGN I	BUSH DESIGN I	BOCCOLA DESIGN I	BAGUE DESIGN I
	REC23-8M0164967	23-8M0164967	BUJE DESIGN II	BUSH DESIGN II	BOCCOLA DESIGN II	BAGUE DESIGN II
3	REC26-8164641	8164641	RETÉN ACEITE	OIL SEAL	PARAOLIO	JOINT SPI
4	REC12-77674	77674	ARANDELA	WASHER	RONDELLA	RONDELLE
5	REC387247	42647A1	COJINETE	BEARING	CUSCINETTO	ROULEMENT
6	REC15-38657A1	8M0063268	GRUESO	SHIM	SPESSORE	CALE
7	REC31-77420A1	8M0146553	COJINETE	BEARING	CUSCINETTO	ROULEMENT
8	REC15-42637A1	8M0063267	GRUESO	SHIM	SPESSORE	CALE
9	REC31-36387A1	8M0146566	COJINETE	BEARING	CUSCINETTO	ROULEMENT
10	REC8245191	8245191	RETENEDOR	RETAINER	RITENITORE	RETENUE
11	REC8M0046297	8M0046297	BASE BOMBA AGUA	WATER PUMP BASE	BASE POMPA ACQUA	BASE DE POMPE A EAU
12	REC53-880719	880719	ARO RETENEDOR	RETAINING RING	FASCIA RITENITORA	CLIPS
13	REC27-8M0146938	8M0146938	JUNTA BASE BOMBA	PUMP BASE, GASKET	GUARNIZIONE BASE POMPA	JOINT BASE DE POMPE
14	REC27-8M0142616	8M0112903	JUNTA	GASKET	GUARNIZIONE	JOINT
15	REC8172761	8172761	PLACA	PLATE	PIASTRA	PLAQUE
16	REC27-8172771	8172771	JUNTA	GASKET	GUARNIZIONE	JOINT
17	REC28-8M0032833	8M0032833	CHAVETA	KEY	CHIAVETTA	CLAVETTE
18	REC47-43026Q02	43026T2	IMPULSOR	IMPELLER	GIRANTE	TURBINE
19	REC817275A1	817275A1	KIT BOMBA	WATER PUMP KIT	KIT POMPA ACQUA	KIT POMPE À EAU
20	PAGB/T5787-M6X20	1993720	TORNILLO M6X20	BOLT M6X20	VITE M6X20	VIS M6X20
21	REC26-8M0142851	26-8M0142851	RETÉN	RETAINER	RITENITORE	RETENUE
22	REC25-21836	21836	TÓRICA	O-RING	O-RING	JOINT TORIQUE
23	REC97-8M0137814AL	97-8M0137814	ÁNODO	ANODE	ANODO	ANODE
24	REC53-880719	880719	RETENEDOR	RETAINER	RITENITORE	RETENUE
25	REC53-8M0051043	8M0051043	RETENEDOR	RETAINER	RITENITORE	RETENUE
26	REC8M0053823	8M0053823	ARANDELA	WASHER	RONDELLA	RONDELL
27	REC31-884325T01	8M0142835	COJINETE	BEARING	CUSCINETTO	ROULEMENT
28	REC26-830749	830749	RETENEDOR	RETAINER	RITENITORE	RETENUE
29	REC26-888483	888483	RETÉN ACEITE	OIL SEAL	PARAOLIO	JOINT SPI
30	REC8M2011027	8M2000347	RETENEDOR	RETAINER	RITENITORE	RETENUE

			CONTRA ROTACIÓN	COUNTER ROTATION	CONTRO ROTANTE	CONTRE ROTATION
31	REC31-814653T	814653T	COJINETE	BEARING	CUSCINETTO	ROULEMENT
32	REC25-8M0142840	25-8M0142840	TÓRICA (TORPEDO 4.80)	O-RING (TORPEDO 4.80)	O-RING (TORPEDO 4.80)	TORIQUE (TORPEDO 4.80)
	REC25-8M0000190	25-8M0000190	TÓRICA (TORPEDO 5.44)	O-RING (TORPEDO 5.44)	O-RING (TORPEDO 5.44)	TORIQUE (TORPEDO 5.44)

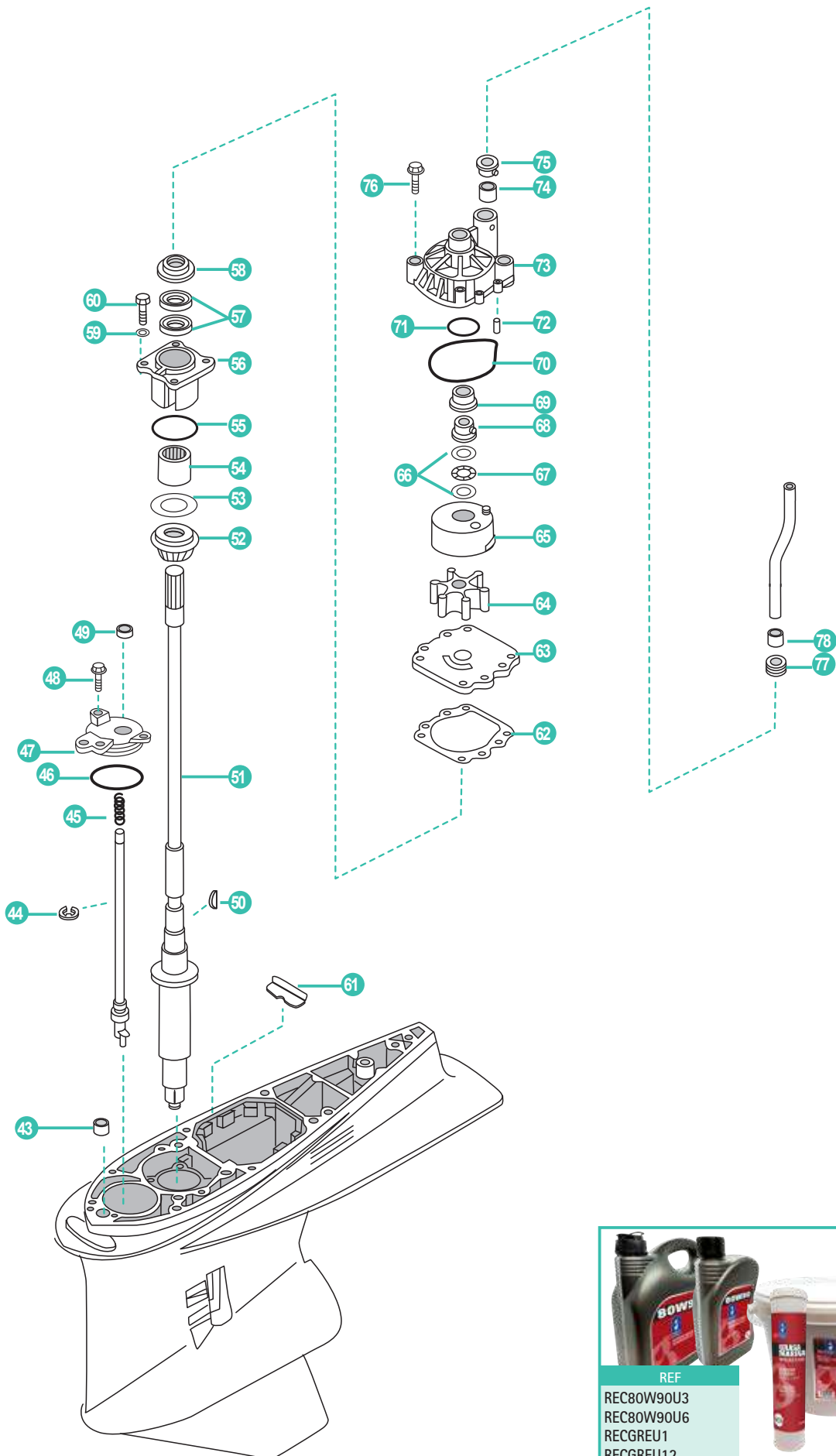




	REF	OEM				
	REC421-B25F	1623-888680T06	CONJUNTO INFERIOR RR (X)	COMPLETE GEARCASE RR (X)	PIEDE COMPLETO RR (X)	EMBASE COMPLETE (X)
	REC421-B30F	1623-888680T07	CONJUNTO INFERIOR RR (XL)	COMPLETE GEARCASE RR (XL)	PIEDE COMPLETO RR (XL)	EMBASE COMPLETE (XL)
	REC428-B25F	1623-888680T08	CONJUNTO INFERIOR CR (L)	COMPLETE GEARCASE CR (L)	PIEDE COMPLETO CR (L)	EMBASE COMPLETE CR (L)
	REC428-B30F	1623-888680T09	CONJUNTO INFERIOR CR (XL)	COMPLETE GEARCASE CR (XL)	PIEDE COMPLETO CR (XL)	EMBASE COMPLETE CR (XL)
1	REC90340-08002	81924M	TORNILLO DRENAJE	BOLT, DISCHARGING OIL	VITE DRENAGGIO	BOUCHON DE VIDANGE
2	REC90430-08020	81987	JUNTA	GASKET	GUARNIZIONE	JOINT
3	REC688-45341-00	95632M	TORNILLO DRENAJE	BOLT, DISCHARGING OIL	VITE DRENAGGIO	BOUCHON DE VIDANGE
4	PAGB/T97.1-8	814576M	ARANDELA	WASHER	RONDELLA	RONDELLE
5	PAGB/T6182-M5	8528165	TUERCA	LOCK NUT	DADO	ÉCROU
6	REC61A-45215-10	8887101	REJILLA TOMA AGUA ESTRIBOR	WATER SCREEN STARBOARD	GRIGLIA PRESA ACQUA TRIBORDO	GRILLE D'ENTREE D'EAU TRIBORD
7	REC61A-45214-10	888710	REJILLA TOMA AGUA BABOR	WATER SCREEN PORT	GRIGLIA PRESA ACQUA BABORDO	GRILLE D'ENTREE D'EAU BABORD
8	CM61A-45371-00A	888712	ÁNODO	ANODE	ANODO	ANODE
9	REC93311-83280	888681	COJINETE	BEARING	CUSCINETTO	ROULEMENT
10	REC90201-16M00	88838012	ARANDELA	WASHER	RONDELLA	RONDELLE
11	REC90170-16M19	8813141	TUERCA	LOCK NUT	DADO	ÉCROU
12	REC93608-12M05	8886631	PASADOR	PIN	SPINOTTO	PIN
13	REC69J-45375-00	8886653	GOMA ESCAPE COLA	EXHAUST DAMPER	GOMMA SCARICO	JOINT D'ÉCHAPPEMENT
14	PAT85-00000012	82801M	TORNILLO	SCREW	VITE	VIS
15	REC61A-45641-02	888700	CAMBIO	SHIFTER	CAMBIO	SHIFTER
16	REC93332-000W1	8886811	COJINETE	BEARING	CUSCINETTO	ROULEMENT
17	REC93501-04011	82346M	ESFERA	BALL	SFERA	BILLE
18	REC61A-45634-01	888701	PASADOR DESPLAZABLE	SLIDE SHIFT	SPINOTTO SCORREVOLE	PIN REGLABLE
19	REC90183-02M03	8813142	TUERCA DE RESORTE	SPRING NUT	DADO MOLLA	RONDELLE FREIN
20	REC6H1-45668-00	888704	EJE	FREE SHAFT	ASSE	ARBRE
21	REC61A-45635-00	888705	ÉMBOLO DE CAMBIO	SHIFT PLUNGER	GOMMINI	SHIFT
22	REC90501-10M77	8887031	RESORTE DE COMPRESIÓN	SPRING	MOLLA	RESSORT
23	REC90201-02M00	8043051	ARANDELA PLANA	WASHER	RONDELLA	RONDELLE
24	REC69J-45631-00	888702	EMBRAGUE DE GARRA	CLUTH	SELETORE	CRABOT
25	REC61A-45632-00	8886331	PASADOR	PIN	SPINOTTO	LEVIER
26	REC61A-45633-00	888703	ANILLO DEL PASADOR	ANNULAR SPRING, CLUTCH	ANELLO	RESSORT
27	REC69J-45611-00	888699	EJE	SHAFT	ASSE	ARBRE D'HELICE
28	REC90201-31M00	8043052	ARANDELA PLANA	WASHER	RONDELLA	RONDELLE
29	REC61A-45577-00/60-0	888714A1	KIT GRUESOS (0.10-0.50 mm)	KIT SHIM (0.10-0.50 mm)	KIT SPESSORE (0.10-0.50 mm)	KIT CALES (0.10 - 0.50 mm)
30	REC93306-210U0	8886814	COJINETE	BEARING	CUSCINETTO	ROULEMENT
31	REC93211-04384	8814373	TÓRICA	O-RING	O-RING	JOINT TORIQUE
32	REC93315-43061	8886815	COJINETE	BEARING	CUSCINETTO	ROULEMENT
33	REC93101-30M17	8886941	RETÉN DE ACEITE	OIL SEAL	PARAOILIO	JOINT SPI
34	REC69J-45361-00-8D	888708	FUNDA INFERIOR	CAO LOWER CASING	COVER INFERIORE	COUVERCLE INFERIEUR
35	PAF4-04000001	881816	PERNO	STUD	BULLONE	BOULON
36	REC688-45997-00	8539481	ESPACIADOR AP	DISTANCE WASHER	DISTANZIALE	BRIDE
37	REC92990-18200	887972	ARANDELA PLANA	WASHER	RONDELLA	RONDELLE
38	REC90171-18M04	887973	TUERCA	LOCK NUT	DADO	ÉCROU
39	REC91490-30025	887974	PASADOR	PIN	SPINOTTO	CLAVETTE

			CONTRA ROTACIÓN	COUNTER ROTATION	CONTRO ROTANTE	CONTRE ROTATION
40	REC61A-45567-00/60-0	888713A1	KIT GRUESOS (0.10-0.50 mm)	KIT SHIM (0.10-0.50 mm)	KIT SPESSORE (0.10-0.50 mm)	KIT CALES (0.10 - 0.50 mm)
41	REC93332-00048	8886819	COJINETE	BEARING	CUSCINETTO	ROULEMENT
42	REC69K-45611-00	88869910	EJE	SHAFT	ASSE	ARBRE D'HELICE

4T 225 EFI (0T653945+)
STROKES



	REF	OEM				
43	REC663-44366-00	81426M	RETEN TUBO AGUA	DAMPER, WATER SEAL	GHIERA	JOINT DE TUBE D'EAU
44	REC99001-08600-00	82334M	CLIP	CLIP	CLIP	CLIP
45	REC90501-11M10-00	8266901	RESORTE DE COMPRESIÓN	SPRING	MOLLA	RESSORT
46	REC93210-65752-00	8255791	TÓRICA	O-RING	O-RING	JOINT TORIQUE
47	REC61A-45321-01	888683	TAPA CAMBIO	SHIFT SHAFT COVER	SHIFT SHAFT COVER	COUVERCLE ARBRE DE TRANSMISSION
48	REC90119-06M10	85277616	TORNILLO CON ARANDELA	SCREW WITH WASHER	VITE CON RONDELLA	VIS AVEC RONDELLE
49	REC93106-09014	82257M	RETÉN DE ACEITE	OIL SEAL	PARAOLIO	ROULEMENT
50	REC90280-04M05	8813421	CUÑA	KEY WOODRUFF	CHIAVETTA	CLAVETTE
51	REC63P-45501-00	888696	EJE TRASMISION 20"	DRIVE SHAFT 20"	ALBERO DI TRASMISSIONE 20"	ARBRE TRASMISION 20"
	REC63P-45501-10	8886961	EJE TRASMISION 25"	DRIVE SHAFT 25"	ALBERO DI TRASMISSIONE 25"	ARBRE TRASMISION 25"
52	REC93341-93020	8886813	COJINETE	BEARING	CUSCINETTO	CLAVETTE
53	REC61A-45587-00/60-0	888715A1	KIT GRUESOS (0.10-0.50 mm)	KIT SHIM (0.10-0.50 mm)	KIT SPESSORE (0.10-0.50 mm)	KIT CALES (0.10 - 0.50 mm)
54	REC93317-330U2	8886812	COJINETE	BEARING	CUSCINETTO	ROULEMENT
55	REC93210-54534	8814372	TÓRICA	O-RING	O-RING	JOINT TORIQUE
56	REC61A-45331-00-94	888693	DIÁBOLO	GEAR HOUSING	DIABOLO	DIABOLO
57	REC93101-28M16	888694	RETÉN DE ACEITE	OIL SEAL	PARAOLIO	JOINT SPI
58	REC6E5-45344-00	888695	CUBIERTA SELLO DE ACEITE	RETAINER	COPERCHIO PARAOLIO	RETENUE
59	PAGB/T97.1-8		ARANDELA	WASHER	RONDELLA	RONDELLE
60	PAGB/T5783-M8X25	8878272	PERNO	STUD	BULLONE	BOULON
61	REC61A-45376-00-94	888682	GUÍA SELLO DE GOMA	GUIDE	GUIDE	GUIDE
62	REC6E5-44315-A0	888692	JUNTA	GASKET	GUARNIZIONE	JOINT
63	REC6G5-44323-00	888691	TAPA BOMBA	OUTER PLATE	COPERCHIO POMPA	PLAQUE DE POMPE À EAU
64	REC6E5-44352-01	888689	TURBINA	IMPELLER	GIRANTE	TURBINE
65	REC61A-44322-02	888687	TAPA, BOMBA AGUA	COVER, INNER WATER PUMP	COPERCHIO, POMPE ACQUA	INSERT DE POMPE À EAU
66	REC90201-22M01	8883632	ARANDELA	WASHER	RONDELLA	RONDELLE
67	REC90206-22M19	8556822	ARANDELA ONDULADA	WAVE WASHER	RONDELLA ONDULATA	RONDELLE
68	REC61A-45538-00	888690	ESPACIADOR	SPACER	SPESSORE	ENTRETOISE
69	REC61A-45527-00	8886901	CASQUILLO CUERPO BOMBA	COLLAR	BOCCOLA CORPO POMPA	BAGUE POMPE À EAU
70	REC93210-86M38	8255792	TÓRICA	O-RING	O-RING	JOINT TORIQUE
71	REC93210-37160	8814371	TÓRICA	O-RING	O-RING	JOINT TORIQUE
72	REC93606-12019	82364M	PASADOR	PIN	SPINOTTO	PIN
73	REC61A-44311-00	888686T	CUERPO BOMBA AGUA	HOUSING, WATER PUMP	CORPO POMPA	CORPS DE POMPE À EAU
74	REC6E5-44365-00	8886652	GOMA DEL SELLO DE AGUA	DAMPER WATER TUBE	GUARNIZIONE	BAGUE DE TUBE D'EAU
75	REC6E5-44312-00	888688	CUBIERTA CAJA DE BOMBA DE AGUA	WATER PUMP COVER	COPERCHIO POMPA ACQUA	BAGUE DE POMPE À EAU
76	REC90119-08M14	8814231	TORNILLO CON ARANDELA	SCREW WITH WASHER	VITE CON RONDELLA	VIS AVEC RONDELLE
77	REC6E5-44366-00	8886651	GOMA DEL SELLO DE AGUA	DAMPER WATER TUBE	GUARNIZIONE	BAGUE DE TUBE D'EAU
78	REC6E5-44365-00	8886652	GOMA TUBO AGUA	DAMPER WATER TUBE	GOMMA TUBO ACQUA	BAGUE DE TUBE D'EAU



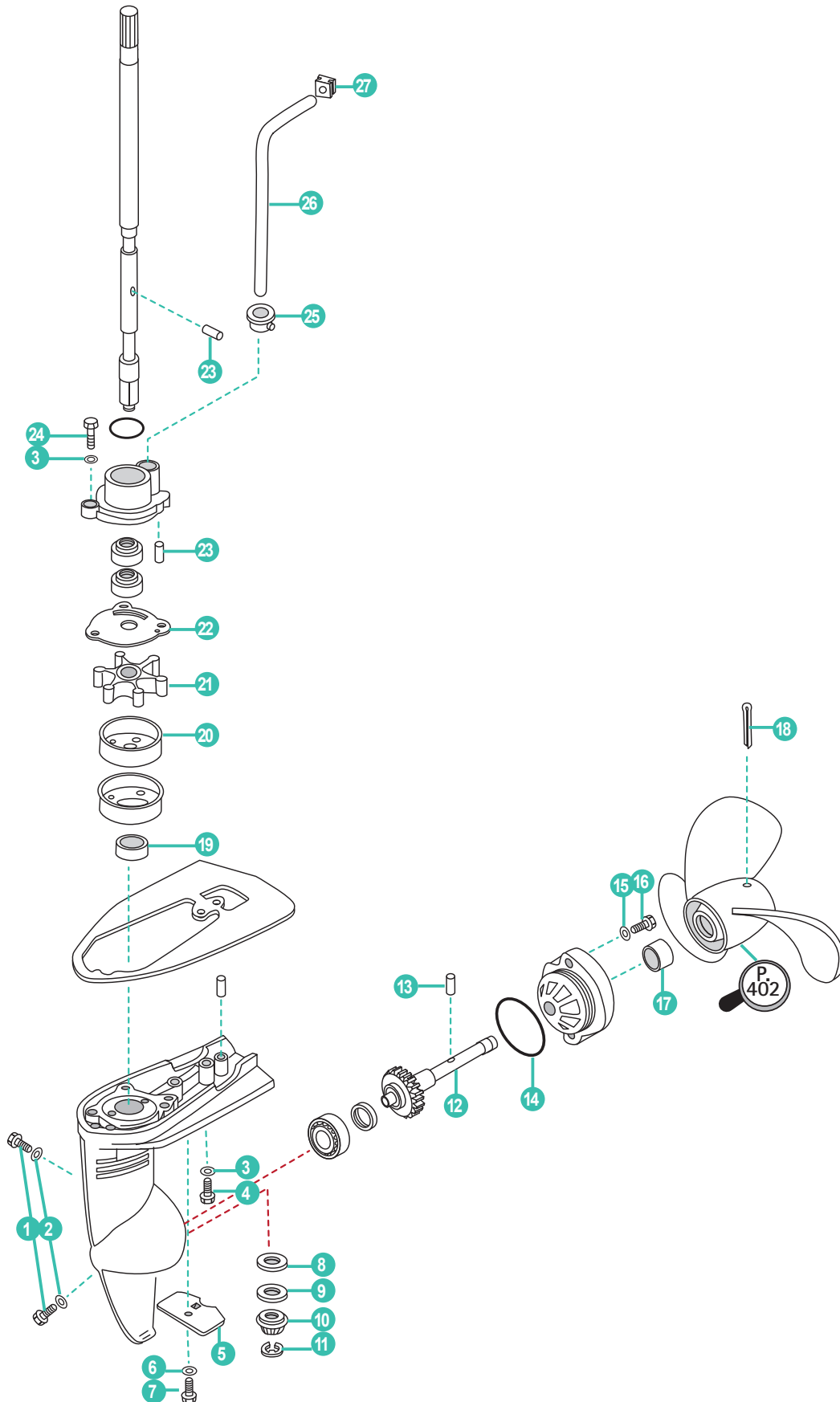
DESPIECE COLAS
2 TIEMPOS

GEAR CASE PARTS
2 STROKES

PARTI PIEDI
DE 2 TEMPI

PIECES D'EMBASES DE 2
TEMPS

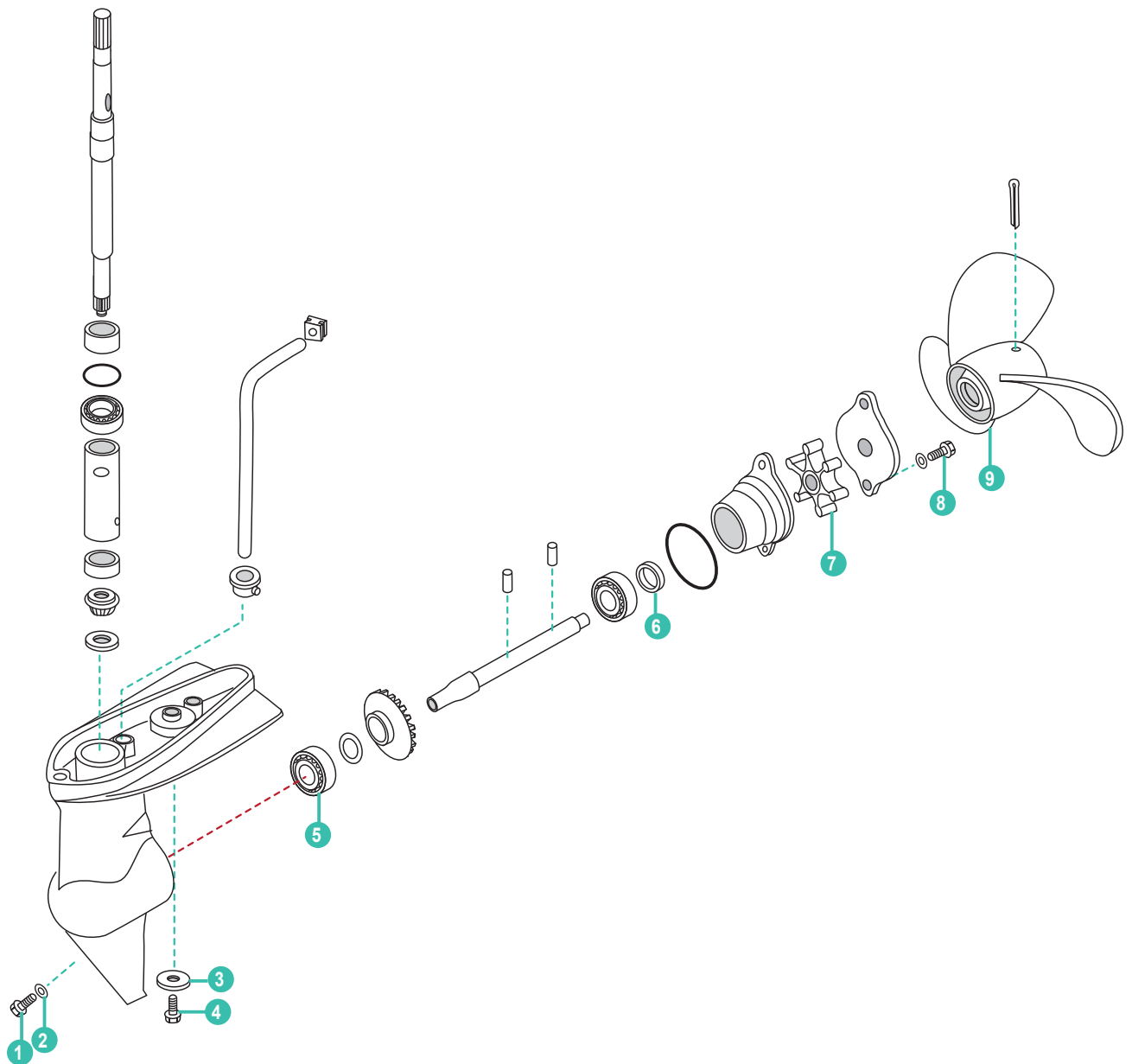
2T 2 HP
STROKES 2B - (6A1-000101+)



	REF	OEM				
1	REC90340-08002	22-81924M	TORNILLO DRENAJE	BOLT, DISCHARGING OIL	VITE DRENAGGIO	BOUCHON DE VIDANGE
2	REC90430-08020	27-81987M	JUNTA	GASKET	GUARNIZIONE	JOINT DE VIDANGE
3	PAGB/T97.1-8	12-82214M	ARANDELA	WASHER	RONDELLA	RONDELLE
4	PAGB/T5783-M6X30	10-83285M	TORNILLO	BOLT	VITE	VIS
5	CM6L5-45251-02	810945M	ÁNODO ZINC	ANODE	ANODO ZINCO	ANODE
6	PAGB/T861.1-87	12-82214M	ARANDELA	WASHER	RONDELLA	RONDELLE
7	PAGB/T5783-M6X35	10-91772M	TORNILLO	BOLT, FLANGE	VITE	VIS
8	PAF2.6-03000017	12-80404M	GRUESO	SHIM	SPESSORE	CALE
9	PAF4-03000006	12-81875M	ARANDELA	WASHER	RONDELLA	RONDELLE
10	REC646-45551-00	43-80405M	PIÑÓN ATAQUE	INITIATIVE GEAR	MARCIA INIZIATIVA	PIGNON D'ATTAQUE
11	PAGB/T896-86	53-82331M	CLIP	CIRCLIP	CLIP	CLIP
12	REC646-45560-00	43-80406M	ENGRANAJE CON EJE	GEAR WITH SHAFT	IGRANAGGIO CON ASSE	PIGNON
13	REC90250-03M10	17-81896M	PASADOR SEGURIDAD	PIN	SPINOTTO	LEVIER
14	REC93210-42101	25-14175M	ARO TÓRICA	O-RING	O-RING	JOINT TORIQUE
15	PAGB/T97.1-6	12-82214M	ARANDELA	WASHER	RONDELLA	RONDELLE
16	PAGB/T5783-M6X16	10-84368M	TORNILLO	BOLT	VITE	VIS
17	REC93103-10052	26-82250M	RETÉN	OIL SEAL	PARAOLIO	JOINT SPI
18	REC91490-30040	18-82134M	PASADOR ALETAS	PIN	SPINOTTO	PIN
19	REC93103-11051	26-82251M	RETÉN	OIL SEAL	PARAOLIO	JOINT SPI
20	REC646-44322-00	80393M	CASQUILLO INOX. BOMBA	INSERT	GHIERA INOX. POMPA	INSERT DE POMPE À EAU
21	REC646-44352-01	47-80395M	IMPULSOR	IMPELLER	GIRANTE	TURBINE
22	REC646-44322-00	80394M	PLATO BOMBA AGUA	OUTER PLATE	PIASTRA POMPA ACQUA	PLAQUE DE POMPE À EAU
23	PAF2.6-03000013	17-82356M	PIN	PIN	SPINOTTO	PIN
24	PAGB/T5783-M5X16	10-92521M	TORNILLO	BOLT	VITE	VIS
25	REC646-44366-01	26-80398M	RETÉN TUBO AGUA	SEAL WATER PIPE	ANELLO TUBO ACQUA	RETENUE TUBE D'EAU
26	REC6A1-44361-00	32-80396M	TUBO AGUA	TUBE, WATER	TUBO ACQUA	TUBE D'EAU
27	REC646-44365-00	26-80397M	RETÉN TUBO DE AGUA	I-SHAPED RUBBER BAND	ANELLO TUBO ACQUA	RETENUE TUBE D'EAU

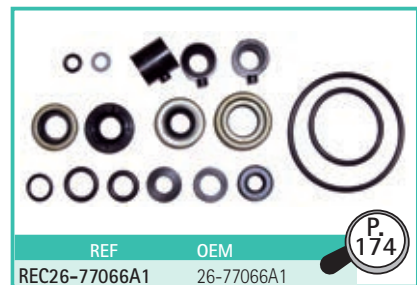
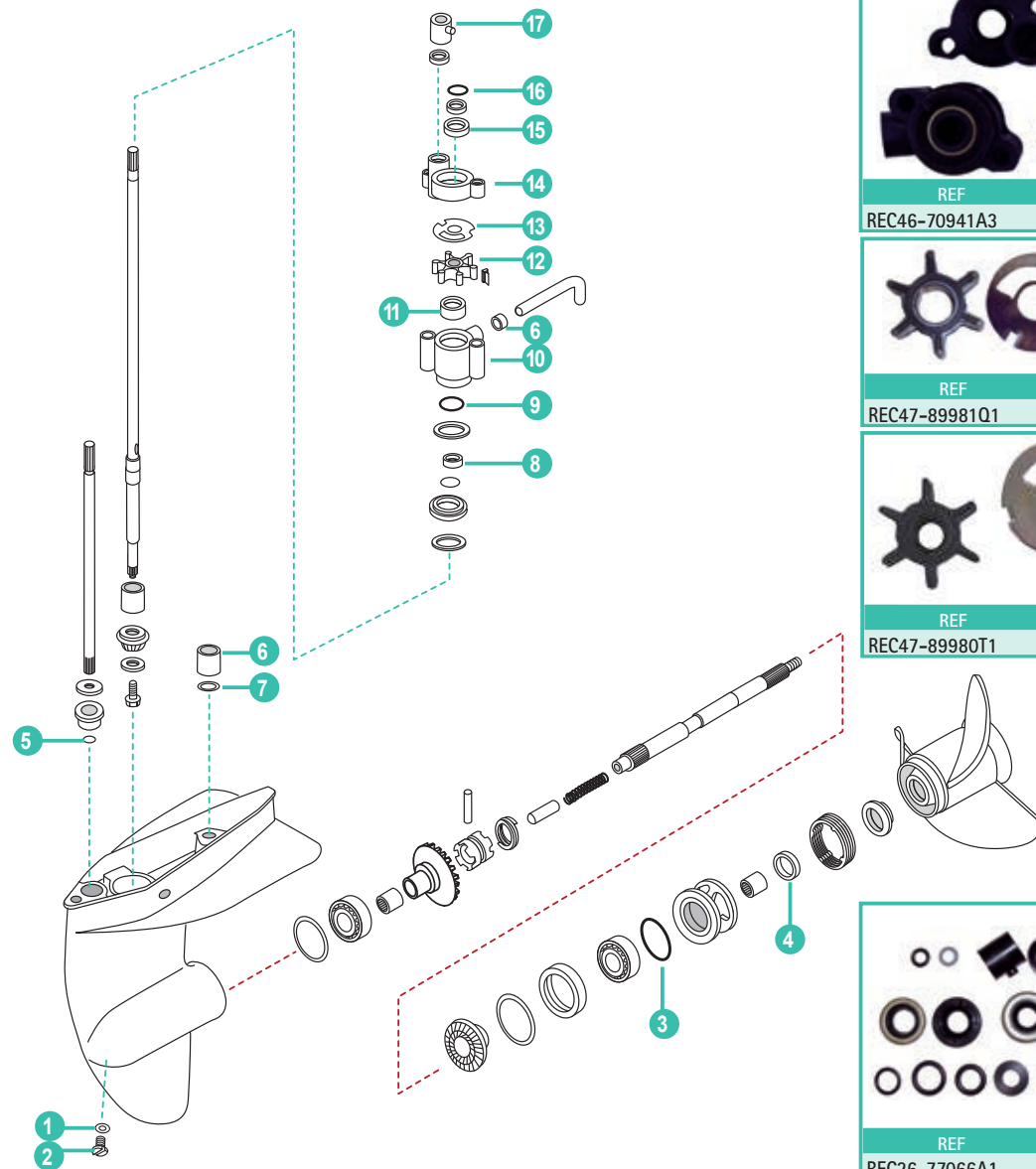


2T 2, 2.5 HP
STROKES

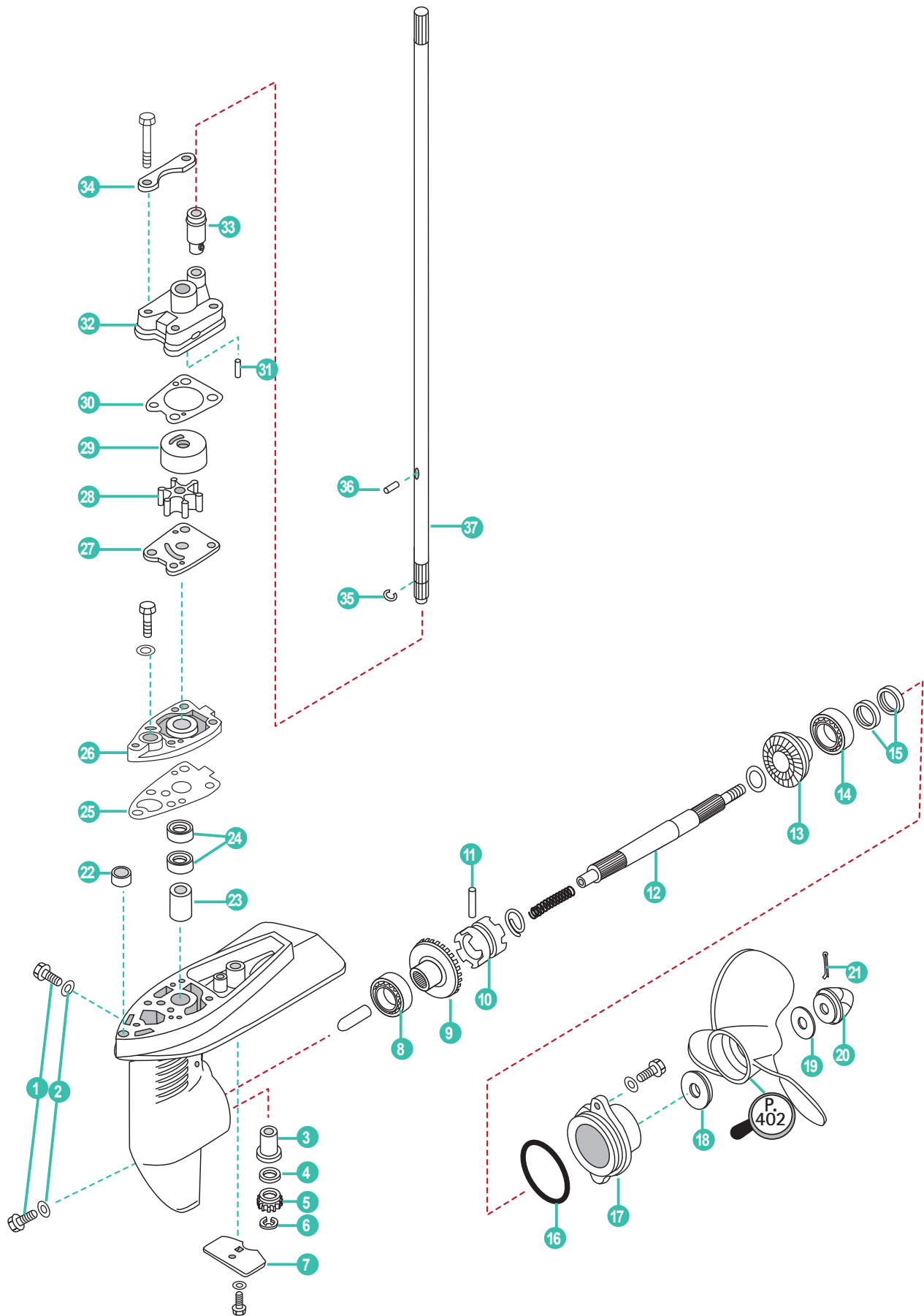


	REF	OEM				
1	REC90340-08002	953683	TORNILLO DRENAJE	BOLT, DISCHARGING OIL	VITE DRENAGGIO	BOUCHON DE VIDANGE
2	REC90430-08020	95220	JUNTA	GASKET	GUARNIZIONE	JOINT DE VIDANGE
3	TEN00824	823913Q	ÁNODO ZINC	ANODE	ANODO ZINCO	ANODE
4	PAGB/T5783-M6X16	16832	TORNILLO M6X16	BOLT M6X16	VITE M6X16	VIS M6X16
5	REC30-95347	95347	COJINETE	BEARING	CUSCINETTO	ROULEMENT
6	PAF8-04000101	95348	RETÉN ACEITE	OIL SEAL	PARAOLIO	JOINT SPI
7	REC47-952892	952892	IMPULSOR	IMPELLER	GIRANTE	TURBINE
8	PAGB/T5787-M6X20	167051	TORNILLO M6X20	BOLT M6X20	VITE M6X20	VIS M6X20
9	SOL0001-073-06P	815083	HÉLICE	PROPELLER	ELICA	HÉLICE

2T 3.9, 4, 4.5, 7.5, 9.8 HP (1975-86)
STROKES



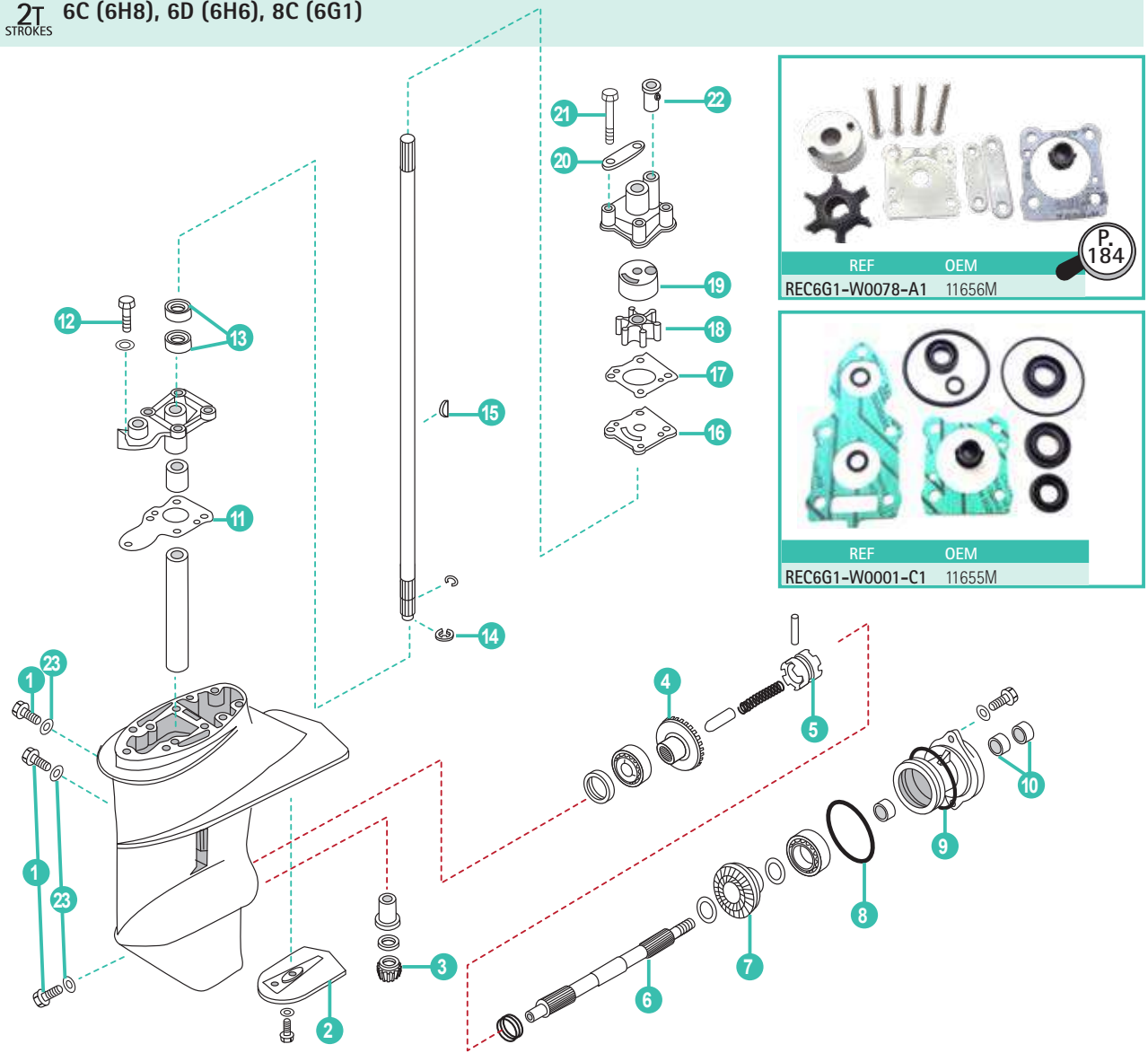
	REF	OEM				
1	REC12-191833	12-20260	JUNTA	GASKET	GUARNIZIONE	JOINT DE VIDANGE
2	REC10-79953Q04	10-79953Q2	JUEGO TORNILLO	SCREW SET	KIT VITE	VIS DE VIDANGE
3	REC25-30529	25-30529	ARO TÓRICO	O-RING	O-RING	JOINT TORIQUE
4	REC26-66022	26-66022	RETÉN ACEITE	OIL SEAL	PARAOLIO	JOINT SPI
5	REC303347	25-26802	ARO TÓRICO	O-RING	O-RING	JOINT TORIQUE
6	REC26-33613	26-33613	RETÉN	SEAL	TENUTA	RETIENUE
7	REC23-86215	23-86215	ESPACIADOR	SPACER	SPESSORE	ENTRETOISE
8	REC26-897153	26-96063	RETÉN ACEITE BASE BOMBA	OIL SEAL (FOR REC46-92970A1	PARAOLIO BASE	JOINT SPI,
			PUMP BASE)	POMPA REC46-92970A1	BASE POMPA REC46-92970A1	BASE POMPA REC46-92970A1
			RETÉN ACEITE BASE BOMBA	OIL SEAL (FOR REC46-70941T01	PARAOLIO BASE	JOINT SPI,
			PUMP BASE)	POMPA REC46-70941T01	BASE POMPA REC46-70941T01	BASE POMPA REC46-70941T01
9	REC309731	25-29439	ARO TÓRICO	O-RING	O-RING	TORIQUE
10	REC46-70941T01	46-70941A1	BASE BOMBA USAR CON	PUMP BASE (USE WITH	BASE POMPA DA UTILIZZARE	BASE POMPA, USER AVEC LA
			IMPULSOR REC47-89981	REC47-89981 IMPELLER)	CON GIRANTE REC47-89981	TURBINE REC47-89981
11	REC70977T	70977	TAPA BOMBA	PUMP CUP	COPERCHIO POMPA	COUVERCLE POMPA
12	REC47-89980	47-89980	IMPULSOR (0.438 I.D.)	IMPELLER (0.438 I.D.)	GIRANTE (0.438 I.D.)	TURBINE (0.438 I.D.)
	REC47-89981	47-89981	IMPULSOR (0.456 I.D.)	IMPELLER (0.456 I.D.)	GIRANTE (0.456 I.D.)	TURBINE (0.456 I.D.)
13	REC46895	46895	TAPA BOMBA	WEAR PLATE	COPERCHIO POMPA	PLAQUE DE POMPE A EAU
14	REC93224A1	93224A1	CUERPO BOMBA	PUMP HOUSING	CORPO POMPA	CORPS DE POMPE A EAU
15	REC26-30913	26-30913	RETÉN ACEITE	OIL SEAL	PARAOLIO	JOINT SPI
16	REC3852045	25-62704	ARO TÓRICO	O-RING	O-RING	JOINT TORIQUE
17	REC26-36558	26-36558	GRUESO	GROMMET	SPESSORE	ENTRETOISE



	REF	OEM				
1	REC90340-08002	22-81924M	TAPÓN ACEITE	PLUG, OIL	TAPPO OLIO	BOUCHON REMPLISSAGE D'HUILE
2	REC90430-08020	27-81987	JUNTA	GASKET	GUARNIZIONE	JOINT
3	REC6E0-45317-00	23-95477M	CASQUILLO EJE	BUSHING	CAPPUCCIO ASSE	BAGUE D'ARBRE
4	PAF4-03000006	12-96311M	ARANDELA	WASHER	RONDELLA	RONDELLE
5	REC6E0-45551-00	43-96310M	PIÑÓN ATAQUE	INITIATIVE GEAR	MARCIA INIZIATIVA	PIGNON D'ATTAQUE
6	PAGB/T896-86	53-82331M	CIRCLIP	CIRCLIP	CIRCLIP	CIRCLIP
7	CM6L5-45251-02	810945M	ÁNODO	ZINC ANODE	ANODO ZINCO	ANODE
8	PAGB/T276-6004C2	30-82291T	RODAMIENTO	BEARING	CUSCINETTO	ROULEMENT
9	REC6E0-45560-00	43-96312M	PIÑÓN MARCHA AVANTE	POSITIVE GEAR ASSY	PIGNONE MARCIA AVANTI	PIGNON DE MARCHE AVANT
10	REC6E0-45631-00	52-96313M	DESPLAZABLE	CLUTCH, DOG	SCORREVOLE	CRABOT
11	REC90250-05046	17-81902M	PASADOR	PIN STRAIGHT	SPINOTTO	PIN
12	REC6E0-45611-01	44-96314M	EJE HÉLICE	SHAFT, PROPELLER	ASSE ELICA	ARBRE D'HELICE
13	REC6E0-45570-00	43-96316M	PIÑÓN MARCHA ATRÁS	REVERSE GEAR	PIGNONE MARCIA INDIETRO	PIGNON MARCHE ARRIÈRE
14	PAGB/T276-6004C2	30-82291T	RODAMIENTO	BEARING	CUSCINETTO	ROULEMENT
15	REC93101-13M12	26-96317M	RETÉN	OIL SEAL	PARAOLIO	JOINT SPI
16	REC93210-48214	25-82280M	ARO TÓRICO	O-RING	O-RING	JOINT TORIQUE
17	PAF4-03050001	96318M	TAPA CÁRTER	COVER, LOWER CASING	COPERCHIO CARTER	COUVERCLE INFERIEUR EMBASE
18	PAF4-03000025		ESPACIADOR	SPACER	DISTANZIALE	ENTRETOISE
19	PAF4-03000026		ARANDELA INOX.	WASHER, STAINLESS STEEL	RONDELLA INOX.	RONDELLE INOX
20	REC647-45616-02	859931	TUERCA	NUT, PROPELLER	DADO	ÉCROU
21	PAGB/T91-1.6X12	18-82132M	PASADOR ALETAS	PIN, COTTER	SPINOTTO	PIN
22	PAF4-00000001	18853M	COLLAR	COLLAR	COLLARE	GUIDE CREUX
23	REC6E0-45316-00	23-95476M	CASQUILLO EJE	BUSHING	GHIERA ASSE	BAGUE BRONZE
24	REC93101-10M14	26-91726M	RETÉN	OIL SEAL	PARAOLIO	JOINT SPI
25	PAF4-03000011	27-96295	JUNTA	PACKING	GUARNIZIONE	JOINT
26	PAF4-03000012	8M0080450	BASE BOMBA DE AGUA	BASE, WATER PUMP	BASE POMPA ACQUA	BASE DE POMPE À EAU
27	PAF4-03000015	96303M	PLACA	OUTER PLATE	PIASTRA	PLAQUE
28	REC6E0-44352-00	47-96305M	IMPULSOR	IMPELLER	GIRANTE	TURBINE
29	REC6E0-44322-02	96302M	CASQUILLO INOX	CARTRIDGE INSERT	CAPPUCCIO	INSERT DE POMPE À EAU
30	PAF4-03000018	27-96300	JUNTA BOMBA	GASKET	GUARNIZIONE POMPA	JOINT DE POMPE
31	PAF4-03000013		PIN	PIN, DOWEL	SPINOTTO	PIN
32	PAF4-03000019	46-96299M	CUERPO BOMBA	HOUSING, WATER PUMP	CORPO POMPA	CORPS DE POMPE À EAU
33	PAF4-03000021	26-80398M	RETÉN GOMA, BOMBA DE AGUA	RUBBER TUBE, WATER PUMP	TENUTA IN GOMMA, POMPA ACQUA	MANCHON CAOUTCHOUC DE POMPE À EAU
34	PAF4-03000020	96306M	PLACA FIJACIÓN BOMBA DE AGUA	PLATE, WATER PUMP FIXED	PLACCA DI FISSAGGIO POMPA ACQUA	PLAQUE FIXATION DE POMPE À EAU
35	PAF4-03000005	96309M	CLIP	CLIP	CLIP	CLIP
36	PAF4-03000016	17-82355M	PIN	PIN, DOWEL	SPINOTTO	PIN
37	REC6E0-45511-01	45-96307M	EJE VERTICAL S	SHAFT, DRIVE S	ASSE VERTICALE S	ARBRE VERTICAL S
	REC6E0-45511-11	45-96308M	EJE VERTICAL L	SHAFT, DRIVE L	ASSE VERTICALE L	ARBRE VERTICAL L

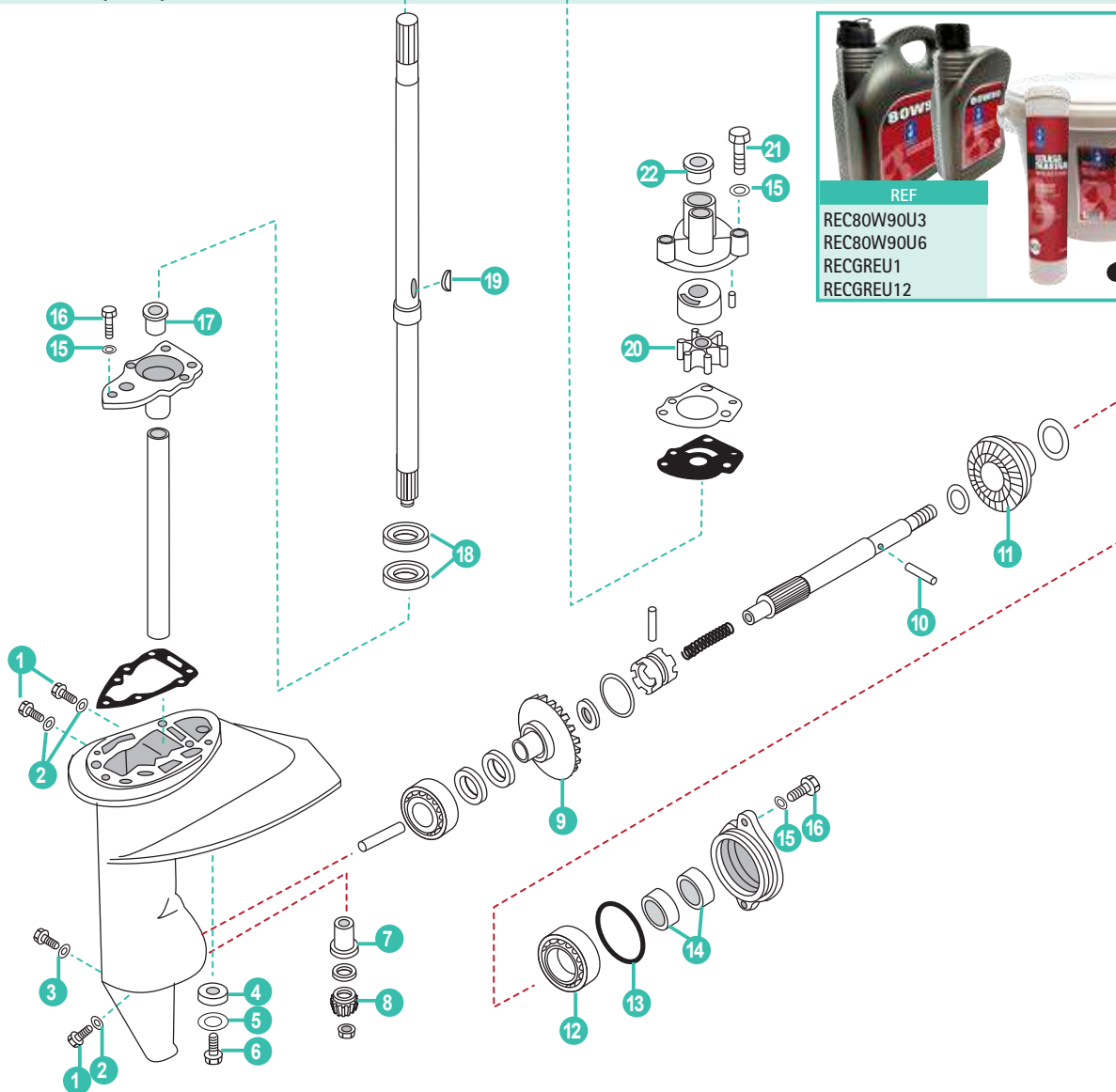


2T 6C (6H8), 6D (6H6), 8C (6G1)
STROKES



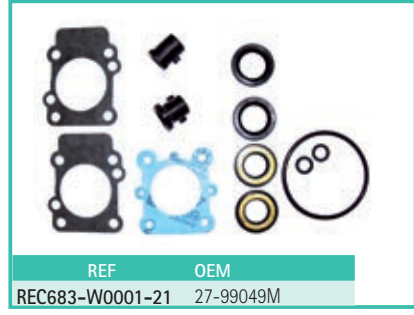
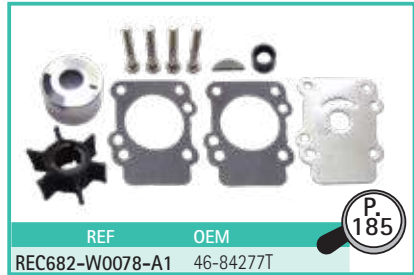
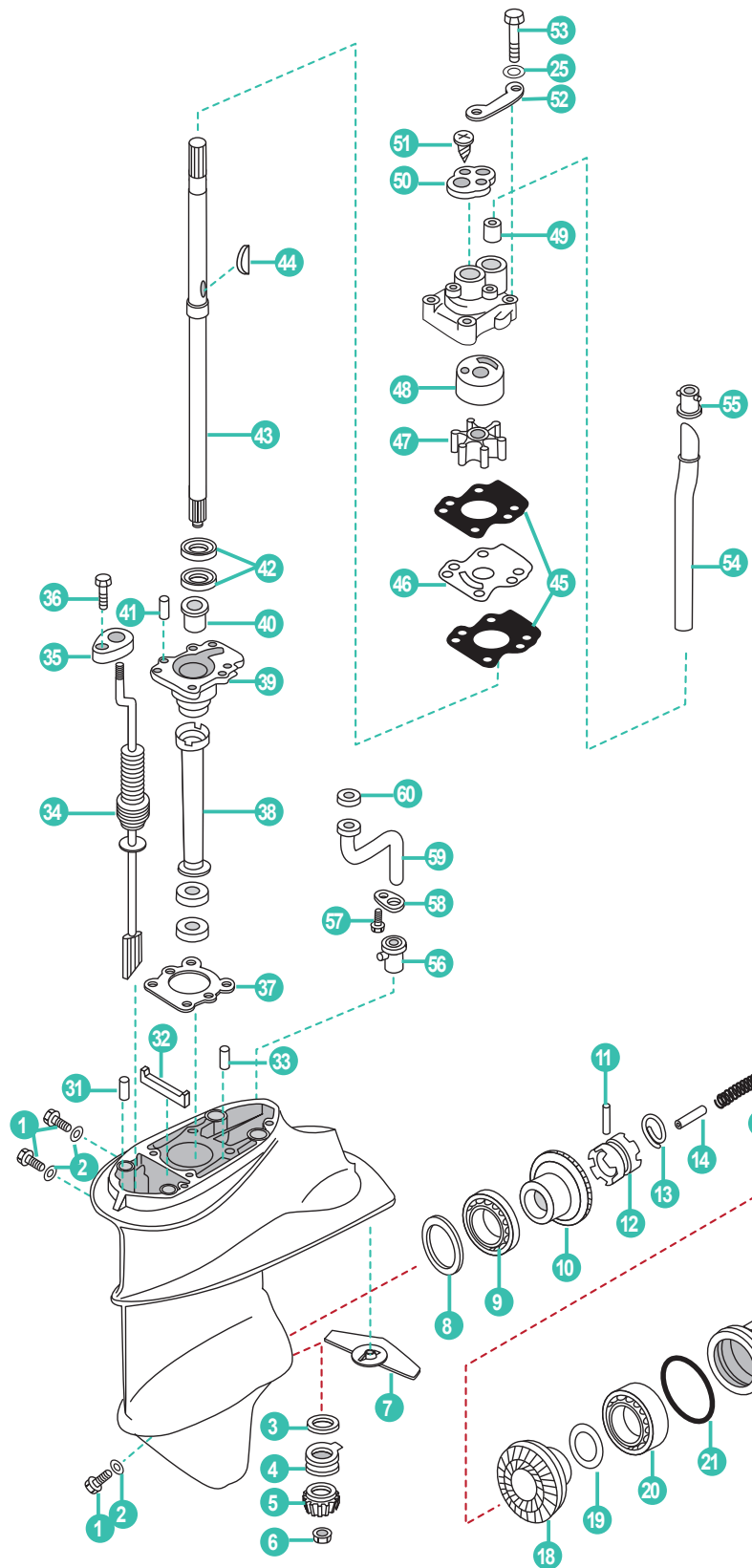
	REF	OEM				
1	REC90340-08002	22-81924M	TAPÓN	PLUG	TAPPO	BOUCHON REMPLISSAGE D'HUILE
2	TEN01118	97-14205M	ÁNODO	ANODE	ANODO	ANODE
3	REC6N0-G5551-00	43-11579M	PIÑÓN ATAQUE	INITIATIVE GEAR	MARCIA INIZIATIVA	PIGNON D'ATAQUE
4	REC6N0-G5560-00	43-11595M	PIÑÓN MARCHA AVANTE	POSITIVE GEAR ASSY	PIGNONE MARCIA AVANTI	PIGNON DE MARCHE AVANT
5	REC6G1-45631-00	52-11597M	EMBRAGUE DE GARRA	CLUTCH, DOG	SELETTORE	CRABOT
6	REC6G1-45611-01	44-11599M	EJE HÉLICE	SHAFT, PROPELLER	ASSE ELICA	ARBRE D'HELICE
7	REC6N0-G5571-00	43-11647M	PIÑÓN MARCHA ATRÁS	REVERSE GEAR	PIGNONE MARCIA INDIETRO	PIGNON MARCHE ARRIÈRE
8	REC93210-49046	25-82281M	ARO TÓRICO	O-RING	O-RING	JOINT TORIQUE
9	REC93210-53M08		ARO TÓRICO	O-RING	O-RING	JOINT TORIQUE
10	REC93101-15074	26-82226M	RETÉN	OIL SEAL	PARAOLIO	JOINT SPI
11	REC6G1-45315-A0	27-11574M	JUNTA	PACKING, LOWER CASING	GUARNIZIONE	JOINT
12	PAGB/T5783-M6X30	10-92523M	TORNILLO	BOLT	VITE	VIS
13	REC93101-11M23	26-11464M	RETÉN	OIL SEAL	PARAOLIO	JOINT SPI
14	REC99001-06600	53-82331M	CERCLIP	CIRCLIP	CIRCLIP	CIRCLIP
15	REC90280-03024	28-81912M	CHAVETA	KEY	CHIAVETTA	CLAVETTE
16	REC6G1-44323-00	11592M	PLATO	OUTTER PLATE, CARTRIDGE	PIASTRA	PLAQUE DE POMPE À EAU
17	REC6G1-44315-A0	27-11591M	JUNTA	GASKET, WATER PUMP	GUARNIZIONE	JOINT
18	REC6G1-44352-00	47-11590M	TURBINA	IMPELLER	GIRANTE	TURBINE
19	REC6G1-44322-00	11589M	CASQUILLO	INSERT, CARTRIDGE	GHIERA	INSERT DE POMPE À EAU
20	REC6G1-44328-00	11593M	PLACA FIJACIÓN BOMBA DE AGUA	PLATE, WATER PUMP FIXED	PLACCA DI FISSAGGIO POMPA ACQUA	PLAQUE FIXATION DE POMPE À EAU
21	REC97095-06045	10-92536M	TORNILLO	BOLT	VITE	VIS
22	REC647-44366-00	26-80532M	CASQUILLO GOMA	DAMPER	GHIERA GOMA	BAGUE CAOUTCHOUC
23	REC90430-08020	27-81987M	JUNTA	GASKET	GUARNIZIONE	JOINT

2T W8 (W MARATHON) (677-)
STROKES 8K (680-)



	REF	OEM				
1	REC90340-08002	22-81924M	TORNILLO	BOLT	VITE	VIS
2	REC90430-08020	27-81987	JUNTA	GASKET	GUARNIZIONE	JOINT
3	REC90430-06M03	27-95610	JUNTA	GASKET	GUARNIZIONE	JOINT
4	CM6E0-45251-11	97-18852M	ÁNODO	ANODE	ANODO	ANODE
5	PAGB/T861.1-87	12-827055M	ARANDELA	WASHER	RONDELLA	RONDELLE
6	PAGB/T5783-M6X35	10-91722M	TORNILLO	BOLT	VITE	VIS
7	REC647-45316-09	23-80536M	CASQUILLO	DAMPER	GHIERA GOMA	PIN
8	REC647-45551-00	43-82542M	PIÑÓN ATAQUE	INITIATIVE GEAR	MARCIA INIZIATIVA	PIGNON D'ATTAQUE
9	REC647-45560-00	43-80542M	PIÑÓN MARCHA AVANTE	POSITIVE GEAR ASSY	PIGNONE MARCIA AVANTI	PIGNON DE MARCHE AVANT
10	REC90250-05036	17-81901M	PASADOR	PIN	SPINOTTO	PIN
11	REC647-45570-00	43-80544M	PIÑÓN MARCHA ATRÁS	REVERSE GEAR	PIGNONE MARCIA INDIETRO	PIGNON MARCHE ARRIÈRE
12	REC93306-00519	30-8528001	COJINETE	BEARING	CUSCINETTO	ROULEMENT
13	REC93210-58677	25-15377M	ARO	O-RING	O-RING	JOINT TORIQUE
14	REC93101-15074	26-82226M	RETÉN ACEITE	OIL SEAL	PARAOLIO	JOINT SPI
15	PAGB/T97.1-6	12-881379	ARANDELA	WASHER	RONDELLA	RONDELLE
16	PAGB/T5783-M6X20	10-84058M	PERNO	BOLT	VITE	VIS
17	REC647-45316-09	23-80536M	CASQUILLO	BUSH	GHIERA	BAGUE
18	REC93101-18050	26-82228M	RETÉN ACEITE	OIL SEAL	PARAOLIO	JOINT SPI
19	REC90280-03024	28-81912M	CHAVETA	KEY	CHIAVETTA	CLAVETTE
20	REC662-44352-01	47-95611M	IMPULSOR	IMPELLER	GIRANTE	TURBINE
21	REC97095-06040	10-827043M	PERNO	BOLT	VITE	VIS
22	REC647-44366-00	26-80532M	GOMA	RUBER BAND	GOMMA	BAGUE

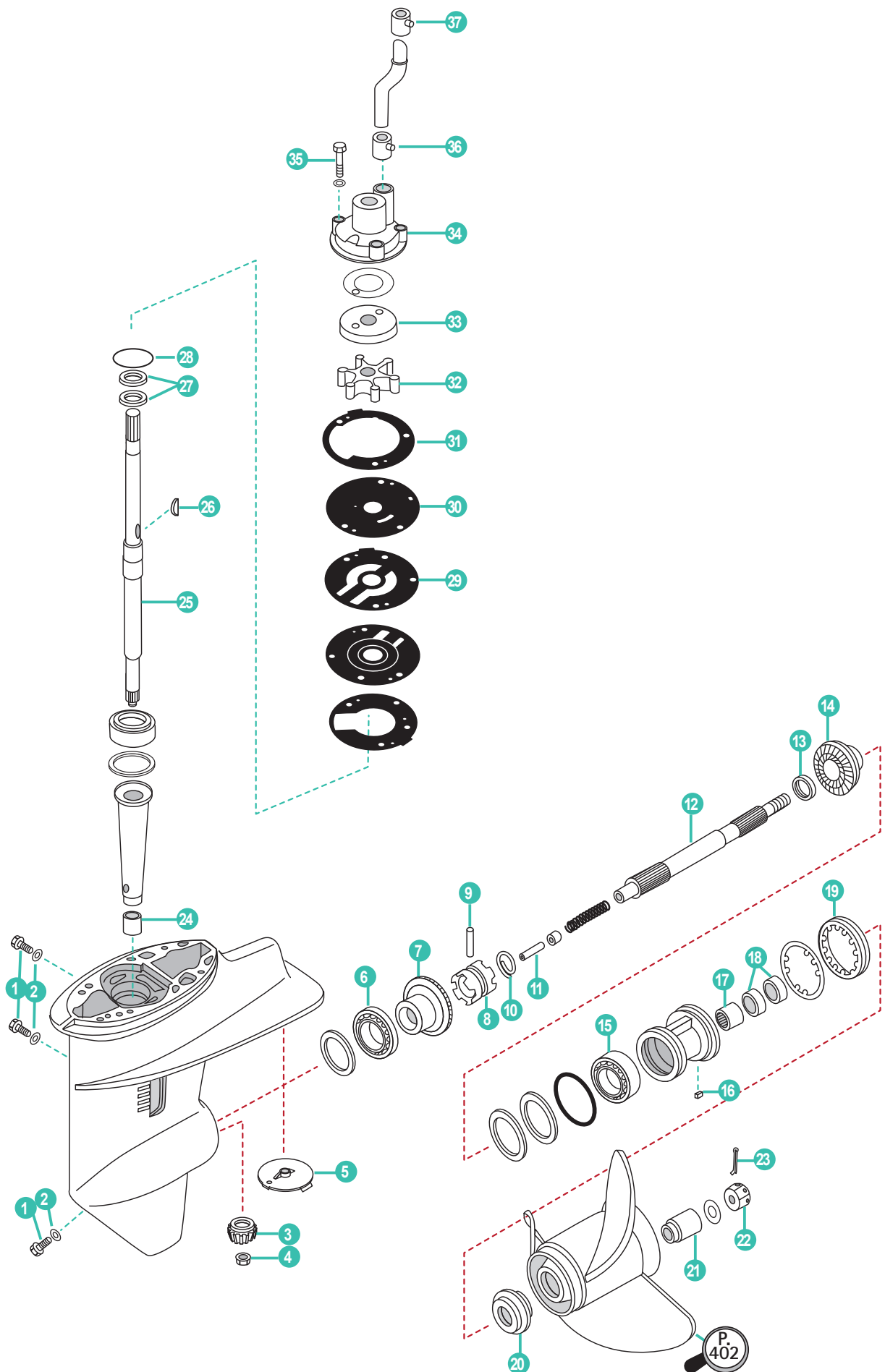
2T 9.9 (682)
STROKES 15 (684 / 6M7)



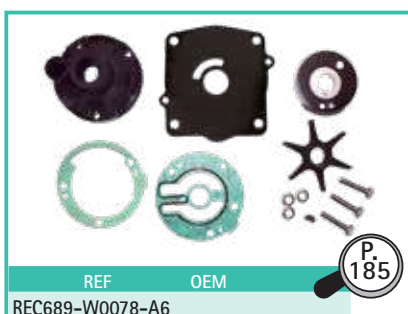
	REF	OEM				
1	REC90340-08002	22-81924M	TAPÓN	PLUG, STRAIGHT SCREW	TAPPO	BOUCHON DE VIDANGE
2	REC90430-08020	27-81987	JUNTA	GASKET	GUARNIZIONE	JOINT
3	PAF15-06000009	17-80252M	GRUESO (1.20mm)	SHIM (1.20mm)	SPESSORE (1.20mm)	CALE (1.20 mm)
4	REC93341-214U1	31-99030M	RODAMIENTO	BEARING	CUSCINETTO	ROULEMENT
5	REC6E7-45551-00	99041M	PIÑÓN ATAQUE	INITIATIVE GEAR	MARCIA INIZIATIVA	PIGNON D'ATAQUE
6	REC90179-08M06	99042M	TUERCA	NUT	DADO	ÉCROU

	REF	OEM				
7	TEN01116	811990M	ÁNODO	ANODE	ANODO	ANODE
	PAF15-06000010-1	81626M	GRUESO (0.05mm)	SHIM (0.05mm)	SPESSORE (0.05mm)	CALE (0.05 mm)
8	PAF15-06000010-2	18955M	GRUESO (0.12mm)	SHIM (0.12mm)	SPESSORE (0.12mm)	CALE (0.12 mm)
	PAF15-06000010-5	18958M	GRUESO (0.30mm)	SHIM (0.30mm)	SPESSORE (0.30mm)	CALE (0.30 mm)
	PAF15-06000010-7	18960M	GRUESO (0.50mm)	SHIM (0.50mm)	SPESSORE (0.50mm)	CALE (0.50 mm)
9	REC93332-00005	31-82321T	RODAMIENTO	BEARING	CUSCINETTO	ROULEMENT
10	REC6E7-45560-01	43-99043T	PIÑÓN MARCHA AVANTE	POSITIVE GEAR ASSY	PIGNONE MARCIA AVANTI	PIGNON DE MARCHE AVANT
11	REC90250-05010	17-81899M	PASADOR	PIN, STRAIGHT	SPINOTTO	PIN
12	REC682-45631-00	84274M	EMBRAGUE DE GARRA	CLUTCH, DOG	SELETTORE	CRABOT
13	REC648-45633-00	80678M	ANILLO	RING, CROSS PIN	O-RING	JOINT TORIQUE
14	REC650-45635-00	80923M	PISTÓN	PLUNGER, SHIFT	PISTONE	PISTON
15	PAF15-06070002	84064M	MUELLE	SPRING, COMPRESSION	MOLLA	RESSORT
16	REC683-45611-00	44-84078M	EJE HÉLICE	SHAFT, PROPELLER	ASSE ELICA	ARBRE D'HELICE
17	REC90201-17682	12-94627M	ARANDELA	WASHER, PLATE	RONDELLA	RONDELLE
18	REC6E7-45570-00	43-99044T	PIÑÓN MARCHA ATRÁS	REVERSE GEAR	PIGNONE MARCIA INDIETRO	PIGNON MARCHE ARRIÈRE
	PAF15-06080006-1	15-19148005	GRUESO (0.10mm)	SHIM (0.10mm)	SPESSORE (0.10mm)	CALE (0.10 mm)
19	PAF15-06080006-3	15-80259M	GRUESO (0.30mm)	SHIM (0.30mm)	SPESSORE (0.30mm)	CALE (0.30 mm)
	PAF15-06080006-5	15-80260M	GRUESO (0.50mm)	SHIM (0.50mm)	SPESSORE (0.50mm)	CALE (0.50 mm)
20	REC93306-00501	30-8528001	RODAMIENTO	BEARING	CUSCINETTO	ROULEMENT
21	REC93210-57M09	25-84089M	ARO TÓRICO	O-RING	O-RING	JOINT TORIQUE
22	REC683-45361-01-4D	84076T	DIÁBOLO	CAP, LOWER CASING	COP. CASSA INGRANAGGI	DIABOLO
23	REC93315-317U2	31-84086M	RODAMIENTO	BEARING	CUSCINETTO	ROULEMENT
24	REC93101-17054	26-8540171	RETÉN	OIL SEAL	PARAOLIO	JOINT SPI
25	PAGB/T97.1-6	12-82214M	ARANDELA	WASHER, PLATE	RONDELLA	RONDELLE
26	PAGB/T5783-M6X20	10-84058M	TORNILLO	BOLT	VITE	VIS
27	REC6E7-45987-00	12-815025M	ESPACIADOR	SPACER	DISTANZIALE	ENTRETOISE
28	PAGB/T96-10	859894	SEPARADOR	SPACER	DISTANZIALE	CALE
29	PAF15-06000016	859933	TUERCA HÉLICE	NUT, CASTLE	DADO ELICA	ÉCROU
30	PAGB/T91-2.5X20	18-815026	PASADOR ALETAS	PIN, COTTER	PIN ELICA	CLAVETTE
31	REC93606-12019		PIN	PIN	SPINOTTO	PIN
32	REC682-45376-01	94622M	GUÍA RETÉN	GUIDE, SEAL DAMPER	GUIDA BOCCOLA	GUIDE
33	PAF25-04000007	17-82354M	PIN	PIN, DOWEL	SPINOTTO	PIN
34	REC682-44147-00	84019M	TAPÓN GUÍA	BOOT, SHIFT ROD	TAPPO GUIDA	GUIDE
35	REC682-44176-00	84020M	SOPORTE	BRACKET	SUPPORTO	SUPPORT
36	PAGB/T845-ST4.8X9	10-84788M	TORNILLO	SCREW	VITE	VIS
37	REC683-45315-A0	27-84075	JUNTA	PACKING, LOWER CASING	GUARNIZIONE	JOINT
38	REC6E7-45536-00	23-99035M	CAMISA EJE	SLEEVE, DRIVE SHAFT	TUBO GUIDA	TUBE GUIDE
39	REC6E7-45331-00-CA	8M0057163	CUERPO DE RODAMIENTO	HOUSING, BEARING	CUSCINETTO	LOGEMENT
40	REC626-45316-09	23-82590M	CASQUILLO	BUSHING, DRIVE SHAFT	GHIERA	BAGUE
41	REC93606-12019	17-82364M	PIN	PIN, DOWEL	SPINOTTO	PIN
42	REC93101-20048	26-82229M	RETÉN	OIL SEAL	PARAOLIO	JOINT SPI
43	REC6E7-45501-00	45-99032M	EJE S	DRIVE SHAFT COMP. S	ASSE VERTICALE S	ARBRE VERTICAL S
	REC6E7-45501-11	45-99033M	EJE L	DRIVE SHAFT COMP. L	ASSE VERTICALE L	ARBRE VERTICAL L
44	REC90280-03024	28-81912M	CHAVETA	KEY, WOODRUFF	CHIAVETTA	CLAVETTE
45	REC682-44315-00	27-84024M	JUNTA	GASKET, WATER PUMP	GUARNIZIONE	JOINT DE POMPE A EAU
46	REC682-44323-40	842121M	PLATO	OUTER PLATE, CARTRIDGE	PIASTRA	PLAQUE DE POMPE À EAU
47	REC682-44352-01	47-84027T	TURBINA	IMPELLER	GIRANTE	TURBINE
48	REC682-44322-00	84025M	CASQUILLO INOX.	INSERT, CARTRIDGE	GHIERA INOX.	INSERT DE POMPE À EAU
49	REC682-44365-00	84022M	CASQUILLO GOMA	DAMPER, WATER SEAL	GHIERA GOMA	BAGUE
50	REC682-44312-00	84023M	TAPA CUERPO BOMBA AGUA	COVER, WATER PUMP HOUSING	COPERCHIO CORPO ACQUA	CORPS DE POMPE À EAU
51	PAGB/T845-ST4.2X16	10-84272M	TORNILLO	SCREW, TAPPING	VITE	VIS
52	REC682-44328-00	94624M	PLATO	PLATE	PIASTRA	PLAQUE
53	PAGB/T5782-M6X45	10-827043M	TORNILLO	BOLT	VITE	VIS
54	REC682-44361-01	32-84028M	TUBO DE AGUA S	WATER TUBE S	TUBO ACQUA S	TUBE D'EAU S
	REC682-44361-10	32-84029M	TUBO DE AGUA L	WATER TUBE L	TUBO ACQUA L	TUBE D'EAU L
55	REC626-44365-01	26-80239M	RETÉN	SEAL	PARAOLIO	JOINT SPI
56	REC6E7-44366-00	26-99031M	CASQUILLO GOMA	WATER SEAL	BOCCOLA GOMMA	GUIDE CAOUTCHOUC
57	PAGB/T5783-M6X10	10-84088M	TORNILLO	BOLT	VITE	VIS
58	REC683-44373-00	84072M	PLACA FIJACION TUBO	PLATE WATER TUBE	PLACCA SUPPORTO TUBO	PLAQUE DE FIXATION DE TUBE
59	REC683-44362-01	32-94625M	TUBO DE AGUA	WATER TUBE "B"	TUBO ACQUA	TUBE D'EAU
60	REC683-44365-01	26-94626M	CASQUILLO GOMA	SEAL WATER TUBE	BOCCOLA GOMMA	GUIDE CAOUTCHOUC

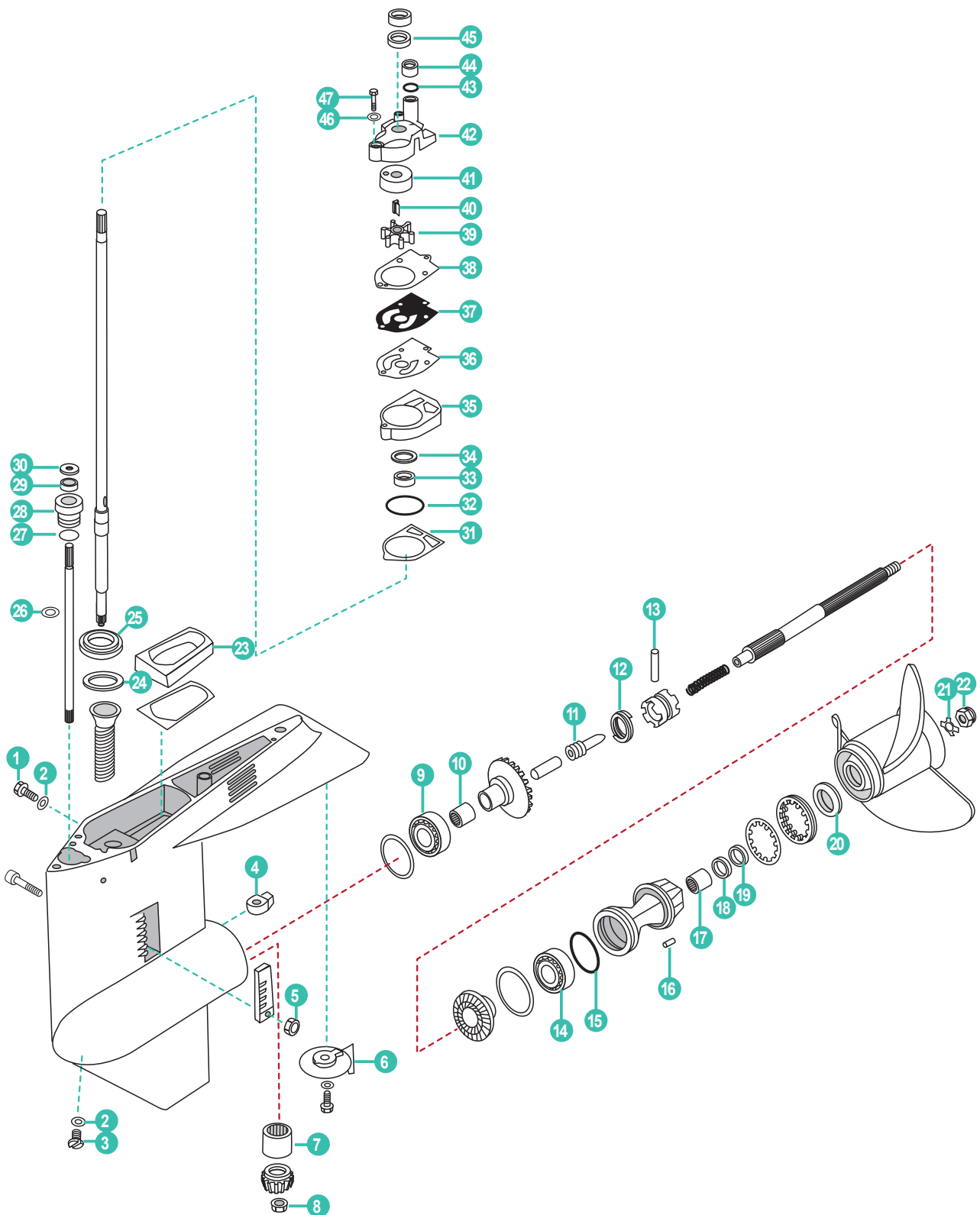
2T 20C (6A9) • 25C (695) • 30A (689)
STROKES



	REF	OEM				
1	REC90340-08002	22-81924M	TAPÓN ACEITE	PLUG, OIL	TAPPO OLIO	BOUCHON REMPLISSAGE D'HUILE
2	REC90430-08020	27-81987M	ARANDELA	WASHER	RONDELLA	JOINT DE VIDANGE
3	REC689-45551-00	43-84806M	PIÑÓN ATAQUE	INITIATIVE GEAR	MARCIA INIZIATIVA	PIGNON D'ATTAQUE
4	REC90179-09M02	11-84807M	TUERCA, PIÑÓN	NUT	DADO	ÉCROU
5	CM664-45371-01	82795M	ÁNODO	ANODE	ANODO	ANODE
6	REC93332-00005	31-82321M	COJINETE	BEARING	CUSCINETTO	ROULEMENT
7	REC689-45560-00	43-84808M	PIÑÓN MARCHA AVANTE	POSITIVE GEAR ASSY	PIGNONE MARCIA AVANTI	PIGNON DE MARCHE AVANT
8	REC664-45631-01	52-81644M	SELECTOR	CLUTCH	SELETTORE	CRABOT
9	REC90250-05010	17-81899M	PASADOR	PIN	SPINOTTO	LEVIER
10	REC648-45633-00	53-80678M	ARO, PASADOR	CROSS PIN	O-RING	JOINT TORIQUE
11	REC648-45635-00	80680M	PIVOTE	PIN	PERNO	PIN
12	REC689-45611-00	44-19124M	EJE HÉLICE	SHAFT PROPELLER	ASSE ELICA	ARBRE D'HELICE
13	REC90201-20417	12-81831M	ARANDELA	WASHER	RONDELLA	RONDELLE
14	REC689-45571-00-00	43-84810M	PIÑÓN MARCHA ATRÁS	REVERSE GEAR	PIGNONE MARCIA INDIETRO	PIGNON MARCHE ARRIÈRE
15	REC93306-00612	30-82295M	COJINETE	BEARING	CUSCINETTO	ROULEMENT
16	REC90282-04010	28-81916M	CHAVETA	KEY	CHIAVETTA	CLAVETTE
17	REC93315-22004	31-82315M	COJINETE	BEARING	CUSCINETTO	ROULEMENT
18	REC93101-20M07	26-84813M	RETÉN	OIL SEAL	PARAOLIO	JOINT SPI
19	REC664-45384-00	11-81619M	TUERCA	NUT	DADO	ÉCROU
20	REC664-45987-00	12-81650M	ESPACIADOR	SPACER	DISTANZIALE	CALE
21	REC689-45997-00	84823M	ESPACIADOR	SAPCER	DISTANZIALE	CALE
22	REC90171-14013-00	11-81774M	TUERCA HÉLICE	NUT	DADO	ÉCROU D'HELICE
23	REC91490-30030	18-82132M	PASADOR	COTTER PIN	PIN	GOUPILLE
24	REC93315-017U4	29-84803M	COJINETE, PIÑÓN	BEARING	CUSCINETTO	ROULEMENT
25	REC689-45501-10	45-84801M	EJE L	DRIVE SHAFT L	ASSE VERTICALE L	ARBRE VERTICAL L
26	REC664-44338-00	28-81603M	CUÑA	CHAVETA	KEY	CLAVETTE
27	REC93101-22067	26-82233M	RETÉN ACEITE	OIL SEAL	PARAOLIO	JOINT SPI
28	REC689-44315-A0	25-84054M	JUNTA BASE	GASKET	GUARNIZIONE	JOINT
29	REC689-44316-A0	27-95656M	JUNTA BASE	GASKET	GUARNIZIONE	JOINT
30	REC689-44323-00	95654M	CHAPA	PLATE	PIASTRA	PLAQUE
31	REC689-44324-A0	27-41273M	JUNTA, CHAPA	GASKET	GUARNIZIONE	JOINT
32	REC689-44352-02	47-84797M	IMPULSOR	IMPELLER	GIRANTE	TURBINE
33	REC689-W4432-01	95652M	ACOPLE	INSERT CUP	ACCOPPIAMENTO	INSERT DE POMPE À EAU
34	REC689-44311-00	46-95651M	CUERPO BOMBA AGUA	HOUSING W.P.	CORPO POMPA ACQUA	CORPS DE POMPE
35	REC90101-06M56	10-84790M	TORNILLO CUERPO BOMBA	BOLT	VITE	VIS
36	REC626-44365-01	26-80239M	RETÉN SUPERIOR TUBO DE AGUA	DUMPER WATER TUBE	PARAOLIO SUPERIORE TUBO ACQUA	BAGUE TUBE D'EAU
37	REC689-44366-00	26-84818M	RETÉN SUPERIOR TUBO DE AGUA	DUMPER WATER TUBE	PARAOLIO SUPERIORE TUBO ACQUA	BAGUE TUBE D'EAU



2T 30 - 70 HP (2, 3, 4 CYL) (1977-97)
STROKES



	REF	OEM				
1	REC10-79953Q04	10-79953Q2	JUEGO TORNILLOS	SCREW SET	KIT VITE	KIT VIS
2	REC12-191833	12-19183-3	JUNTA	GASKET	GUARNIZIONE	JOINT
3	REC22-67892A05	22-67892A1	TORNILLO DRENAJE	DRAINING SCREW	VITE DRENAGGIO	VIS DE VIDANGE
4	REC76039-4	76039-4	LEVA	SHIFT CAM	LEVA	CAM
5	REC11-859124	11-45812	CIERRE TUERCA	LOCK NUT	CHIUSURA DADO	ÉCROU
6	CM31640A	31640Q4	ÁNODO ALUMINIO	ANODE ALUMINUM	ANODO ALLUMINIO	ANODE ALUMINIUM
	CM31640	31640Q4	ÁNODO ZINC	ANODE ZINC	ANODO ZINCO	ANODE ZINC
7	REC31-62091T	31-6291T	RODAMIENTO	BEARING	CUSCINETTO	ROULEMENT
8	REC313339	11-55910	TUERCA PIÑÓN	PINION NUT	DADO PIGNONE	ÉCROU PIGNON
9	REC31-38356A1	31-38356A1	COJINETE	BEARING	CUSCINETTO	ROULEMENT
10	REC31-21739	31-21739	COJINETE	BEARING	CUSCINETTO	ROULEMENT
11	REC20843	20843	PASADOR	SLIDE	CHIAVETTA	INSERT
12	REC24-38114	24-38114	MUELLE	SPRING	MOLLA	RESSORT
13	REC17-8M0020942	17-38113	PASADOR	CROSS PIN	CHIAVETTA	CLAVETTE
14	REC30-20839T	30-20839T	COJINETE	BEARING	CUSCINETTO	ROULEMENT
15	REC3852866	25-31986	ARO TÓRICO	O-RING	O-RING	TORIQUE
16	REC28-30281	28-30281	CHAVETA	KEY	CHIAVETTA	CLAVETTE
17	REC31-21700	31-21700	COJINETE	BEARING	CUSCINETTO	ROULEMENT
18	REC26-69188	26-69188	RETÉN ACEITE	OIL SEAL	PARAOLIO	JOINT SPI
19	REC26-69189	26-69189	RETÉN ACEITE	OIL SEAL	PARAOLIO	JOINT SPI
20	REC73345A1	73345A1	TOPE HÉLICE	THRUST HUB	PUNTA ELICA	RONDELLE BUTEE D'HELICE
21	REC14-76281Q	14-76281	CIERRE HÉLICE	TAB WASHER	CHIUSURA ELICA	RONDELLE FREIN
22	REC11-69578Q1	11-69578A1	KIT CIERRE HELICE	PROP LOCK KIT	KIT CHIUSURA ELICA	KIT ECROU D'HELICE
23	REC37721001	37721	RETÉN	SEAL	TENUTA	JOINT
24	RM15-92881A1	15-92881A1	KIT SUPLEMENTOS	SHIM SET	KIT SUPPLEMENTI	KIT DE CALE
25	REC31-77420A1	31-77420A1	COJINETE	BEARING	CUSCINETTO	ROULEMENT
26	REC53-29641	53-29641	ARO RETENEDOR	RETAINING RING	O-RING	RAITENEUR
27	REC25-25439	25-25439	ARO TÓRICO	O-RING	O-RING	TORIQUE
28	REC23-77631A2	23-77631A2	ACOPLE EJE	BUSHING ASSEMBLY	ACCOPIO ASSE	INSERT
29	REC26-8164641	26-816464-1	RETÉN ACEITE	OIL SEAL	PARAOLIO	JOINT SPI
30	REC12-77674	12-77674	JUNTA	GASKET	GUARNIZIONE	JOINT
31	REC27-19552	27-19552	JUNTA	GASKET	GUARNIZIONE	JOINT
32	REC302588	25-26722	ARO TÓRICO	O-RING	O-RING	TORIQUE
33	REC26-79831	26-79831	RETÉN ACEITE	OIL SEAL	PARAOLIO	JOINT SPI
34	REC26-90562	26-90562	RETÉN ACEITE	OIL SEAL	PARAOLIO	JOINT SPI
35	REC46-77177A1	46-77177A1	BASE BOMBA AGUA	WATER PUMP BASE	BASE POMPA ACQUA	BASE POMPE À EAU
36	REC27-19553	27-19553	JUNTA	GASKET	GUARNIZIONE	JOINT
37	REC32768	32768	TAPA BOMBA	WEAR PLATE	COPERCHIO POMPA	PLAQUE DE POMPE À EAU
38	REC27-19551	27-19551	JUNTA	GASKET	GUARNIZIONE	JOINT
39	REC47-89983T	47-89983T	IMPULSOR	IMPELLER	GIRANTE	TURBINE
40	REC8M0032837	8M0032837	CHAVETA	KEY	CHIAVETTA	CLAVETTE
41	REC48753	48753	ACOPLE	INSERT CUP	ACCOPIAMENTO	INSERT DE POMPE À EAU
42	REC46-77822A1	46-77822A1	CUERPO BOMBA AGUA	WATER PUMP HOUSING	CORPO POMPA ACQUA	CORPS DE POMPE
43	REC12-38453	12-38453	JUNTA	GASKET	GUARNIZIONE	JOINT
44	REC26-38452	26-38452	GRUESO	GROMMET	SPESSORE	CALE
45	REC25-20273	25-20273	PASADOR	SLINGER	CHIAVETTA	CLAVETTE
46	REC12-29245	12-29245	ARANDELA	WASHER	RONDELLA	RONDELLE
47	REC11-8267089	11-13438	TORNILLO	BOLT	VITE	VIS




REF	OEM
REC46-77177A3	46-77177A3

P. 186



REF	OEM
REC47-89983Q1	47-89983Q1

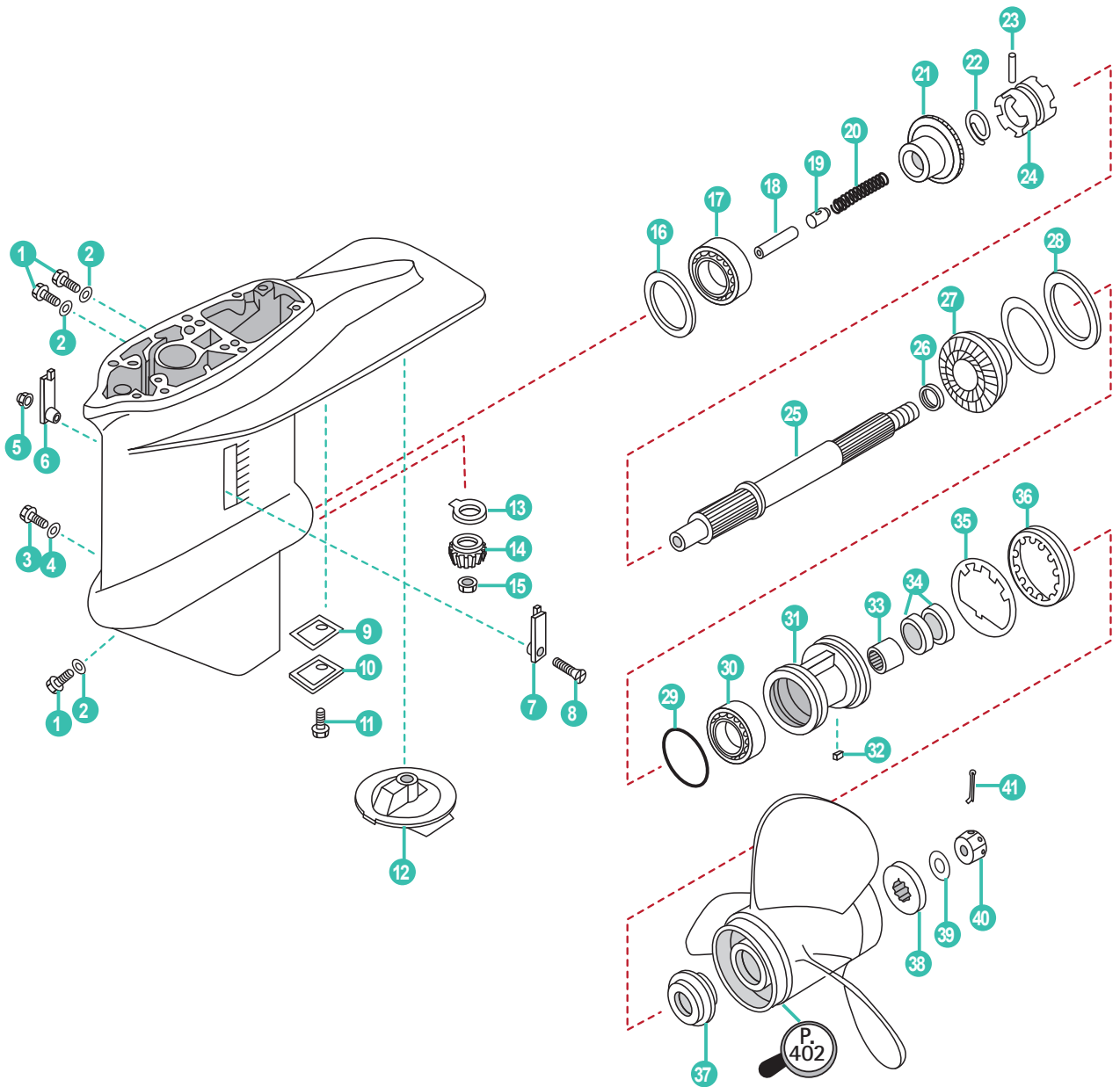
P. 186



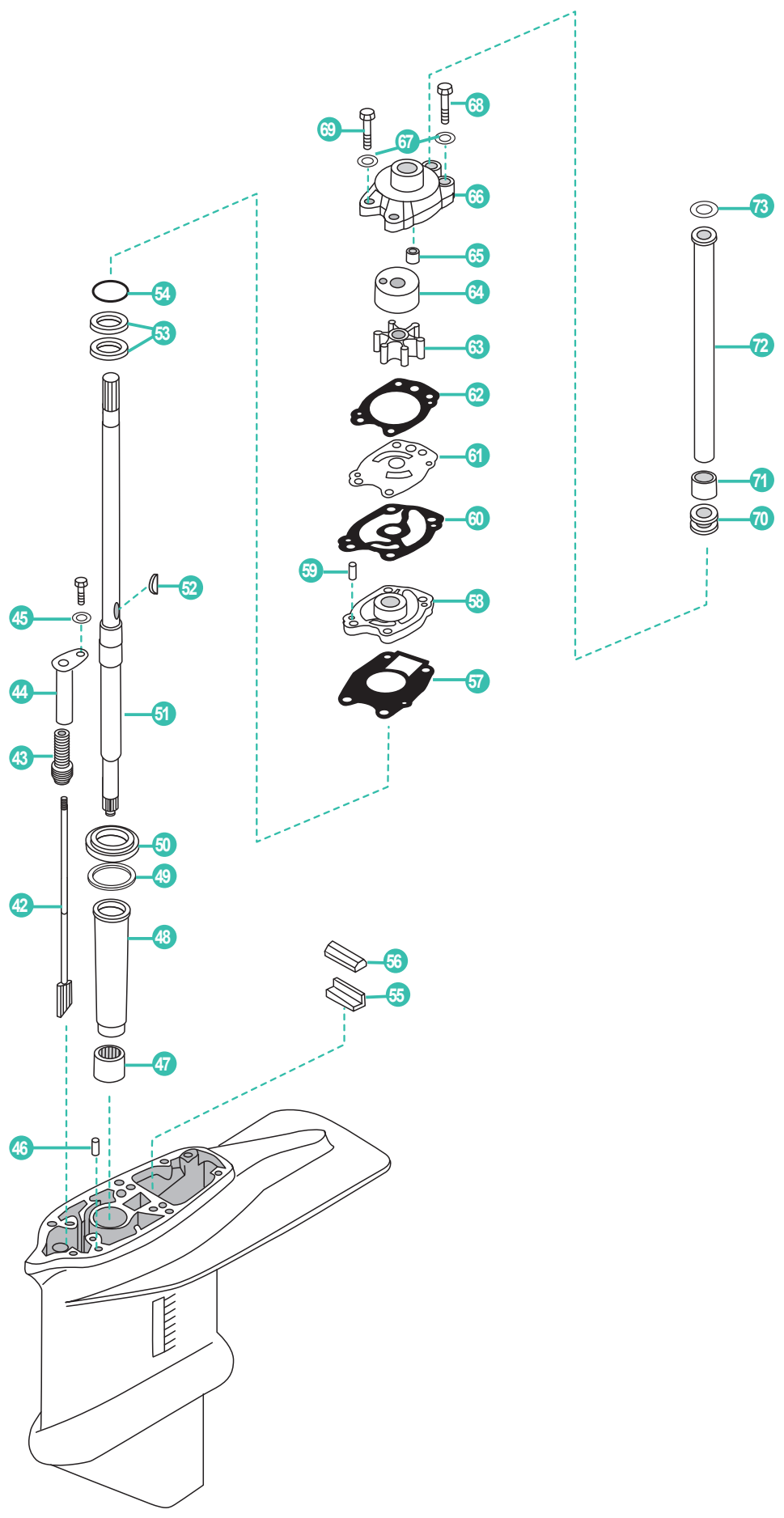
REF	OEM
REC26-79831A1	26-79831A1

P. 174

2T K40 (6F5) • W40 (6F6) • 40C (TWIN CARB) (6E9)
STROKES



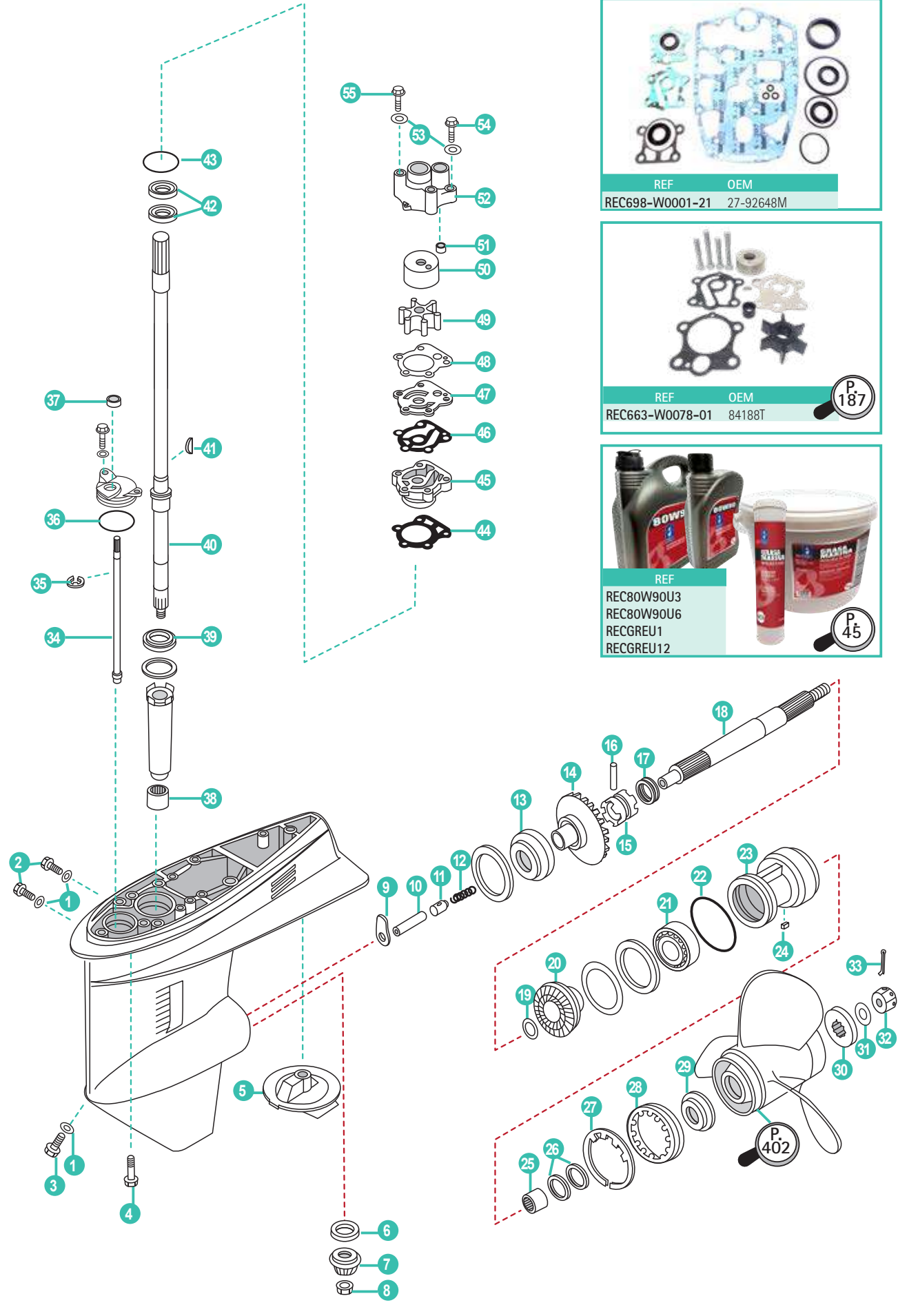
	REF	OEM				
1	REC90340-08002	22-81924M	TORNILLO NIVEL ACEITE	VENT PLUG	VITE LIVELLO OLIO	BOUCHON DE VIDANGE
2	REC90430-08020	27-95610M	ARANDELA	WASHER	RONDELLA	JOINT DE VIDANGE
3	REC90149-06M00	10-83392M	TORNILLO DRENAJE	DRAIN SCREW	VITE DRENAGGIO	BOUCHON DE VIDANGE
4	REC90430-06M03	27-95610M	JUNTA	GASKET	GUARNIZIONE	JOINT DE VIDANGE
5	PAGB/T889.1-M5	11-81781M	TUERCA	NUT	DADO	ÉCROU
6	REC688-45215-02	19167M	TAPA ENTRADA DE AGUA	WATER SCREEN	COPERCHIO RAFFREDDAMENTO	GRILLE D'ENTREE D'EAU
7	REC688-45214-02	97091M	TAPA ENTRADA DE AGUA	WATER SCREEN	COPERCHIO RAFFREDDAMENTO	GRILLE D'ENTREE D'EAU
8	PAGB/T820-M5X30	10-83858M	TORNILLO	SCREW	VITE	VIS
9	REC679-45315-A1	27-95418M	JUNTA	GASKET	GUARNIZIONE	JOINT
10	REC679-45321-02	95417M	PLACA	PLATE	PIASTRA	PLAQUE
11	PAGB/T818-M6X16	10-83870M	TORNILLO	SCREW	VITE	VIS
12	TEN01101	83859M	ÁNODO	ANODE	ANODO	ANODE
13	REC663-45552-00	12-81455M	COJINETE PLANO	BEARING	CUSCINETTO	ROULEMENT
14	REC6H9-45551-00	43-86869M	PIÑÓN ATAQUE	INITIATIVE GEAR	MARCIA INIZIATIVA	PIGNON D'ATTAQUE
15	REC90170-12138	11-81772M	TUERCA	NUT	DADO	ÉCROU
16	PAT40-04000004-1	15-19154M	GRUESO (0.10mm)	SHIM (0.10mm)	SPESSORE (0.10mm)	CALE (0.10mm)
	PAT40-04000004-5	15-81459M	GRUESO (0.30mm)	SHIM (0.30mm)	SPESSORE (0.30mm)	CALE (0.30mm)
17	REC93332-00003	31-82320M	COJINETE	BEARING	CUSCINETTO	ROULEMENT
18	REC676-45635-00	83419M	ÉMBOLO DE CAMBIO	PIVOT	PERNO	PIVOT
19	REC663-45634-00	81475M	DESILIZADOR DE CAMBIO	CLUTCH DOG	TRAINABILE CAMBIO	PISTON
20	REC90501-16M01	24-83429M	RESORTE DE COMPRESIÓN	SPRING	MOLLA	RESSORT
21	REC679-45560-00	43-83877M	PIÑÓN MARCHA AVANTE	POSITIVE GEAR ASSY	PIGNONE MARCIA AVANTI	PIGNON DE MARCHE AVANT
22	REC663-45633-00	52-81473M	ANILLO DEL PASADOR	ANNULAR SPRING, CLUTCH	ANELLO	RESSORT
23	REC90250-06023	17-81903M	PASADOR	PIN	FERMO	GOUPILLE
24	REC663-45631-00	52-81473M	EMBRAGUE DE GARRA	CLUCH DOG	SELETTORE	CRABOT
25	REC679-45611-00	44-94531M	EJE PROPULSOR	PROPELLER SHAFT	ASSE ELICA	ARBRE D'HELICE
26	REC90201-22429	12-81837M	ARANDELA PLANA	WASHER	RONDELLA	RONDELLE
27	REC679-45571-00	43-83879M	PIÑÓN MARCHA ATRÁS	REVERSE GEAR	PIGNONE MARCIA INDIETRO	PIGNON MARCHE ARRIÈRE
28	REC663-45576-00	12-81461M	ARANDELA DE EMPUJE	PUSH WASHER	RONDELLA DI SPINTA	RONDELLE D'APPUI
29	REC93210-66M98	25-82289M	O-RING	O-RING	O-RING	JOINT TORIQUE
30	REC93306-00702	30-82296M	COJINETE	BEARING	CUSCINETTO	ROULEMENT
31	REC679-45331-00	83880M	DIABOLO	DIABOLO	DIABOLO	DIABOLO
32	REC90282-04010	28-81916M	CHAVETA	KEY	CHIAVETTE	CLAVETTE
33	REC93317-22204	31-82317M	COJINETE	BEARING	CUSCINETTO	ROULEMENT
34	REC93101-22067	26-83406M	RETÉN DE ACEITE	SEAL OIL	PAROLIO	JOINT SPI
35	REC90214-48M03	14-81877M	ARANDELA	WASHER	RONDELLA	RONDELLE
36	REC697-45384-00	11-81450M	TUERCA	NUT	DADO	ÉCROU
37	REC663-45987-00	12-81477M	ESPACIADOR	DISTANCE WASHER	DISTANZIALE	ENTRETOISE
38	REC66T-45997-00	23-84445M	ESPACIADOR	DISTANCE WASHER	DISTANZIALE	ENTRETOISE
39	REC90389-22M01	12-83700M	ARANDELA	WASHER	RONDELLA	RONDELLE
40	REC90171-16011	11-81775M	TUERCA	NUT	DADO	ÉCROU D'HELICE
41	REC91490-30025	18-82132M	CLIP	CLIP	CLIP	GOUPILLE



	REF	OEM				
42	REC679-44150-10	83881M	EJE SELECTOR L	SHAFT SELECTOR L	ASSE SELETTORE L	ARBRE SELECTEUR L
	REC679-44150-00	83882M	EJE SELECTOR S	SHAFT SELECTOR S	ASSE SELETTORE S	ARBRE SELECTEUR S
43	REC650-44147-00	82881M	FUELLE EJE	BOOT, SHIFT ROD	BOOT, SHIFT ROD	SOUFFLET
44	REC679-44152-00	83883M	BUJE LEVE DE CAMBIO	HUBE GEAR LEVE	MOZZO LEVA CAMBIO	LEVIER DE VITESSE
45	PAGB/T97.1-6	12-82214M	ARANDELA PLANA	WASHER	RONDELLA	RONDELLE
46	REC93606-12019	17-82364M	PIN CENTRADOR	PIN DOWEL	SPINOTTO DI CENTRAGGIO	CLAVETTE DE CENTRAGE
47	REC93315-32224	31-82316M	COJINETE	BEARING	CUSCINETTO	ROULEMENT
48	REC679-45536-00	83868M	CAMISA EJE TRASMISION	BUSHING NYLON	CAMICIA ASSE TRASMISSIONE	AXE TRANSMISSION
	PAT40-04000003-1	15-19148M	GRUESO (0.10mm)	SHIM (0.10mm)	SPESSORE (0.10mm)	CALE (0.10mm)
	PAT40-04000003-2	15-81469M	GRUESO (0.12mm)	SHIM (0.12mm)	SPESSORE (0.12mm)	CALE (0.12mm)
	PAT40-04000003-3	15-19149M	GRUESO (0.15mm)	SHIM (0.15mm)	SPESSORE (0.15mm)	CALE (0.15mm)
49	PAT40-04000003-4	15-19150M	GRUESO (0.18mm)	SHIM (0.18mm)	SPESSORE (0.18mm)	CALE (0.18mm)
	PAT40-04000003-5	15-19151M	GRUESO (0.30mm)	SHIM (0.30mm)	SPESSORE (0.30mm)	CALE (0.30mm)
	PAT40-04000003-6	15-19152M	GRUESO (0.40mm)	SHIM (0.40mm)	SPESSORE (0.40mm)	CALE (0.40mm)
	PAT40-04000003-7	15-19153M	GRUESO (0.50mm)	SHIM (0.50mm)	SPESSORE (0.50mm)	CALE (0.50mm)
50	PAT40-04000027	31-98933M	COJINETE	BEARING	CUSCINETTO	ROULEMENT
51	REC679-45501-10	45-83867M	EJE L	SHAFT L	ASSE L	ARBRE L
52	REC90280-04M00	28-83444M	CHAVETA	KEY	CHIAVETTA	CLAVETTE
53	REC93101-22067	26-83406M	RETÉN DE ACEITE	SEAL OIL	PARAOILIO	JOINT SPI
54	REC93210-41042	25-82275M	TÓRICA	O-RING	O-RING	JOINT TORIQUE
55	REC663-45376-00	81449M	GUIA RETEN	GUIDE RUB. SEAL	GUIDA PARAOLIO	GUIDE
56	REC663-45375-00	81448M	GOMA SELLADORA	SEALING RUBBER	ANELLO SIGILLANTE	JOINT CAOUTCHOUC
57	REC679-44316-A0	27-83865M	JUNTA	GASKET	GUARNIZIONE	JOINT
58	REC679-44341-00	46-83864M	CAJA BOMBA DE AGUA	WATER PUMP HOUSING	SCATOLA POMPA ACQUA	BASE DE POMPE À EAU
59	PAF25-04000007	17-82354M	PASADOR	PIN	FERMO	GOUPILLE
60	REC676-44324-A0	27-83399M	JUNTA	GASKET	GUARNIZIONE	JOINT
61	REC676-44323-00-40	83400M	PLACA EXTERIOR DEL CARTUCHO	OUTER PLATE	PLACCA ESTERNA	PLAQUE DE POMPE À EAU
62	REC676-44315-00	27-83398M	JUNTA	GASKET	GUARNIZIONE	JOINT
63	REC6F5-44352-00	47-99971M	IMPULSOR	IMPELLER	GIRANTE	TURBINE
64	REC676-44322-00	83403M	CASQUILLO INOX	CARTRIDGE INSERT	BOCCOLA	INSERT DE POMPE À EAU
65	REC663-44366-00	26-81426M	RETEN TUBO AGUA	DAMPER, WATER SEAL	GHIERA	JOINT DE TUBE D'EAU
66	REC676-44311-00	46-83396M	CAJA BOMBA DE AGUA	WATER PUMP HOUSING	SCATOLA POMPA ACQUA	CORPS DE POMPE À EAU
67	PAGB/T97.1-8	12-82217M	ARANDELA PLANA	WASHER	RONDELLA	RONDELLE
68	REC97095-08055	10-84057M	PERNO	BOLT	BOULONE	BOULON
69	REC97095-08045	10-82468M	PERNO	BOLT	BOULONE	BOULON
70	PAT40-02000002	26-81427M	GOMA DEL SELLO DE AGUA	GUIDE BUSHING, WATER PIPE	GUARNIZIONE	GUIDE DE PIPE D'EAU
71	REC90430-12072	25-81989M	JUNTA	GASKET	GUARNIZIONE	JOINT
72	REC676-44361-00	32-83451M	TUBO S	TUBE S	TUBO S	TUBE S
	REC676-44361-10	32-83452M	TUBO L	TUBE L	TUBO L	TUBE L
73	PAF25-02000019	12-81852M	GOMA DEL SELLO DE AGUA	GUIDE BUSHING, WATER PIPE	GUARNIZIONE	GUIDE DE PIPE D'EAU



2T 60 (2 CYL) (675)
STROKES



REF	OEM
REC698-W0001-21	27-92648M

REF	OEM
REC663-W0078-01	84188T

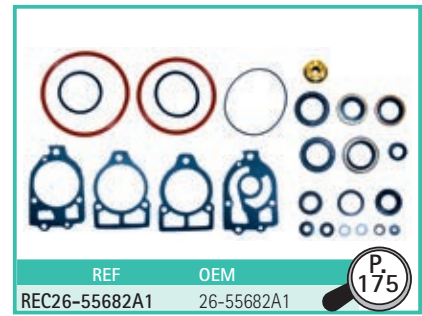
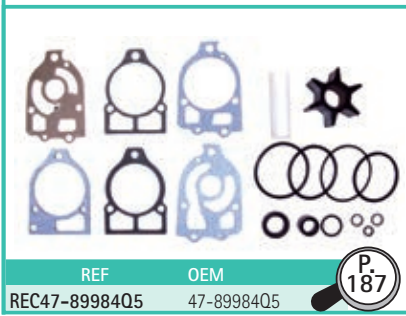
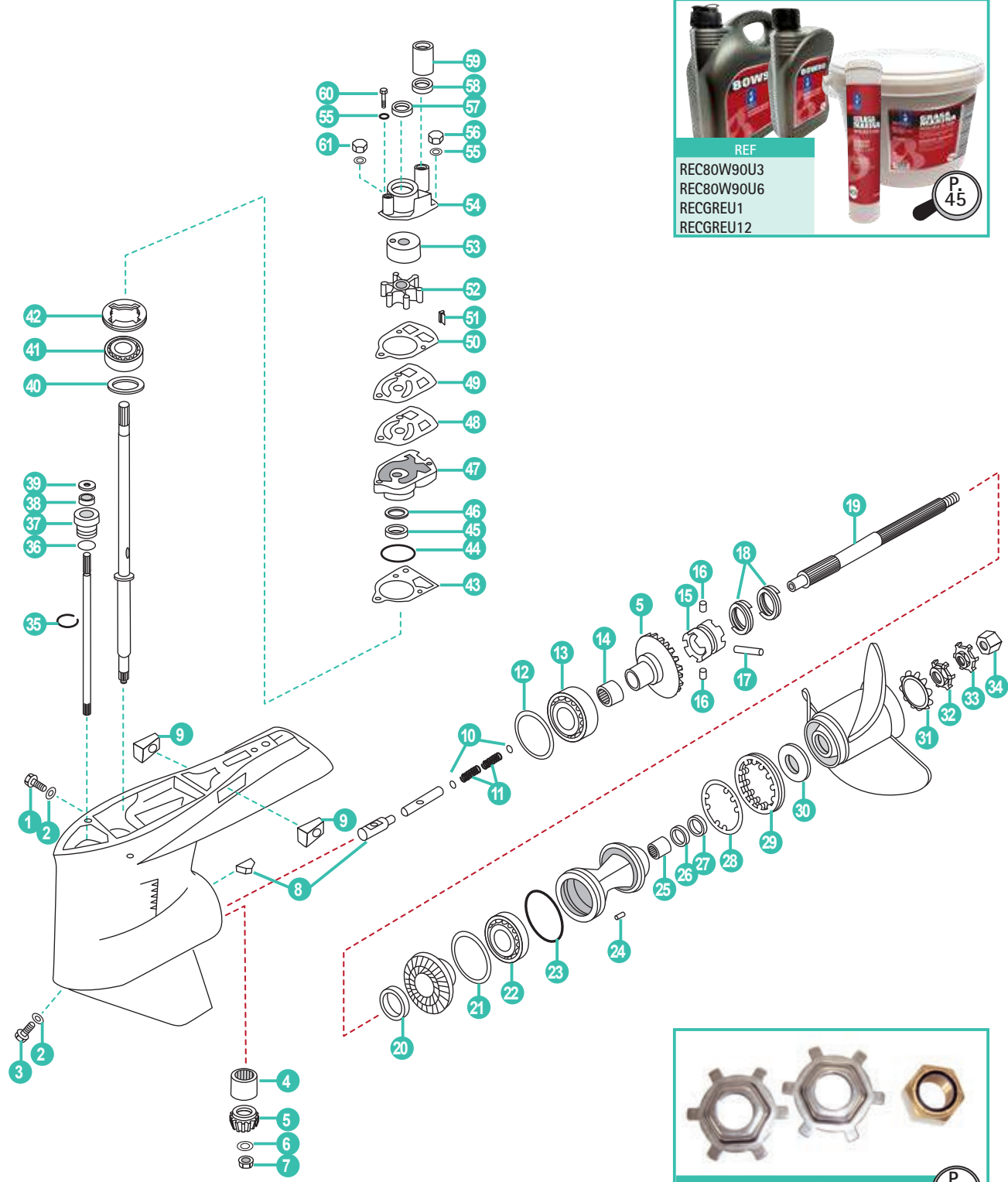
P 187

REF
REC80W90U3
REC80W90U6
RECGREU1
RECGREU12

P 45

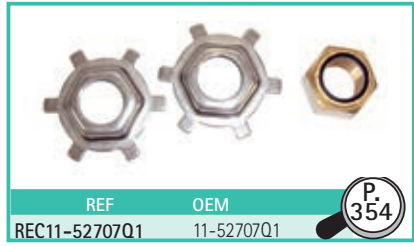
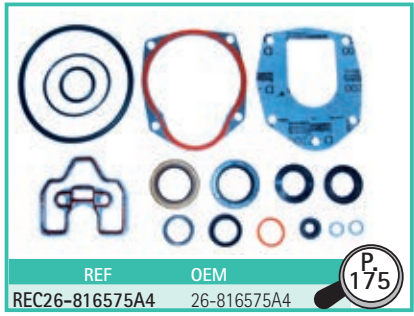
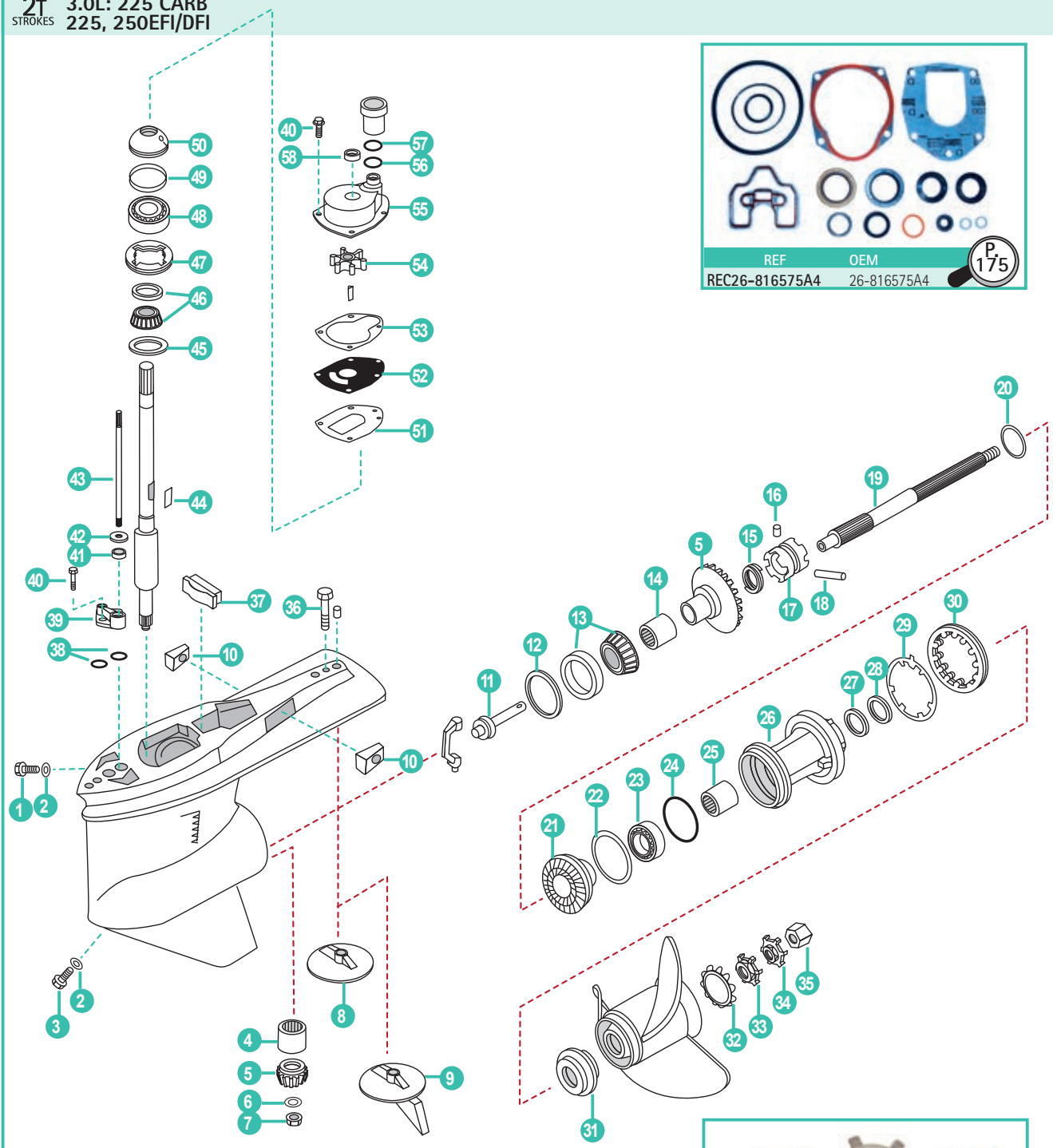
	REF	OEM				
1	REC90430-08020	27-81987M	JUNTA	GASKET	GUARNIZIONE	JOINT DE VIDANGE
2	REC90340-08002	22-81924M	TORNILLO	STRAIGHT SCREW	VITE	VIS
3	REC688-45341-00	22-95632M	TAPÓN, DRENAJE	PLUG, DRAIN	VITE DRENAGGIO	BOUCHON DE VIDANGE
4	REC97075-10040	10-82474M	PERNO	BOLT	PERNO	BOULON
5	TEN01101	83859M	ÁNODO	ANODE	ANODO	ANODE
6	REC663-45552-00	12-81455M	COJINETE PLANO	BEARING, PLAIN	CUSCINETTO PIATTO	ROULEMENT
7	REC697-45551-00	43-84208M	PIÑÓN ATAQUE	INITIATIVE GEAR	MARCIA INIZIATIVA	PIGNON D'ATTAQUE
8	REC90170-12138	11-81772M	TUERCA	NUT	DADO	ÉCROU
9	REC663-44151-00	81409M	LEVA DE CAMBIO	CAM SHIFT	ALBERO	CAME
10	REC688-45635-00	81476M	PLUNGER, SHIFT	ÉMBOLO DE CAMBIO	CAMBIO PISTONE	PISTON
11	REC663-45634-00	81475M	DESLIZADOR CAMBIO	SLIDE, SHIFT	SCORREVOLE	DOUILLE
12	REC90501-16233	24-82091M	RESORTE DE COMPRESIÓN	SPRING	MOLLA	RESSORT
13	REC93332-00003	31-82320M	COJINETE	BEARING	CUSCINETTO	ROULEMENT
14	REC697-45560-00	43-84206M	PIÑÓN MARCHA AVANTE	POSITIVE GEAR ASSY	PIGNONE MARCIA AVANTI	PIGNON DE MARCHÉ AVANT
15	REC663-45631-00	52-81473M	EMBRAGUE DE GARRA	CLUTCH, DOG	GIUNTO A DENTI FRONTALE	CRABOT
16	REC90250-06023	17-81903M	PASADOR CILÍNDRICO	PIN, STRAIGHT	SPINOTTO	PIN
17	REC663-45633-00	81474M	ANILLO DE PASADOR	RING, CROSS PIN	O-RING	JOINT TORIQUE
18	REC697-45611-00	44-81472M	EJE PROPULSOR	SHAFT PROPELLER	ASSE	ARBRE D'HELICE
19	REC90201-22429	12-81837M	ARANDELA PLANA	WASHER, PLATE	RONDELLA	RONDELLE
20	REC697-45570-00	43-84207M	PIÑÓN MARCHA ATRÁS	REVERSE GEAR	PIGNONE MARCIA INDIETRO	PIGNON MARCHÉ ARRIÈRE
21	REC93306-00702	30-82296M	COJINETE	BEARING	CUSCINETTO	ROULEMENT
22	REC93210-66M98	25-82289M	ANILLO O	O- RING	O-RING	JOINT TORIQUE
23	REC663-45331-00-94	81446M	CAJA DE COJINETE	HOUSING, BEARING	SEDE CUSCINETTO	DIABOLO
24	REC90282-04010	28-81916M	CHAVETA	KEY, STRAIGHT	CHIAVETTA	CLAVETTE
25	REC93317-22204	31-82317M	COJINETE	BEARING	CUSCINETTO	ROULEMENT
26	REC93101-22067	26-82233M	SELLO ACEITE	OIL SEAL	PARAOLIO	JOINT SPI
27	REC90214-48M03	14-81877M	ARANDELA	WASHER	RONDELLA	RONDELLE
28	REC697-45384-00	11-81450M	TUERCA	NUT	DADO	ÉCROU
29	REC663-45987-00	73345	ESPACIADOR	SPACER	DISTANZIALE	ENTRETOISE
30	REC670-45997-00		ESPACIADOR	SPACER	DISTANZIALE	ENTRETOISE
31	REC92990-16200		ARANDELA PLANA	WASHER, PLAIN	RONDELLA	RONDELLE
32	REC90171-16011	11-81775M	TUERCA ENTALLADA	NUT, CASTLE	DADO	ÉCROU D'HELICE
33	REC91490-30025	18-82135M	CHAVETA	PIN, COTTER	CHIAVETTA	GOUPILLE
34	REC663-44144-01	81408M	VARILLA DE CAMBIO	ROD, SHIFT	ASTICELLA	LEVIER DE VITESSE
35	REC99001-08600-00	53-82334M	CLIP	CLIP	CLIP	CLAVETTE
36	REC93210-49046	25-82281M	ANILLO	O-RING	O-RING	JOINT TORIQUE
37	REC93106-09014	26-82257M	RETÉN DE ACEITE	OIL SEAL	PARAOLIO	JOINT SPI
38	REC93315-32224	31-82316M	COJINETE DE RODILLOS	BEARING	CUSCINETTO	ROULEMENT
39	REC93332-00001	31-82319M	COJINETE	BEARING	CUSCINETTO	ROULEMENT
40	REC663-45510-01	45-81451M	EJE DE MANDO	DRIVE SHAFT ASSY	ASSE VERTICALE	ARBRE VERTICAL
41	REC90280-03M03	28-81912M	CHAVETA	KEY, WOODRUFF	CHIAVE	CLAVETTE
42	REC93101-23070	26-82234M	SELLO ACEITE	OIL SEAL	PARAOLIO	JOINT SPI
43	REC93210-41042	25-82275M	ANILLO O	O-RING	O-RING	JOINT TORIQUE
44	REC663-44316-A0	27-81418M	EMPAQUE	GASKET, WATER PUMP	GUARNIZIONE	JOINT DE POMPE À EAU
45	REC663-44311-02	46-81422M	CAJA BOMBA	HOUSING, WATER PUMP	CORPO POMPA	BASE DE POMPE À EAU
46	REC663-44324-00	27-81421M	EMPAQUE	GASKET, CARTRIDGE	GUARNIZIONE	JOINT
47	REC663-44323-00	81420M	PLACA EXTERIOR	OUTTER PLATE	PIASTRA EXT.	PLAQUE DE POMPE À EAU
48	REC663-44315-A0	27-81417M	EMAPAQUE	GASKET, WATER PUMP	GUARNIZIONE	JOINT
49	REC6H3-44352-00	47-82824M	IMPULSOR	IMPELLER	GIRANTE	TURBINE
50	REC663-44322-00	81419M	CARTUCHO	INSERT CARTRIDGE	CARTUCCIA	INSERT DE POMPE À EAU
51	REC663-44366-00	26-81426M	GOMA SELLO	DAMPER, WATER SEAL	BOCCOLA GOMMA	BAGUE
52	REC663-44311-02	46-81416M	CAJA BOMBA	HOUSING, WATER PUMP	CORPO POMPA	CORPS DE POMPE À EAU
53	PAGB/T97.1-8	12-82217M	ARANDELA	WASHER	RONDELLA	RONDELLE
54	REC97095-08045	10-82468M	PERNO	BOLT	VITE	VIS
55	REC97095-08055	10-84057M	PERNO	BOLT	VITE	VIS

2T 2.0, 2.4, 2.5, V6
STROKES L4, L6, V6 (65-225 HP)



	REF	OEM				
1	REC10-79953Q04	10-79953Q2	TAPÓN, DRENAJE	PLUG, DRAIN	VITE DRENAGGIO	BOUCHON DE VIDANGE
2	REC12-191833	12-19183-3	JUNTA	GASKET	GUARNIZIONE	JOINT DE VIDANGE
3	REC22-67892A05	22-67892A1	TAPÓN, DRENAJE	PLUG, DRAIN	VITE DRENAGGIO	BOUCHON DE VIDANGE
4	REC387817	31-42647A1	COJINETE MODELOS V6	BEARING V6 MODELS	CUSCINETTO MODELLO V6	ROULEMENT V6
	REC31-32898T	31-32898T	COJINETE MODELOS EN LÍNEA	BEARING IN LINE MODELS	CUSCINETTO MODELLO IN LINEA	ROULEMENT LIGNE
5	REC43-859321A3	43-859321A3	MARCHA AVANTE (1.75:1)	P/FORWARD GEAR (1.75:1)	MARCIA IN AVANTI (1.75:1)	MARCHE AVANT (1.75:1)
6	REC350038	12-92721	ARANDELA	WASHER	RONDELLA	RONDELLE
7	REC11-35921	11-35921	TORNILLO	NUT	VITE	VIS
8	REC89594A1	89594A1	KIT EMPUJADOR	SHIFT KIT	KIT CAM/CAMBIO	KIT PISTON
9	CM826134	826134Q	ÁNODO ZINC	ANODE ZINC	ANODO ZINCO	ANODE ZINC
	CM826134A	826134Q	ÁNODO ALUMINIO	ANODE ALUMINUM	ANODO ALLUMINIO	ANODE ALUMINIUM
10	REC12-78910	12-78910	ARANDELA	WASHER	RONDELLA	RONDELLE
11	REC24-79910	24-79910	MUELLE	SPRING	MOLLA	RESSORT
12	REC15-47397A1	15-47397A1	KIT SUPLEMENTOS	SHIM SET	KIT SUPPLEMENTI	KIT CALE
13	REC31-30894A1	31-30894A1	COJINETE MODELOS EN LÍNEA	BEARING IN LINE MODELS	CUSCINETTO MODELLO IN LINEA	ROULEMENT LIGNE
	REC31-78172A1	31-78172A1	COJINETE MODELOS V 3.543"	BEARING V-MODELS 3.543"	CUSCINETTO MODELLO V 3.543"	ROULEMENT V3.543"
14	REC382343	31-54928-1	COJINETE MODELOS V	BEARING V-MODELS	CUSCINETTO MODELLO V	ROULEMENT V
	REC31-30895T	31-30895T	COJINETE MODELOS EN LÍNEA	BEARING IN LINE MODELS	CUSCINETTO MODELLO IN LINEA	ROULEMENT LIGNE
	REC52-853594T	52-853594T	SELECTOR	CLUTCH DOG	SELETTORE	CRABOT
	REC52-853594T	52-853594T	SELECTOR MODELOS V SIN PASADOR	CLUTCH DOG V-MODELS NON-RACHETING	SELETTORE MODELLO V SENZA SPINOTTO	CRABOT V SANS PIN
15	REC17-828356	17-828356	PASADOR (VERSIÓN 2 PINES)	DETENT PIN (DOUBLE PIN VERSION)	CHIAVETTA (2 SPINOTTI)	CLAVETTE (2 PINS)
17	REC17-8M0084681	17-30632	PASADOR MODELOS EN LÍNEA	CROSS PIN IN LINE MODELS	CHIAVETTA MODELLO IN LINEA	CLAVETTE LIGNE
	REC17-8M0084243	17-78905	PASADOR MODELOS V	CROSS PIN V-MODELS	CHIAVETTA MODELLO V	CLAVETTE V
18	REC24-30893	24-30893	MUELLE (VERSIÓN SIMPLE)	SPRING (SINGLE VERSION)	MOLLA (VERSIONE SIMPLE)	RESSORT (SIMPLE)
	REC24-78962	24-78962	MUELLE (VERSIÓN DOBLE)	SPRING (DOUBLE VERSION)	MOLLA (VERSIONE DOPPIA)	RESSORT (DOUBLE)
19	REC44-94148	44-94148	EJE HÉLICE (V6)	PROP SHAFT (V6)	ASSE ELICA (V6)	AXE D'HÉLICE (V6)
20	REC23-824108	23-824108	ESPACIADOR	THRUST SPACER	DISTANZIALE	ENTRETOISE
21	REC681001	68100-1	ARO	THRUST RING	O-RING	ENTRETOISE DE PIGNON
22	REC30-88957T	30-88957T	COJINETE	BEARING	CUSCINETTO	ROULEMENT
23	REC25-31534	25-896524	ARO TÓRICO	O-RING	O-RING	JOINT TORIQUE
24	REC28-30281	28-30281	CHAVETA	KEY	CHIAVETTA	CLAVETTE
25	REC387247	31-30956T	COJINETE	BEARING	CUSCINETTO	ROULEMENT
26	REC26-76868	26-76868	RETÉN ACEITE	OIL SEAL	PARAOILIO	JOINT SPI
27	REC26-12224	26-12224	RETÉN ACEITE	OIL SEAL	PARAOILIO	JOINT SPI
28	REC14-79447	14-79447	ARANDELA CIERRE	KEYED WASHER	RONDELLA CHIUSURA	RONDELLE
29	REC8M2011027	79448	TOPE TUERCA	COVER NUT	PUNTA DADO	ÉCROU A CRENAUX P
30	REC12-835467Q01	12-835467-1	TOPE HÉLICE	THRUST HUB	PUNTA ELICA	RONDELLE D'HÉLICE
31	REC13-423511	13-42351-1	CIERRE HÉLICE	LOCKWASHER	CHIUSURA ELICA	RONDELLE FREIN
32	REC12-31211Q03	12-31211A3	ARANDELA	WASHER	RONDELLA	RONDELLE
33	REC90508-ZW1-003	14-816629Q	ARANDELA	TAB WASHER	RONDELLA	RONDELLE
34	REC90301-ZW1-003	11-827614	TUERCA	LOCK NUT	DADO	ÉCROU
35	REC53-29641	53-29641	ARO RETENEDOR	RETAINING RING	CLIP	CLIPS
36	REC25-25439	25-25439	ARO TÓRICO	O-RING	O-RING	JOINT TORIQUE
37	REC23-77631A2	23-77631A2	CASQUILLO	BUSHING	GHIERA	INSERT
38	REC26-8164641	26-816464-1	RETÉN ACEITE	OIL SEAL	PARAOILIO	JOINT SPI
39	REC12-77674	12-77674	JUNTA	GASKET	GUARNIZIONE	JOINT
40	REC15-42637A1	15-42637A1	KIT SUPLEMENTOS	SHIM SET	KIT SUPPLEMENTI	KIT CALE
41	REC31-53079A1	31-63079A1	COJINETE (EJE 11163)	BEARING (SHAFT 11163)	CUSCINETTO (ASSE 11163)	ROULEMENT (AXE 11163)
	REC31-36387A1	31-36387A1	COJINETE	BEARING	CUSCINETTO	ROULEMENT
42	REC8245191	824519-1	RETENDOR	RETAINER	RITENITORE	RETENUE
43	REC27-426311	27-42631-1	JUNTA	GASKET	GUARNIZIONE	JOINT
44	REC25-90011	25-90011	ARO TÓRICO	O-RING	O-RING	JOINT TORIQUE
45	REC26-89238	26-89238	RETÉN ACEITE	OIL SEAL	PARAOILIO	JOINT SPI
46	REC26-16977	26-16977	RETÉN ACEITE	OIL SEAL	PARAOILIO	JOINT SPI
47	REC46-8M0077147	46-42579A3	BASE BOMBA	PUMP BASE	BASE POMPA	BASE POMPE
48	REC27-856081	27-85608-1	JUNTA	GASKET	GUARNIZIONE	JOINT
49	REC324351	32435	CIERRE BOMBA	WEAR PLATE	CHIUSURA POMPA	PLAQUE POMPE D'EAU
50	REC27-858524	27-858524	JUNTA	GASKET	GUARNIZIONE	JOINT
51	REC8M0032834	28-56654	CHAVETA	KEY	CHIAVETTA	CLAVETTE
52	REC47-89984T4	47-89984T4	IMPULSOR	IMPELLER	GIRANTE	TURBINE
53	REC48752T	48752T	TAPA BOMBA	PUMP CUP	COPERCHIO POMPA	COUVERCLE DE POMPE
54	REC46-96148T1	46-96148T1	CUERPO BOMBA	PUMP HOUSING	CORPO POMPA	CORPS DE POMPE A EAU
55	REC12-29245	12-29245	ARANDELA	WASHER	RONDELLA	RONDELLE
56	REC11-8267089	11-13438	TUERCA	NUT	DADO	ÉCROU
57	REC25-30271	25-30271	PASADOR	SLINGER	CHIAVETTA	PIN
58	REC26-38970	26-38970	RETÉN	SEAL	TENUTA	JOINT SPI
59	REC23-29804T	23-29804	TUBO GUÍA	TUBE GUIDE	TUBO GUIDA	TUBE GUIDE
60	REC10-96411	10-96411	TORNILLO	SCREW	VITE	VIS
61	REC11-13436	11-13436	TUERCA	NUT	DADO	ÉCROU

2T 3.0L: 225 CARB
STROKES 225, 250EFI/DFI





	REF	OEM				
1	REC10-79953Q04	10-79953Q2	TORNILLO	SCREW SET	VITE	VIS
2	REC12-191833	12-19183-2	JUNTA	GASKET	GUARNIZIONE	JOINT DE VIDANGE
3	REC22-67892A05	22-67892A1	TORNILLO DRENAJE	DRAINING SCREW	VITE DRENAGGIO	VIS DE VIDANGE
4	REC387817	31-42647A1	COJINETE	BEARING	CUSCINETTO	ROULEMENT
5	REC43-859321A3	43-859321A3	KIT PIÑONES ATAQUE (1.75:1)	P/FORWARD GEAR (1.75:1)	KIT PIGNONI AVANTI (1.75:1)	KIT MARCHE AVANT (1.75:1)
6	REC350038	12-92721	ARANDELA	WASHER	RONDELLA	RONDELLE
7	REC11-35921	11-35921	TUERCA	NUT	DADO	ÉCROU
8	CM762145	76214Q5	ÁNODO ZINC	ANODE ZINC	ANODO ZINCO	ANODE ZINC
	CM762145A	76214Q5	ÁNODO ALUMINIO	ANODE ALUMINUM	ANODO ALLUMINIO	ANODE ALUMINIUM
9	CM31640	31640Q4	ÁNODO ZINC	ANODE ZINC	ANODO ZINCO	ANODE ZINC
	CM31640A	31640Q4	ÁNODO ALUMINIO	ANODE ALUMINUM	ANODO ALLUMINIO	ANODE ALUMINIUM
10	CM826134	826134Q	ÁNODO ZINC	ANODE ZINC	ANODO ZINCO	ANODE ZINC
	CM826134A	826134Q	ÁNODO ALUMINIO	ANODE ALUMINUM	ANODO ALLUMINIO	ANODE ALUMINIUM
11	REC818349T1	818349T1	EJE CAMBIO	SHIFT SPOOL	ASSE CAMBIO	AXE DE CHANGEMENT
12	REC15-47397A1	15-47397A1	SUPLEMENTO (3.500 O.D.)	SHIM (3.500 O.D.)	SPESSORE (3.500 O.D.)	CALE (3.500 O.D.)
	REC15-44491A1	15-44491A1	SUPLEMENTO (3.265 O.S.)	SHIM (3.265 O.S.)	SPESSORE (3.265 O.S.)	CALE (3.265 O.S.)
13	REC31-35928T1	31-35928A1/T1	COJINETE (1.875 I.D./3.500 O.D.)	BEARING (1.875 I.D./3.500 O.D.)	CUSCINETTO (1.875 I.D./3.500 O.D.)	ROULEMENT (1.875 I.D./3.500 O.D.)
	REC31-828439A2	31-828439A2	COJINETE (1.875 I.D./3.265 O.D.)	BEARING (1.875 I.D./3.265 O.D.)	CUSCINETTO (1.875 I.D./3.265 O.D.)	ROULEMENT (1.875 I.D./3.265 O.D.)
	REC31-30894A1	31-30894A1	COJINETE (1.750 I.D./3.265 O.D.)	BEARING (1.750 I.D./3.265 O.D.)	CUSCINETTO (1.750 I.D./3.265 O.D.)	ROULEMENT (1.750 I.D./3.265 O.D.)
14	REC31-30895T	31-30895T	COJINETE	BEARING	CUSCINETTO	ROULEMENT
15	REC24-30893	24-30893	MUELLE	SPRING	MOLLA	RESSORT
16	REC17-828356	17-828356	TAPA PASADOR	DETENT PIN	CHIAVETTA	PIN
17	REC52-853594T	52-853594T	SELECTOR	CLUTCH DOG	SELETTORE	CRABOT
	REC52-859340T	52-859340T	SELECTOR	CLUTCH DOG	SELETTORE	CRABOT
18	REC17-8M0084681	17-30632	PASADOR	CROSS PIN	CHIAVETTA	CLAVETTE
19	REC44-824110	44-824110	EJE HÉLICE	PROP SHAFT	ASSE ELICA	AXE D'HÉLICE
20	REC23-824108	23-824108	ESPACIADOR	THRUST SPACER	DISTANZIAELE	ENTRETOISE
21	REC43-828073A1	43-828073A1	KIT PIÑONES M. ATRÁS (1.62:1)	REVERSE GEAR (1.62:1)	KIT PIGNONI INDIETRO (1.62:1)	KIT MARCHE ARRIÈRE (1.62:1)
22	REC681001	68100-1	ARO	THRUST RING	O-RING	ENTRETOISE DE PIGNON
23	REC30-88957T	30-88957T	COJINETE	BEARING	CUSCINETTO	ROULEMENT
24	REC25-31534	25-31534	ARO TÓRICO	O-RING	O-RING	JOINT TORIQUE
25	REC387247	30-30956	COJINETE	BEARING	CUSCINETTO	ROULEMENT
26	REC818763A10	818763A11/T11	COJINETE COLA	BEARING CARRIER	CUSCINETTO PIEDE	DIABOLO
27	REC26-76868	26-14077 26-76868	RETÉN	OIL SEAL	PARAOLIO	JOINT SPI
28	REC26-12224	26-12224	RETÉN	OIL SEAL	PARAOLIO	JOINT SPI
29	REC14-18323	14-18323	ARANDELA	TAB WASHER	RONDELLA	RONDELLE
30	REC8M2011027	79448	TUERCA CIERRE	COVER NUT	DADO CHIUSURA	ECROU À CRENAUX
31	REC12-31211Q01	12-835467	TOPE HÉLICE	THRUST WASHER	PUNTA ELICA	RONDELLE BUTEE D'HELICE
32	REC13-423511	13-42351-1	CIERRE	LOCKWASHER	CHIUSURA	RONDELLE FREIN
33	REC12-31211Q03	12-31211A3	TOPE CIERRE	TAB WASHER RECEIVER	PUNTA CHIUSURA	RONDELLE FREIN DE DIABOLO
34	REC90508-ZW1-003	14-816629	CIERRE HELICE	TAB WASHER	CHIUSURA ELICA	RONDELLE FREIN
35	REC11-52707Q1	11-827614Q	TUERCA CIERRE	LOCK NUT	DADO CHIUSURA	KIT ÉCROU D'HÉLICE
36	REC10-806327	10-806327	TORNILLO	SCREW	VITE	VIS
37	REC821526001	821526	TAPÓN SEPARADOR	FILLER BLOCK	TAPPO	PROTECTION CAOUTCHOU
38	REC25-36318	25-36318	ARO TORICO	O-RING	O-RING	JOINT TORIQUE
39	REC23-815921A21	23-815921A4	CUERPO VARILLA	SHIFT BUSHING	CORPO ASTICELLA	INSERT D'AXE
40	REC10-816928	10-19937-16	TORNILLO	SCREW	VITE	VIS
41	REC26-8164641	26-816464-1	RETÉN	OIL SEAL	PARAOLIO	JOINT SPI
42	REC12-77674	12-77674	JUNTA	GASKET	GUARNIZIONE	JOINT
43	REC824145	824145	EJE CAMBIO	SHIFT SHAFT	ASSE CAMBIO	AXE DE CHANGEMENT
44	REC28-8M0032833	28-43037	CHAVETA	KEY	CHIAVETTA	CLAVETTE
45	REC15-42637A1	15-42637A1	SUPLEMENTO	SHIM	SPESSORE	CALE
46	REC31-36387A1	31-36387A1	COJINETE	BEARING	CUSCINETTO	ROULEMENT
47	REC8245191	824519-1	RETENEDOR	RETAINER	RITENETORE	RETENUE
48	REC26-66302	26-66302	RETÉN	OIL SEAL	PARAOLIO	JOINT SPI
49	REC25-90011	25-90011	ARO TÓRICO	O-RING	O-RING	JOINT TORIQUE
50	REC807929A1	807929A1	BASE BOMBA	CARRIER ASSY.	BASE POMPA	BASE DE POMPE
51	REC27-430331	27-43033-1	JUNTA	GASKET	GUARNIZIONE	JOINT
52	REC8172761	817276-1	TAPA BOMBA	WEAR PLATE	COPERCHIO POMPA	CORPS DE POMPE
53	REC27-8172771	27-817277-1	JUNTA	GASKET	GUARNIZIONE	JOINT
54	REC47-43026Q02	47-43026T2	IMPULSOR	IMPELLER	GIRANTE	TURBINE
55	RM817275A1	817275A1	TAPA BOMBA	WATER PUMP ASSY.	COPERCHIO POMPA	COUVERCLE POMPE
56	REC25-21836	25-21836	ARO TÓRICO	O-RING	O-RING	JOINT TORIQUE
57	REC25-35027	25-35027	ARO TÓRICO	O-RING	O-RING	JOINT TORIQUE
58	REC26-816575A2	26-816575A2	RETÉN GOMA	FACE SEAL	TENUTA GOMMA	RETENU EN CAOUTCHOU

GUÍA KITS DE PIÑONES

GEAR SETS GUIDE

GUIDA KIT PIGNONI

GUIDE KITS DES PIGNONS

🔧	REDUCCIÓN RATIO RIDUZIONE REDUCTION	DIENTES JAW DENTI DENTS	KIT COMPLETO COMPLETE GEAR SET KIT COMPLETO KIT COMPLET		KIT 			
			REF	OEM	REF	OEM	REF	OEM
40 - 50 HP (3 CYL)	9973100	1.83:1 (12:22)			REC43-803498T1	43-803498T1	REC43-822163T1	43-822163T1
50 HP (3 CYL)	9683055 - 9973099							
55 HP (3 CYL)	9741042	1.64:1 (14:23)			REC43-803499T1	43-803499T1		43-813695T
60 HP (3 CYL)	9683055							
L4 100 HP (1.85L)	9523034	2.07:1 (14:29)						
L4 115 HP (1.85L)								
115 EFI (1.75L)	955971	Selector Cluth Selettore Crabot REC52-850048T	6	REC11557		43-803028T1 43-881260A5		43-850036T
115 Optimax (1.50L)								
L4 125 HP (1.85L) Classic	9793577							
V6 200, 225 (3.0 L DFI) (1998+)	OG590000+	1.75:1 (12:21)			REC43-859321A3	43-859321A3		43-8859322A1
V6 225, 250 (3.0 L EFI) (1995+)	OG129222+							
V6 225 Seapro (3.0 L Carb) (1994-98)	OG245605 - OG437999	1.62:1 (13:21)	6		REC43-878087A2	43-878087A2	REC43-828073A1	43-828073A1
V6 225 (3.0 L Carb) (1994-98)	OD280813+							
V6 150 HP (1985)	6616991 - OA904645							
V6 175 HP (1980-81)	5393737 - 668750	2.0 (14:28)		REC11770		43-803619T1		43-85462T
V6 200 HP (1980-81)	5393737 - 607319							
V6 150 HP (XR4, MAG III) 150 EFI (1993-98)	OD082000 - OG437999							
V6 175, 175 EFI (1985-98)	661875 - OG437999	1.87:1 (15:28)		REC43-44104T2	43-44104T2		43-44104A8	43-824986A2
V6 200, 200 EFI (1985-98)	6625221 - OG437999							
V6 220 HP (1987-88)	B117319 +							
V6 225 HP	6437999							
V6- 3.0 L Carb		1.62 (13:21)			43-828072A2		43-828072A2	43-828073A1
V6 225 Marathon								
V6 225 Seapro								



REC11557



REC11770



REC43-44104T2



REC43-803498T1



REC43-859321A3



REC43-878087A2



REC43-822163T1



REC43-828073A1

GUÍA PIÑONES

GEAR GUIDE

GUIDA PIGNONI

GUIDE DES PIGNONS

	CYL			KIT			
40	4	1989	USA	0C159200 +			REC31-38356A1
40	4	1989	BEL	9570790			REC31-38356A1
45	4	1986	USA	5531630			REC31-38356A1
45	4	1986	AUS	8063985			REC31-38356A1
45	4	1986	BEL	9248006			REC31-38356A1
45	4	1986	CAN	7143688			REC31-38356A1
50	4	1980-85	USA	5531630			REC31-38356A1
50	4	1980-85	AUS	8063985			REC31-38356A1
50	4	1980-85	BEL	9248006			REC31-38356A1
50	4	1980-85	CAN	7143688			REC31-38356A1
40	3	1997-98	USA	0G531301 +	REC43-803498T1	REC43-822163T1	REC31-66668A1
40	3	1997-98	BEL	9973100	REC43-803498T1	REC43-822163T1	REC31-66668A1
50	3	1991-95	USA	0D000750 - 0G589999	REC43-803499T1		REC983892
50	3	1991-95	BEL	9683055 - 9973099	REC43-803499T1		REC983892
50	3	1998	USA	0G590000 +	REC43-803498T1	REC43-822163T1	REC31-66668A1
50	3	1998	BEL	9973100	REC43-803498T1	REC43-822163T1	REC31-66668A1
55	3	1996	USA	0D000750 +	REC43-803499T1		REC983892
55	3	1996	BEL	9741042	REC43-803499T1		REC983892
60 Standard, Non-Bigfoot	3	1991-95	USA	0D000750 +	REC43-803499T1		REC983892
60 Standard, Non-Bigfoot	3	1991-95	BEL	9683055	REC43-803499T1		REC983892
60 3 Jaw Rev. Clutch Bigfoot	3	1991-95	USA	0D000750 - 0G589999			REC31-30894A1
60 3 Jaw Rev. Clutch Bigfoot	3	1991-95	BEL	9683055-9973099			REC31-30894A1
60 6 Jaw Rev. Clutch Bigfoot	3	1991-95	USA	0D000750 - 0G589999			REC31-30894A1
60 6 Jaw Rev. Clutch Bigfoot	3	1991-95	BEL	9683055 - 9973099			REC31-30894A1
60 6 Jaw Rev. Clutch Bigfoot	3	1998	USA	590000			REC31-30894A1
60 6 Jaw Rev. Clutch Bigfoot	3	1998	BEL	9973100			REC31-30894A1
70 3 Jaw Rev. Clutch	3	1987	USA	0A996142 - 0C221999			REC31-30894A1
70 3 Jaw Rev. Clutch	3	1987	BEL	9483121 - 9589038			REC31-30894A1
70 6 Jaw Rev. Clutch	3	1987	USA	0A996142 - 0C221999			REC31-30894A1
70 6 Jaw Rev. Clutch	3	1987	BEL	9483121 - 9589038			REC31-30894A1
75 3 Jaw Rev. Clutch	3	1990-93	USA	0A996142 +			REC31-30894A1
75 3 Jaw Rev. Clutch	3	1990-93	BEL	9483121			REC31-30894A1
75 6 Jaw Rev. Clutch	3	1994-98	USA	0A996142 +			REC31-30894A1
75 6 Jaw Rev. Clutch	3	1994-98	BEL	9483121			REC31-30894A1
80 3 Jaw Rev. Clutch	3	1987	USA	0A996142 - 0C221999			REC31-30894A1
80 3 Jaw Rev. Clutch	3	1987	BEL	9483121 - 9589038			REC31-30894A1
80 6 Jaw Rev. Clutch	3	1987	USA	0A996142 - 0C221999			REC31-30894A1
80 6 Jaw Rev. Clutch	3	1987	BEL	9483121 - 9589038			REC31-30894A1
90 3 Jaw Rev. Clutch	3	1987	USA	0A996142 +			REC31-30894A1
90 3 Jaw Rev. Clutch	3	1987	BEL	9483121			REC31-30894A1
90 6 Jaw Rev. Clutch	3	1987	USA	0A996142 +			REC31-30894A1
90 6 Jaw Rev. Clutch	3	1987	BEL	9483121			REC31-30894A1
100 3 Jaw Rev. Clutch	4	1988-93	USA	0B209468 +			REC31-30894A1
100 3 Jaw Rev. Clutch	4	1988-93	BEL	9523034			REC31-30894A1
100 High Altitude 3 Jaw Rev. Clutch		1988-93	USA	0B209468 +			REC31-30894A1
100 High Altitude 3 Jaw Rev. Clutch		1988-93	BEL	9523034			REC31-30894A1
100 6 Jaw Rev. Clutch	4	1988-98	USA	0B209468 +	REC11557		REC31-30894A1
100 6 Jaw Rev. Clutch	4	1988-98	BEL	9523034	REC11557		REC31-30894A1
100 High Altitude 6 Jaw Rev. Clutch		1988-93	USA	0B209468 +			REC31-30894A1
100 High Altitude 6 Jaw Rev. Clutch		1988-93	BEL	9523034			REC31-30894A1
115 3 Jaw Rev. Clutch	4	1988-93	USA	0C100000 +			REC31-30894A1
115 3 Jaw Rev. Clutch	4	1988-93	BEL	9559771			REC31-30894A1
115 High Altitude 3 Jaw Rev. Clutch		1989-93	USA	0C100000 +			REC31-30894A1
115 High Altitude 3 Jaw Rev. Clutch		1989-93	BEL	9559771			REC31-30894A1
115 6 Jaw Rev. Clutch	4	1989-93	USA	0C100000 +	REC11557		REC31-30894A1
115 6 Jaw Rev. Clutch	4	1989-93	BEL	9559771	REC11557		REC31-30894A1
115 High Altitude 6 Jaw Rev. Clutch		1989-93	USA	0C100000 +			REC31-30894A1
115 High Altitude 6 Jaw Rev. Clutch		1989-93	BEL	9559771			REC31-30894A1
125 3 Jaw Rev. Clutch	4	1994-98	USA	0D283222 +			REC31-30894A1
125 3 Jaw Rev. Clutch	4	1994-98	BEL	9793577			REC31-30894A1
125 High Altitude 3 Jaw Rev. Clutch		1994-98	USA	0D283222 +			REC31-30894A1
125 High Altitude 3 Jaw Rev. Clutch		1994-98	BEL	9793577			REC31-30894A1
125 6 Jaw Rev. Clutch	4	1994-98	USA	0D283222 +	REC11557		REC31-30894A1
125 6 Jaw Rev. Clutch	4	1994-98	BEL	9793577	REC11557		REC31-30894A1

MERCURY

RECAMBIOS MARINOS

	CYL		KIT			
125 High Altitude 6 Jaw Rev. Clutch	1994-98	USA	OD283222 +			REC31-30894A1
125 High Altitude 6 Jaw Rev. Clutch	1994-98	BEL	9793577			REC31-30894A1
V-135 Std. Rotation, 2:1 Ratio,	1986-88	USA	0A904646 - OG437999			REC31-78172A1
V-135 Counter Rotation,	1989-90	USA	OC100861 - OG437999			REC31-78172A1
V-135 Std. Rotation, 2:1 Ratio,	1997-04	USA	OG438000 +			REC31-30894A1
V-135 Counter Rotation,	1997-04	USA	OG438000 +			REC31-30894A1
V-135 DFI Std. Rotation, 2:1,	1998-04	USA	OG590000 +			REC31-30894A1
V-150 Std. Rotation, 2:1 Ratio,	1986-88	USA	0A904646 - OG437999			REC31-78172A1
V-150 Counter Rotation, 2:1,	1989-90	USA	OC100861 - OG437999			REC31-30894A1
V-150 (XR4, MAG II) Torpedo	1988-91	USA	OC239553 - 04303045			REC31-78172A1
V-150 (XR4, MAG III) Torpedo	1988-91	USA	OD082000 - OG437999	REC43-44104T2		REC31-78172A1
V-150 EFI Std. Rotation, 1.87:1,	1993-95	USA	OD082000 - OG437999	REC43-44104T2		REC31-78172A1
V-150 Std. Rotation, 2:1,	1996-98	USA	OG438000 +			REC31-30894A1
V-150 (XR6, MAG III) Std. Rot., 1.87:1,	1996-98	USA	OG438000 +			REC31-30894A1
V-150 EFI Std. Rot., 1.87:1,	1996-98	USA	OG438000 +			REC31-30894A1
V-150 DFI Std. Rot., 1.87:1,	1998	USA	OG590000 +			REC31-30894A1
V-175 Std. Rot	1980-81	USA	5393737 - 6618750	REC11770		REC31-78172A1
V-175 Std. Rot.,	1980-81	AUS	8064250	REC11770		REC31-78172A1
V-175 Std. Rot., 1.87:1 Ratio,	1985-88	USA	6618751 - OG437999	REC43-44104T2		REC31-78172A1
V-175 Counter Rot., 1.87:1 Ratio,	1985-88	USA	6618751 - OG437999			REC31-78172A1
V-175 EFI Std. Rot., 1.87:1,	1991	USA	OD000750 - OG437999	REC43-44104T2		REC31-78172A1
V-175 EFI Counter Rot., 1.87:1,	1991	USA	OD082000 - OG437999			REC31-78172A1
V-175 Std. Rot., 1.87:1,	1996-98	USA	OG438000 +			REC31-30894A1
V-175 Counter Rot., 1.87:1,	1996-98	USA	OG438000 +			REC31-30894A1
V-175 EFI Std. Rot., 1.87:1,	1996-98	USA	OG438000 +			REC31-30894A1
V-175 Counter Rot., 1.87:1,	1996-98	USA	OG438000 +			REC31-30894A1
V-200 Std. Rot.	1978-79	USA	5393737 - 6073191	REC11770		REC31-78172A1
V-200 Std. Rot.	1980-81	AUS	8061595 - 8065672	REC11770		REC31-78172A1
V-200 Std. Rot.	1982-84	USA	6073192 - 6625220			REC31-78172A1
V-200 Std. Rot., 1.87:1,	1985-88	USA	6625221 - OC291519	REC43-44104T2		REC31-78172A1
V-200 Std. Rot., 1.87:1,	1991	USA	OC291520 - OG437999	REC43-44104T2		REC31-78172A1
V-200 EFI Std. Rot., 1.87:1,	1989-90	USA	OC100861 - OC291519	REC43-44104T2		REC31-78172A1
V-200 EFI Std. Rot., 1.87:1,	1991	USA	OC291520 - OG437999	REC43-44104T2		REC31-78172A1
V-200 EFI Counter Rot., 1.87:1,	1992-95	USA	OD082000 - OG437999			REC31-78172A1
V-200 DFI Std. Rot., 1.87:1,	1997-04	USA	OG437999			REC31-35928T1
V-200 DFI Std. Rot., 1.75:1,	1997	USA	OG438000 +	REC43-859321A3		REC31-30894A1
V-200 DFI Counter Rot., 1.75:1,	1997	USA	OG386496 - OG437999			REC31-35928T1
V-200 Std. Rot., 1.87:1,	1996-98	USA	OG438000 +			REC31-30894A1
V-200 Counter Rot., 1.87:1,	1996-98	USA	OG438000 +			REC31-30894A1
V-200 EFI Std. Rot., 1.87:1,	1996-98	USA	OG438000 +			REC31-30894A1
V-200 Counter Rot., 1.87:1,	1996-98	USA	OG438000 +			REC31-30894A1
V-200 DFI Counter Rot., 1.75:1,	1997	USA	OG438000 +			REC31-30894A1
200 (3.0L) DFI Std. Rot., 1.75:1 Ratio	1998	USA	OG590000 +	REC43-859321A3		REC31-30894A1
200 (3.0L) Std. Rot., 1.75:1 Ratio	1998	USA	OG590000 +	REC43-859321A3		REC31-30894A1
225 (3.0L) DFI Std. Rot., 1.75:1 Ratio	1998	USA	OG590000 +	REC43-859321A3		REC31-30894A1
225 (3.0 Carb) Sea Pro , 1.62:1	1994-98	USA	- OG437999		REC43-828073A1	REC31-35928T1/ REC31-828439A2
225 (3.0 Carb) Sea Pro , 1.75:1	1994-98	USA	- OG437999			REC31-35928T1/ REC31-828439A2
V-220 Std. Rot., 1.87:1 Ratio	1987-88	USA	B117316 +	REC43-44104T2		REC31-78172A1
V-225 Std. Rot.,	1980-81	USA	5628028			REC31-78172A1
225 (3.0 Carb) Std. Rot., 1.62:1 Ratio	1994-98	USA	OD280813 +		REC43-828073A1	REC31-35928T1/ REC31-828439A2
225 (3.0L) EFI Std. Rot., 1.75:1 Ratio	1995-98	USA	OG129222-OG437999			REC31-30894A1
225 (3.0L) EFI Std. Rot., 1.75:1 Ratio	1995-98	USA	OG438000 +	REC43-859321A3		REC31-30894A1
225 (3.0L) EFI Std. Rot., 1.87:1 Ratio	1995-98	USA	OG438000 +			REC31-30894A1
250 (3.0L) EFI Std. Rot., 1.75:1 Ratio	1995-98	USA	OG129222-OG437999	REC43-859321A3		REC31-30894A1
250 (3.0L) EFI Std. Rot., 1.75:1 Ratio	1995-98	USA	OG438000 +	REC43-859321A3		REC31-30894A1
250 (3.0L) EFI Std. Rot., 1.87:1 Ratio	1995-98	USA	OG438000 +			REC31-30894A1
250 / 275 Std. Rotation	1989-94	USA	C101891 +			REC31-35928T1

PIÑONES ATAQUE	INITIATIVE GEAR	PIGNONI INIZIATIVA	PIGNONS D'ATTAQUE
----------------	-----------------	--------------------	-------------------

REF	OEM	
REC43-803498T1		

REF	OEM	
REC43-859321A3		

REF	OEM	
REC43-803499T1		

PIÑONES MARCHA ATRÁS	REVERSE GEAR	PIGNONI MARCIA INDIETRO	PIGNON DE MARCHÉ ARRIÈRE
----------------------	--------------	-------------------------	--------------------------

REF	OEM	
REC43-822163T1		

REF	OEM	
REC43-828073A1		

PIÑONES MARCHA AVANTE	POSITIVE GEAR	PIGNONI MARCIA AVANTI	PIGNON DE MARCHÉ AVANT
-----------------------	---------------	-----------------------	------------------------


REF	OEM	
REC31-38356A1		

REF	OEM	
REC983892		


REF	OEM	
REC31-30894A1		


REF	OEM	
REC31-78172A1		








REF	OEM	
REC31-35928T1		

REF	OEM	
REC31-828439A2		

TUERCA DE PIÑÓN	PINION NUTS	DADI PIGNONI	ÉCROU PIGNON
-----------------	-------------	--------------	--------------

REF	OEM	
REC11-35921	11-35921	

REF	OEM	
REC313339	11-55910	

SELECTORES		CLUTCH DOGS		SELETTORI		CRABOT	
REF	OEM			REF	OEM	DIENTES CONTRAROTACIÓN JAW REVERSE DENTI CONTROROTANTI DENTS CONTREROTATION	
REC6E5-45631-00	52-96313M	4A (6E0) 5C (6E3)		REC52-853594T	52-853594T	6	
REC664-45631-00	52-81644T	20C (Thru Propex) 25C/K (Thru Propex) 28 30a / w30cw/ Marathon			REC52-850048T	52-850048T	6
REC682-45631-00	52-84274M	9.9C 15C/K/ (long) W15			REC52-859340T	52-859340T	6
							

4T
STROKES

GUÍA SELECTORES	CLUTCH DOGS GUIDE	GUIDA SELETTORI	GUIDE DES CRABOTS
	CYL	RATIO 2.31:1	RATIO 2.33:1
30	OP017000-OP153499	REC52-850048T	
30 Carb	3 OP153500-OP400999	REC52-850048T	REC52-850048T
40	9944807-OP153499	REC52-850048T	
40	4 OP094500-OP206999	REC52-850048T	
50	OP017000 +	REC52-850048T	
50	4 OP094500 +	REC52-850048T	
50 EFI	4 OP153500 +	REC52-850048T	REC52-850048T
60	4 OP094500-OP206999	REC52-850048T	
60 EFI	4 OP153500-OP515896		REC52-850048T

2T
STROKES

GUÍA SELECTORES	CLUTCH DOGS GUIDE	GUIDA SELETTORI	GUIDE DES CRABOTS
	CYL		REF
50	3 1991-95 USA	OD000750-0G589999	REC52-850048T
50	3 1991-95 BEL	9683055-9973099	REC52-850048T
55	3 1996 USA	OD000750 +	REC52-850048T
55	3 1996 BEL	9741042	REC52-850048T
60 Standard, Non Bigfoot	3 1991-95 USA	OD000750 +	REC52-850048T
60 Standard, Non Bigfoot	3 1991-95 BEL	9683055	REC52-850048T
60 3 Jaw Rev. Clutch Bigfoot	3 1991-95 USA	OD000750-0G589999	
60 3 Jaw Rev. Clutch Bigfoot	3 1991-95 BEL	9683055-9973099	
60 6 Jaw Rev. Clutch Bigfoot	3 1991-95 USA	OD000750-0G589999	REC52-850048T
60 6 Jaw Rev. Clutch Bigfoot	3 1991-95 BEL	9683055-9973099	REC52-850048T
60 6 Jaw Rev. Clutch Bigfoot	3 1998 USA	590000	REC52-850048T
60 6 Jaw Rev. Clutch Bigfoot	3 1998 BEL	9973100	REC52-850048T
70 3 Jaw Rev. Clutch	3 1987 USA	0A996142-0C221999	
70 3 Jaw Rev. Clutch	3 1987 BEL	9483121-9589038	
70 6 Jaw Rev. Clutch	3 1987 USA	0A996142-0C221999	REC52-850048T
70 6 Jaw Rev. Clutch	3 1987 BEL	9483121-9589038	REC52-850048T
75 3 Jaw Rev. Clutch	3 1990-93 USA	0A996142 +	
75 3 Jaw Rev. Clutch	3 1990-93 BEL	9483121	
75 6 Jaw Rev. Clutch	3 1994-98 USA	0A996142 +	REC52-850048T
75 6 Jaw Rev. Clutch	3 1994-98 BEL	9483121	REC52-850048T

	CYL		REF
80 3 Jaw Rev. Clutch	3	1987 USA	0A996142-0C221999
80 3 Jaw Rev. Clutch	3	1987 BEL	9483121-9589038
80 6 Jaw Rev. Clutch	3	1987 USA	0A996142-0C221999 REC52-850048T
80 6 Jaw Rev. Clutch	3	1987 BEL	9483121-9589038 REC52-850048T
90 3 Jaw Rev. Clutch	3	1987 USA	0A996142 +
90 3 Jaw Rev. Clutch	3	1987 BEL	9483121
90 6 Jaw Rev. Clutch	3	1987 USA	0A996142 + REC52-850048T
90 6 Jaw Rev. Clutch		1987 BEL	9483121 REC52-850048T
100 3 Jaw Rev. Clutch		1988-93 USA	0B209468 +
100 3 Jaw Rev. Clutch		1988-93 BEL	9523034
100 High Altitude 3 Jaw Rev. Clutch		1988-93 USA	0B209468 +
100 High Altitude 3 Jaw Rev. Clutch		1988-93 BEL	9523034
100 6 Jaw Rev. Clutch		1988-98 USA	0B209468 + REC52-850048T
100 6 Jaw Rev. Clutch		1988-98 BEL	9523034 REC52-850048T
100 High Altitude 6 Jaw Rev. Clutch		1988-93 USA	0B209468 + REC52-850048T
100 High Altitude 6 Jaw Rev. Clutch		1988-93 BEL	9523034 REC52-850048T
115 3 Jaw Rev. Clutch		1988-93 USA	0C100000 +
115 3 Jaw Rev. Clutch		1988-93 BEL	9559771
115 High Altitude 3 Jaw Rev. Clutch		1989-93 USA	0C100000 +
115 High Altitude 3 Jaw Rev. Clutch		1989-93 BEL	9559771
115 6 Jaw Rev. Clutch		1989-93 USA	0C100000 + REC52-850048T
115 6 Jaw Rev. Clutch		1989-93 BEL	9559771 REC52-850048T
115 High Altitude 6 Jaw Rev. Clutch		1989-93 USA	0C100000 + REC52-850048T
115 High Altitude 6 Jaw Rev. Clutch		1989-93 BEL	9559771 REC52-850048T
125 3 Jaw Rev. Clutch		1994-98 USA	0D283222 +
125 3 Jaw Rev. Clutch		1994-98 BEL	9793577
125 High Altitude 3 Jaw Rev. Clutch		1994-98 USA	0D283222 +
125 High Altitude 3 Jaw Rev. Clutch		1994-98 BEL	9793577
125 6 Jaw Rev. Clutch		1994-98 USA	0D283222 + REC52-850048T
125 6 Jaw Rev. Clutch		1994-98 BEL	9793577 REC52-850048T
125 High Altitude 6 Jaw Rev. Clutch		1994-98 USA	0D283222 + REC52-850048T
125 High Altitude 6 Jaw Rev. Clutch		1994-98 BEL	9793577 REC52-850048T
V-135 Std. Rotation, 2:1 Ratio, Non-Ratchng		1997-04 USA	0G438000 + REC52-859340T
V-135 Counter Rotation, Non-Ratchng		1997-04 USA	0G438000 + REC52-859340T
V-135 DFI Std. Rotation, 2:1, Non-Ratchng		1998-04 USA	0G590000 + REC52-859340T
V-135 DFI Counter Rotation, Non-Ratchng		1998-04 USA	0G590000 + REC52-859340T
V-150 (XR4, MAG II) w/ 4-1/4 Dia. Torpedo		1988-91 USA	0C239553-04303045
V-150 Std. Rotation, 2:1, Non-Ratchng		1996-98 USA	0G438000 + REC52-859340T
V-150 Counter Rotation, Non-Ratchng		1996-98 USA	0G438000 + REC52-859340T
V-150 (XR6, MAG III) Std. Rot., 1.87:1, Non-Ratchng		1996-98 USA	0G438000 + REC52-859340T
V-150 EFI Std. Rot., 1.87:1, Non-Ratchng		1996-98 USA	0G438000 + REC52-859340T
V-150 EFI Counter Rot., 1.87:1, Non-Ratchng		1996-98 USA	0G438000 + REC52-859340T
V-150 DFI Std. Rot., 1.87:1, Non-Ratchng		1998 USA	0G590000 + REC52-859340T
V-150 DFI Counter Rot., 1.87:1, Non-Ratchng		1998 USA	0G590000 + REC52-859340T
V-175 Counter Rot., 1.87:1, Non-Ratchng		1996-98 USA	0G438000 + REC52-859340T
V-175 EFI Std. Rot., 1.87:1, Non-Ratchng		1996-98 USA	0G438000 + REC52-859340T
V-175 Counter Rot., 1.87:1, Non-Ratchng		1996-98 USA	0G438000 + REC52-859340T
V-200 DFI Std. Rot., 1.75:1, Non-Ratchng		1997 USA	0G438000 + REC52-859340T
V-200 Std. Rot., 1.87:1, Non-Ratchng		1996-98 USA	0G438000 + REC52-859340T
V-200 Counter Rot., 1.87:1, Non-Ratchng		1996-98 USA	0G438000 + REC52-859340T
V-200 EFI Std. Rot., 1.87:1, Non-Ratchng		1996-98 USA	0G438000 + REC52-859340T
V-200 Counter Rot., 1.87:1, Non-Ratchng		1996-98 USA	0G438000 + REC52-859340T
V-200 DFI Counter Rot., 1.75:1, Non-Ratchng		1997 USA	0G438000 + REC52-859340T
200 (3.0L) DFI Std. Rot., 1.75:1 Ratio		1998 USA	0G590000 + REC52-853594T
200 (3.0L) Std. Rot., 1.75:1 Ratio		1998 USA	0G590000 + REC52-853594T
225 (3.0L) DFI Std. Rot., 1.75:1 Ratio		1998 USA	0G590000 + REC52-853594T
225 (3.0 Carb) Sea Pro Std. Rot., 1.62:1		1994-98 USA	- 0G437999 REC52-853594T
225 (3.0 Carb) Sea Pro Std. Rot., 1.75:1		1994-98 USA	- 0G437999 REC52-853594T
V-220 Std. Rot., 1.87:1 Ratio		1987-88 USA	B117316 + REC52-853594T
V-225 Std. Rot., w/ pre-load pin in drive shaft		1980-81 USA	5628028 REC52-853594T
225 (3.0 Carb) Std. Rot., 1.62:1 Ratio		1994-98 USA	0D280813 + REC52-853594T
225 (3.0L) EFI Std. Rot., 1.75:1 Ratio		1995-98 USA	0G129222-0G437999 REC52-853594T
225 (3.0L) EFI Std. Rot., 1.75:1 Ratio		1995-98 USA	0G438000 + REC52-853594T
225 (3.0L) EFI Std. Rot., 1.87:1 Ratio		1995-98 USA	0G438000 + REC52-853594T
250 (3.0L) EFI Std. Rot., 1.75:1 Ratio		1995-98 USA	0G129222-0G437999 REC52-853594T
250 (3.0L) EFI Std. Rot., 1.75:1 Ratio		1995-98 USA	0G438000 + REC52-853594T
250 (3.0L) EFI Std. Rot., 1.87:1 Ratio		1995-98 USA	0G438000 + REC52-853594T
250 / 275 Std. Rotation		1989-94 USA	C101891 + REC52-853594T

EJE TRANSMISIÓN	DRIVE SHAFT	ASSE TRASMISSIONE	ARBRE DE TRANSMISSION		
REF	OEM			Ø 2	1
REC45-816919	45-816472 V6 (3.0L)	Cola moderna Late gearcase Piede moderna Embase moderne	18 ^{1/4} " 46,35 cm	1 ^{1/8} " 2,85 cm	13





EJE HÉLICE	PROP SHAFT	ASSE ELICA	ARBRE D'HÉLICE			
REF	OEM			Ø 2	1	3
REC44-824110	44-824110 V6 (3.0L)	Modelo moderno Late Gearcase Modello moderno Embase moderne	15 - 1/2" 39,37 cm	1 - 3/16" 3,016 cm	15	REC12-31211Q01
REC44-94148	44-94148 V6	Cola Alpha moderna. NO MONTAR EN EMBARCACIONES DE COMPETICIÓN Late Alpha Gearcase. DON'T USE ON BASS TOURNAMENT BOAT ENGINES Piede Alpha moderno. NON MONTARE SU IMBARCAZIONI DA COMPETIZIONE Embase moderne. NE PAS UTILISER POUR LA COMPETITION	15 - 1/2" 39,37 cm	1 - 3/16" 3,016 cm	15	REC12-31211Q01
	44-93003 L4, L6, V6	Cola 6 en línea antigua Early Inline 6 Gearcase Piede 6 in línea vecchio Embase ancienne 6 en ligne	15 - 1/4" 38,73 cm	1 - 3/16" 3,016 cm	15	REC12-31211Q01
REC44-12238T	44-12238T L4, V6, XR4, XRG (3 cyl)	Modelo moderno Late Gearcase	15 - 1/4" 38,73 cm	1 - 3/16" 3,016 cm	15	REC13191Q01
REC44-850308	44-850308 (3 - 4 cyl)	Modelo moderno Late Gearcase Embase moderne	15 - 1/4" 38,73 cm	1 - 3/16" 3,016 cm	15	REC13191Q01
	44-75365 (2, 3, 4 Cyl)	Cola pequeña Small Gearcase Piede piccola Embase petite	12 - 1/2" 39,37 cm	7/8" 2,22 cm	13	REC73345A1



ACOPLE CAMBIO	SHIFT BUSHING	ACCOPIAMENTO CAMBIO	SUPPORT SELECTEUR
REF	OEM		
REC23-815921A21	23-815921A4 - A10	200 - 250 HP (EFI / DFI / Carb) 3.0L Race Outboard (3.0L EFI)	


ACOPLE GOMA	GROMMET	GOMMINI	BAGUE
REF	OEM		
REC26-38970	26-38970	50 - V-225 HP XR-4 / XR-6 Race Outboard	


PASADOR	CROSS PIN	PIN	PIN	
REF	OEM		4T STROKES	2T STROKES
REC17-8M0084681	17-30632	40 - 300 HP Raco Outboard	✓	✓



TORNILLO DRENAJE **DRAIN SCREW**

REF	OEM	STROKES	STROKES
		4T	2T
REC22-67892A05	22-67892A1	6 HP +	✓ ✓





REF	OEM	STROKES	STROKES
		4T	2T
REC90340-08002	22-8M008360 22-8M0083059	JAPAN 8X1.25 metric	REC90430-08020 ✓

VITE DRENAGGIO **VIS DE VIDANGE**

REF	OEM	STROKES	STROKES
		4T	2T
REC10-79953Q04	10-79953A2	8 - 200 HP Race Outboard Sport Jet	✓ ✓



CASQUILLO **COUPLING ASSEMBLY**

REF	OEM	STROKES
REC816597A1	816597A1	200 - 225 HP (DFI / EFI / Carb / Seapro) (3.0L)



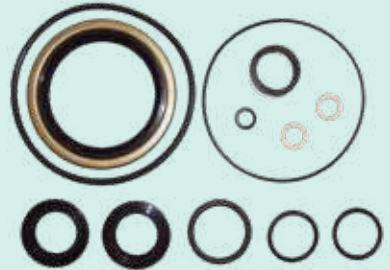
GHIERA **ACCOUPLMENT**

RETÉN GOMA **FACE SEAL**

REF	OEM	STROKES	STROKES
		4T	2T
REC26-816575A2	23-29804	65 - V-225 HP XR-4 / XR-6	



REF	OEM	STROKES	STROKES
		4T	2T
REC26-88397	26-88397	2.5L (EFI, OFFSHORE)	✓



PARAOLIO **JOINT**


REF	OEM	STROKES	STROKES
		4T	2T
REC682-44365-00	26-84022M	9.9, 15 HP (682/684)	✓




REF	OEM	STROKES	STROKES
		4T	2T
REC26-8M0142851	26-8M2014338	4 - 400 HP	✓



REF	OEM	STROKES	STROKES
		4T	2T
PAF15-02000006	26-852859	15K (65G/6M7K)	✓




CHAVETA KEY CHIAVETTA CLAVETTE

REF	OEM		4T STROKES	2T STROKES
REC8M0032834	28-56654	140 / 105 / 110 Jet 65 - V-225 HP XR-4 / XR-6 Race Outboard		
REC28-8M0032833	28-43037	30 - 300 HP	✓	✓
REC28-8M0032831	28-8M0032831 28-19699	30 - 60 HP	✓	✓
REC28-8M0032838	28-8M0032838 28-85119	9.9 - 50 HP	✓	✓
REC8M0032837	28-8M0032837 28-56662	30 - 70 HP	✓	
PAF8-04000021	17-9521811	2 - 9.9 HP	✓	✓
REC28-42376A2	28-42376A2	6 - 15 HP	✓	✓
REC28-803749	28-803749	9.9 - 18 HP	✓	✓




MUELLE SPRING MOLLA RESSORT

REF	OEM		4T STROKES	2T STROKES
REC24-30893	24-30893	40 - 350 HP Raco Outboard	✓	✓
REC24-38114	24-38114	8 - 70 HP	✓	✓




SUPLEMENTOS SHIMS SPESSORI CALES

REF	OEM		4T STROKES	2T STROKES
REC15-42637A1	15-42637A1	105 - 140 HP 150 / 175 ProXS 200 - 250 (3.0L EFI / DFI) V-135 - V-200 XR-4 / XR-6		
REC15-47397A1	15-47397A1	105 - 140 Jet 135 - 350 HP V-135 - V-225 XR-4 / XR-6	✓	✓




EJE CAMBIO SHIFT POOL ASSE CAMBIO ARBRE DE CHANGEMENT


REF	OEM	
REC818349T1	818349A1	200 - 250 HP (DFI / EFI / Carb) (3.0L)








TORNILLO SCREW VITE VIS








REF	OEM	
REC10-30720	10-30720	65 - V-225 HP XR-4 / XR-6



REF	OEM	
REC10-96411	10-96411	75 - V-225 HP XR-4 / XR-6 Race Outboard



ARANDELA		WASHER		RONDELLA		RONDELLE	
REF	OEM			REF	OEM		
REC12-77674	12-77674			REC12-86645	12-86645		
				REC19643	19643		
				REC12-191833	12-20260 12-19183		
				REC27-29586	27-29586		
REF	OEM			REF	OEM		new
REC350038	12-92721			REC12-20084	12-20084	MERCURY 39, 60, 110 (-1967) 6 SPLINE	
REF	OEM		new				
PAGB/T96-10	12-16146	4, 5 HP 8, 9.9 HP (2005+)	4T STROKES 2T STROKES ✓				

TUBO DE AGUA		WATER HOSE		TUBO ACQUA		TUYAU D'EAU	
REF	OEM			REF	OEM		
REC23-29804T	23-29804	8 - V-200 HP XR-6	4T STROKES 2T STROKES ✓ ✓	REC43023	43023	25 - 115 HP	✓ ✓
				REC43023-2	43023-2	40 - 115 HP	✓ ✓
REF	OEM		new	REF	OEM		new
REC26-36556	26-36556	3.5 - 40 HP	4T STROKES 2T STROKES ✓	REC26-38452	26-38452	35 - 70 HP	✓
REF	OEM		new	REF	OEM		new
REC22-887987A1	22-887987A1	135 - 400 HP 4 & 6 CYL	4T STROKES 2T STROKES ✓	REC8M0151044	8M0151044 8M0109700 893855 887774	25 - 60 HP	✓
REF	OEM		new				
REC8M0036238	8M0036238	75 - 150 HP	4T STROKES 2T STROKES ✓				

SISTEMA DE PROPULSIÓN PROPULSION SYSTEM

SISTEMA DI PROPULSIONE SYSTEME DE PROPULSION

HÉLICES ALUMINIO E
INOXIDABLE
DE 3 Y 4 PALAS

3 & 4 BLADE
ALUMINIUM & SS
PROPELLERS

ELICHE ALLUMINIO E
INOX DA 3 E 4 PALE

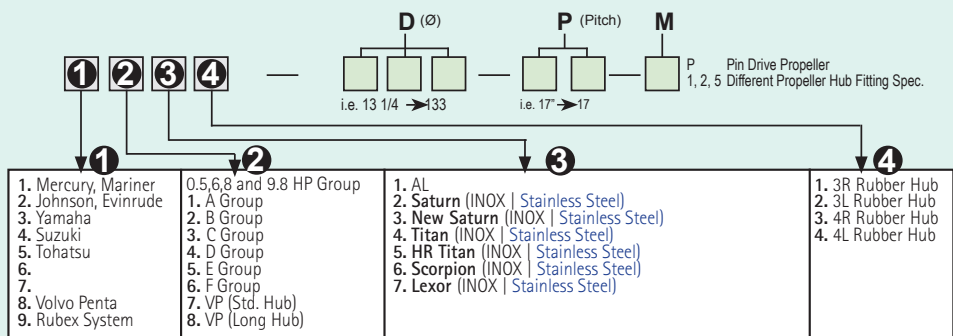
HELICE ALUMINIUM ET
INOX 3 ET 4 PALES

CÓDIGO DE REFERENCIAS

PART NO. CODING SYSTEM

SISTEMA DI CODICE

CODAGE DES REFERENCES



AMITA 3



Hélice de aluminio con núcleo de goma de gran resistencia.

Aluminum propeller with heavy duty rubber hub.

Eliche di alluminio con mozzi in gomma ad alta resistenza.

Hélice en aluminium avec moyeu en caoutchouc



AMITA 4



Hélices de aluminio con núcleo de goma de gran resistencia. Van muy suaves a poca velocidad y hace el barco muy manejable con la mar picada.

Aluminum propeller with heavy duty rubber hub. Smoother low speed makes the offshore boating activity much easier.

Eliche di alluminio con mozzo in gomma ad alta resistenza. Molto morbido a bassa velocità e rende la barca molto maneggevole con mare cattivo.

Hélice en aluminium avec moyeu en caoutchouc. Permet d'aller doucement à basse vitesse et rende le bateau très maniable lorsque la mer est agitée



TITAN



Hélices de acero inox. Diseño de pala grande para un área más grande. Gran capacidad de transporte de carga. Excelente economía de combustible.

Stainless steel propeller. High camber blade and large blade area design. Great load carrying capability. Excellent fuel economy.

Eliche in acciaio inossidabile. Ampia capacità di carico. Eccellente riduzione consumo del carburante.

Hélice en acier inoxydable. Lame à carrossage élevé et conception à grande surface de lame. Grande capacité de charge. Excellente économie de carburant.



NEW SATURN

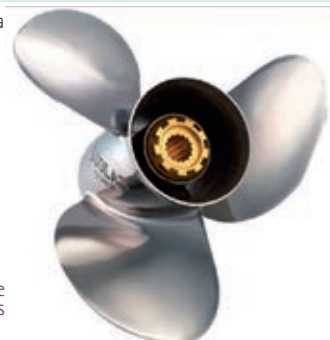


Hélices de acero inoxidable. Ofrece buena aceleración y rendimiento. Tamaño más pequeño que ofrece un diámetro extragrande.

Stainless steel propeller. Offers good acceleration & all-round performance. Smaller pitch sizes offered in extra large diameter with increased blade area.

Eliche di acciaio inox. Buona accelerazione. Piccole dimensioni che offre un più grande diametro.

Hélice inox, offrant de bonnes accélérations et performances. Taille de pas réduite pour les modèles de grands diamètres avec une surface de pale plus importante.



HR TITAN 3 PROP



Hélice de acero inoxidable. Alto rendimiento para cascos de alta velocidad. La inclinación de la hoja proporciona un excelente elevación de proa y aceleración. El diseño de copa grande aumenta la mordida y reduce el deslizamiento.

Stainless steel propeller. Performance prop for high speed planning hulls. High rake blade design provides excellent bow lift and acceleration. Heavy cup design increases bite and reduces slip.

Eliche in acciaio inox. Alte prestazioni per scafi ad alta velocità. Il passo della pala fornisce un'eccellente spinta e accelerazione. Il disegno aumenta le prestazioni.

Hélice en acier inoxydable. Hélice de performance pour les coques à grande vitesse. La conception des pales très arrondies avec une plus grande surface offre une excellente portance et des accélérations élevées en réduisant la consommation.




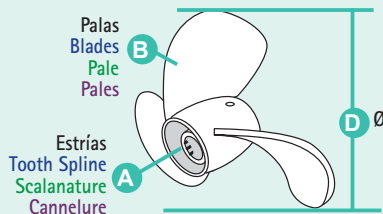
**GUÍA DE HÉLICES
CON NÚCLEO INTEGRADO**

**PROPELLERS APPLICATION
WITH RUBBER HUB**

**GUIDA ELICHE
CON MOZZO**

**GUIDE DES HELICES
ET MOYEUX**

	R.O. OEM						AL	INOX STAINLESS STEEL				
		AMITA 3	AMITA 4	NEW SATURN	TITAN	HR TITAN 3						
2.5, 3.5 HP	48-815083	3	7 ^{1/4"}	6	R	PLAST.	SOL0001-073-06P					
4, 4.5, 5, 6 HP		12	3	7.8	8	R	7					
							8	AL	SOL5011-078-08			
							9		SOL5011-078-09			
8, 9.9HP (2005+) 4 T/STROKES	48-895180A10 48-895182A10	12	3	8.5	8	R	7					
							8	2 ^{1/2"}	AL	SOL5011-085-08		
							9		SOL5011-085-09			
9.9HP (2005+) 15, 20 HP (2007+) 4 T/STROKES		14	3	9 ^{1/4"}	9	R	7					
							8		SOL5111-093-07			
							9	2 ^{1/2"}	AL	SOL5111-093-08		
							10		SOL5111-093-09			
4 T / Strokes 8, 9.9 HP (2002-04)	48-828152A12 48-828154A12						11					
							7		SOL1111-093-07			
							8		SOL1111-093-08			
2 T / Strokes 6, 8, 9.9 HP (1986+) 10 HP (1995-01) 15 HP (1989-06)	48-828156A12 48-828158A12	8	3	9 ^{1/4"}	9	R	2 ^{1/2"}	BlackMax	SOL1111-093-09			
							10		SOL1111-093-10			
							11		SOL1111-093-11			
4 T / Strokes 9.9, 15 HP BigFoot (1999-05)	48-19636A10 48-19638A40	10	3	10 ^{3/8"}	12	R	9 ^{1/2"}		SOL1211-110-09			
							11		SOL1211-105-11			
2 T / Strokes 18 HP (1980-85) 20, 25 HP (1980-05)	48-19639A40 48-19640A40 48-19642A40	10	3	10 ^{3/8"}	12	R	3"	BlackMax	SOL1211-103-12			
							13		SOL1211-101-13			
							14		SOL1211-100-14			
4 T / Strokes 25 HP (1999-05) 30 HP (1994-05, 2010+) 40, 50, 60 HP	48-87818A11 48-85632A40 48-816702A40 48-816704A40	13	3	12 ^{1/4"}	12	R	9		SOL1311-121-09	SOL1313-118-09		
							11		SOL1311-116-11	SOL1313-111-11		
							13	3 ^{1/4"}	BlackMax	SOL1311-114-12	SOL1313-108-12	
							13		SOL1311-111-13	SOL1313-105-13		
2 T / Strokes 30 - 70 HP (1994-05)	48-816706A40 48-73140A40			10 ^{3/8"}	14				SOL1311-111-14	SOL1313-105-14		
							15		SOL1311-110-15			
4 T / Strokes 25 HP (2006+) 30 HP (2006+) not Bigfoot Base Tohatsu		10	3	9.9	11	R	3"		SOL5211-099-09			
							10		SOL5211-099-10			
							11		SOL5211-099-11			
							12		SOL5211-099-12			
25 HP (1980-84) 28 HP (1976-79) 30 HP (1979-90) Mariner japan origin		10	3	9 ^{7/8"}	13	R	9		SOL3211-099-09			
							10		SOL3211-099-10			
							11		SOL3211-099-11			
							12		SOL3211-099-12			
							13		SOL3211-099-13			
							10 ^{3/4"}			SOL3231-108-10		
							11			SOL3231-105-11		
12			SOL3231-103-12									
10 ^{1/2"}												
10 ^{1/4"}												
10 ^{1/8"}												
13												



- P** Paso
Pitch
Passo
Pas
- R** Rotación L (izquierda) R (derecha)
Rotation L (left) R (Right)
Rotazione L (SX) R (DX)
Rotation L (gauche) R (droit)

	R.O. OEM	A B D P R					AL		INOX STAINLESS STEEL			
		AMITA 3		AMITA 4		NEW SATURN	TITAN	HR TITAN 3				
4 T / Strokes 40, 50, 60 HP (1995+) 75, 90, 115 HP	48-77338A45	14	11			BlackMax	SOL1411-140-11	SOL1413-133-13	SOL1431-140-11			
	48-77340A45	14	13			BlackMax	SOL1411-138-13	SOL1413-130-15	SOL1431-138-13			
	48-77341A45	13 ^{1/2"}	14			BlackMax	SOL1411-135-14					
	48-77342A45	13 ^{3/4"}	15			BlackMax	SOL1411-135-15	SOL1413-128-17	SOL1431-135-15			
	48-77344A45	13 ^{1/4"}	17			BlackMax	SOL1411-133-17	SOL1413-125-19	SOL1431-133-17			
	48-77346A45	13	19			BlackMax	SOL1411-130-19	SOL1413-125-21	SOL1431-130-19			
	48-77348A45	12 ^{3/4"}	21			BlackMax	SOL1411-130-21		SOL1431-130-21			
	2 T / Strokes 40, 50, 60 HP 65, 75, 90 HP 80, 85, 100, 115, 125, 140 HP	48-17310A46	15	3		R 4 1/4"	Vengeance					
	48-17312A46	14	10			Vengeance			SOL1431-140-11			
	48-17314A46	14	12			Vengeance			SOL1431-138-13			
48-16986A46	13 ^{3/8"}	14			Vengeance			SOL1431-135-15				
48-16988A46	13	18			Vengeance			SOL1431-133-17				
48-16990A46	13 ^{1/4"}	20			Laser II			SOL1431-130-19				
48-16992A46	13 ^{1/2"}	22			Laser II			SOL1431-130-21				
135-150-175HP	48-78116A45	15	15	R		BlackMax	SOL1511-150-15	SOL1513-148-15				
		15	15	L			SOL1512-150-15					
	48-832828A45	14.8	17	R		BlackMax	SOL1511-148-17	SOL1513-145-17				
		14.8	17	L			SOL1512-148-17					
	48-832830A45	15	3	15.5	19	R	4 3/4"	BlackMax	SOL1511-145-19	SOL1513-143-19		
		14.5	19	L				SOL1512-145-19				
	48-832832A45	14.3	21	R		BlackMax	SOL1511-143-21	SOL1513-140-21				
		14.3	21	L				SOL1512-143-21				
	48-832834A45	14.3	23	R		BlackMax	SOL1511-142-23					
		14.3	23	L				SOL1512-142-23				
200, 220, 225, 250, 275, 300 HP 3.4L	48-834850A45	4	15	16	R	Alpha 4		SOL1513-145-17				
	48-834852A45	4	14 ^{1/2"}	18	R	Alpha 4		SOL1513-143-19				
	48-834854A45	4	14	20	R	Alpha 4		SOL1513-140-21				
	48-834855A45	4	14	20	L	Alpha 4						
	90, 100, 115 HP Command Thrust	48-19838A46	3	15 ^{3/4"}	15	R	Mirage Plus	SOL1511-158-15				
	48-19841A46	3	15 ^{3/4"}	15	L	Mirage Plus	SOL1512-158-15					
	48-18278A46	3	15 ^{1/2"}	17	R	Mirage Plus	SOL1511-155-17				SOL1571-155-17	
	48-90159A46	15	3	15 ^{1/2"}	17	L	4 3/4"	Mirage Plus	SOL1512-155-17		SOL1572-155-17	
	48-13700A46	3	15 ^{1/4"}	19	R	Mirage Plus	SOL1511-153-19				SOL1571-153-19	
	48-13701A46	3	15 ^{1/4"}	19	L	Mirage Plus	SOL1512-153-19		SOL1542-150-19	SOL1572-153-19		
48-13702A46	3	15	21	R	Mirage Plus	SOL1511-153-21				SOL1571-150-21		
48-13703A46	3	15	21	L	Mirage Plus	SOL1512-153-21				SOL1572-150-21		
48-13704A46	3	14 ^{3/4"}	23	R	Mirage Plus					SOL1571-148-23		
48-13705A46	3	14 ^{3/4"}	23	L	Mirage Plus					SOL1572-148-23		
		3	14 ^{1/2"}	25	R						SOL1571-145-25	

NÚCLEO INTERCAMBIABLE INTERCHANGEABLE HUB MOZZO INTERCAMBIABILE MOYEU INTERCHANGEABLE

	2T STROKES	4T STROKES	A	REF	
25 HP BigFoot (1999-05) 30HP BigFoot (2010+) 30HP (1994-05) 30HP Sea Pro/Marathon (1994+) 35HP (1994-89) 402 Et 500 (1974-84) 40-50HP No/Not/No Bigfoot (1977+) 45HP (1986-89) 48HP Mariner 55HP Sea Pro/Marathon (1995+) 60HP Mariner (1976) 60HP No/Not/Non Bigfoot, Sea Pro/Marathon (1978+) 65HP (1972-76) 70HP (1983+) 80HP Mariner (1977)					
40-60 HP Bigfoot, 40-140 HP (No/Not/Non 135HP) V4 Gearcase (1978+)	✓	✓	13	3 ^{1/4"}	SOLRBX-114 C
90HP, 115HP (Command Thrust) (2014+) 135HP (1987+), 150-300 HP (1978+)			15	4 ^{1/4"}	SOLRBX-102 D
-400HP Mercury Alpha One, Bravo One			15		SOLRBX-102 E
225 EFI (YAMAHA)	✓		15	4 ^{3/4"}	SOLRBX-124 E



HÉLICES PARA NÚCLEO INTERCAMBIABLE

PROPELLERS FOR INTERCHANGEABLE HUB

ELICHE PER MOZZO INTERCAMBIABILE

HELICES AVEC MOYEU INTERCHANGEABLE

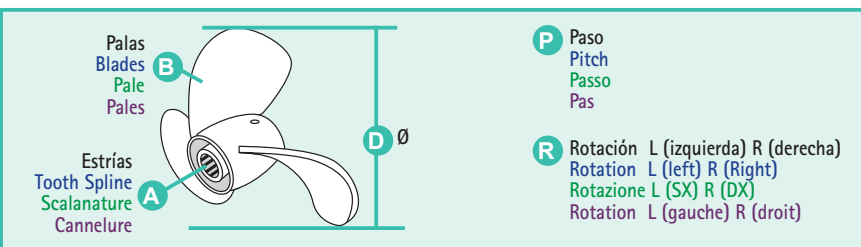
	B	D	P	R	AL
C 30-75 HP	3	12.1	9	R	SOL9311-121-09
		12	10	R	SOL9311-120-10
		11-6	11	R	SOL9311-116-11
		11.4	12	R	SOL9311-114-12
		11.1	13	R	SOL9311-111-13
		11.1	14	R	SOL9311-111-14
		11	15	R	SOL9311-110-15
D 40-140 HP	3	14	9	R	SOL9411-140-09
		14	11	R	SOL9411-140-11
		13.75	13	R	SOL9411-138-13
		13.50	15	R	SOL9411-135-15
		13.25	17	R	SOL9411-133-17
		13.2	19	R	SOL9411-132-19
		13.2	21	R	SOL9411-132-21
E 135-350 HP	3	15.5	11	R	SOL9511-155-11
		15.3	13	R	SOL9511-153-13
		16	13	R	SOL9511-160-13
		15	15	R	SOL9511-150-15
		15	15	L	SOL9511-150-15
		14.8	17	R	SOL9511-148-17
		14.8	17	L	SOL9511-148-17
		14.5	19	R	SOL9511-145-19
		14.5	19	L	SOL9511-145-19
		14.3	21	R	SOL9511-143-21
		14.3	21	L	SOL9511-143-21

	B	D	P	R	INOX STAINLESS STEEL		
C 30-75 HP	3	11 ^{5/8}	11	R	SOL9331-116-11		
		11 ^{3/8}	12	R	SOL9331-114-12		
		11 ^{1/8}	13	R	SOL9331-111-13		
		11 ^{1/8}	14	R	SOL9331-111-14		
		11	15	R	SOL9331-110-15		
		D 40-140 HP	3	13 ^{3/4}	13	R	SOL9431-138-13
				13 ^{3/4}	13	L	SOL9432-138-13
13 ^{1/2}	15			R	SOL9431-135-15		
13 ^{1/2}	15			L	SOL9432-135-15		
13 ^{1/4}	17			R	SOL9431-133-17		
13 ^{1/4}	17			L	SOL9432-133-17		
13	19			R	SOL9431-130-19		
13	19			L	SOL9432-130-19		
13	21			R	SOL9431-130-21		
E 90-140 HP	3			14 ^{1/2}	15	R	SOL9531-145-15
		14 ^{1/2}	15	L	SOL9532-145-15		
		14 ^{1/4}	17	R	SOL9531-143-17		
		14 ^{1/4}	17	L	SOL9532-143-17		
		14	19	R	SOL9531-140-19		
		14	19	L	SOL9532-140-19		
		14	21	R	SOL9531-140-21		
		14	21	L	SOL9532-140-21		
		14	23	R	SOL9531-140-23		
		14	23	L	SOL9532-140-23		
		E 135-350 HP	3	15 ^{3/4}	15	R	SOL9571-158-15
15 ^{3/4}	15			L	SOL9572-158-15		
15 ^{1/2}	17			R	SOL9571-155-17		
15 ^{1/2}	17			L	SOL9572-155-17		
15 ^{1/4}	19			R	SOL9571-153-19		
15 ^{1/4}	19			L	SOL9572-153-19		
15	21			R	SOL9571-150-21		
15	21			L	SOL9572-150-21		
14 ^{3/4}	23			R	SOL9571-148-23		
14 ^{3/4}	23			L	SOL9572-148-23		
14 ^{1/2}	25			R	SOL9571-145-25		
14 ^{1/2}	25	L	SOL9572-145-25				

RUBEX



Núcleo intercambiable (no incluido).
Interchangeable hub (not included).
Mozzo intercambiable (non incluso).
Moyaux interchangeable (non inclus)



PIEZAS HÉLICE

PROP PARTS

PARTI ELICA

PARTS D'HÉLICE

TUERCA HÉLICE


PROP NUT

DADO ÉLICHE

ÉCROU D'HÉLICE

REF	OEM	
REC90301-ZW1-003	11-52707	V4 - V6
REC11-52707Q1		



REF	OEM	
REC11-69578Q1	11-69578	40-70 HP




REF	OEM
PAF15-06000016	11-16147



REF	OEM
REC11-4011912	11-4011912



REF	OEM	
REC11-161471	11-161471	8-30 HP




ARANDELA

WASHER

RONDELLA

RONDELLE

REF	OEM	
PAGB/T96-10	12-161402	8-30 HP




TOPE HÉLICE


THRUST HUB

RONDELLA

ENTRETOISE

REF	OEM		4T STROKES	2T STROKES
REC13191Q01	13191A1 75282A1	V4	✓	
		75-125 RUBBER HUB		✓
		40-60HP BIGFOOT		

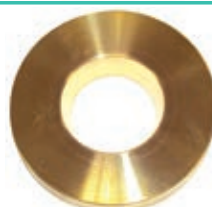


REF	OEM	
REC73345A1	73345A1	40-60 HP STD



COBRE | BRASS | RAME | LAITON

REF	OEM
REC12-31211Q01	12-825467 13171



TOPE CIERRE HÉLICE TAB WASHER RECEIVER RONDELLA CHIUSURA ENTRETOISE

REF	OEM	4T STROKES	2T STROKES	DIENTES JAW DENTI DENTS
REC12-31211Q03	12-31211A2	135-275 HP	V6	15



KIT CIERRE HÉLICE PROP NUT KITS KIT CHIUSURA ELICA KIT ECROU D'HELICE

REF	OEM	6-15 HP
REC21285		

REF	OEM	6-15 HP
REC22215		

REF	OEM	6-15 HP FORCE 9.9-15 HP (1998+) 9.9 HP (1994-04) 15 HP (1994-06)
REC13914Q02	11-13914A2	

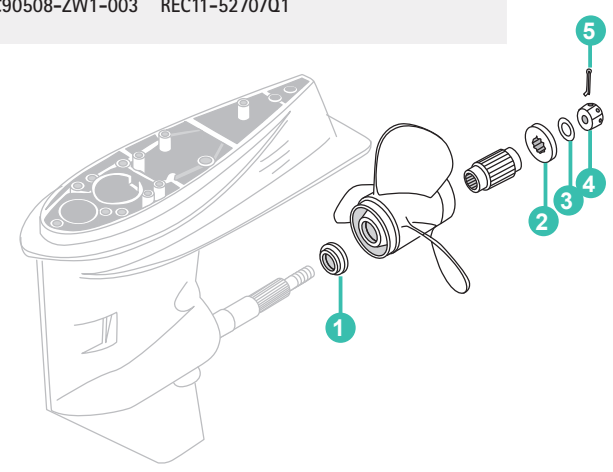
REF	OEM	18-25 HP
REC21307		

REF	OEM	V4 - V6
REC11-52707Q1	11-52707Q1 11-52707A1	

REF	OEM	30 - 70 HP
REC11-31990Q02	11-31990A2	

GUÍA DE RECAMBIOS DE HÉLICE PROPELLER SPARE PARTS GUIDA RICAMBIO ELICHE GUIDE DES PIECES POUR HELICE

	1	2	3	4	5
8 / 9.8HP FS (2005 +)	PAF8-04000019		PAGB/T96-10	PAF15-06000016	PAGB/T91-2.5X20
18 To 25 HP (1980 +)	REC858498			REC11-4011912	
30 To 60 HP			REC14-76281Q	REC11-69578Q1	
70 HP + (Non Flo-Torq II)	REC12-835467Q01	REC12-31211Q03	REC90508-ZW1-003	REC11-52707Q1	
For Aft-Installed Rubber Hub Prop.					
70 - 140 HP (Inline 6 cyl. 1977+)		REC13191Q01	REC90508-ZW1-003	REC11-52707Q1	
60Hp BigFoot					
75 - 125 HP (1987+)					



REF --> RO / OEM

REF	R.O. / OEM	
A		
ARC5362	50-834749	127
ARC5362	50-859171T	127
ARC5362	50-898265001	127
B		
BRA125-3/8X1/2	22-8M0086290	76
C		
CEF500301		172
CEF500302		171
CEF500309		171
CEF500310		171
CEF500311G		171
CEF500312		171
CEF500313G		171
CEF500314		171
CEF500315		172
CEF500316		171
CEF500318		172
CEF500320		171
CEF500321		171
CEF500322		171
CEF500325		171
CEF500326		171
CEF500344		172
CEF500377		172
CEFAJ6C		123
CHAL77JC4		122
CHAL78C		124
CHAL82C		124
CHAL82YC		122
CHAL87YCC		122
CHAL90C		122-124
CHAPROSU		125
CHAQL6VC		123-124
CHAQL78C		123-124
CHAQL78YC		122-123-124-125
CHARA8HC		69-121-122-123-124
CHARJ8C		122-123
CHARL82C		122-123
CHARL82YC		122-124
CHARL86C		122-124
CM09411	9411	197
CM15026A	11761001	233
CM17264	17264T2	197
CM31640	31640Q4	305-327-337
CM31640A	31640Q4	305-327-337
CM34127	34127T2	197
CM34127A	34127T2	197
CM34762	34762A1	197
CM34762A	34762A1	197
CM3H6-60218-000	875208	289
CM3V1-60217-0	853762T01	291-297
CM41106-ZW9-000A	8M0137344	197
CM42121	42121A2	293
CM42121A2	42121A2	197-293
CM43396	43396	198
CM43396A	43396	198
CM47820	47820	197
CM61A-45371-00A	888712	311
CM664-45371-01	82795M	325
CM67F-11325-00	804079	233
CM67F-11325-00	894079002	198
CM689-11325-00A	11761001	233
CM6E0-45251-11	97-18852M	321
CM6G1-45251-02		198
CM6G8-11325-00	825435	205
CM6L5-45251-02	810945M	315-319
CM76214	76214	197
CM76214	76214Q5	307
CM762145	76214Q5	337
CM762145A	76214	197
CM762145A	76214Q5	307-337
CM818298	818298A1	198
CM818298A	818298A1	198
CM820503	8205031	198
CM822157T2	822157T2	197-301
CM822777	822777Q1	197
CM8239121	8239121	198
CM825271	8252711	198
CM825271A	8252711	198
CM826134	826134	197
CM826134	826134Q	305-307-335-337
CM826134A	826134	197
CM826134A	826134Q	305-307-335-337
CM826887M	826887M	198
CM880653	880653	197
CM880653A	880653	197
CM89026	89026	197
CM892227	893404	198
CM892227A	893404	198
CM89949	89949A1	198
CM89949A	89949A1	198
CM942860	94286T1	197
CM984325	98432Q6	197

REF	R.O. / OEM	
G		
GS11158	87-88107A5	131
GS11290		150
GS11291		150
GS11292		150
GS11294		150
GS30435		77
GS31001		77
GS31002		77
GS31022		73
GS31023		73
GS31025		73
GS31026	22-142131	73
GS31027	22-13563T-3	73
GS31028	22-13563T-3	73
GS31064		73
GS31065		76
GS31066	22-89771Q2	76
GS31067	22-34982	76
GS31068		73
GS31069		73
GS31078	22831T03	73
GS31079	30185T3	73
GS31080	30185T3	73
GS31081		73
GS31082	22-13563T-7	73
GS31090		71
GS31095	8M0054313	71
GS31096		71
GS31097		71
GS31099		71
GS31155		76
GS31156		76
GS31157		76
GS31166		76
GS31183		71
GS31187		71
GS35031		72
GS35032		72
L		
LENS3213		75
LENS3227		75-76
M		
MP39760	802136A1	131
MP41070	87-17009A2	131
MP41070	87-17009A5	131
N		
NGKB7HS	33-82371M	251
NGKB7HS-10	33-82370M	247
NGKB7HS-10		124
NGKB8HS-10		124
NGKB9HS-10		122
NGKBP6HS		122
NGKBP7HS-10		122
NGKBP8HN-10		122-123-124
NGKBP8HS-10		123-124
NGKBP8HS-15		122-124
NGKBP8HS-10		122-124
NGKBP7HS		122
NGKBP7HS-10		122-124
NGKBPZ8HN-10		122-124
NGKBR5HS		122-124
NGKBR6HS		122-124
NGKBR6HS-10	33-11458M	245
NGKBR6S		122-123
NGKBR7HS		122-123-124-243
NGKBR7HS-10	33-41263M	245
NGKBR8HIX		123-124-125
NGKBR8HS		123-124-125
NGKBU8H		123-124-125
NGKBUZ8H		123
NGKBUZHW		122-123-124-125
NGKBUZHW-2		122-123-124
NGKBZ7HS-10		123
NGKCPR6EA-9		124
NGKCR6HS		121-122-124-205
NGKDCPR6E	803507	203-213
NGKDCPR6E	33-803507	204-207
NGKDCPR6E		68-69-121-124
NGKDCPR6EIX		121-124
NGKDPR6EA-9		68-121-123-124
NGKDPR7EA-9	33-827858	211-215
NGKILFR6G-E	889680001	229
NGKILFR6G-E	889246Q39	231
NGKILFR6G-E		69-70-122
NGKIZFR5G		70

REF	R.O. / OEM	
P		
PAF15-00000014	27-8354272	209-236-237
PAF15-02000006	26-852859	345
PAF15-04000002	825953	233
PAF15-04000002	19-825953	81
PAF15-04000002	22-479452	215
PAF15-04000002		81
PAF15-04000003	27-11754M	251
PAF15-04000003	27-8886586	81
PAF15-04000003	81990M	225-233
PAF15-04000003		68-69-81-215
PAF15-04000005	22-83326M	205-209-247
PAF15-05000011		209-215
PAF15-05000012		209
PAF15-05000013		209
PAF15-05000014		209
PAF15-05170300W	89-825096T	133
PAF15-05170300W	89-825096T01	133
PAF15-06000009	17-80252M	322
PAF15-06000010-1	81626M	323
PAF15-06000010-2	18955M	323
PAF15-06000010-5	18958M	323
PAF15-06000010-7	18960M	323
PAF15-06000016	16147	291
PAF15-06000016	859933	323
PAF15-06000016	11-16147	352
PAF15-06000016		354
PAF15-06070002	84064M	323
PAF15-06080006-1	15-19148005	323
PAF15-06080006-3	15-80259M	323
PAF15-06080006-5	15-80260M	323
PAF15-07000000	802733A98	211
PAF15-07000001	17-825689	209-211
PAF15-07000001	17-825689	205
PAF15-07000007	25-853525	278
PAF15-07000013		209
PAF15-07000017	27-835383001	278
PAF15-07000024	85691	211
PAF15-07000028	10-855677	211
PAF15-07000030	88348935	219-223
PAF15-07000030	892454035	229
PAF15-07000031	825212	215
PAF15-07000031	825212001	219
PAF15-07000031	855676003	209
PAF15-07000031	8M0117413	223
PAF15-07000100	27-850836	211-234-237
PAF15-07000600	855685T	116
PAF15-07010000	8M0055024	209
PAF15-07010003	822625	209-215-219-223
PAF15-07010004	479452	219-223
PAF15-07010006	88305914	205
PAF15-07010006	22-822644	209
PAF15-07010007		209
PAF15-07010008	855678	209
PAF15-07010008	8M0099896	200
PAF15-07010008	97-855678	200
PAF15-07010008		68
PAF15-07010009	25-825040	215
PAF15-07010009	27-825040	209
PAF15-07010009		68
PAF15-07010011	855776	209-245
PAF15-07010012	855779	209-215
PAF15-07010014	26-850850	209
PAF15-07010018	27-834952	169
PAF15-07010018	27-834952002	209
PAF15-07010019	834953T02	209
PAF15-07010021	857080	165
PAF15-07010021	8250311	165-209-215
PAF15-07010021	8M0008243	165-219-223
PAF15-07010021		223
PAF15-07010022	824853	219-223
PAF15-07010022	27-824853	166-209-215
PAF15-07010022		68-69-164-165
PAF15-07010023	35-822626Q03	209
PAF15-07010024	31-834960	209
PAF15-07010026		209
PAF15-07010027	855690	225
PAF15-07010027	25-855690	211
PAF15-07010100	7-803538	111-113
PAF15-07010200	834974	209
PAF15-07020001	700-834963	209-242
PAF15-07020005	53-16057	207-242
PAF15-07020005	53-82343M	209
PAF15-07020005	53-82345M	242
PAF15-07020006	41-825713	209-242
PAF15-07020100	600-834961A1	209-242
PAF15-07030000	400-834957	209-242
PAF15-07030003	43-834955	211

REF	R.O. / OEM		REF	R.O. / OEM		REF	R.O. / OEM	
PAF15-07030004	12-850843	211	PAF25-05020003	893949	223	PAF40-05040002	893563	221
PAF15-07030005	1-855679	211	PAF25-05020003	26-825027	217	PAF40-05040003	893561	221
PAF15-07030006	26-855680	209-241	PAF25-05020003		239-241	PAF40-05040004	854713	221
PAF15-07030007	26-855681	209-241	PAF25-05021000		217-242	PAF40-05040100E1	893504T	219
PAF15-07040000	900-835430A1	211	PAF25-05020101	702-833098A1	217	PAF40-05040200	834781T1	221
PAF15-07040001	850838	211	PAF25-05020105	893863	221-223	PAF40-05040400	857078T1	223
PAF15-07040002	850839	211	PAF25-05020105	41-825016	217	PAF40-05040400	857087T1	221-241
PAF15-07040004	855959	211	PAF25-05020105	41-893863	242	PAF40-05040407		241
PAF15-07040005	24-850840	211	PAF25-05020106	893529	221-223	PAF40-05050000	881862T07	84
PAF15-07040006	822650	217	PAF25-05020106	40-825017	217	PAF40-05050000	881862T1	84
PAF15-07040006	893553	221	PAF25-05020106	40-893529	242	PAF40-05050000	892874T	84
PAF15-07040007	893554	221	PAF25-05020200	650-825018A1	217	PAF40-05050000	899106T	84
PAF15-07040007	28-822651	211-217	PAF25-05020200	856065T1	221	PAF40-05050000	8M0118176	84
PAF15-07040008	26-825455	211	PAF25-05020200	893530T01	223	PAF40-05050000	8M0141844	84
PAF15-07040009	880135	211	PAF25-05020200		242	PAF40-05070000	893693A04	219
PAF15-07040011	880134	211	PAF25-05020203-1	893630001	221	PAF40-05070002	825054	219
PAF15-07040012	825451	211	PAF25-05020203-1	23-825021	217	PAF40-05070003	855236	219
PAF15-07040013	24-825453	211	PAF25-05020203-2	893630	221	PAF40-05091400E1	821509T01	133
PAF15-07040014	24-825452	211	PAF25-05020203-2	23-8250212	217	PAF40-05100000E1	892267T02	96
PAF15-07040015	850842	211	PAF25-05020204	825019	221	PAF40-05100000E1	892267T03	96-108
PAF15-07040016	27-853523	211-241	PAF25-05020204	10-825010	217	PAF40-05100001E1	892267527	108
PAF15-07040017	12-82710M	211	PAF25-05020301	701-8318751	217	PAF40-05100002E1	892267528	108
PAF15-07040018	43-834973	211	PAF25-05020310	652-831876A1	217	PAF40-05100100E1	89226757	108
PAF15-07040020	834956	211	PAF25-05040000	27-830270	215-234	PAF40-05100100E1	892267537	108
PAF15-07040301	825451	211	PAF25-05040000	8M0049885	234-237	PAF40-05100200E1	883220	108
PAF15-07040303	825046	221	PAF25-05050001	822649	217	PAF40-05100301E1	892267A52	108
PAF15-07040303	10-825046	211-217	PAF25-05050001	832990T3	221	PAF40-05100500E1	892267A51	108
PAF15-07040303	10-825046001	207	PAF25-05050002	832990	217	PAF40-05100501E1	892267521	108
PAF15-07040304	826150	221	PAF25-05050002	832991T3	221	PAF40-05100502E1	892267534	87-108
PAF15-07040304	11-826150	211-217	PAF25-05050003	12-825044	217-221	PAF40-05100503E1	892267523	108
PAF15-07040304	11-826150001	207	PAF25-05050005	893552	221	PAF40-05100504E1	892267510	108
PAF15-07040500	834967A1	211-241	PAF25-05050005	24-823678	217	PAF40-05100701E1	892267A54	108
PAF15-07050001	834954	211	PAF25-05050006	10-827607	215	PAF40-05100703E1	892267506	108
PAF15-07050002	850837	211-239	PAF25-05050007	893586	219	PAF40-05100704E1	892267530	87-108
PAF15-07050003	25-8527681	211	PAF25-05050007	27-827610	215	PAF40-05100800E1	892267A55	108
PAF15-07050004	825490	211-215	PAF25-05050008	830274	217	PAF40-07010000E1		75
		205-219-	PAF25-05050009	825050	217	PAF6-03000001	46-16156	179-289
PAF15-07050004	859578A1	223-225-	PAF25-05050009	893560	221	PAF6-03000002	16157	289
		226-229-	PAF25-05050011	893562	221	PAF6-03000003	27-16158	68-289
		231-233	PAF25-05050011	24-825052	217	PAF60-05000003	8M0011870	223
PAF15-07050006	822650	211	PAF25-05050012	24-825052	217	PAF60-05000004	857078	223
PAF15-07060001	853811008	138	PAF25-05050013	25-826153	217	PAF60-05000004	27-857078	170
PAF15-07080000	35-826964T	78	PAF25-05050014	25-826154	217	PAF60-05000005	8M0118194	223
PAF15-07080000	35-879884T	78	PAF25-05050015	25-826152	217	PAF60-05020200	893565	223
PAF15-07080000		69	PAF25-05050016	878183	223	PAF8-00000002	803775006	160
PAF15-07140000	835389A2	84	PAF25-05050016	893581	221	PAF8-00000003	88552635	229
PAF15-07140000	835389T02	84	PAF25-05050016	17-825956	217	PAF8-00000003	10-89514001	207
PAF15-07140000	835389T1	84	PAF25-05050017	833104	217	PAF8-00000004	27-835427003	207-236-
PAF15-09000000		71	PAF25-05050018	4002320	221			237
PAF15-10030001		211	PAF25-05050018	12-4002319	217	PAF8-00000100	895167001	160
PAF166-010003	26-822647	217	PAF25-05050019	10-82641030	217	PAF8-00000200	803512001	207
PAF2.6-03000013	17-82356M	315	PAF25-05050021	893549	219	PAF8-005030010	850842001	207
PAF2.6-03000017	12-80404M	315	PAF25-05050021	26-825048	217	PAF8-02000006L	803755005	291
PAF20-05000400	339-879147T71	117	PAF25-05050100	830271T2	215	PAF8-02000006S	803755004	291
PAF25-00000006	804072	225	PAF25-05050200	2419-82500935	217	PAF8-02000007	804899002	291-297
PAF25-00000006	892086120	226-229	PAF25-05050300		217-221	PAF8-02000100	853771004	160
PAF25-00000013	8252312	236	PAF25-05050301	825045A2	217-221	PAF8-04000002-1	15-16141	289
PAF25-00000013	27-8252310	215	PAF25-05050400	852388A1	217	PAF8-04000002-2	15-813277	289
PAF25-00000013	27-8M0069692	236	PAF25-05050400	852388T1	241	PAF8-04000003	803740 1	291
PAF25-00000013		237	PAF25-05060002	855219	278	PAF8-04000004-1	853795 5	291
PAF25-00000014	825010	219-223	PAF25-05060003	878431	278	PAF8-04000005	161587	182-291
PAF25-00000014	17-82368M	251	PAF25-05080004	855837	278	PAF8-04000006	161586	68-182-291
PAF25-00000014	17-825010	215	PAF25-05120000	339-859738T1	117	PAF8-04000007	8037531	68-180-291
PAF25-02000019	12-81852M	331	PAF25-05130000	826398T3	84	PAF8-04000008	16158 5	68-291
PAF25-02010003	629101	223	PAF4-03000001	18853M	319	PAF8-04000009	803750A02	179-291
PAF25-02010005	826887M	215	PAF4-03000005	96309M	319	PAF8-04000010	8037511	181-291
PAF25-03000008		215	PAF4-03000006	12-81875M	315	PAF8-04000012	16140	291
PAF25-03000009		215	PAF4-03000006	12-96311M	319	PAF8-04000012-1	16141	287-297
PAF25-03000011		215	PAF4-03000011	27-96295	319	PAF8-04000012-2	813277	287-291
PAF25-04000007	17-82354M	323-331	PAF4-03000012	8M0080450	319	PAF8-04000013	804903	291
PAF25-05000002	82503395	223	PAF4-03000013		319	PAF8-04000014	803741 1	291
PAF25-05000002	10-82503395	215	PAF4-03000015	96303M	319	PAF8-04000015	895156	291
PAF25-05000003		215	PAF4-03000016	17-82355M	319	PAF8-04000016	895155	291
PAF25-05000004	25-833103	215-239	PAF4-03000018	27-96300	319	PAF8-04000017	803730001	291
PAF25-05000005	830272A1	215	PAF4-03000019	46-96299M	319	PAF8-04000019	803743	297
PAF25-05000007	8556692	215	PAF4-03000020	96306M	319	PAF8-04000019	803743002	291
PAF25-05000011	25-33466	278	PAF4-03000021	26-80398M	319	PAF8-04000019	8M0131240	353
PAF25-05000021	833102	217	PAF4-03000025		319	PAF8-04000019		354
PAF25-05000021	833102T	221	PAF4-03000026		319	PAF8-04000021	9521811	287
PAF25-05000022		217	PAF4-03050001	96318M	319	PAF8-04000021	17-9521811	346
PAF25-05000024	91800	221-223-	PAF4-04000001	881816	311	PAF8-04000021	95218 11	291
		231	PAF4-04000006	831246	225-233	PAF8-04000021		68
PAF25-05000026	11-81773M	217	PAF4-04000008	25-825492	211	PAF8-04000101	95348	287-291-
PAF25-05000035	893541082	223	PAF4-04000019	825666001	213			316
PAF25-05000100	35-822626Q04	215	PAF4-04000019	18856M	221-223	PAF8-04000200	803748 1	68-291
PAF25-05010000	2806-0830267T3	215	PAF4-04000019	28-18856M	217	PAF8-04000301	803744002	291
PAF25-05010103	416223	219	PAF4-04000019	28-825666001	207	PAF8-04000302	892777002	291
PAF25-05010104	384073	219	PAF4-04000030	95395	203-213	PAF8-04000303	803745 1	291
PAF25-05010106	8525601	215			72-204-	PAF8-04000305	16152	291
PAF25-05010107	35-8548091	215	PAF4-04000030	54-952245	215-247	PAF8-04010000	16150	291
PAF25-05010108	27-8547801	215			251	PAF8-04010000	8037391	291
PAF25-05010109	832734A2	215	PAF4-04010102	22-94716M	72	PAF8-04020001L	803738005	291
PAF25-05010111	27-830298	170-215	PAF4-05000010		68-77	PAF8-04020001S	803738004	291
PAF25-05010112	883336T1	215	PAF40-05000001	35-16248	242	PAF8-04040000		291
PAF25-05010113	22-996642	215	PAF40-05000002	854341	219	PAF8-04040001	8037632T03	291
PAF25-05010302-1	893630001	223	PAF40-05000005	893691T02	219	PAF8-04040002	16131	287-291
PAF25-05010302-1	893631001	221-223	PAF40-05000011	893697	219-223	PAF8-04040004	16130	291
PAF25-05010302-1	23-825024	217	PAF40-05000053	804078	225	PAF8-05000002	27-803508017	207-239
PAF25-05010302-2	893630	223	PAF40-05000200	339-858942T1	117	PAF8-05000004	57-895120	207-272
PAF25-05010302-2	893631	221-223			110-113-	PAF8-05000009	27-853525001	278
PAF25-05010302-2	23-8250241	217	PAF40-05000400	889575	219-223	PAF8-05000017	32-895153	207
PAF25-05020001	2417-830269A1	217-242	PAF4					

REF	R.O. / OEM	REF	R.O. / OEM	REF	R.O. / OEM
PAF8-05000300	803844T01	PAGB/T5783-M6X35	88348935	PAT5-03000022	25-161771
PAF8-05000400		PAGB/T5783-M6X35	88525245	PAT5-03000023	16165
PAF8-05000500	339-803559A02	PAGB/T5783-M6X35	10-88348935	PAT5-03000201	46-826053T
PAF8-05000800	35-895152002	PAGB/T5783-M6X35	10-91722M	PAT5-03000400	44-195133
PAF8-05010000	878-815013T06	PAGB/T5783-M6X35	10-91772M	PAT5-03000402	24-17667
PAF8-05010002	22-822644001	PAGB/T5783-M6X40	4000333	PAT5-03000403	52-812946
PAF8-05010004	27-834952001	PAGB/T5783-M6X40	88525240	PAT5-03000404	16152
PAF8-05010005	853702005	PAGB/T5783-M6X8	4000325	PAT5-03000500	825118T
PAF8-05010005	27-853702	PAGB/T5783-M6X8	4000325	PAT5-03000800	161451
PAF8-05010005	27-853702005	PAGB/T5783-M8X14	83124714	PAT85-00000012	82801M
PAF8-05010005	68-69-164-	PAGB/T5783-M8X25	827207	PATLA1412Z	23-16124
PAF8-05010005		PAGB/T5783-M8X25	8878272	PH130-0006	50-853805T03
PAF8-05010006	8537052	PAGB/T5783-M8X35	857139	PH130-0007	50-92669M
PAF8-05010009	31-834960T08	PAGB/T5783-M8X35	8852635	PH130-0007	81490M
PAF8-05010012	26-855681001	PAGB/T5783-M8X35	879194192	PH130-0007	97072M
PAF8-05010014	43-834955001	PAGB/T5783-M8X35	10-82442M	PH130-0009	50-819968
PAF8-05010015	895119	PAGB/T5783-M8X50	985810050	PH130-0009	50-819968-1
PAF8-05010016	11-855679001	PAGB/T5783-M8X55	881312	PH130-0009	50-819968-2
PAF8-05020001	400-834957T01	PAGB/T5783-M8X55	41884M	PH130-0009	50-819968-3
PAF8-05020101	700-834963A02	PAGB/T5785-M10X-1.25X40		PH130-0009	50-819968-4
PAF8-05020105	825713001	PAGB/T5787-1986	895810050	PH130-0009	50-819968T
PAF8-05020105	41-825713001			PH130-0009	50-853869
PAF8-05020200	600-834961002	PAGB/T5787-M6X20	167051	PH130-0009	50-853869-T
PAF8-05030001	850838T01			PH130-0010	50-29105
PAF8-05030002	850839T01	PAGB/T5787-M6X20	1993720	PH130-0010	50-30842
PAF8-05030004	855959001	PAGB/T5787-M6X30	858530	PH130-0010	50-31976
PAF8-05030005	24-803554005	PAGB/T5787-M6X30	892454030	PH130-0010	50-32411
PAF8-05030006	822650001	PAGB/T6170-85	400213	PH130-0010	50-37274
PAF8-05030007	28-803556	PAGB/T6182-2000	401388	PH130-0010	50-45822
PAF8-05030008	834956005	PAGB/T6182-M5	8528165	PH130-0010	50-48643
PAF8-05030009	24-825452001	PAGB/T818-M4X10	4005685	PH130-0010	50-55304A-1
PAF8-05030011	825455001	PAGB/T818-M4X8	804120	PH130-0010	50-673341
PAF8-05030011	26-825455001	PAGB/T818-M6X16	10-83870M	PH130-0010	50-87788
PAF8-05030012	27-853523001	PAGB/T820-M4X12	827443001	PH130-0011	50-44369
PAF8-05030015	895118	PAGB/T820-M5X30	10-83858M	PH130-0011	50-44369A1
PAF8-05030015	12-895118001	PAGB/T845-ST4.2X16	10-84272M	PH130-0011	50-73521
PAF8-05030100	900-835430T03	PAGB/T845-ST4.8X9	10-84788M	PH130-0014	50-825991A2
PAF8-05030200	850841002	PAGB/T848-6	859768	PH130-0015	50-44369A1
PAF8-05030300	834967T03	PAGB/T848-6	953921	PH130-0015	50-73521
PAF8-05030400	834973001	PAGB/T848-6	12-953921	PH130-0019	50-66015
PAF8-05030400	43-834973001	PAGB/T861.1-87	12-82214M	PH130-0019	50-66015T1
PAF8-05040000	339-895110T01	PAGB/T861.1-87	12-827055M	PH130-0019	50-893891T
PAF8-05040000	339-895110T11	PAGB/T879.1-3.5X28	17-16150	PH130-0021	50-893889T
PAF8-05090000W	855944T01	PAGB/T879.4-3X20	17-82145M	PH130-0021	50-8M0033984
PAGB/T1099-3X5X13	28-825666	PAGB/T889.1-M5	11-81781M	PH130-0021	50-90983A1
PAGB/T276-6002	30-16132	PAGB/T896-86	53-82331M	PH130-0021	50-90983T1
PAGB/T276-6004	16128	PAGB/T91-1.6X12	18-82132M	PH130-0022	50-820193
PAGB/T276-6004	30-1628	PAGB/T91-2.5X20	18-815026	PH130-0022	50-820193-1
PAGB/T276-6004C2	30-82291T			PH130-0022	50-820193-T1
PAGB/T276-6204	30-8037331	PAGB/T91-2.5X20	18-8150261	PH130-0023	50-818445-2
PAGB/T3452.1-32.5X1	825057003	PAGB/T91-2.5X30		PH130-0023	50-818445-3
PAGB/T3452.1-35.5X1	25-825057003	PAGB/T91-3.2X18	18-815026	PH130-0023	50-818445-5
PAGB/T5287-6	12-825498	PAGB/T96-10	859894	PH130-0024	50-822462
PAGB/T5782-M6X125		PAGB/T96-10	12-16146	PH130-0024	50-822462T1
PAGB/T5782-M6X25	8248326	PAGB/T96-10		PH130-0024	50-893890T
PAGB/T5782-M6X35	88348935	PAGB/T96-10	12-161402	PH130-0024	822462T1
PAGB/T5782-M6X35	10-88348935	PAGB/T97.1-5		PH130-0024	893890T
PAGB/T5782-M6X40	4000333	PAGB/T97.1-6	12-16826	PH130-0025	50-819271
PAGB/T5782-M6X45	10-827043M	PAGB/T97.1-6	12-82214M	PH130-0025	50-820193A1
PAGB/T5782-M6X90	8M0008535	PAGB/T97.1-6	12-881379	PH130-0028	50-854636T
PAGB/T5782-M8X35	857139	PAGB/T97.1-6	12-881379	PH130-0028	50-859170T
PAGB/T5782-M8X35	10-857139	PAGB/T97.1-6		PH130-0028	50-884045T
PAGB/T5782-M8X40	88552640	PAGB/T97.1-8	12-82214M	PH130-0028	50-888160T
PAGB/T5782-M8X80	10-82506182	PAGB/T97.1-8	12-82217M	PH130-0028	50-893891T
PAGB/T5783-M5X12	10-41884M	PAGB/T97.1-8	814576M	PH130-0028	854636T
PAGB/T5783-M5X12	10-43092M			PH130-0028	859170T
PAGB/T5783-M5X12	10-82500930	PAGB/T97.1-8		PH130-0028	893887T
PAGB/T5783-M5X12	10-826957M			PH130-0029	50-830308T
PAGB/T5783-M5X12	10-850879	PAGB3452.1-82	25-8250572	PH130-0029	50-859168T
PAGB/T5783-M5X12	10-855778	PAGB3452.1-97.5X1.8	25-854722	PH130-0029	50-888151T
PAGB/T5783-M5X12		PAHT-2.5X60	816311T	PH130-0029	50-893886T
PAGB/T5783-M5X14	40011106			PH130-0030	50-833153
PAGB/T5783-M5X16	40011107			PH130-0030	50-833153-1
PAGB/T5783-M5X16	10-92521M	PAJASOF404-35-025	90196	PH130-0030	50-833153-2
PAGB/T5783-M6X10	10-84088M			PH130-0030	50-833153-5
PAGB/T5783-M6X12	8230427	PAJASOF40431-025	25-825492	PH130-0031	50-832997 1
PAGB/T5783-M6X12	88552512	PAJASOF40431-025	25-8M0052669	PH130-0031	50-832997 2
PAGB/T5783-M6X16	16832	PAJASOF40431-025		PH130-0033	50-859377T
PAGB/T5783-M6X16	875206	PAJASOF40431-050	25-16131	PH130-0033	50-884044T
PAGB/T5783-M6X16	881428	PAJISB2401P16	25-16178	PH130-0033	50-888161T
PAGB/T5783-M6X16	88552516	PAPS2700.04.03	26-822647	PH130-0033	50-893888T
PAGB/T5783-M6X16	10-8248324	PAT15-04010202	22-80122M	PH130-0034	50-852570T
PAGB/T5783-M6X16	10-826957M	PAT3.6-04000006	95229	PH130-0034	50-857065
PAGB/T5783-M6X16	10-84368M	PAT3.6-04000006	28-95229	PH130-0034	50-859168
PAGB/T5783-M6X16		PAT40-02000002	26-81427M	PH130-0034	50-859168T
PAGB/T5783-M6X20	825702	PAT40-04000003-1	15-19148M	PH130-0040	50-30829
PAGB/T5783-M6X20	8257021	PAT40-04000003-2	15-81469M	PH130-0040	50-32403
PAGB/T5783-M6X20	8254741	PAT40-04000003-3	15-19149M	PH130-0040	50-37345
PAGB/T5783-M6X20	88552520	PAT40-04000003-4	15-19150M	PH130-0040	50-38890
PAGB/T5783-M6X20	10-84058M	PAT40-04000003-5	15-19151M	PH130-0040	50-38890A1
PAGB/T5783-M6X20	8M4503518	PAT40-04000003-6	15-19152M	PH130-0040	50-55601A
PAGB/T5783-M6X20	10-40011128	PAT40-04000003-7	15-19153M	PH130-0040	50-55601A2
PAGB/T5783-M6X25	82500925	PAT40-04000004-1	15-19154M	PH130-0041	50-44369A1
PAGB/T5783-M6X25		PAT40-04000004-5	15-81459M	PH130-0041	50-57485
PAGB/T5783-M6X25	88552525	PAT40-04000027	31-98933M	PH130-0041	50-60315
PAGB/T5783-M6X25	10-11746M	PAT5-03000004-1	15-161631	PH130-0041	50-65436
PAGB/T5783-M6X25	10-2405M	PAT5-03000004-2	15-8132761	PH130-0041	50-66015
PAGB/T5783-M6X25	10-82500925	PAT5-03000005	27-16164	PH130-0041	50-66015-2
PAGB/T5783-M6X25	10-88348935	PAT5-03000006	27-16160	PH130-0041	50-88119
PAGB/T5783-M6X30	881427	PAT5-03000009	28-16155	PH130-0041	50-893891T
PAGB/T5783-M6X30	88552530	PAT5-03000012	32-16167	PH130-0041	50-893891T
PAGB/T5783-M6X30	892454030	PAT5-03000013	26-16168	PH130-0042	50-57465A1
PAGB/T5783-M6X30	10-8257021	PAT5-03000014	26-16171	PH130-0042	50-58330
PAGB/T5783-M6X30	10-83285M	PAT5-03000015	12-16140	PH130-0042	50-60975
PAGB/T5783-M6X30	10-92523M	PAT5-03000016	16133	PH130-0042	50-72467
		PAT5-03000020	23-16176	PH130-0046	50-44415
				PH130-0046	50-77141

REF	R.O. / OEM	REF	R.O. / OEM	REF	R.O. / OEM			
PH130-0046	50-79472	129	PRE3300C12	8M0082584	160	REC10W30U3	83	
PH130-0046	50-884238T	129	PRE3300C13	8M0082585	160	REC10W30U6	83	
PH130-0047	480955	128	PRE3300C14	8M0082586	160	REC11-13436	11-13436	335
PH130-0047	50-583869	128	PRE3300C15	8M0082587	160	REC11-161471	161471	297
PH130-0047	50-616955-1	128	PRE3300C16	8M0082588	160	REC11-161471	11-161471	352
PH130-0047	50-819085	128	PRE3300C17	8M0082589	160	REC11-161470	16147	289
PH130-0047	50-819085-1	128	PRE3300C18	8M0082590	160	REC11-31990Q02	11-31990A2	354
PH130-0047	50-819085-T1	128	PRE3300C19	8M0082591	160			305-307-
PH130-0049	50-814980M	126	PRE3300C20	8M0082592	160	REC11-35921	11-35921	335-337-
PH130-0049	50-96359M	126	PRE3300C21	8M0082593	160			341
PH130-0049	50-97693M	126	PRE3300C22	8M0082594	160	REC11-4011912	11-40119-12	295
PH130-0055	50-804312T1	129	PRE3300C23	8M0082595	160	REC11-4011912	11-4011912	352
PH130-0057	50-881368T	129	PRE3300C24	8M0082596	160	REC11-4011912		354
PH130-0057	50-881368T1	129	PRE3300C25	8M0082597	160	REC11-401378	11-401378	305
PH130-0057	50-881368T2	129	PRE3300C26	8M0082598	160	REC11-40140	11-40140	293
PH130-0061	50-803835T02	126	PRE3300C27	8M0082599	160	REC11-52707Q1	11-52707A1	354
PH130-0062	50-814980M	127	PRE3300C28	8M0082600	160	REC11-52707Q1	11-52707Q1	334-336-
PH130-0066	50-853329T	129	PRE3300C29	8M0082601	160			354
PH130-0066	50-853329T01	129	PRE3300C30	8M0082602	160	REC11-52707Q1	11-827614Q	337
PH130-0066	50-892339T	129	PRE3300C31	8M0082603	160	REC11-52707Q1		352-354
PH130-0066	50-893892T	129	PRE3300C32		160	REC11-69578Q1	11-69578	352
PH130-0072	50-41583	127	PRE3300C33		160	REC11-69578Q1	11-69578A1	301-303-
PH130-0072	50-41583T	127	PRE3300C34	8M0082604	160			327
PH130-0074	50-888333T	130	PRE3300C35		160	REC11-69578Q1		354
PH130-0074	50-888333T1	130	PRE3300C36	8M0082605	160	REC11-8267089	11-13438	327-335
PH200-T003	19217A1-A5	151	PRE3300C38	8M0082606	160	REC11-859124	11-45812	327
PH200-T003	809885A2	151	PRE3300C40		160	REC11-88228	11-88228	295
PH200-T003	818903A1	151	PRE3300C42		160	REC11557		338
PH200-T003	819479A1	151	PRE3300C44		160	REC11770		338
PH200-T003	819480A1	151	PRE3300C46		160	REC12-12577	12-12577	305
PH200-T003	819762A4-A7	151	PRE3300C48		160	REC12-16448	12-16448	293
PH200-T003	81977A8-A9	151	PRE3300C50		160	REC12-191833	12-19183	347
PH200-T003	822870A1	151	PRE53006	8M0082529	160	REC12-191833	12-19183-2	337
PH200-T003	830250A3-T3	151	PRE53007	8M0082530	160			293-295-
PH200-T003	832021A1-T4-A2-T2	151	PRE53008	8M0082531	160	REC12-191833	12-19183-3	301-303-
PH200-T003	855654A1-T2	151	PRE53010	8M0082532	160			305-327-
PH200-T008	823653A5/A9	152	PRE53011	8M0082533	160			335
PH200-T008	92459A4	152	PRE53012	8M0082534	160	REC12-191833	12-20260	317-347
PH200-T010	828708	152	PRE53013	8M0082535	160	REC12-191833		68-69-70
PH200-T010	828708T	152	PRE53014	8M0082536	160	REC12-20084	12-20084	347
PH200-T010	878265A2	152	PRE53015	8M0082537	160	REC12-29245	12-29245	295-301-
PH200-T010	878265A4	152	PRE53016	8M0082538	160			327-335
PH200-T015	17649A1/A02	152	PRE53017	8M0082539	160	REC12-29245	12-89302	295
PH200-T033	824051	152	PRE53018	8M0082540	160	REC12-31211Q01	13171	352
PH200-T033	830250A6	152	PRE53019	8M0082541	160	REC12-31211Q01	12-825467	352
PH200-T069	88845T02	152	PRE53020	8M0082542	160	REC12-31211Q01	12-835467	337
PH200-T069	888645T1	152	PRE53021	8M0082543	160	REC12-31211Q03	12-31211A2	354
PH200-WH01	84-819514T26	151	PRE53022	8M0082544	160	REC12-31211Q03	12-31211A3	335-337
PH200-WH01	84-826075A2	151	PRE53023	8M0082545	160			354
PH200-WH01	84-826802A4	151	PRE53024	8M0082546	160	REC12-38453	12-38453	170-327
PH300-0019	821663	136	PREKM63706	8M0082547	160	REC12-41369	12-41369	293
PH300-0019	821663A1	136	PREKM63707	8M0082479	160	REC12-45176	12-45176	305
PH300-0030	889955	136	PREKM63708	8M0082480	160	REC12-76451	12-76451	169
PH300-0030	875285T1	136	PREKM63709	8M0082481	160	REC12-77674	77674	309
PH300-0030	881248T	136	PREKM63710	8M0082482	160	REC12-77674	12-77674	307-327-
PH300-0031	889956	136	PREKM63711	8M0082483	160			335-337-
PH300-0031	875286A1	136	PREKM63712	8M0082484	160	REC12-78910	12-78910	347
PH300-0031	881247A1	136	PREKM63713	8M0082485	160	REC12-78910	12-78910	335
PH300-0047	50-897755T	137	PREKM63714	8M0082486	160	REC12-815481	815481	305
PH300-0047	8M0063970	137	PREKM63715	8M0082487	160	REC12-835467Q01	13171	353
PH300-0048	892940T/T01	136	PREKM63716	8M0082488	160	REC12-835467Q01	12-835467-1	335
PH350-0003	62351	138	PREKM63717	8M0082489	160	REC12-835467Q01	835467Q01	353
PH350-0003	78614	138	PREKM63718	8M0082490	160			354
PH350-0003	332-2910	138	PREKM63719	8M0082491	160	REC12-85303	12-85303	169
PH350-0003	816770/T	138	PREKM63720	8M0082492	160	REC12-855941	12-855941	305
PH350-0003	8M0058226	138	PREKM63721	8M0082493	160	REC12-86645	12-86645	347
			PREKM63722	8M0082494	160	REC12-86645	12-86645-1	295-301
PH350-0003		135-136-	PREKM63723	8M0082495	160	REC12-8M0012298	812876	252
		147-148-	PREKM63724	8M0082496	160	REC12-94182	12-94182	168
		149	PREKM63724	8M0082497	160	REC12094	46-43024A7	186-304
PH375-0008	809463A1	132				REC12094	46-8M0113799	186
PH375-0011	25661-1	132						189-191-
PH375-0028	89-68258A4	132						194-195
PH375-0031	65057A1	132	RAC120R-RAC-01		75			
PH375-0034	89-818997A1	133	RAC31871	35-884380T	78	REC12415	12415	110
PH375-0034	89-850187T1	133	RAC31871	35-8M0020349	78	REC12596T2	12596T2	305
PH375-0036	89-818999A1/A2	133	RAC31871	8M0060041	78	REC13-423511	13-42351-1	335-337-
PH375-0036	89-825842A1	133	RAC31871	8M0122423	78			353
PH375-0036	89-850188A1	133	RAC320R-RAC-01	8M0097838	75	REC13191Q01	13191A1	305-352
PH375-0037	89-817109A1	134	RAC320R-RAC-03		75	REC13191Q01	75282A1	352
PH375-0037	89-817109A2	134	RAC490R-RAC-01		75	REC13191Q01		344-354
PH375-0037	89-817109A3	134	RACPF5510		74	REC13350	75692	162
PH375-0037		135	RACRK22628		76	REC13350	27-62386	162
PH375-0042	881352T	132	RACS3213		75	REC13650-52G00	898101118	112-113
PH375-0042	89-853809001	132	RACS3227		75	REC13650-56B00	880882T	109-114
PH375-0042	8M0098898	132	RACS3240		76	REC13914Q02	11-13914A2	354
PH375-0042		134-135	REC09168-10022	8M0082880	68-298	REC1395-2015	1399-1717	100
PH375-0047	804281T	132	REC09401-11425		72	REC1395-2015	1399-2015	100
PH375-0047	87-851839	132	REC09401-11425BULK		72	REC1395-2015	1399-3523	100
PH375-0047	87-8518391	132	REC10-30720		346	REC1395-2015		92-93-94
PH375-0047		134	REC10-48408	10-30720	293	REC1395-48401	1395-4808-1	93-94-95-
PH375-0048		134	REC10-49908	10-48408	295			103
		132	REC10-69570	10-49908	168	REC1395-5198	1399-5135	101
PH400-0002	398-832075A3-A4-A5-A6-A9-A12, 398-9873A22-A28	144	REC10-79953Q04	10-69570	345	REC1395-5198	1399-5198	92-93
PH400-0002		147-148-	REC10-79953Q04	10-79953Q04	307	REC1395-6200	1395-6200	93-94-102
		149			293-295-	REC1395-6452	1395-6452	103
PHSEL-239	89-96158	133			301-303-	REC1395-6452	1395-8506	103
POWERHEAD20-25		217	REC10-79953Q04	10-79953Q2	305-317-	REC1395-6452		95-96
PRE30107	82779	159			327-335-	REC1395-6452	1395-7623	106
PRE30212	892790A01	159	REC10-806327	10-806327	307-337	REC1395-7623	1395-9267	106
PRE3300C05	8M0082577	160	REC10-816928	10-19937-16	337	REC1395-7623		95-96
PRE3300C06	8M0082578	160	REC10-816928	10-816928	307	REC1395-7824	1395-7824	95-96-105
PRE3300C07	8M0082579	160	REC10-82684430	10-826844-30	293-305	REC1395-8112231	1395-811223-1	102
PRE3300C08	8M0082580	160	REC10-91012	91012	249	REC1395-8112231	1395-8112231	249
PRE3300C09	8M0082581	160	REC10-94320	94320	252-253	REC1395-8112231		93-94-95
PRE3300C10	8M0082582	160	REC10-94320	10-94320	252	REC1395-811690-1	1395-811690-1	95-96-105
PRE3300C11	8M0082583	160	REC10-96411	10-96411	335-346	REC1395-811691-2	1395-811691 2	95-96-
								103-104

REF	R.O. / OEM		REF	R.O. / OEM		REF	R.O. / OEM	
REC1395-811691-3	1395-811691	103-104	REC17-828356	17-828356	307-335-337	REC25-33465	25-54029	263-264-265
REC1395-823635-4	1395-823635-4	101	REC17-85096	17-85096	295	REC25-35027	25-35027	337
REC1395-823635-4	1395-8236354	252	REC17-85500	17-85500	295	REC25-36318	25-36318	337
REC1395-823635-4		104	REC17-85593	17-85593	295-301	REC25-36318	25-896322	307
REC1395-8318	1395-8318	92-93-94-95-104	REC17-8M0020942	17-38113	303-327	REC25-45258	25-45258	303
REC1395-8673	1395-8673	106	REC17-8M0084243	17-78905	335	REC25-457101	25-45710	305
REC1395-8673	1395-8983	106	REC17-8M0084681	17-30632	305-307-335-337-344	REC25-62700	25-62700	263-265
REC1395-8673		92-93-94-95			69-199	REC25-62702	627021	219-223
REC1395-9022	1395-9022	92-93-105	REC17264T2		199	REC25-62705001	25-6270501	226
REC1395-9024	1395-9024	93-102	REC17264T2AL		154	REC25-62706	25-62707	263-264-265
REC1395-9594	1395-9594	93-94-95-106	REC18-5007		154	REC25-64872	25-64872	168
REC1395-9595-1	1395-9595-1	93-94-95-105	REC18-5012		154	REC25-67202	25-69202	295
REC1395-9650		101-104	REC18495A13	18495A4-5-6-8-13	141	REC25-80863	25-20863	263
REC1395-9651	1395-9651	93-102	REC18495A26	18495-A10-12-15-18-19-26	142-147-148	REC25-80863	25-815460	301
REC1395-97611	1395-811357	101	REC18495A30	18495A9, A14, A15, A20, A21, A25, A30	141-147	REC25-80863	25-809086	97
REC1395-97611	1395-9179	101	REC19052A8	19052A1, 2, 3, 4, 5, 6, 8	141-147	REC25-815460	25-815460	303
REC1395-97611	1395-9377	101	REC19271-1	19271-1	93-94-104	REC25-818573	25-818573	238
REC1395-97611	1395-9645	101	REC19273	19273	106	REC25-821308	25-821308	301
REC1395-97611	1395-9725	101	REC19291A3	19291A3	301-303	REC25-822236	25-822236	293
REC1395-97611	1395-97611	101	REC19643	19643	347	REC25-823683	823683	252-253
REC1395-97611	1395-9803	101	REC19700A2	19700A2	69-181-191-193-194-303	REC25-823683	25-823683	263
REC1399-1473	1395-9258	92-93-104	REC19755T7	19755T7	307	REC25-823683	25-854639	264-265
REC1399-1473	1399-1138	104	REC200		150	REC25-854549	25-854549	168
REC1399-1473	1399-1473	104	REC20843	20843	303-327	REC25-85549	25-85549	295
REC1399-1473		92-93-94	REC21-13424A1	21-13424A1	90-93-94	REC25-86203	25-86203	181
REC1399-3938	1399-3938	79	REC21-30430A1	21-30430A1	94-95	REC25-86203	25-86203	295
REC1399-5137	1399-5137	92-93-101	REC21-30430A13	21-30430A13	90-94	REC25-89497	25-89497	263-265
REC1399-99	1399-99	278	REC21-30430A14	21-30430A14	90-94-95	REC25-896523	25-896523	264-307
REC14-18323	14-18323	337	REC21-30430A3	21-30430A3	91-93-94-95	REC25-898836	898836	231
REC14-76281Q	14-76281	301-303-327-354-353	REC21-30430A4	21-30430A4	91-93	REC25-8M0000190	25-8M0000190	309
REC14-79447	14-79447	335	REC21-30430A7	21-30430A7	91-95	REC25-8M0034912	8M0034912	227
REC14307T01	14307T01	86	REC21-42990A10	21-42990A10	90-93-94-95-96	REC25-8M0056667	8M0056667	227
REC14307T01	14307T01	86	REC21285		354	REC25-8M0087846	807375	297
REC14334A3	14334A3	179-191-193-194-303	REC21307		354	REC25-8M0142840	25-8M0142840	309
REC14355		269-270	REC22-41622	416223	223	REC25-90011	25-90011	263-335-337
REC14360T74	14360T74	84	REC22-424254	22-424254	76	REC25000	89876A3	74
REC14360T77	14360T77	85	REC22-67892A05	22-67892A05	303	REC25010		74
REC14365		269-270	REC22-67892A05		293-295-301-303-305-327-335-345	REC25020		74
REC14450		269-270	REC22-687271	22-687271	168	REC25030		74
REC14460		269-270	REC22-8189941	22-8189941	76	REC25W40U3		83
REC14479-1	14479-1	168	REC22-887987A1	22-887987A1	347	REC26-00173	26-85107	238
REC14480	14480	167	REC22-8M0001721		72	REC26-12224	26-12224	189-335-337
REC14586	14586	69-162-164	REC22215		354	REC26-12709	26-12709	238
REC14586A3	14586A3	164-166	REC23-29804	23-29804	335-347	REC26-14240	26-14240	238
REC14586A7	14586A7	164-166	REC23-41367	23-41367	293	REC26-16051	26-16051	244
REC1463-9382	32193A2	119	REC23-420911	23-42091-1	293	REC26-16130	16130	289
REC1463-9382	806529A1	119	REC23-420911	23-420911	353	REC26-161301		188
REC14857A16	14857A10, A16	149	REC23-43045	23-43045	303	REC26-16162	26-16162	289
REC15-201		125	REC23-43052A4	23-43052A4	305	REC26-161622	161622	188-297-299
REC15-202		125	REC23-77631A2	23-77631A2	327-335	REC26-16703	26-16703	204
REC15-203	84-813715A1	125	REC23-813696A2	23-813696A2	303	REC26-16977	26-16977	177-238-263-335
REC15-204		125	REC23-815921A21	23-815921A4-A10	344	REC26-24590	26-24590	176-177-238
REC15-38657A1	15-38657A1	307	REC23-821927	23-821927	293	REC26-30913	26-30913	176-238-317
REC15-38657A1	8M0063268	309	REC23-823943	23-823943	293	REC26-32511	26-32511	238
REC15-42637A1	15-42637A1	346	REC23-823944	23-823944	293	REC26-33467	26-33467	176-238
REC15-42637A1	8M0063267	309	REC23-824108	23-824108	335-337	REC26-33613	26-33613	293-317
REC15-44491A1	15-44491A1	305-337	REC23-85095	23-85095	295	REC26-36556	26-36556	347
REC15-47397A1	15-47397A1	335-337-346	REC23-85557	23-85557	295	REC26-36558	26-36558	317
REC15-812770A1	15-812770A1	303	REC23-86215	23-86215	317	REC26-38452	26-38452	327-347
REC15-884327A02	15-884327A01	307	REC23-891919001	23-891919001	307	REC26-38970	26-38970	335-344
REC15-8M0063265	15-44492A1	305	REC23-8M0142859	23-8M0142859	309	REC26-41132	26-41132	295
REC1504952	87-19761	133	REC23-8M0164967	23-8M0164967	309	REC26-413651	26-41365-1	293
REC15200-96J00		88	REC23014A1	23014A1	91-92-93-94-95	REC26-41365A3	26-41365A3	174-176-293
REC155278A1	155278A1	91-93-94-95	REC24-13421	24-29340A1-T1	130	REC26-419533	26-41953	238
REC16058	16058T	119	REC24-30893	24-30893	303-305-307-335-337-346	REC26-419533	26-41953 3	263
REC16061T04	16061T04	140	REC24-38114	24-38114	301-327-346	REC26-419533		264-265
REC16066004	16066004	112	REC24-42996	24-42996	168	REC26-421021	26-42102-1	293
REC16157	16157	181	REC24-47968	24-47968	168	REC26-42133	26-42133	293
REC161571	161571	287	REC24-64878	24-64878	168	REC26-43035	26-43035	305
REC16159	16159	68-180-289	REC24-78962	24-78962	335	REC26-43035A4	26-43035A4	174-176-189-304
REC1623-822442A19	1623-822442A19	281	REC24-79910	24-79910	335	REC26-43036	26-43036	177-238-305
REC1623-822442A20	1623-822442A20	281	REC24-815418	24-815418	303	REC26-43993	26-43993	253
REC1623-859399T13	1623-859399T13	281	REC24-86860	24-86860	295	REC26-43993	26-43993	238
REC1623-859399T14	1623-859399T14	281	REC24-90392	24-90392	168	REC26-43993	26-43993	252-263
REC16253	16253	92-105	REC24111-827954T2	827954T	249-270	REC26-45587	26-45587	238
REC162532	162532	105	REC24942		74	REC26-55682	26-32911	238
REC1647-9148T81	1647-9148T81	281	REC24950	35-802893Q4	74	REC26-55682	26-55682	238
REC1647-9148T82	1647-9148T82	281	REC24952		74	REC26-56397	26-56397	175-176-334
REC1647-9148T84	1647-9148T84	281	REC25-20081	25-20081	263	REC26-56788	26-56788	177
REC1647-9148T85	1647-9148T85	281	REC25-20273	25-20273	181-327	REC26-62818	26-62818	238
REC16496	16496	168	REC25-21836	25-21836	309	REC26-66022	26-66022	293-317
REC1667-9011G90	1667-9011G70	282	REC25-25439	25-25439	327-335	REC26-66301	26-66301	263-264
REC1667-9011G90	1667-9011G90	282	REC25-30224	25-30224	303	REC26-66302	26-66302	263-264-337
REC1667-9011J41	1667-9011J41	282	REC25-30271	25-30271	181-335	REC26-66303A1	26-66303A1	175-176-177-178
REC1667-9011R6	1667-901110.11	282	REC25-30529	25-30529	317	REC26-69188	26-69188	188-189-238-301-303-327
REC1667-9011R6	1667-901167.78	282	REC25-31534	25-31534	337	REC26-69189	26-69189	176-177-188-189-238-301-303-327
REC1667-9011R6	1667-9011G51	282	REC25-31534	25-31534	335			
REC1667-9011R6	1667-9011J6	282	REC25-31534	25-31534	307			
REC1667-9011R6	1667-9011R6	282	REC25-32546	25-32546	263-264			
REC16910-GB2-005	35-8M0157133	77	REC25-33145	25-33145	293			
REC17-43043	17-43043	303						
REC17-43043	8M0084244	309						
REC17-81511Q02	815111	287						
REC17-822369	17-822369	301						

REF	R.O. / OEM		REF	R.O. / OEM		REF	R.O. / OEM	
REC26-70080	26-89236	189-238	REC27-19552	27-19552	327	REC27-856081	27-85608-1	184-335
REC26-70081	26-70081	177-189-	REC27-19553	27-19553	183-327	REC27-85653A87	27-85653A87	257-261
REC26-72785	26-72785	238-305	REC27-25725	27-25725	154	REC27-856704	27-85610-1	184
REC26-76127	26-41131	238	REC27-25848	27-25848	170	REC27-856729	27-85490-2	262
REC26-76868	26-14077	177-295	REC27-25849	27-25849	107	REC27-856730	27-85653-1	276
REC26-76868	26-76868	238-337	REC27-279361	27-27936-1	279	REC27-858524	27-858524	184-335
REC26-76868	26-76868	238-305-	REC27-29166	27-29166	154	REC27-877361	27-87736-1	280
REC26-76868	26-76868	335-337	REC27-29586	27-29586	347	REC27-880624003	880624003	231
REC26-76868	26-76868	177-189	REC27-31402	27-31402	278	REC27-880624003	27-880624003	237
REC26-77066A1	26-77066A1	174-176-	REC27-32438	27-32438	183	REC27-880624003		240
		317	REC27-32771	27-32771	184	REC27-880729	27-880729	307
REC26-79831	26-79831	176-177-	REC27-385011	27-38501-1	275	REC27-883213	27-883213	87-97
		238-327	REC27-39401	27-39401	259	REC27-883252	27-883252	97
REC26-79831A1	26-79831A1	174-176-	REC27-39402	27-39402	276	REC27-883775	27-813859	280
		327	REC27-396231	27-39623	182	REC27-88449	27-88449	262
REC26-803514	898101285	203	REC27-39625	27-39625	182	REC27-88449A32	27-88449A32	256-260
REC26-803514	25-803514	244	REC27-39626	27-39626	182	REC27-884511	27-88451-1	258
REC26-803514	26-803514	204	REC27-41245-1	27-41245-1	255-261	REC27-889319	27-889319	97
REC26-803514	8036674	241	REC27-41246-1	27-41246-1	255-261	REC27-889561	27-889561	274
REC26-8036674	803752	298	REC27-41499A87	27-41499A87	255-260	REC27-889617001	889617001	277
REC26-803752	26-18816	297-298	REC27-41670006	27-41670-3	258	REC27-889618001	27-889618001	274
REC26-807006	26-814669	238	REC27-418786T	27-418786T	255-261	REC27-892211	27-89221-1	279
REC26-814669	26-814669A2	303	REC27-42364A92	27-42364A92	255-260	REC27-89221A88	27-89221A88	257-261
		174-176-	REC27-426311	27-42631-1	183-335	REC27-895822	27-895822	274
REC26-814669A2	26-814669A2	188-189-	REC27-43004009	27-43004-1	276	REC27-896142	896142	229
		302	REC27-43004A99	27-43004A99	253-256-	REC27-896142	27-896142	237
REC26-814670	814641	303	REC27-430057	27-430057	260-261	REC27-896142		239-240
REC26-814641	26-814641	309	REC27-430068	27-43006-8	170	REC27-897534A07	27-897534A07	226-235
REC26-814641	26-814641	238	REC27-430075	27-43007-3	259	REC27-898101331	898101331	68-287
REC26-814641-1	26-814641-1	303-305-	REC27-430086	27-430086	276	REC27-89937	27-89937	258
		307-327-	REC27-430331	27-43033-1	183-305-	REC27-8M0024563	27-897534	237
		335-337	REC27-430472	27-43047-2	307-337	REC27-8M0024563	27-8M0024563	237
REC26-8164641	23-29804	345	REC27-433374	27-43337-4	183-305	REC27-8M0024563	8M0024563	226
REC26-816575A2	26-816575A2	307-337	REC27-437772	27-43777-2	275	REC27-8M0057703	27-8M0057703	237
REC26-816575A4	26-816575A4	175-176-	REC27-437792	27-43779-2	262	REC27-8M0057703	8M0057703	227
		336	REC27-43779A87	27-43779A87	262	REC27-8M0057703		239-240
REC26-816575A5	26-816575A5	175-176-	REC27-46351	27-46351	256-260	REC27-8M0057763	27-8M0057763	227-236
		336	REC27-47190	27-47190	154	REC27-8M0075040	27-8M0075040	182
REC26-8173971	817397 1	249	REC27-481641	27-48164-1	154	REC27-8M0075040	8M0075040	297
REC26-820645A1	26-820645A1	174	REC27-48801	27-48801	279	REC27-8M0075040		68
REC26-821092	26-821092	238	REC27-552791	27-55279-1	277	REC27-8M0135597	27-8M0135597	87-97
REC26-821309	26-821309	301	REC27-62107	27-62107	279	REC27-8M0135804	27-8M0135804	182
REC26-821310	26-821310	301	REC27-62386001	27-62386	166-169	REC27-8M0135804	8M0135804	298
REC26-821928	26-821928	293	REC27-628601	27-62860-1	258	REC27-8M0135806	27-8M0135806	182
REC26-823894	26-68493	238	REC27-657443	27-65744-2	280	REC27-8M0135806	8M0135806	298
REC26-830749	830749	309	REC27-66847	27-66847	167-275	REC27-8M0142616	27-8M0050720	183
REC26-830749	26-830749	307	REC27-672751	27-67275-1	280	REC27-8M0142616	8M012903	309
REC26-830749	26-830749A01	69-70	REC27-677511	27-67751-1	279	REC27-8M0142616	8M0142616	183
REC26-830749A01	26-830749A01	189-190-	REC27-692381	27-69238-1	276	REC27-8M0146938	8M0146938	309
		307	REC27-695242	27-69524-2	275	REC27-8M4502052	27-19701	303
REC26-830898	26-830898	263-265	REC27-695252	27-69525-2	275	REC27-8M4502052	27-8M4502052	69-183
REC26-8509001	26-850901	295	REC27-703351	27-70335-1	275	REC27-8M6000365	27-8M6000365	227
REC26-85090A1	26-85090A1	174-176-	REC27-72486A32	27-72486A32	256-260	REC27-8M6000366	27-8M6000366	234
		295	REC27-733771	27-733771	279	REC27-8M6000366	8M6000366	227
REC26-85090A2	26-85090A2	174-176-	REC27-75786	27-75786	277	REC27-8M6000366		239-240
		295	REC27-757911	27-75791	278	REC27-904301	27-90430-1	280
REC26-85370711	26-85370711	204-241	REC27-75909	27-75909	259	REC27-904841	27-90484-1	276
REC26-8537077	26-8537077	263-265	REC27-76636	27-76636	280	REC27-90484A88	27-90484A88	257-261
REC26-859093	26-815449	87-88-	REC27-76952	27-76952	279	REC27-935361	27-93536-1	280
REC26-880596502	26-880596502	89-97	REC27-78028A78	27-78028A78	256-260	REC27-96278	27-96278	262
REC26-880629	26-880629	274	REC27-782461	27-78246	276	REC27-96542-1	27-96281T01	254
REC26-88397	26-88397	345	REC27-78409	27-78409	276	REC27-96542-1	27-96542-1	254
REC26-888483	888483	305-309	REC27-78410	27-78410	262	REC27-96542-1		261
REC26-888483	26-888483	307	REC27-78411	27-78411	276	REC27-96761-1	27-96761-1	280
REC26-888483	26-888906	307	REC27-78690002	27-78690	167-280	REC27-987691	27-98769-1	279
REC26-888483	26-888593	189-190	REC27-78690002	27-78690002	167	REC27-991734	27-99173-2	276
REC26-888593	26-888593	70-81	REC27-79583-1	27-79583-1	255-261	REC27-991764	27-99176-3	259
REC26-888920	26-888920	307	REC27-79583A81	27-79583A81	258-261	REC27-991772	27-99177-2	259
REC26-888921	26-888921	307	REC27-796501	27-79650-1	258	REC27-993163	27-993163	280
REC26-89238	26-89238	177-238-	REC27-803508	803508	204	REC27-993261	27-99326-1	182-295
		335	REC27-803508	27-803508	234	REC27-997761	27-99776-1	259
REC26-89238A2	26-89238A2	175-176	REC27-8127755	27-812775-5	276	REC2704-821896A4	2704-821896A4	269
REC26-897153	26-90063	238	REC27-812775A01	27-812775-4	276	REC2704-821896A4	821896A4	253-271
REC26-897153	26-96063	317	REC27-8128671	27-812867-1	167	REC2704-826191T4K	2704-826191A4	269
REC26-897153	26-897153	239	REC27-8128672	27-812867-2	167	REC2704-826191T4K	2704-826191A4	271
REC26-897540	26-8M0032912	229	REC27-8128677	27-812867-7	167	REC2704-826191T4K	2704-826191T4	271
REC26-8M0032912	8M0032912	231	REC27-812867A97	27-812867A97	249-256	REC2704-826191T4K	826191T4	252-253
REC26-8M0032912	26-8M0032912	239-240	REC27-812868	27-812868	279	REC2704-826191T4K		270
REC26-8M0033928	884461	227-239-	REC27-812869	27-812869	279	REC2720-881054T10K	2720-881054T10	271
		240	REC27-8141951	27-814195-1	280	REC2720-881054T10K	2720-881054T3	268
REC26-8M0035127	8M0035127	221-239-	REC27-814754A00	27-814754A00	257-261	REC2720-881055T10K	2720-881055T10	271
		240	REC27-815791A92	27-815791A92	257-261	REC2720-881055T10K	2720-881055T3	268
REC26-8M0036343	26-804349004	226	REC27-8172771	8172771	309	REC28-30281	28-30281	327-335
REC26-8M0142851	26-8M0142851	309	REC27-8172771	27-43034-1	183	REC28-42376A2	28-42376A2	68-293-
REC26-8M0142851	26-8M2014338	345	REC27-8172771	27-817277-1	337			346
REC26-8M0142979	26-8M0142979	175-190-	REC27-821370	27-821370	279	REC28-803749	803749	297
		309	REC27-822189	27-822189	69-183-	REC28-803749	28-803749	346
REC26-90562	26-90562	176-177-	REC27-822217	27-822217	301-303	REC28-803749		68
		238-327	REC27-82240A94	27-82240A94	183-301	REC28-8M0032831	28-19699	346
REC26-94038	26-94038	177-238	REC27-822844T04	27-822844T04	254-261	REC28-8M0032831	28-8M0032831	303-346
REC26-99325	26-99325	295	REC27-8231422	27-8231422	259	REC28-8M0032831		69
REC27-11338A88	27-11338A88	257-261	REC27-825032	27-825032	234-238	REC28-8M0032833	28-43037	305-307-
REC27-134612	27-134612	279	REC27-827284	27-827284	167	REC28-8M0032833	8M0032833	337-346
REC27-13461A99	27-13461A99	256-261	REC27-828553A97	27-828553A97	256	REC28-8M0032838	28	

REF	R.O. / OEM		REF	R.O. / OEM		REF	R.O. / OEM	
REC29-818391001	29-818391	269	REC31-812873A1	31-812873A1	263-264	REC35-877761Q01	35-877761Q01	80
REC29-818391001		266-271	REC31-813048	31-813048	244-267-271	REC35-877761Q01		69-80-81-82
REC29-822553	29-822553	266-268-271	REC31-8130482	31-813048 2	267	REC35-87946Q04	35-87946Q04	78
REC29-88258	29-88258	252-269	REC31-8130482	31-8130482	248	REC35-87946Q04	35-87946Q3	78
REC29-88258	29-88258001	268	REC31-8130482		271	REC35-879885T	35-879885T	77
REC29-88258		266-271	REC31-814653T	814653T	309	REC35-879885T		69-70-81-82-83
REC2TU3		83	REC31-816773A2	31-816773A1	263-265	REC35-883701K01	35-877769Q01	80
REC2TU6		83	REC31-818889A1	31-818889A1	249	REC35-883701K01	35-883701K01	80
REC30-16049	16049	203	REC31-821321A1	31-821321A1	293-301	REC35-883701K01		70-80-82-83
REC30-16049	30-16049	242-244-263	REC31-828439A2	31-828439A2	337-340-341	REC35-883701K01		70-79-78-79
REC30-16049		241-264	REC31-855553	31-855553	249	REC35-893318T02	35-893318T02	70-79
REC30-160494	30-160494	248-263	REC31-879877A1	31-879877A1	266-267-271	REC35-896247	35-896247	69-79
REC30-16049T01	30-16049T01	248	REC31-884325T01	31-884325T01	271	REC35-896546T	35-877767K01	80
REC30-20839T	30-20839T	301-303-327	REC31-884325T01	31-884325T01	307	REC35-896546T	35-877767Q01	80
REC30-62567T	30-62567T	263-264	REC31-884325T01	8M0142835	309	REC35-896546T	35-896546T	80
REC30-63326T		264	REC31-98294A1	31-98294A1	295	REC35-896546T		69-80-82
REC30-64424T	30-64424	263	REC310414	25-47254	263	REC35-8M0088825	35-853733A2	78
REC30-64424T	30-64424T	263	REC310414	25-97386	305	REC35-8M0088825	35-853733T02	78
REC30-64424T		264	REC310584	25-35276	264	REC35-8M0088825	35-853733T03	78
REC30-67923T	30-67923	263	REC313339	11-55910	295	REC35-8M0088825	35-898101T68	78
REC30-67923T	30-67923T	263	REC3164004		301-303-327-341	REC35-8M0088825	35-8M0088825	78
REC30-67923T		265	REC3164004AL		199	REC35-8M0088825		81
REC30-72961	31-72961	242	REC318395	878907	69-70-199	REC35-8M0106635	8M0106635	70-78-82-83
REC30-88957T	30-88957T	335-337	REC32-88005	32-88005	167	REC35-8M0122423	35-884380T	78
REC30-95347	30-95347	289	REC32-88006	32-88006	151	REC35-8M0122423	35-8M0020349	78
REC30-95347	30-95347	289	REC320961	26-56788	238	REC35-8M0122423	8M0060041	78
REC300-01852	332-5524, A1, A5, A6, A9, A12, A14	142	REC324351	32435	181-194-195-196-335	REC35-8M0122423	8M0122423	78
REC300-01852		147-148-149	REC327031	26-30900	317	REC35-8M0123025	35-8M0123025	69-70-82-83
REC300-03107	332-5772A1	141	REC327674	27-327674	275	REC35-8M0134466	35-8M0134466	70-80-82-83
REC300-03107	332-5772A2	141	REC32768	32768	327	REC35-8M0134466	35-8M0134466	68-78-81
REC300-03107	332-5772A3	141	REC32768	54705	181	REC35-8M0149607	35-8M0149607	77-81
REC300-03107	332-5772A5	141	REC32768		193-194	REC35-8M0157620	35-8M0095658	74
REC300-03107	332-5772A7	141	REC32800-38F10	881346T	138-139-146	REC35-8M0157620	8M0157616	74
REC300-03107		147-148	REC3303-812648T		100	REC35-8M0157620	8M0157620	74
REC300-08309	339-7370A13	117	REC3303-8231752		100	REC350-01005-0	27-803663	254
REC300-08310	339-85699A1	119	REC331886	22-9964-1	169	REC350038	12-92721	307-335-337-347
REC300-8M0044991	300-8M0044991	118-119-120-227	REC332-2986A27	332-2986A21	142	REC351-01005-0	27-803663018	254
REC300-8M0077471	339-879984A01	118	REC332-2986A27	332-2986A22	142	REC3717139	30-63742T	263
REC300-8M0077471	339-879984T00	118	REC332-2986A27	332-2986A25	142	REC3717139	63742T	249
REC300-8M0077471	339-879984T01	118	REC332-2986A27	332-2986A27	142	REC3717139		264
REC300-8M0077471	339-8M0077471	118	REC332-2986A27		147-148	REC3721001	37721	327
REC300-8M0077471		119-120	REC332-4911A8	332-4911A2-3-5-8	141	REC378252	31-67445	267
REC300-8M0088059	300-8M0088059	146	REC332-4911A8	338-4733A2	141	REC382343	31-54928-1	335
REC301877	25-85594	295-301	REC332-4911A8		147	REC3852045	25-62704	317
REC302588	25-26722	327	REC334-65021-1	803748	297	REC3852866	25-31986	327
REC303347	25-26802	317	REC334-65021-1	8M0135803	298	REC3852928	25-26855	301
REC308627	25-20826	263	REC335523	25-88955	263-265	REC387247	30-30956	337
REC309-01005-2	27-95299001	254	REC339-6120A1	339-5212A1	144	REC387247	31-30956T	335
REC309731	25-29439	317	REC339-6120A1	339-5313A1	144	REC387247	42647A1	309
REC31-12576	31-12576	305	REC339-6120A1	339-5589A1	144	REC387817	31-42647A1	307-335-337
REC31-12578T	31-12578T	305	REC339-6120A1	339-5590A1	144	REC39-16054A5	39-16054A5	248-271
REC31-16052	31-16052	267	REC339-6120A1	339-6119A1	144	REC39-18653A12	39-18653A12	271
REC31-16052	31-16052	244-248	REC339-6120A1	339-6120A1	144	REC39-18653A12	39-18653A12	268
REC31-16052		271	REC339-6120A1		147	REC39-19721A6	39-19721A6	268-271
REC31-16756A4	31-16756A4	265-267	REC339-6222A10	332-5524A1-2	140	REC39-803678A1	39-803678A1	271
REC31-16756A6	31-16756A6	263-271	REC339-6222A10	339-5287	140	REC39-803678A1	8M0080357	248
REC31-17514A2	17514A1	249	REC339-6222A10	339-6222A1-4-6-8-10	140	REC39-803678A3	39-803678A3	244-271
REC31-17514A2	31-17514A1, A2	267	REC339-6222A10	339-778A1-3-5-6-9-12	140	REC39-813011A12	39-813011A12	269-270-272
REC31-17514A2	8M0045428	267	REC339-6222A10		147	REC39-817096A6	39-817096A6	269-271-272
REC31-17514A2		266-271	REC339-7452A19	339-7452A1, A2, A3, A7, A8, A9, A10, A11, A14, A15, A21	141-147	REC39-821695A4	39-821695A4	268-271
REC31-21700	31-21700	301-303-327	REC339-825101T	339-825101T	118	REC39-822321A2	39-822321A2	269
REC31-21739	31-21739	295-303-327	REC339-825101T	339-825101T	117-119-120	REC39-822321A2	39-822321A2	269
REC31-30894A1	31-30894A1	305-335-337-339-340-341	REC339-877807A2	339-877807A2	118	REC39-822321A2	822321A 2	253
REC31-30895T	31-30895	305	REC339-880615T01	339-880615T01	120	REC39-822321A2		271
REC31-30895T	31-30895T	335-337	REC339-880615T01	339-880615T01	118	REC39-831255A6	831255A 6	249
REC31-32898T	31-32898T	335-337	REC339-880615T01	880615T01	226-231	REC39-8M0055809	39-8M0055809	207-242
REC31-35928T1	31-35928A1/T1	337-340-341	REC339-880615T01	880615T014	229	REC39-8M0055809	898103A47	203
REC31-36387A1	31-36387A1	335	REC339-880615T01		120	REC39-93481A12	39-93481A12	270-272
REC31-36387A1	31-36387A1	337	REC339-8M0077473	339-883778A01	118	REC394-1100A3	394-1100A3	154
REC31-36387A1	8M0146566	309	REC339-8M0077473	339-883778A02	118	REC394-1130A1	394-1130A1	154
REC31-38356A1	31-38356A1	327-339-341	REC339-8M0077473	339-8M0077473	118	REC39580		179
REC31-41326	31-41326	295-301	REC345-00042-0	345-00042-0	248-249-271	REC398-173	398-173	118
REC31-42677A1	31-42677A1	305	REC345-65021-0	161541	172-299	REC398-174	398-174	154
REC31-43012A1	31-43012A1,A2	267	REC346-01005-0	27-8129391	254	REC398-2202	398-2202	154
REC31-43012A1	43012A 1	252	REC35-18458Q4	35-18458Q4	74	REC398-5255	398-4770	145
REC31-43012A1	43012A 1	253	REC35-802893Q		74	REC398-5255	398-5255	145
REC31-43012A1		266-271	REC35-802893Q01		74	REC398-5255	398-5256	145
REC31-43013T3	31-43012T3	267	REC35-80365M	35-80365M	77	REC398-5454A17	398-5454A2, A5, A6, A7, A8, A9, A17, A18, A55	144-148-149
REC31-43013T3	43013T 3	252	REC35-822626Q03	35-822626Q03	80	REC398-5454A26	398-5454A26	145
REC31-43013T3	43013T 3	253	REC35-822626Q03	35-822626Q01	80	REC398-5454A35	398-5454A11, A15, A16, A30, A31, A32, A34, A35, A36, A61, A64, A66	144-148
REC31-43013T3	43013T 3	264-265	REC35-822626Q03	822626Q03	213	REC398-5454A47		146
REC31-53079A1	31-63079A1	335	REC35-822626Q04	35-822626Q0480	68-69-80-81	REC398-5454A7	398-5454A7	146
REC31-62091T	31-6291T	327	REC35-822626Q04	35-822626Q04	80	REC398-5704A7	398-5704A2, A4, A5, A7	145
REC31-62596A1	31-62596A1	266-267-271	REC35-822626Q04	822626Q04	225	REC398-5704A7		145
REC31-66668A1	31-99328A1	295-301-339	REC35-822626Q04	8M0065103	80	REC398-5704A7		147-148
REC31-74248T	31-74248T	265-267	REC35-822626Q04	8M0065104	223	REC398-693	398-693	154
REC31-77420A1	31-77420A1	303-327	REC35-822626Q04		69-80-81-82	REC398-832074A4	398-818535A17-18	145
REC31-77420A1	8M0146553	309	REC35-822626Q04		80	REC398-832074A4	398-873A9-17-19-24-25-28-29-32-33-35-38-39	145
REC31-78172A1	31-78172A1	335	REC35-822626Q15	35-822626Q15	80	REC398-832074A4	F747095	145
REC31-78172A1		340-341	REC35-822626Q15	35-822626T7	80			
REC31-8036752	31-803675 2	267	REC35-822626Q15	822626T7	233			
REC31-8036752	31-8036752	244	REC35-822626Q15		80-82			
REC31-8036752		271	REC3					

REF	R.O. / OEM	REF	R.O. / OEM	REF	R.O. / OEM		
REC398-832074A4	398-9710A11-12-14-15-22-23-25-28-30-31-33-34-36-38-39-43-45-46-47-48-49	REC44-12238T	44-12238T	305-344	REC47-89980	47-89980	171-192-317
REC398-832074A4	145	REC44-195133	44-195133	289	REC47-89980T1	47-89980T1	184-192-317
REC398-832075A20	398-832075A20	REC44-824110	44-824110	337-344	REC47-89981	47-89981	171-192-317
REC398-852386T8	398-852386A4	REC44-850308	44-850308	305-344	REC47-89981Q1	47-89981Q1	317
REC398-852386T8	398-852386T8	REC44-94148	44-94148	335-344	REC47-89981Q1T2	47-89981T2	184
REC398-852387T9	398-852387A4	REC45-161351	45-16135 1	289	REC47-89982	47-89982	171-193
REC398-852387T9	398-852387T9	REC45-816919	45-816472	344	REC47-89982T1	47-89982T1	185-193
REC398-852387T9	398-852387T9	REC45-854808A1	45-854808A1	305	REC47-89983Q1	47-89983Q1	327
REC398-852387T9	398-852387T9	REC45-858765T1	45-858765T1	305	REC47-89983Q1T2	47-89983T2	186
REC398-852387T9	398-852387T9	REC45-859105A1	45-859105A1	305	REC47-89983Q1T2	47-89983T2	186
REC398-852387T9	398-852387T9	REC45-875222A1	45-875222A1	305	REC47-89983T	47-89983T	171
REC398-852387T9	398-852387T9	REC45-878575T1	45-878575T1	305	REC47-89983T	47-89983T	327
REC398-855721T8	398-855721A4	REC45-8M0076368	45-16136 1	289	REC47-89984Q5	47-89984Q5	334
REC398-855721T8	398-855721T8	REC46-42040T5	46-42040A5	184	REC47-89984Q5	47-89984Q5	194-195-196
REC398-855721T8	398-855721T8	REC46-42040T5	46-42040T5	293	REC47-89984T4	47-89984T4	171
REC398-8778A29	398-818535A3-5-8-9-10-13-14-15	REC46-42040T5	46-42040T5	191-192-193	REC47-89984T4	47-89984T4	335
REC398-8778A29	398-8778A10-16-17-18-21-22-23-24-25-26-27-28-29	REC46-42089A2	46-42089A2	179-191-192-193-293	REC47-89984T4	47-89984T4	194-195-196
REC398-8778A29	F749095	REC46-42089A5	46-42089A5	184-191-192-193-293	REC47-89984T4	47-89984T4	171
REC398-8778A29	148	REC46-60366T1	46-60366Q1	186	REC47-89984T4	47-89984T4	335
REC398-878143T05	398-878143T05	REC46-60366T1	46-60366T1	186	REC47-89984T4	47-89984T4	335
REC398-878143T05	398-878143T3	REC46-60366T1	46-60366T1	193-194	REC47-89984T4	47-89984T4	335
REC398-878143T05	398-878143T3	REC46-70941A3	46-70941A3	184-192-317	REC47-89984T4	47-89984T4	335
REC398-9610A18	398-9610A18	REC46-70941A3	46-70941A3	178-192-317	REC47-89984T4	47-89984T4	335
REC398-9610A19	398-9610A3-A5-A6-A9-A14-A19-A22-A24-A33	REC46-70941T01	46-70941A1	179-193-194	REC47-89984T4	47-89984T4	335
REC398-9610A19	146	REC46-73640A1	46-73640A1	179-193-194	REC47-89984T4	47-89984T4	335
REC398-9610A19	148-149	REC46-73640A2	46-73640A2	187-193-194	REC47-89984T4	47-89984T4	335
REC3B2-01005-0	27-803663021	REC46-77177A1	46-77177A1	178-193-194-327	REC47-89984T4	47-89984T4	335
REC3C8-01005-4	27-81293910	REC46-77177A3	46-77177A3	186-193-194-327	REC47-89984T4	47-89984T4	335
REC3C8-01005-4	27-8M0062091	REC46-77822A1	46-77822A1	179-193-194-327	REC47-89984T4	47-89984T4	335
REC3F0-65029-0	898101332	REC46-812966A12	46-812966A12	186-302	REC47-89984T4	47-89984T4	335
REC3G2-06040-2	160643	REC46-812966A12	46-812966A12	186-302	REC47-89984T4	47-89984T4	335
REC3G2-06060-2	803706A3	REC46-812966A7	46-812966A7	188-189-191-193-194	REC47-89984T4	47-89984T4	335
REC3G2-06060-2	8M0047313	REC46-821307A2	46-821307A2	178-191-193-194-301	REC47-89984T4	47-89984T4	335
REC3G2-06060-2	8M0071855	REC46-8M0061040	46-8M0061040	69-187-189	REC47-89984T4	47-89984T4	335
REC3V1-87121-0	27-835427A04	REC46-8M0077147	46-42579A3	178-195-196-335	REC47-89984T4	47-89984T4	335
REC40135	35-816296Q03	REC46-96146A6	46-96146A6	178-193-196	REC47-89984T4	47-89984T4	335
REC40145	35-816296Q2	REC46-96148A8	46-60367A1	188	REC47-89984T4	47-89984T4	335
REC40155	35-816296Q2	REC46-96148A8	46-96148A8	187-188-334	REC47-89984T4	47-89984T4	335
REC40165	1395-9262-1	REC46-96148A8	46-96148A8	194-195-196	REC47-89984T4	47-89984T4	335
REC40470	1395-5109-1	REC46-96148T1	46-96148T1	180-194-195-196	REC47-89984T4	47-89984T4	335
REC40480	1395-5109-1	REC46-99157A02	46-99157A02	179-295	REC47-89984T4	47-89984T4	335
REC40970	150	REC46-99157T2	46-99157T2	185-191-193-295	REC47-89984T4	47-89984T4	335
REC40990	150	REC46895	46895	180-192-317	REC47-89984T4	47-89984T4	335
REC41-16056	41-16041	REC47-161543	47-161543	287	REC47-89984T4	47-89984T4	335
REC41-16056	41-80368003	REC47-161543 3	47-16154 3	289	REC47-89984T4	47-89984T4	335
REC41-803680002	41-803680002	REC47-161543	47-161543	187-193-194	REC47-89984T4	47-89984T4	335
REC41-803680003	41-803680003	REC47-19453Q2	47-19453Q2	68-172-187-193-194	REC47-89984T4	47-89984T4	335
REC41-8036801	41-8036801	REC47-19453T	47-19453T	69-172-173-191-193-194	REC47-89984T4	47-89984T4	335
REC41-825713002	41-825713002	REC47-20813	47-20813	303	REC47-89984T4	47-89984T4	335
REC41106-ZW9-000	68-199	REC47-22748	47-22748	171-192-196	REC47-89984T4	47-89984T4	335
REC41106-ZW9-000AL	8M0137344	REC47-420382	47-42038-2	68-172-191-192-193-293	REC47-89984T4	47-89984T4	335
REC41106-ZW9-000AL	199	REC47-42038Q3	47-42038Q3	293	REC47-89984T4	47-89984T4	335
REC414172	27-41417-2	REC47-42038T4	47-42038T4	184	REC47-89984T4	47-89984T4	335
REC414181	27-41418-1	REC47-42038Q3	47-42038Q3	191-192-193	REC47-89984T4	47-89984T4	335
REC414758	27-41475-8	REC47-42038Q3	47-42038Q3	184	REC47-89984T4	47-89984T4	335
REC414991	27-414991	REC47-42038Q3	47-42038Q3	191-192-193	REC47-89984T4	47-89984T4	335
REC42039	42039	REC47-42038Q3	47-42038Q3	184	REC47-89984T4	47-89984T4	335
REC421-B25F	1623-888680T06	REC47-42038Q3	47-42038Q3	191-192-193	REC47-89984T4	47-89984T4	335
REC421-B30F	1623-888680T07	REC47-42038Q3	47-42038Q3	184	REC47-89984T4	47-89984T4	335
REC42121Q02AL	68-199	REC47-42038Q3	47-42038Q3	191-192-193	REC47-89984T4	47-89984T4	335
REC42200	42200	REC47-42038Q3	47-42038Q3	184	REC47-89984T4	47-89984T4	335
REC42375	42375	REC47-42038Q3	47-42038Q3	191-192-193	REC47-89984T4	47-89984T4	335
REC42461A1	42461A1	REC47-42038Q3	47-42038Q3	184	REC47-89984T4	47-89984T4	335
REC42600A09	42600A1/3/5/09	REC47-42038Q3	47-42038Q3	191-192-193	REC47-89984T4	47-89984T4	335
REC428-B25F	1623-888680T08	REC47-42038Q3	47-42038Q3	184	REC47-89984T4	47-89984T4	335
REC428-B30F	1623-888680T09	REC47-42038Q3	47-42038Q3	191-192-193	REC47-89984T4	47-89984T4	335
REC42909A3	42909A3	REC47-42038Q3	47-42038Q3	184	REC47-89984T4	47-89984T4	335
REC42943A1	42943A 1	REC47-42038Q3	47-42038Q3	191-192-193	REC47-89984T4	47-89984T4	335
REC42943A1	42943A1	REC47-42038Q3	47-42038Q3	184	REC47-89984T4	47-89984T4	335
REC43-16138	16138	REC47-42038Q3	47-42038Q3	191-192-193	REC47-89984T4	47-89984T4	335
REC43-16138	43-16138	REC47-42038Q3	47-42038Q3	184	REC47-89984T4	47-89984T4	335
REC43-44104T2	43-44104T2	REC47-42038Q3	47-42038Q3	191-192-193	REC47-89984T4	47-89984T4	335
REC43-803498T1	43-803498T1	REC47-42038Q3	47-42038Q3	184	REC47-89984T4	47-89984T4	335
REC43-803499T1	43-803499T1	REC47-42038Q3	47-42038Q3	191-192-193	REC47-89984T4	47-89984T4	335
REC43-803739T03	803739T02	REC47-42038Q3	47-42038Q3	184	REC47-89984T4	47-89984T4	335
REC43-803740T02	803740T02	REC47-42038Q3	47-42038Q3	191-192-193	REC47-89984T4	47-89984T4	335
REC43-803741T03	803741T02	REC47-42038Q3	47-42038Q3	184	REC47-89984T4	47-89984T4	335
REC43-812944	812944	REC47-42038Q3	47-42038Q3	191-192-193	REC47-89984T4	47-89984T4	335
REC43-8129451	812945 1	REC47-42038Q3	47-42038Q3	184	REC47-89984T4	47-89984T4	335
REC43-822163T1	43-822163T1	REC47-42038Q3	47-42038Q3	191-192-193	REC47-89984T4	47-89984T4	335
REC43-822163T1	43-822163T1	REC47-42038Q3	47-42038Q3	184	REC47-89984T4	47-89984T4	335
REC43-822163T1	43-822163T1	REC47-42038Q3	47-42038Q3	191-192-193	REC47-89984T4	47-89984T4	335
REC43-828073A1	43-828073A1	REC47-42038Q3	47-42038Q3	184	REC47-89984T4	47-89984T4	335
REC43-859321A3	43-859321A3	REC47-42038Q3	47-42038Q3	191-192-193	REC47-89984T4	47-89984T4	335
REC43-878087A2	43-878087A2	REC47-42038Q3	47-42038Q3	184	REC47-89984T4	47-89984T4	335
REC43023	43023	REC47-42038Q3	47-42038Q3	191-192-193	REC47-89984T4	47-89984T4	335
REC43023-2	43023-2	REC47-42038Q3	47-42038Q3	184	REC47-89984T4	47-89984T4	335
REC43046	43046	REC47-42038Q3	47-42038Q3	191-192-193	REC47-89984T4	47-89984T4	335
REC43055A4	43055A4	REC47-42038Q3	47-42038Q3	184	REC47-89984T4	47-89984T4	335
REC43242-3	43242-3	REC47-42038Q3	47-42038Q3	191-192-193	REC47-89984T4	47-89984T4	335
REC43242-5	86210	REC47-42038Q3	47-42038Q3	184	REC47-89984T4	47-89984T4	335
REC43242-5	43242-5	REC47-42038Q3	47-42038Q3	191-192-193	REC47-89984T4	47-89984T4	335
REC43242-6	43242-6	REC47-42038Q3	47-42038Q3	184	REC47-89984T4	47-89984T4	335
REC43242-9	43242-9	REC47-42038Q3	47-42038Q3	191-192-193	REC47-89984T4	47-89984T4	335
REC44-12238T</							

REF	R.O. / OEM		REF	R.O. / OEM		REF	R.O. / OEM	
REC626-44365-01	26-80239M	323-325	REC664-45384-00	11-81619M	325	REC682-12414-A1	27-83940M	167
REC626-45316-09	23-82590M	323	REC664-45631-00	52-81644T	342	REC682-41114-00	27-83951M	169
REC629-803674	629-803674	248-270-271	REC664-45631-01	52-81644M	325	REC682-41133-A0	27-83955M	274
REC629-8036741	629-8036741	244-270-271	REC664-45987-00	12-81650M	325	REC682-44147-00	84019M	323
REC629-813047T01	629-813047T01	248-270-271	REC666K-13915-00	808504	79	REC682-44176-00	84020M	323
REC629-880855	629-880855	249-270	REC666K-13915-00	808504T1	79	REC682-44312-00	84023M	323
REC638-9002A6	838-9002A6	252-270	REC666M-46241-00	835392	211-272	REC682-44315-00	27-84024M	323
REC63P-13907-03	88089T01	85	REC666M-46241-00	57-835392Q	272	REC682-44322-00	84025M	181
REC63P-13907-03	880889T	85	REC666M-W0001-01	27-835427A00	208-235-237	REC682-44322-00	84025M	323
REC63P-45501-00	888696	313	REC666M-W0093-01	802706A1	92-101-103	REC682-44323-40	84026M	181
REC63P-45501-10	8886961	313	REC666N-11603-00	23-84445M	209-242	REC682-44323-40	842121M	323
REC63P-81950-00	881356001	132	REC666N-11603-00	17-92639M	329-333	REC682-44328-00	94624M	323
REC63P-81950-00	888320T	132	REC667-45997-00	23-84445M	107	REC682-44352-01	47-84027T	171
REC63P-81950-00		135	REC667-14186-00	22-83369M	105	REC682-44352-01	47-84027T	196
REC640-9612A7	9612A 6	249-270-271	REC667-14966-00	891730A01	106	REC682-44361-01	32-84028M	323
REC644-818141A2		271	REC667-14966-01	27-83338M	170	REC682-44361-10	32-84029M	323
REC646-14623-A1	27-43004-1	277	REC667-41112-A0	27-83383M	275	REC682-44365-00	26-84022M	345
REC646-44322-00	80393M	315	REC667-41133-A0	46-83396M	331	REC682-44365-00	84022M	323
REC646-44322-00	80394M	315	REC667-44311-00	27-83398M	331	REC682-45113-A0	27-96618	277
REC646-44352-01	47-80395M	171-196-315	REC667-44322-00	83403M	331	REC682-45113-A0	94622M	323
REC646-44365-00	26-80397M	315	REC667-44322-00	83400M	331	REC682-45376-01	52-84274M	342
REC646-44366-01	26-80398M	315	REC667-44324-A0	27-83399M	331	REC682-45631-00	84274M	323
REC646-45551-00	43-80405M	315	REC667-44361-00	32-83451M	331	REC682-45631-00	84274M	323
REC646-45560-00	43-80406M	315	REC667-44361-01	32-83452M	331	REC682-W0078-A1	46-84277M	185
REC646-818845T6	646-818846	271	REC667-45114-A1	27-19175	277	REC682-W0078-A1	46-84277T	185
REC646-818845T6	646-8188461	271	REC667-45127-00	83384M	275	REC682-W0078-A1	46-84277T	322
REC646-818845T6	818846T 6	252-253	REC667-45128-00	83386M	275	REC683-44362-01	32-94625M	323
REC646-818845T6		270-271	REC667-45251-00		199	REC683-44365-01	26-94626M	323
REC647-11610-00	39-80422M	247	REC667-45251-00AL		199	REC683-44373-00	84072M	323
REC647-11610-10	39-80423M	247	REC667-45635-00	83419M	329	REC683-45315-A0	27-84075	323
REC647-11610-20	39-80424M	247	REC667-11181-A0	27-95595M	247-254	REC683-45361-01-4D	84076T	323
REC647-14323-00	10-80573M	105	REC667-11412-02		247	REC683-45611-00	44-84078M	323
REC647-14385-00	80450M	105	REC667-11422-02		247	REC683-W0001-21	27-99049M	322
REC647-14386-10	17-80451M	107	REC667-11432-02		247	REC688-14548-00	17-97730M	107
REC647-44366-00	26-80532M	320-321	REC667-11442-02		247	REC688-45123-00	27-81440M	275
REC647-45316-09	23-80536M	321	REC667-11631-00K	761-8224M	247	REC688-45214-02	97091M	329
REC647-45551-00	43-82542M	321	REC667-11635-00K	761-8225M	247	REC688-45215-02	19167M	329
REC647-45560-00	43-80542M	321	REC667-11636-00K	761-8226M	247	REC688-45341-00	22-95632M	333
REC647-45570-00	43-80544M	321	REC667-14343-68	95495M	104	REC688-45341-00	95632M	311
REC647-45616-02	859931	319	REC667-24411-02	84262M	89	REC688-45635-00	81476M	333
REC647-822373A09		271	REC667-24435-01	27-84264M	89	REC688-45997-00	8539481	311
REC648-14385-00	80591M	106	REC667-24471-01	84265M	89	REC688-82575-01	87-97682M	150
REC648-24411-00	80606M	89	REC667-26301-02	95405M	107	REC688-11181-00	27-19138M	254
REC648-24434-01	27-80613M	90	REC667-41112-A0	27-95597M	247	REC689-11610-00	39-14235M	271
REC648-24435-02	27-80614M	90	REC667-45113-A0		247	REC689-11631-00K	761-8484M	271
REC648-45633-00	53-80678M	325	REC677-W0093-00	84473M	101-104-247	REC689-11651-00		271
REC648-45633-00	80678M	323	REC679-44150-00	83882M	331	REC689-41112-A0	27-96656M	170
REC648-45635-00	80680M	325	REC679-44150-10	83881M	331	REC689-41114-A0	27-84741M	170
REC648771	64877-1	168	REC679-44152-00	83883M	331	REC689-44311-00	46-95651M	325
REC650-11370-00	21-80727M	243-247-251	REC679-44316-A0	27-83865M	331	REC689-44315-A0	25-84054M	325
REC650-24351-51		72	REC679-44341-00	46-83864M	331	REC689-44316-A0	27-95656M	325
REC650-44147-00	82881M	331	REC679-45315-A1	27-95418M	329	REC689-44324-A0	27-41273M	325
REC650-45635-00	80923M	323	REC679-45321-02	95417M	329	REC689-44352-02	47-84797M	171
REC655-12414-A1	27-81031M	166	REC679-45331-00	83880M	329	REC689-44352-02	47-84797M	325
REC65848	65848	169	REC679-45331-00	45-83867M	331	REC689-44352-02		196
REC65L-24563-00	35-888289T2	77-82	REC679-45501-10	83868M	331	REC689-44366-00	26-84818M	325
REC65W-46241-00	831294	217-272	REC679-45536-00	43-83877M	329	REC689-45501-10	45-84801M	325
REC65W-46241-00	57-8M0065179	272-273	REC679-45560-00	43-83879M	329	REC689-45551-00	43-84806M	325
REC65W-46241-00	57-831294	221	REC679-45571-00	44-94531M	329	REC689-45560-00	43-84808M	325
REC65W-82575-01	87-97757M	150	REC679-45611-00	44-94531M	329	REC689-45560-00	43-84808M	325
REC65W-W0001-00	27-830270A98	214-235-237	REC679-W0078-A1	83463T	186	REC689-45571-00-00	43-84810M	325
REC662-44352-01	47-95611M	171-196-321	REC679-W0078-A1	84377T	219	REC689-45611-00	44-19124M	325
REC663-11193-00	27-81254M	262	REC67C-11181-01	27-834777	234	REC689-45997-00	84823M	325
REC663-11634-00	53-81264M	251-271	REC67C-11181-01	27-8M0118180	234	REC689-W0001-C2	27-41899M	325
REC663-12414-00	27-81266M	167	REC67C-11181-01		237-239	REC689-W0078-A6	42431M	185
REC663-12416-00		251	REC67C-11351-00	892319001	219-223-237	REC689-W0078-A6	95661T	185
REC663-14548-00	17-81278M	107	REC67C-11351-00	27-859352	237-238-239	REC689-W0078-A6		196-325
REC663-24411-00	84141M	89	REC67C-11356-00	25-854341	238	REC689-W0093-02	84456M	101-104
REC663-41114-00	27-81331M	170	REC67C-11603-00	39-893525A01	242	REC689-W4432-01	95652M	196-325
REC663-44144-01	81408M	333	REC67C-11603-00	893525A01	221-223	REC68F-83688-00	880885001	109-113-114
REC663-44151-00	81409M	333	REC67C-11603-00		217	REC68V-11325-01AL		225
REC663-44311-02	46-81416M	333	REC67C-41114-00	834775005	219	REC68V-11351-00	8587321	225
REC663-44311-02	46-81422M	333	REC67C-W0001-01	27-859352A02	219-235-237	REC68V-11351-00	27-8587321	237
REC663-44315-A0	27-81417M	333	REC67F-11181-03	8041151	225	REC68V-12111-00	804128T	238-239
REC663-44316-A0	27-81418M	333	REC67F-11181-03	27-8041151	234	REC68V-13915-00	35-881323T	79-88
REC663-44322-00	81419M	181-196-333	REC67F-11181-03		238-239	REC68V-14984-00	27-881325	87-88-97
REC663-44323-00	81420M	181-333	REC67F-11328-00	804086	225-233	REC68V-24410-00	880890A02	84
REC663-44324-00	27-81421M	333	REC67F-11416-00	804101T	225	REC68V-24410-00	880890T1	84
REC663-44366-00	26-81426M	331-333	REC67F-11416-10	804101T10	225	REC68V-24410-00	8M0091468	84
REC663-44366-00	81426M	313	REC67F-11416-20	804101T20	225	REC68V-24410-00		85
REC663-45123-00	27-81440M	275	REC67F-12411-01	8556761	225	REC68V-24563-00	881540	77-81-82
REC663-45331-00-94	81446M	333	REC67F-12411-01	8556761	233	REC68V-81950-00	881350T	134-135
REC663-45375-00	81448M	331	REC67F-12411-01	8M0117413	163	REC68V-82380-00	880885T	110-114
REC663-45376-00	81449M	331	REC67F-12411-01		164-165	REC68V-85885-00	880884T	109-114
REC663-45510-01	45-81451M	333	REC67F-12411-01	804076	225	REC68V-8A360-00	880887T1	98-99
REC663-45552-00	12-81455M	329-333	REC67F-12411-01	804145	225-273	REC692-24410-00	43113M	84
REC663-45576-00	12-81461M	329	REC67F-12411-01	804278T	138	REC692-24410-00	43113T	84
REC663-45631-00	52-81473M	329-333	REC67F-12411-01	804278T1	138	REC695-85540-11	430775M	141
REC663-45633-00	52-81473M	329	REC67F-12411-01	804278T11	138	REC696-45113-00	27-16717M	259
REC663-45633-00	81474M	333	REC67F-12411-01	804278T11	138	REC696-85540-12	41305M	140
REC663-45634-00	81475M	329-333	REC67F-12411-01	339-804271T	118	REC696-W0093-00	84419M	102-104
REC663-45987-00	73345	333	REC67F-W0001-00	27-804345A02	225	REC697-45114-00	7-98952M	277

REF	R.O. / OEM	REF	R.O. / OEM	REF	R.O. / OEM			
REC69J-11351-11	887810010	233	REC6E9-12414-A1	165	REC6P2-41122-00	887861	233	
REC69J-11351-11	27-887810011	237	REC6E9-41114-A0	170	REC6P2-41122-00	887861001	233	
REC69J-11351-11		238-240	REC6E9-W0093-02	17068M	102-104	REC6P2-W0001-01	27-887810A04	233-236-238
REC69J-12119-00	887870	233	REC6E9-W0093-03	97667M	102-104	REC6R3-85570-01	339-898103T	117-119
REC69J-13761-00	888212	98-99	REC6F5-11181-A2	27-11745M	251	REC705-850026T1K	705-850026A3	268
REC69J-13906-00	888227	97	REC6F5-11412-11	851997M	251	REC705-850026T1K	850026T 1	249
REC69J-13907-03	888246T	86	REC6F5-11422-11	827142M	251	REC705-850026T1K		270
REC69J-13907-03	888246T01	86	REC6F5-11432-11	827143M	251	REC705-850026T3	705-850026A3	271
REC69J-13907-03		88	REC6F5-11442-11	827144M	251	REC70720		76
REC69J-15451-00	887825	233	REC6F5-11515-00	13301M	251	REC70977T	70977	181-192-317
REC69J-24410-02	888251T	86	REC6F5-11610-00	39-11768T	251	REC8M0142688		114-115-301-303-327-344-352
REC69J-24410-02	888251T02	86	REC6F5-11610-10	39-11769M	251	REC73345A1	73345A1	164-166-164-166-164-166-303-305-327
REC69J-24410-02		88	REC6F5-11610-20	39-11770T	251	REC75692A6	75692A6	164-166
REC69J-24501-10	35-888279	78-82	REC6F5-11633-00	41-11771T	251	REC75692A7	75692A7	164-166
REC69J-24502-00	35-888279001	78-81	REC6F5-11651-00	629-9486T	251	REC75692Q2	75692Q2	164-166
REC69J-41134-A0	27-888658	277	REC6F5-11681-00	17-13302T	251	REC76039-4	76039-4	303-305-327
REC69J-41138-00	26-888660	277	REC6F5-12411-03	75692	162-251	REC7621405		199
REC69J-45361-00-8D	888708	311	REC6F5-12411-03	814554T01	162-251	REC7621405AL		69-70-199
REC69J-45375-00	8886653	311	REC6F5-12411-03		164	REC765-7441T32	765-7441T32	268-270
REC69J-45611-00	888699	311	REC6F5-15396-01-5B	815118M	251	REC765-7441T36	765-7441T36	268-270
REC69J-45631-00	888702	311	REC6F5-41111-01-1S	11753M	251	REC765-7442T32	765-7442T32	268-270
REC69J-46241-00	887883	233	REC6F5-41112-A0	27-11754	251	REC765-7442T36	765-7442T36	268-270
REC69J-46241-00		273	REC6F5-41113-A0-1S	11755M	251	REC765-7445A12	765-7445A12	268-270
REC69J-81960-13	888315A1	139	REC6F5-41114-A0	27-11756	251	REC765-7445T11	765-7445T11	268-270
REC69J-81960-13	8M0057158	139	REC6F5-44352-00	47-99971M	171-331	REC765-7446A11	765-7446A11	268-270
REC69J-85885-00	888204T	109-114	REC6F5-45113-A0	27-11885	251-258	REC765-7446T12	765-7446T12	268-270
REC69J-W0001-20-00	27-888658A04	175-190-313	REC6F5-85540-22	11737T	141	REC766-8666741	766-8666741	269-270
REC69K-45611-00	88869910	311	REC6F6-11111-00-1S	968-9325M	251	REC774-9137A11	774-9137A11	269
REC6A0-14325-00	10-41889M	105	REC6F6-11191-00-1S	11747M	251	REC774-9137A11	774-9137A11	252
REC6A0-82550-01	87-93102M	150	REC6F6-11193-A1	27-114749M	251	REC777-815965A4	777-815965A4	269-270-271
REC6A1-44361-00	32-80396M	315	REC6F6-11400-02	463-9327M	251	REC777-9009A7	777-9009A7	269-271
REC6A1-W0001-23	27-813500M	315	REC6F6-11631-00K	761-9329T	251	REC777-9009T13	774-9009A13	252-269-270-271
REC6A1-W0078-01	814453M	184	REC6F6-11635-00K		251	REC779-803677	779-803677	248-270-271
REC6A1-W0078-01	81445M	315	REC6F6-11636-00K	761-9331T	251	REC779-803677T02	779-803677002	248-270-271
REC6A1-W0093-01	92520M	100-104	REC6F6-W0093-00	11810M	102	REC779-804886	779-804886	244-270-271
REC6AH-12411-00	825212T02	68-205	REC6F6-W0093-00	11810T	102	REC779-879194T01	779-879194T01	248-270-271
REC6C5-13915-00	35-881323001	78-87-88	REC6G1-11193-A1	27-11454M	169-245	REC779-96152	779-96152	249-270-271
REC6C5-14984-00	27-881325001	97	REC6G1-11610-00	39-11462M	243	REC779-9615T	779-9615T	244-270-271
REC6C5-24251-00	35-892758001	77-81	REC6G1-11633-00	41-95601M	243-247	REC780-9229A7	780-9229A7	268-271
REC6C5-85885-00	880884001	109-113-114	REC6G1-11681-00	17-14193M	243-245-247	REC783-9613A1K	783-9613A1	271
REC6D8-11603-10	804107T1	225	REC6G1-14546-00	11490M	104	REC783-9613A1K	783-9613T1	268-270-271
REC6D8-11604-10	804108T1	225	REC6G1-14985-00	11489M	105	REC783-9613T3	783-9613T3	268-271
REC6D8-13761-00	880887T02	98-99	REC6G1-24411-00	11499M	89	REC785-9737T9	785-9737T9	269-270
REC6D8-WS24A-00	35-8M0101436	78	REC6G1-24431-01	27-11500M	89	REC785-9738T9	785-9738T9	269-270
REC6D8-WS24A-00	35-8M0117705	78	REC6G1-24471-00	11497M	89	REC803034T	823034T	140-147
REC6D8-WS24A-00		81-82	REC6G1-41112-A1	27-11456M	169-245	REC803061T1	803061T1	164-166
REC6E0-11193-A1	27-9991M	243	REC6G1-41114-A0	27-11456M	245	REC803529T06	803529T06	84
REC6E0-11631-00-98K	761-8256M	243-270	REC6G1-41133-A0	27-11568M	274	REC803529T06	803529T06	84
REC6E0-11651-01	629-9492M	243-247-270	REC6G1-44315-A0	27-11591M	320	REC803529T06	803529T06	84
REC6E0-24411-00	91753M	89	REC6G1-44322-00	11589M	320	REC803529T06	803529T06	84
REC6E0-24434-00	27-91754M	89	REC6G1-44323-00	11592M	320	REC803673	803673	248
REC6E0-24435-00	27-91746M	89	REC6G1-44328-00	11593M	320	REC803702	803702T	116
REC6E0-24471-00	91748M	89	REC6G1-44352-00	47-11590M	171-196-320	REC803704	803704T	140
REC6E0-26301-01	11921M	107	REC6G1-45113-A1	11560M	258	REC803751	803751	297-298
REC6E0-41112-A1	27-99995M	169-243	REC6G1-45113-A1	27-11560M	245	REC803753	803753	180
REC6E0-41114-A1	21-41279M	169	REC6G1-45315-A0	27-11574M	320	REC803753	803753	297
REC6E0-41114-A1	27-99993M	243	REC6G1-45611-01	44-11599M	320	REC803753	803753	68
REC6E0-41114-A1	99993M	169	REC6G1-45631-00	52-11597M	320	REC803844T01	339-803844T01	116
REC6E0-44322-02	96302M	319	REC6G1-81970-62	810937M	138	REC804295T	804295T	110-113-114
REC6E0-44352-00	47-96305M	171-196-319	REC6G1-81970-62	810937T	138	REC807929A1	807929A1	179-196-337
REC6E0-45113-A1	27-91780	243	REC6G1-81970-62	8M0091976	138	REC809569	809569	92-93-106
REC6E0-45113-A1	27-91780M	258	REC6G1-W0001-C1	11655M	320	REC809570-1	809570-1	93-105
REC6E0-45316-00	23-95476M	319	REC6G1-W0078-A1	11656M	184-320	REC8107492	810749-2	95-96-103
REC6E0-45317-00	23-95477M	319	REC6G1-W0078-A1	11656T	184	REC8107493	810749-3	95-96-103
REC6E0-45511-01	45-96307M	319	REC6G1-W0093-00	11502M	100-104-245	REC812887002	812887-1	168
REC6E0-45511-11	45-96308M	319	REC6G5-44323-00	888691	199	REC812929-1	812929-1	303
REC6E0-45551-00	43-96310M	319	REC6G5-45251-02		199	REC813046002	813046002	244
REC6E0-45560-00	43-96312M	319	REC6G5-45251-02AL		199	REC8130461	8130461	248
REC6E0-45570-00	43-96316M	319	REC6G5-W0078-A1	888687A1	188-190	REC813932	27-813932-2	259
REC6E0-45611-01	44-96314M	319	REC6G8-11181-A1	27-8254821	205	REC814080001	814080001	226
REC6E0-45631-00	52-96313M	319	REC6G8-11181-A1	27-8254821	234	REC815113T02	16064	116
REC6E0-W0001-C1	27-96324M	319	REC6G8-11181-A1		237	REC815113T02	16064A1	116
REC6E0-W0078-A2	96325T	319	REC6G8-11325-00		199	REC815113T02	815113T02	116
REC6E5-12411-02	11919M	162-245	REC6G8-11325-00AL		199	REC815279A2	815279A2	139
REC6E5-12411-02	83282M	243	REC6G8-11351-A0	27-825847	205-236-237	REC815279A2	12082A1	139
REC6E5-12411-02		164	REC6G8-12414-A0	27-825701	205	REC815279A2	12082A7	139
REC6E5-14386-01	17-11794M	107	REC6G8-13440-00	35-825467A1	80	REC815279A2	12082A8	139
REC6E5-24351-51		72	REC6G8-13440-00	35-825467T02	80	REC815279A2	815279A2	139
REC6E5-44312-00	888688	313	REC6G8-13440-00	35-825467T1	80	REC81554	858452-1	261
REC6E5-44315-A0	888692	313	REC6G8-13440-00	35-825467T2	80	REC816597A1	816597A1	345
REC6E5-44352-01	888689	173-313	REC6G8-41112-02	27-825693	205	REC817275A08	817275A08	187-189-191
REC6E5-44365-00	8886652	313	REC6G8-W0001-A3	27-825847A95	205-235-237	REC817275A09	817275A09	187
REC6E5-44366-00	8886651	313	REC6G9-85540-29	825667	140	REC817275A09	817275A09	307
REC6E5-45344-00	888695	313	REC6G9-85540-29	825667T	140	REC817275A1	817275A1	180-196-307-309
REC6E5-45631-00	52-96313M	342	REC6H1-45668-00	888704	311			
REC6E7-11181-00	27-18937M	254	REC6H1-W0093-01-00	84475M	102-104			
REC6E7-11631-00K	761-7982M-T	271	REC6H3-14590-00	17050M	104			
REC6E7-14385-00	14180M	105	REC6H3-44352-00	47-81423M	171			
REC6E7-44366-00	26-99031M	323	REC6H3-44352-00	47-82824M	333			
REC6E7-45331-00-CA	8M0057163	323	REC6H3-44352-00	47-97108M	171			
REC6E7-45501-00	45-99032M	323	REC6H3-44352-00		196			
REC6E7-45501-11	45-99033M	323	REC6H4-14985-01	804184	94-106			
REC6E7-45536-00	23-99035M	323	REC6H9-45551-01	43-86869M	243			
REC6E7-45551-00	99041M	322	REC6J1-11610-00	39-14197M	243			
REC6E7-45560-01	43-99043T	323	REC6L5-44352-00		171			
REC6E7-45570-00	43-99044T	323	REC6NO-G5551-00	43-11579M	320			
REC6E7-45987-00	12-815025M	323	REC6NO-G5560-00	43-11595M	320			
REC6E7-85570-19	95188T	116	REC6NO-G5571-00	43-11647M	320			
REC6E7-W0093-01	814481M	101-104	REC6P2-11193-00	887853	233			
REC6E8-14390-12	14216M	104	REC6P2-11194-00	887855	233			
REC6E9-11193-A0	27-97704M	262	REC6P2-11318-00	887805	233			
REC6E9-12413-00-1S	19255M	165-251	REC6P2-41114-00	887862	233			
REC6E9-12414-A1	27-814555M	167	REC6P2-41114-00	887862001	233			
REC6E9-12414-A1	27-97706M	251						

REF	R.O. / OEM		REF	R.O. / OEM		REF	R.O. / OEM
REC817275A2	817275A2	180-191-194-195-305	REC8542561	854256 1	101-103-214-219-109-113-114	REC883202T02	
REC817275A6	817275A6	188-196-336	REC854445	854445	142	REC887825	27-887825
REC817275Q05	817275A5	188	REC854512T	834520T	142	REC888590002	888590
REC8172761	8172761	309	REC854512T	854512T	142	REC888590002	888590002
REC8172761	817276-1	181-305-307-337	REC854512T	855745A12	142	REC888733T02	888733T02
REC8172761		191-194-195-196	REC854513T	834821T	143	REC888733T1	888733T1
REC818298Q1		199	REC854513T	854513T	143	REC89-818864T	89-818864T
REC818298Q1AL		69-70-199	REC854513T	855748A2	143	REC89-825096T01	89-825096T01
REC818349T1	818349A1	346	REC85552001	85552001	148	REC89-825096T01	89-825096T01
REC818349T1	818349T1	337	REC855676002	855676002	295	REC89-96054T	89-96054
REC818574	818574	261	REC855676002	855676002	69-162-164-207-213	REC89031A1	89031A1
REC818763A10	818763A11/T11	337	REC855686		74	REC89031A2	89031A2
REC819113	27-819113	279	REC855713A3	855713A3	140	REC89031A3	89031A3
REC819114	27-819114	279	REC855713A3	855713A4	140	REC89031A4	89031A4
REC8213161	8213161	301	REC856542	27-856542-1	280	REC891663001	891663
REC8213542	821354-2	181-191-193-194-301	REC858498	858498	295-353-354	REC891663001	891663001
REC821354A04	821354A04	186-188-301	REC858763	858763	71	REC892123002	877826
REC821354A2	821354A2	185-191-193-194-301	REC8597721	859772-1	238	REC892123002	892123001
REC821526001	821526	337	REC861155A3	861155A2	86	REC892123002	892123002
REC821526001	821526001	307	REC861155A3	861155A3	86	REC892318	57-892318
REC821889A50	821889A9, A22, A29, A34, A38, A40, A42, A46, A50, A51	149	REC8612882-1	8612882-1	167	REC892318	8M0012623
REC8219321	821932-1	293	REC86596T	86596T	167	REC892318	8M0026410
REC822157T2		199	REC866169T01	866169T01	87-88	REC892320	27-892320
REC822157T2AL		199	REC86617A20	86617A2-A3-A5-A9-A11-A13-A17-A20	144-147	REC892864T04	892864T04
REC822158	822158	301	REC86976	50-86996T	129	REC892864T06	892864T06
REC8235471	823547-1	301	REC86976	50-86976	129	REC892864T06	8M0090819
REC823547A2	823547A2	174	REC87-18211	87-18211	133	REC893404	
REC823547A2	82547A2	301	REC87-18286A43	87-18286A43	159	REC893404AL	
REC823547A2	82547A2	176	REC87-18286A43	87-18286A26	159	REC893404T01	854515T2
REC823700	27-823700-2	259	REC87-18286A43	87-18286A43	159	REC893640T01	8307272
REC824145	824145	337	REC87-19674A1	87-19674A1	150	REC893640T01	893640T01/T1
REC8245191	8245191	309	REC87-823609A17	87-823609A17	150	REC893640T01	
REC8245191	824519-1	307-335-337	REC87-858679T2	87-858679T2	159	REC893857	859770-1
REC825212T02	855676003	162	REC87-859032T02	87-859032T02	159	REC893929A01	811618
REC825212T02	825212A1	162	REC87-897716K01	87-897716	131	REC893929A01	811618A1
REC825212T02	855676A1	162	REC87-897716K01	87-897716K01	131	REC893929A01	812843A1
REC825212T02		69-164	REC87-91941A8	87-91941A8	158	REC893929A01	813442A1
REC8252711		199	REC87-91941A8	87-91941A8	158	REC893929A01	813442A2
REC8252711AL		199	REC875208		68-199	REC893929A01	893929A01
REC826134Q		69-70-199-303	REC875208AL		199	REC893929A01	96660A1
REC826134QAL	826134Q	303	REC877805T	877805T	112-113	REC895338	895338
REC826549	27-826549	259	REC878265A6	878265A6	151	REC895338	895338
REC826729A10	826729A/08	152	REC878265A6	878265A6	151	REC895338	895338
REC826729A10	826729A4	152	REC878408A1	878408A1	153	REC89594A1	89594A1
REC826729A10	826729A4/07	152	REC879147T62	879147T62	138	REC896688001	896688001
REC826729A10	99186-1	152	REC879147T96	803744T03	297	REC897526T	897526T
REC826729A10	99186T	152	REC880596T55	880596T55	85	REC898101371	898101371
REC826729A10K	818186A6	153	REC880596T55	880596T55	86	REC898101T67	898101T67
REC826729A10K	826729A07	153	REC880596T55	881705T1	87-88-89	REC899106T01	808505T
REC826729A10K	826729A08	153	REC880596T58	880596T58	85-87-88-89	REC899106T01	827682T
REC826729A10K	826729A09	153	REC880596T60	880596T60	87-88	REC899106T01	892874T01
REC826729A10K	826729A4	153	REC881170A11	881170A11	156	REC899106T01	899106T01
REC826729A10K	826729AA 10	153	REC881170A12	881170A12	156	REC89983230	89983230
REC826738	27-826738	275	REC881170A13	881170A13	157	REC89983230	339-7452 A2, A3
REC827365	827365	169	REC881170A14	881170A14	157	REC89983230	
REC827509A10	827509A10,T7	119	REC881170A15	16900A15	155	REC8M0000822	828553
REC827675A1	827675A1	151	REC881170A15	881170A15	155	REC8M0005405	8M0005405
REC827955A2	827955A 2	249	REC881170A15	881170A15	155	REC8M0005777	12-858234
REC827955A2	827955A2	267	REC881170A16	881170A16	157	REC8M0007131	888909A1
REC828507Q4	57-828507Q4	137	REC881170A20	16900A20	157	REC8M0007131	888909A1
REC833072003	833072003	70-163	REC881170A20	881170A20	157	REC8M0007131	
REC833072004	833072004	70-163	REC881170A3	16901A15	155	REC8M0011987	880609
REC84-813706A26	84-813706A26	125	REC881170A3	16902A15	155	REC8M0011987	8M0011987
REC84-813706A26	84-99215A26	125	REC881170A3	881170A3	155	REC8M0011987	
REC84-813715A8		125	REC881170A7	16907A15	156	REC8M0021043	8M0021043
REC84-881908T3	84-881908T	125	REC881170A7	881170A7	156	REC8M0032834	28-56654
REC84-881908T4	84-881908T	125	REC881170A7	881170A7	111	REC8M0032837	28-56662
REC847525	27-847525-1	280	REC881170A7	881170A7	111	REC8M0032837	28-8M0032837
REC850055001	850055	163	REC881170A7	881170A7	111	REC8M0032837	8M0032837
REC850055001	850055001	163	REC881170A7	881170A7	111	REC8M0036238	8M0036238
REC850055001		164	REC881170A7	881170A7	111	REC8M0041571	892811T02
REC850055A2	850055A2	164-166	REC881170A7	881170A7	111	REC8M0041571	8M0041571
REC850307	850307	305	REC881170A7	881170A7	111	REC8M0041571	8M0041571
REC850315A1	850315A1	305	REC881170A7	881170A7	111	REC8M0045124	8M0045124
REC85083	85083	180-191-193-295	REC881170A7	881170A7	111	REC8M0045124	
REC85094	85094	295	REC881170A7	881170A7	111	REC8M0045278	27-857081
REC853762	853762	69-199-299	REC881170A7	881170A7	111	REC8M0045278	27-8M0045278
REC853762AL		199	REC881170A7	881170A7	111	REC8M0045278	8M0118179
REC853762T01		68-199	REC881170A7	881170A7	111	REC8M0045278	
REC853762T01AL		199	REC881170A7	881170A7	111	REC8M0046297	8M0046297
REC853792T01	853792A1	185	REC881170A7	881170A7	111	REC8M0046297	8558432
REC853792T01	853792T01	185	REC881170A7	881170A7	111	REC8M0046297	8558432
REC853792T01	853792T01	299	REC881170A7	881170A7	111	REC8M0046297	8M0047324
REC853792T01		69-188	REC881170A7	881170A7	111	REC8M0046297	8M0047324
REC853811T10	853811T10	138	REC881170A7	881170A7	111	REC8M0046297	8M0053823
REC853811T10	898103T14	138	REC881170A7	881170A7	111	REC8M0046297	8M0053823
REC853906A1	853906A1	305	REC881170A7	881170A7	111	REC8M0046297	8M0053823
REC853908A1	853908A1	305	REC881170A7	881170A7	111	REC8M0046297	8M0053823
REC853960T	853960T	142	REC881170A7	881170A7	111	REC8M0046297	8M0053823
REC853960T	855747A1	142	REC881170A7	881170A7	111	REC8M0046297	8M0053823
REC853960T		147	REC881170A7	881170A7	111	REC8M0046297	8M0053823
			REC882751A04	821509	133	REC8M0046297	8M0053823
			REC882751A04	821509T01	133	REC8M0046297	8M0053823
			REC882751A04	822751A04	134	REC8M0046297	8M0053823
			REC882751A04		135-136	REC8M0046297	8M0053823
			REC882751A1	828151	133	REC8M0046297	8M0053823
			REC882751A1	828151A1	133	REC8M0046297	8M0053823
			REC882751A1	8282751A1	133	REC8M0046297	8M0053823
			REC882751A1	8282751A2	133	REC8M0046297	8M0053823
			REC882751A1		134-135	REC8M0046297	8M0053823
			REC883072T	817411	136	REC8M0046297	8M0053823
			REC883072T	815279A1-2-3	139	REC8M0046297	8M0053823
			REC883072T	815279T-2-4-5	139	REC8M0046297	8M0053823
			REC883072T	81579-1-2-3-4-5	139	REC8M0046297	8M0053823
			REC883072T	830179-2	139	REC8M0046297	8M0053823
			REC883072T	830179A1-2-3	139	REC8M0046297	8M0053823
			REC883072T	830179T	139	REC8M0046297	8M0053823
			REC883072T	854515T1	139	REC8M0046297	8M0053823
			REC883072T		139-147-148-149	REC8M0046297	8M0053823
			REC883202T02	883202A02	85	REC8M0046297	8M0053823
			REC883202T02	883202T02	85	REC8M0046297	8M0053823

REF	R.O. / OEM	REF	R.O. / OEM	REF	R.O. / OEM
REC8M0080349	8M0080349	REC90170-16M19	8813141	REC93101-11M23	26-11464M 320
REC8M0080357	8M0080357	REC90171-14013-00	11-81774M	REC93101-13M12	26-96317M 319
REC8M0082988	828358	REC90171-16011	11-81775M	REC93101-14M01	26-82165M 247
REC8M0082988	828358	REC90171-18M04	887973	REC93101-15074	26-82226M 320-321
REC8M0082988	828358	REC90179-08M06	99042M	REC93101-17054	26-8540171 323
REC8M0082988	8M0030022	REC90179-09M02	11-84807M	REC93101-18050	26-82228M 321
REC8M0082988	8M0082988	REC90183-02M03	8813142	REC93101-20048	26-82229M 323
REC8M0082988		REC90201-02M00	8043051	REC93101-20M07	26-84813M 325
		REC90201-12565	12-81816M	REC93101-20M29	26-18843M 243-247
		REC90201-16M00	88838012	REC93101-20M34	23-81841M 245
		REC90201-17682	12-94627M	REC93101-22067	26-82233M 325-333
REC8M0088080	8M0088080	REC90201-20417	12-81831M	REC93101-22067	26-83406M 329-331
		REC90201-22429	12-81837M	REC93101-23070	26-82234M 333
REC8M0088081	8M0088081	REC90201-22M01	8883632	REC93101-28M16	888694 313
REC8M0089940	8M0089940	REC90201-31M00	8043052	REC93101-30M17	8886941 190-311
REC8M0089940	8M0142591	REC90206-22M19	8556822	REC93101-30M33	26-11758M 251
REC892864T06		REC90209-18112	12-84620M	REC93102-20M25	26-14195M 245-247
REC8M0091784	898101T74			REC93102-35M18	26-11731M 251
REC8M0091784	8M0091784	REC90209-27M07	12-13305M	REC93102-38008	804144 225-233
REC8M0092849	86352	REC90214-48M03	14-81877M	REC93102-48009	8040992 225-239
REC8M0092849	15920A54	REC90250-03M10	17-81896M	REC93102-63004	887830 233-240
REC8M0092849	86352A48	REC90250-05010	17-81899M	REC93103-10052	26-82250M 315
REC8M0092849	86352A54	REC90250-05036	17-81901M	REC93103-11051	26-82251M 315
REC8M0092849	8M0092849	REC90250-05046	17-81902M	REC93104-16M01	26-189721 251
REC8M0092849	8M0092850	REC90250-06023	17-81903M	REC93106-09014	26-82257M 333
REC8M0092849	821400A2			REC93106-09014	82257M 313
REC8M0098264	8M0075845	REC90280-03024	28-81912M	REC93210-19MJ1	858581 233
REC8M0098264	8M0098264	REC90280-04M00	28-83444M	REC93210-22M02	25-83348M 251
REC8M0103288	8M0103288	REC90280-04M05	8813421	REC93210-25552	887812 233
REC8M0103289	8M0103289			REC93210-25552	25-887812 238
REC8M0117413	8M0117413	REC90282-04010	28-81916M	REC93210-37160	8814371 313
REC8M0125617	881070T	REC90301-ZW1-003	11-52407Q1	REC93210-41042	25-82275M 331-333
REC8M0125617	8M0125617	REC90301-ZW1-003	11-52707	REC93210-42101	25-14175M 315
REC8M0125617		REC90301-ZW1-003	11-827614	REC93210-42159	25-82276M 247
REC8M0133642	8M0088351			REC93210-42159	26-94663M 245
REC8M0133642	8M0133642	REC90340-08002	953683	REC93210-42M70	25-95602M 247
REC8M0133642				REC93210-48214	25-82280M 319
REC8M0134459	8M0134459			REC93210-49046	25-82281M 320-333
REC8M0134464	8M0134464	REC90340-08002	22-81924M	REC93210-53M08	8814372 313
REC8M0134472	8M0134472			REC93210-54534	25-11451M 245
REC8M0134477	8M0134477	REC90340-08002	22-8M0083059	REC93210-54M54	25-84089M 323
REC8M0134492	8M0134492	REC90340-08002	22-95368 3	REC93210-57M09	25-15377M 321
REC8M0134493	8M0134493	REC90340-08002	81924M	REC93210-58677	8255791 313
REC8M0135805	8M0135805	REC90340-08002	95368 3	REC93210-65752-00	25-11759M 251
REC8M0139434	8M0139434	REC90340-08002	90363A1	REC93210-65M50	25-82289M 329-333
REC8M0142542	8M0010146	REC90340-08002	12-83700M	REC93210-86M38	8255792 313
REC8M0142542		REC90340-08002	95610	REC93211-04384	8814373 311
REC8M0142688	71-8M0142688	REC90430-06M03	27-95610	REC93224A1	46-93224A1 179
REC8M0142690	8M0142690	REC90430-06M03	27-95610M	REC93224A1	93224A1 317
REC8M0143219	826729T2	REC90430-08020	81987	REC93224A1	192
REC8M0143219	855998A3, 05, 07, 08, 09, 10, 11	REC90430-08020	95220	REC93306-00501	30-8528001 323
REC8M0143219	855998T1	REC90430-08020	27-81987	REC93306-00519	30-8528001 321
REC8M0143219	862729A2, 6	REC90430-08020	27-81987M	REC93306-00612	30-82295M 325
REC8M0143219	8M0143219	REC90430-08020	27-95220	REC93306-00702	30-82296M 329-333
REC8M0144930	17065A1	REC90430-08020	27-95610M	REC93306-204U0	30-18859M 243-247
REC8M0144930	84-816492A1	REC90430-08020	27-95610M	REC93306-204U0	30-82299M 245
REC8M0144930	84-8M0144930	REC90430-12072	25-81989M	REC93306-210U0	8886814 311
REC8M0144930	84-8M3001068	REC90480-18065	804082	REC93306-306V1	30-11767T 251
REC8M0148668	885342001	REC90480-20M05	8887031	REC93306-307U0	30-11766T 251
REC8M0148668	885342002	REC90501-10M77	8266901	REC93310-112V0	31-91721M 243-245
REC8M0148668	8M0148668	REC90501-11M10-00		REC93310-418U0	31-94769M 247
REC8M0148668		REC90501-14M02		REC93310-418V1	243-245
REC8M0151044	887774	REC90501-16233	24-82091M	REC93310-624U5	271
REC8M0151044	893855	REC90501-16M01	24-83429M	REC93310-727V7	29-13304M 251
REC8M0151044	8M0109700	REC90501-16M11	804081	REC93311-83280	888681 311
REC8M0151044	8M0151044	REC90508-ZW1-003	14-31210	REC93315-017U4	29-84803M 325
REC8M0162139	8M0137816	REC90508-ZW1-003	14-816629	REC93315-22004	31-82315M 325
REC8M0162139	8M0162139	REC90508-ZW1-003	14-816629Q	REC93315-317U2	31-84086M 323
REC8M0162139		REC90508-ZW1-003		REC93315-32224	31-82316M 331-333
REC8M2011027	79448	REC90794-46866		REC93315-43061	8886815 311
REC8M2011027	8M2000347	REC90794-46868		REC93317-22024	31-82317M 329-333
REC8M6000359	880596504	REC908855	26-20070	REC93317-330U2	8886812 313
REC8M6000359	880596522	REC90890-06820	90890-06820	REC93332-00001	31-82319M 333
REC8M6000359	880596524	REC90890-06820	91-83164M	REC93332-00003	31-82320M 329-333
REC8M6000359	8M0007943	REC91-00001		REC93332-00005	31-82321M 325
REC8M6000359	8M6000359	REC91-00002		REC93332-00005	31-82321T 323
REC8M6000359		REC91-12037	91-12037	REC93332-00048	8886819 311
REC8M6000623		REC91-31107T	91-31107T	REC93332-000U6	31-13300T 251
REC8M6000623		REC91-31229	91-31229	REC93332-000W1	8886811 311
REC8M6000634	889659002	REC91-34569A1	91-34569A1	REC93341-214U1	31-99030M 322
REC8M6000634	897447002	REC91-36569T	91-36569T	REC93341-93020	8886813 313
REC8M6000634	8M6000634	REC91-37241		REC93440-68M03	53-11760M 251
REC8M6000634		REC91-43506T	91-43506T	REC93450-13022	53-82342M 243-245-247
REC8M6000637	8M0010469	REC91-56048001	91-56048001	REC93450-15023	271
REC8M6000637	8M6000637	REC91-56775T	91-56775T	REC93501-04011	82346M 311
REC8M6000637		REC91-60523	91-60523	REC93602-14104	271
REC8M6000639	885548001	REC91-60526T	91-60526T	REC93602-20M02	271
REC8M6000639	885548002	REC91-61067A04	91-61067A04	REC93603-21111	29-82353M 251
REC8M6000639	8M0010248	REC91-61069T	91-61069T	REC93606-12019	17-82364M 323-331
REC8M6000639	8M6000639	REC91-61077T	91-61077T	REC93606-12019	18842M 243
REC8M6002428	8M0057686	REC91-859046Q3	91-859046Q3	REC93606-12019	82364M 233-313
REC8M6002428	8M6000652	REC91-859046Q4	91-821887T1	REC93606-12019	323
REC8M6002428	8M6002428	REC91-895343T02	91-895343T02	REC93608-12M05	8886631 311
REC8M6002428	8M6002428	REC91-895343T02	91-895343T02	REC93608-12M05	27-98185 262
REC8M6003194	878187	REC91490-30025	887974	REC951853	27-981853 262
REC8M6003194	8M6003194	REC91490-30025	18-82132M	REC96452A4	770002 143
REC8M6003194		REC91490-30025	18-82135M	REC96452A4	73372A1 143
REC8M6003194		REC91490-30040	18-82132M	REC96452A4	73410A1 143
REC8M6003194		REC91490-30040	18-82134M	REC96452A4	76681A1 143
REC90095		REC92990-16200		REC96452A4	96452A1-A4-A5 143
REC90101-06M56	10-84790M	REC92990-18200	887972	REC96452A4	147-148
REC90119-06M10	85277616	REC93101-10M14	26-91726M	REC96455A8	68162A3 143
REC90119-08M14	8814231	REC93101-10M25	26-95472M	REC96455A8	68162A6 143
REC90149-06M00	10-83392M			REC96455A8	96455A1 143
REC90170-12138	11-81772M			REC96455A8	96455A8 143

REF	R.O. / OEM	REF	R.O. / OEM	REF	R.O. / OEM
REC96455A8		SOL1311-121-09	48-87818A11	SOL9411-140-11	351
REC96455A9	681621, A5, A8	SOL1313-105-13	48-81670A40	SOL9431-130-19	351
REC96455A9	96455A4, A6, A9	SOL1313-105-14	48-81670A40	SOL9431-130-21	351
REC96455A9		SOL1313-108-12	48-81670A40	SOL9431-133-17	351
REC96455T18	96455A18	SOL1313-111-11	48-85632A40	SOL9431-135-15	351
REC96455T18	96455T18	SOL1313-118-09	48-87818A11	SOL9431-138-13	351
REC96455T18		SOL1411-130-19	48-77346A45	SOL9432-130-19	351
REC97-8M0137814AL	97-8M0137814	SOL1411-130-21	48-77348A45	SOL9432-133-17	351
REC97075-10040	10-82474M	SOL1411-133-17	48-77344A45	SOL9432-135-15	351
REC97095-06040	10-827043M	SOL1411-135-14	48-77341A45	SOL9432-138-13	351
REC97095-06045	10-92536M	SOL1411-135-15	48-77342A45	SOL9511-143-21	351
REC97095-08045	10-82468M	SOL1411-138-13	48-77340A45	SOL9511-145-19	351
REC97095-08055	10-84057M	SOL1411-140-11	48-77338A45	SOL9511-148-17	351
REC98-8M0135821	98-8M0135821	SOL1413-125-19	48-77344A45	SOL9511-150-15	351
		SOL1413-125-21	48-77346A45	SOL9511-153-13	351
		SOL1413-128-17	48-77342A45	SOL9511-155-11	351
REC983892	31-812767A1	SOL1413-130-15	48-77340A45	SOL9511-160-13	351
		SOL1413-133-13	48-77338A45	SOL9531-140-19	351
REC98450A10	98450A1-A3-A5-A10	SOL1431-130-19	48-16990A46	SOL9531-140-21	351
REC99001-06600	53-82331M	SOL1431-130-19	48-77346A45	SOL9531-140-23	351
REC99001-08600-00	53-82334M	SOL1431-130-21	48-16992A46	SOL9531-143-17	351
REC99001-08600-00	82334M	SOL1431-130-21	48-77348A45	SOL9531-145-15	351
REC99021A14	99021A11	SOL1431-133-17	48-16988A46	SOL9532-140-19	351
REC99021A14	99021A14	SOL1431-133-17	48-77344A45	SOL9532-140-21	351
REC99021A16	99021A3, A5, A8, A13, A15, A16	SOL1431-135-15	48-16986A46	SOL9532-140-23	351
REC99021A6	99021A2, A6, K2	SOL1431-135-15	48-77342A45	SOL9532-143-17	351
RECKOA-A3721-00	804136	SOL1431-138-13	48-17314A46	SOL9532-145-15	351
RECKOA-A3722-00	804137	SOL1431-138-13	48-77340A45	SOL9571-145-25	351
RECKITMER115		SOL1431-140-11	48-17312A46	SOL9571-148-23	351
RECKITMER15		SOL1431-140-11	48-77338A45	SOL9571-150-21	351
RECKITMER150		SOL1511-142-23	48-832834A45	SOL9571-153-19	351
RECKITMER2.5		SOL1511-143-21	48-832832A45	SOL9571-155-17	351
RECKITMER20		SOL1511-145-19	48-832830A45	SOL9571-158-15	351
RECKITMER209		SOL1511-148-17	48-832828A45	SOL9572-145-25	351
RECKITMER25		SOL1511-150-15	48-78116A45	SOL9572-148-23	351
RECKITMER3.4		SOL1511-153-19	48-13700A46	SOL9572-150-21	351
RECKITMER323		SOL1511-153-21	48-13702A46	SOL9572-153-19	351
RECKITMER4		SOL1511-155-17	48-18278A46	SOL9572-155-17	351
RECKITMER4.6		SOL1511-158-15	48-19838A46	SOL9572-158-15	351
RECKITMER40		SOL1512-142-23	48-832834A46	SOLRBX-102	350
RECKITMER50		SOL1512-143-21		SOLRBX-114	350
RECKITMEROP115		SOL1512-145-19		SOLRBX-124	350
RECKITMEROP225		SOL1512-148-17		STA93900	161
RECKITMERVERADO4		SOL1512-150-15		STA93922	161
RECKITMERVERADO6		SOL1512-153-19	48-13701A46	STA93932	161
RECKITMERVERADO6AL		SOL1512-153-19	48-13703A46	STA94100	161
RECKITMERVERADO6AL		SOL1512-155-17	48-90159A46		
RECMC00004	8M0100526	SOL1512-158-15	48-19841A46	TENO0800	31640
RECOBRACKET		SOL1513-140-21	48-832832A46	TENO0800AL	31640
RECOBELEMENT		SOL1513-140-21	48-834854A45	TENO0801	34127
RECOBFILALU		SOL1513-143-19	48-832830A45	TENO0802	94286
RECOBFILTER		SOL1513-143-19	48-834852A45	TENO0803	47820
RECYCS-225-15		SOL1513-145-17	48-832828A45	TENO0804	46399
RM15-92881A1	15-92881A1	SOL1513-145-17	48-834850A45	TENO0805	46396
RM27-880552A07	27-880552A07,A06	SOL1513-148-15	48-78116A45	TENO0808	34762
RM27-880552A07	27-880552A07/O6	SOL1542-150-19	48-13701A46	TENO0809	85824
RM27-880552A07		SOL1571-145-25		TENO0810	42121
RM27-896142A07	27-896142A06,A07	SOL1571-148-23	48-13704A46	TENO0811	9411
RM27-896142A07	27-896142A07/O6	SOL1571-150-21	48-13702A46	TENO0812	98432
RM27-8M0024565	896277006	SOL1571-153-19	48-13700A46	TENO0812	98432T6
RM27-8M0024565	27-8M0024565	SOL1571-155-17	48-18278A46	TENO0813	823912-1
RM27-8M0024565	8M0024565	SOL1572-148-23	48-13705A46	TENO0813	97-823912
RM27-8M0024565		SOL1572-150-21	48-13703A46	TENO0816	818298
RM27-8M0024565		SOL1572-153-19	48-13701A46	TENO0816AL	818298
RM27-8M0033476	27-895374006	SOL1572-155-17	48-90159A46	TENO0821	89949
RM27-8M0033476	8M0024564	SOL3211-099-09		TENO0822	825271
RM27-8M0033476		SOL3211-099-10		TENO0823	823912
RM35-802893Q	35-802893Q01	SOL3211-099-11		TENO0823	825271
RM35-8M0082911	35-897575T01	SOL3211-099-12		TENO0823	825271
RM35-8M0082911	35-897575T02	SOL3211-099-13		TENO0824	823913Q
RM35-8M0082911		SOL3231-101-13		TENO0824	823913Q
RM39-27841A12	39-2784112	SOL3231-103-12		TENO0824	823913Q
		SOL3231-105-11		TENO0825	818298
RM804540	804540	SOL3231-108-10		TENO0825AL	818298
		SOL5011-078-07		TENO0826	76214
		SOL5011-078-08		TENO0827	17264
RM817275A1	817275A1	SOL5011-078-09		TENO0827	17264T2
RM855676005	855676005	SOL5011-085-07	48-895180A10	TENO0829	822157
RM858732T02		SOL5011-085-08	48-895182A10	TENO0829	822157
RM91-31229A7	91-31229A7	SOL5011-085-09		TENO0829AL	822157T2
RM92-858026QB1U6	92-858026QB1	SOL5111-093-07		TENO0829AL	822157T2
RM92-858027QB1U3	92-858027QB1	SOL5111-093-08		TENO0830	822777
RM92-8M0086220U6	92-8M0086220	SOL5111-093-09		TENO0831	826887M
RM92-8M0086221U3	92-8M0086221	SOL5111-093-10		TENO0832	80653
		SOL5111-093-11		TENO0833	893404
		SOL5211-099-09		TENO0834	875208
SIE18-8004	98396A38	SOL5211-099-10		TENO0835	76214-4
SIE18-8005	98396A38	SOL5211-099-11		TENO0837	8M0012083
SIE18-8013		SOL5211-099-12		TENO0838	847635001
SIE18-8015		SOL5211-099-13		TENO0839	853762
SOL0001-073-06P	815083	SOL9311-110-15		TENO0840	8239121
SOL0001-073-06P	48-815083	SOL9311-111-13		TENO0841	804043
SOL0001-073-06P	815083A01	SOL9311-111-14		TENO0842	8M0057772
SOL1111-093-07	48-828152A12	SOL9311-111-14		TENO0842AL	8M0057772
SOL1111-093-08	48-828154A12	SOL9311-114-12		TENO0843AL	879150A65
SOL1111-093-09	48-828156A12	SOL9311-116-11		TENO1101	83859M
SOL1111-093-10	48-828158A12	SOL9311-120-10		TENO1108	
SOL1111-093-11		SOL9311-121-09		TENO1116	811990M
SOL1211-100-14	48-19642A40	SOL9331-110-15		TENO1118	97-14205M
SOL1211-101-13	48-19640A40	SOL9331-111-13		TENO1121	84732M
SOL1211-103-12	48-19639A40	SOL9331-111-14		TENO1127	83394M
SOL1211-105-11	48-19638A40	SOL9331-114-12		TENO1166	83330M
SOL1211-110-09	48-19636A10	SOL9331-116-11		TRI305-0386	72
SOL1311-110-15	48-73140A40	SOL9411-132-19		TRI305-0566	72
SOL1311-111-13	48-81670A40	SOL9411-132-21			
SOL1311-111-14	48-81670A40	SOL9411-133-17			
SOL1311-114-12	48-81670A40	SOL9411-135-15			
SOL1311-116-11	48-85632A40	SOL9411-138-13			
		SOL9411-140-09			

RO / OEM --> REF

RO/OEM	REF	RO/OEM	REF	RO/OEM	REF
9411	CM09411	197	94286	TEN00802	200
9411	TEN00811	201	94320	REC10-94320	252-253
12415	REC12415	110	95220	REC90430-08020	287-291-297-299-316
13171	REC12-31211Q01	352	95229	PAT3.6-04000006	203-213
13171	REC12-835467Q01	353	95347	REC30-95347	316
14480	REC14480	167	95348	PAF8-04000101	287-291-316
14586	REC14586	69-162-164	95395	PAF4-04000030	203-213
16049	REC30-16049	203	95610	REC90430-06M03	233
16057	REC53-16057	203	98432	TEN00812	200
16064	REC815113T02	116	160643	REC3G2-06040-2	117
16128	PAGB/T276-6004	287	161451	PAT5-03000800	289
16130	PAF8-04040004	291	161471	REC11-161471	297
16130	REC26-16130	289	161541	REC345-65021-0	172-299
16131	PAF8-04040002	287-291	161543	REC47-161543	287
16133	PAT5-03000016	289	161571	REC161571	287
16138	REC43-16138	287	161586	PAF8-04000006	68-182-291
16140	PAF8-04000012	291	161587	PAF8-04000005	182-291
16141	PAF8-04000012-1	287-291	161622	REC26-161622	188-297-299
16147	PAF15-06000016	297	162532	REC162532	105
16147	REC11-16147Q	289	167051	PAGB/T5787-M6X20	203-287-298-299-316
16150	PAF8-04010000	291	384073	PAF25-05010104	219
16152	PAF8-04000305	291	400213	PAGB/T6170-85	229
16152	PAT5-03000404	289	400325	PAGB/T5783-M6X8	219
16157	PAF6-03000002	289	401388	PAGB/T6182-2000	229-231
16157	REC16157	181	416223	PAF25-05010103	219
16159	REC16159	68-180-289	416223	REC22-41622	223
16165	PAT5-03000023	289	479452	PAF15-07010004	219-223
16253	REC16253	92-105	480955	PH130-0047	128
16496	REC16496	168	490955	PH130-0047	128
16832	PAGB/T5783-M6X16	203-213-287-316	627021	REC25-62702	219-223
17264	TEN00827	200	629101	PAF25-02010003	223
19273	REC19273	106	770002	REC96452A4	143
19552	REC27-19552	183	803507	NGKD CPR6E	203-213
19643	REC19643	347	803508	REC27-803508	204
20843	REC20843	303-327	803673	REC803673	248
21836	REC25-21836	309	803735	REC25-8M0087846	297
31640	TEN008000	200	803743	PAF8-04000019	297
31640	TEN00800AL	200	803745	REC52-803745	297
32435	REC324351	181-194-195-196-335	803748	REC334-65021-1	297
32768	REC32768	327	803749	REC28-803749	297
34127	TEN00801	200	803751	REC803751	297-298
34762	TEN00808	200	803752	REC26-803752	297-298
37721	REC37721001	327	803753	REC803753	297
42039	REC42039	293	804043	TEN00841	69-202
42121	TEN00810	201	804072	PAF25-00000006	225
42200	REC42200	180-191-192-193-293	804076	REC67F-41114-A2	225
42375	REC42375	293	804078	PAF40-05000053	225
43023	REC43023	301-303-305-347	804079	CM67F-11325-00	233
43046	REC43046	305	804080	REC60H-12416-00	225
43396	CM43396	198	804081	REC90501-16M11	225
43396	CM43396A	198	804082	REC90480-20M05	225
43993	REC26-43993	253	804086	REC67F-11328-00	225-233
46396	TEN00805	201	804120	PAGB/T818-M4X8	225
46399	TEN00804	200	804136	RECK0A-A3721-00	225
46895	REC46895	180-192-317	804137	RECK0A-A3722-00	225
47270	REC29-47270	249	804144	REC93102-38008	225-233
47820	CM47820	197	804145	REC67F-46241-00	225
47820	TEN00803	201	804184	REC6H4-14985-01	94-106
48752	REC48752T	181	804540	RM804540	68-162-164-203-204
48753	REC48753	181-193-194-327	804903	PAF8-04000013	291
54705	REC32768	181	808504	REC66K-13915-00	79
62351	PH350-0003	138	809569	REC809569	92-93-106
65848	REC65848	169	811618	REC893929A01	151
70977	REC70977T	181-192-317	811628	REC878265A6	151
73345	REC663-45987-00	333	812876	REC12-8M0012298	252
75692	REC13350	162	812944	REC43-812944	287-289
75692	REC6F5-12411-03	162	813277	PAF8-04000012-2	287-291
76214	CM76214	197	815083	SOLO001-073-06P	316
76214	CM762145A	197	815111	REC17-815111Q02	287
76214	TEN00826	201	815481	REC12-815481	305
77674	REC12-77674	309	817411	REC883072T	139
78614	PH350-0003	138	818298	TEN00816	201
79448	REC8M2011027	307-335-337	818298	TEN00816AL	201
80375	REC803753	180	818298	TEN00825	202
80653	TEN00832	201	818298	TEN00825AL	202
81987	REC90430-08020	311	818391	REC29-818391001	252
82779	PRE30107	159	818574	REC818574	261
85083	REC85083	180-191-193-295	821509	REC882751A04	133
85094	REC85094	295	821526	REC821526001	337
85691	PAF15-07000024	211	821663	PH300-0019	136
85824	TEN00809	201	822157	TEN00829	200
86210	REC43242-5	107	822157	TEN00829AL	200
86352	REC8M0092849	150	822158	REC822158	301
89026	CM89026	197	822625	PAF15-07010003	209-215-219-223
89949	TEN00821	201	822649	PAF25-05050001	217
90196	PAJASOF404-35-025	219-223-226-229-231-233	822650	PAF15-07040006	217
91012	REC10-91012	249	822777	PAF15-07050006	211
91800	PAF25-05000024	221-223-231	823033	TEN00830	200
			823548	REC61N-85570-01	116
				REC54-8M0064024	301
823683	REC25-823683	252-253	823912	TEN00823	213-289
823912	TEN00823	213-289	823913	TEN00824	202
823913	TEN00824	202	824051	PH200-T033	152
824051	PH200-T033	152	824145	REC824145	337
824145	REC824145	337	824853	PAF15-07010022	219-223
824853	PAF15-07010022	219-223	825010	PAF25-00000014	219-223
825010	PAF25-00000014	219-223	825019	PAF25-05020204	221
825019	PAF25-05020204	221	825027	PAF25-05020003	221
825027	PAF25-05020003	221	825046	PAF15-07040303	221
825046	PAF15-07040303	221	825050	PAF25-05050009	217
825050	PAF25-05050009	217	825054	PAF40-05070002	219
825054	PAF40-05070002	219	825212	PAF15-07000031	215
825212	PAF15-07000031	215	825271	TEN00822	201
825271	TEN00822	201	825271	TEN00823	202
825271	TEN00823	202	825435	CM668-11325-00	205
825435	CM668-11325-00	205	825451	PAF15-07040012	211
825451	PAF15-07040012	211	825451	PAF15-07040301	211
825451	PAF15-07040301	211	825490	PAF15-07050004	211-215
825490	PAF15-07050004	211-215	825667	REC66G-85540-29	140
825667	REC66G-85540-29	140	825702	PAGB/T5783-M6X20	211
825702	PAGB/T5783-M6X20	211	825953	PAF15-04000002	233
825953	PAF15-04000002	233	826134	CM826134	197
826134	CM826134	197	826134	CM826134A	197
826134	CM826134A	197	826150	PAF15-07040304	221
826150	PAF15-07040304	221	827207	PAGB/T5783-M8X25	225
827207	PAGB/T5783-M8X25	225	827365	REC827365	169
827365	REC827365	169	828151	REC882751A1	133
828151	REC882751A1	133	828358	REC8M0082988	112
828358	REC8M0082988	112	828553	REC8M000822	258
828553	REC8M000822	258	828708	PH200-T010	152
828708	PH200-T010	152	830274	PAF25-05050008	217
830274	PAF25-05050008	217	830749	REC26-830749	309
830749	REC26-830749	309	831246	PAF4-04000006	225-233
831246	PAF4-04000006	225-233	831294	REC65W-46241-00	217-272
831294	REC65W-46241-00	217-272	832013	PAF25-05020002	221
832013	PAF25-05020002	221	832990	PAF25-05050002	217
832990	PAF25-05050002	217	833102	PAF25-05000021	217
833102	PAF25-05000021	217	833104	PAF25-05050017	217
833104	PAF25-05050017	217	834777	REC67C-11181-01	219
834777	REC67C-11181-01	219	834954	PAF15-07050001	211
834954	PAF15-07050001	211	834956	PAF15-07040200	211
834956	PAF15-07040200	211	834974	PAF15-07010200	209
834974	PAF15-07010200	209	835392	REC66M-46241-00	211-272
835392	REC66M-46241-00	211-272	850055	REC850055001	163
850055	REC850055001	163	850307	REC850307	305
850307	REC850307	305	850837	PAF15-07050002	211-239
850837	PAF15-07050002	211-239	850838	PAF15-07040001	211
850838	PAF15-07040001	211	850839	PAF15-07040002	211
850839	PAF15-07040002	211	850842	PAF15-07040015	211
850842	PAF15-07040015	211	853762	REC853762	69-199-299
853762	REC853762	69-199-299	853762	TEN00839	200
853762	TEN00839	200	854341	PAF40-05000002	219
854341	PAF40-05000002	219	854445	REC854445	109-113-114
854445	REC854445	109-113-114	854713	PAF40-05040004	221
854713	PAF40-05040004	221	855219	PAF25-05060002	278
855219	PAF25-05060002	278	855236	PAF40-05070003	219
855236	PAF40-05070003	219	855678	PAF15-07010008	209
855678	PAF15-07010008	209	855690	PAF15-07010027	225
855690	PAF15-07010027	225	855776	PAF15-07010011	209-245
855776	PAF15-07010011	209-245	855779	PAF15-07010012	209-215
855779	PAF15-07010012	209-215	855837	PAF25-05080004	278
855837	PAF25-05080004	278	855959	PAF15-07040004	211
855959	PAF15-07040004	211	857078	PAF60-05000004	223
857078	PAF60-05000004	223	857080	PAF15-07010021	165
857080	PAF15-07010021	165	857139	PAGB/T5782-M8X35	223
857139	PAGB/T5782-M8X35	223	857139	PAGB/T5783-M8X35	219
857139	PAGB/T5783-M8X35	219	858498	REC858498	295-353-354
858498	REC858498	295-353-354	858530	PAGB/T5787-M6X30	225
858530	PAGB/T5787-M6X30	225	858581	REC93210-19MJ1	233
858581	REC93210-19MJ1	233	858763	REC858763	71
858763	REC858763	71	859210	REC881879T11	111
859210	REC881879T11	111	859495	NGK LFR5A-11	122-124-225-233
859495	NGK LFR5A-11	122-124-225-233	85976		

RO/OEM	REF	RO/OEM	REF	RO/OEM	REF
881428	PAGB/T5783-M6X16	225-233	8036674	REC26-8036674	298
881429	REC60V-12411-00	163	8037391	PAF8-04010000	291
881540	REC68V-24563-00	77-81-82	8037511	PAF8-04000010	181-291
881816	PAF4-04000001	311	8037531	PAF8-04000007	68-180-291
883220	PAF40-05100202E1	108	8040992	REC93102-48009	225-239
884461	REC26-8M0033928	231	8041151	REC67F-11181-03	225
887774	REC8M0151044	347	8043051	REC90201-02M00	311
887805	REC6P2-1131B-00	233	8043052	REC90201-31M00	311
887812	REC93210-25552	233	8130461	REC8130461	248
887825	REC69J-15451-00	233	8152791	REC815279A2	139
887830	REC93102-63004	233-240	8164641	REC26-8164641	309
887848	REC69J-11181-03	233	8172761	REC8172761	309
887853	REC6P2-11193-00	233	8172771	REC27-8172771	309
887855	REC6P2-11194-00	233	8205031	CM820503	198
887861	REC6P2-41122-00	233	8213161	REC8213161	301
887862	REC6P2-41114-00	233	8230427	PAGB/T5783-M6X12	213
887870	REC69J-12119-00	233	8239121	CM8239121	198
887883	REC69J-46241-00	233	8239121	TEN00840	201
887972	REC92990-18200	311	8245191	REC8245191	309
887973	REC90171-18M04	311	8248326	PAGB/T5782-M6X25	225-233
887974	REC91490-30025	311	8250311	PAF15-07010021	165-209-215
888212	REC69J-13761-00	98-99	8252312	PAF25-00000013	236
888227	REC69J-13906-00	97	8252711	CM825271	198
888483	REC26-888483	305-309	8252711	CM825271A	198
888590	REC888590002	153	8255791	REC93210-65752-00	313
888681	REC93311-83280	311	8255792	REC93210-86M38	313
888682	REC61A-45376-00-94	313	8257021	PAGB/T5783-M6X20	225-233
888683	REC61A-45321-01	313	8266901	REC90501-11M10-00	313
888687	REC61A-44322-02	313	8283582	REC8M0082988	112-229-231
888688	REC6E5-44312-00	313	8524741	PAGB/T5783-M6X20	225
888689	REC6E5-44352-01	173-313	8525601	PAF25-05010106	215
888690	REC61A-45538-00	313	8528165	PAGB/T6182-M5	311
888691	REC6G5-44323-00	313	8537052	PAF8-05010006	165
888692	REC6E5-44315-A0	313	8539481	REC688-45997-00	311
888693	REC61A-45331-00-94	313	8556692	PAF25-05000007	215
888694	REC93101-28M16	313	8556761	REC67F-12411-01	225-233
888695	REC6E5-45344-00	313	8556822	REC90206-22M19	313
888696	REC63P-45501-00	313	8558432	REC8M0047624	86
888699	REC69J-45611-00	311	8587321	REC68V-11351-00	225
888700	REC61A-45641-02	311	8813141	REC90170-16M19	311
888701	REC61A-45634-01	311	8813142	REC90183-02M03	311
888702	REC69J-45631-00	311	8813421	REC90280-04M05	313
888703	REC61A-45633-00	311	8814231	REC90119-08M14	313
888704	REC6H1-45668-00	311	8814371	REC93210-37160	313
888705	REC61A-45635-00	311	8814372	REC93210-54534	313
888708	REC69J-45361-00-8D	311	8814373	REC93211-04384	311
888710	REC61A-45214-10	311	8878272	PAGB/T5783-M8X25	313
888712	CM61A-45371-00A	311	8878481	REC6P2-11182-00	233
889575	PAF40-05000400	110-113-219-223	8883632	REC90201-22M01	313
889555	PH300-0030	136	8886331	REC61A-45632-00	311
889556	PH300-0031	136	8886631	REC93608-12M05	311
891663	REC891663001	109	8886651	REC6E5-44366-00	313
893404	CM892227	198	8886652	REC6E5-44365-00	313
893404	CM892227A	198	8886653	REC69J-45375-00	311
893404	TEN00833	201	8886811	REC93332-000W1	311
893529	PAF25-05020106	221-223	8886812	REC93317-330U2	313
893549	PAF25-05050021	219	8886813	REC93341-93020	313
893552	PAF25-05050005	221	8886814	REC93306-210U0	311
893553	PAF15-07040006	221	8886815	REC93315-43061	311
893554	PAF15-07040007	221	8886819	REC93332-00048	311
893560	PAF25-05050009	221	8886901	REC61A-45527-00	313
893561	PAF40-05040003	221	8886941	REC93101-30M17	190-311
893562	PAF25-05050011	221	8886961	REC63P-45501-10	313
893563	PAF40-05040002	221	8887031	REC90501-10M77	311
893565	PAF60-05020200	223	8887101	REC61A-45215-10	311
893581	PAF25-05050016	221	9521811	PAF8-04000021	287
893586	PAF25-05050007	219	11761001	CM15026A	233
893630	PAF25-05010302-2	223	11761001	CM689-11325-00A	233
893630	PAF25-05020203-2	221	16066004	REC16066004	112
893631	PAF25-05010302-2	221-223	40011106	PAGB/T5783-M5X14	226
893697	PAF40-05000011	219-223	40011107	PAGB/T5783-M5X16	229-231
893855	REC8M0151044	347	82500925	PAGB/T5783-M6X25	223
893863	PAF25-05020105	221-223	82503395	PAF25-05000002	223
893948	PAF25-05020002	223	82506182	PAF25-05000035	219
893949	PAF25-05020003	223	83124714	PAGB/T5783-M8X14	233
895118	PAF8-05030015	213	85277616	REC90119-06M10	313
895119	PAF8-05010015	207	85552001	REC85552001	295
895155	PAF8-04000016	291	88305914	PAF15-07010006	205
895156	PAF8-04000015	291	88348935	PAF15-07000030	219-223
895338	REC895338	163	88348935	PAGB/T5782-M6X35	223
895791	REC25-8M0034912	231	88552512	PAGB/T5783-M6X35	219
896142	REC27-896142	229	88552516	PAGB/T5783-M6X12	229-231
898836	REC25-898836	231	88552520	PAGB/T5783-M6X16	231
952892	REC47-952892	316	88552525	PAGB/T5783-M6X20	227
953683	REC90340-08002	287-297-298-299-316	88552525	PAF8-05000022	229-231
953921	PAGB/T848-6	203	88552525	PAGB/T5783-M6X25	226-227-229-231
1993720	PAGB/T5787-M6X20	309	88552530	PAGB/T5783-M6X30	227
4000325	PAGB/T5783-M6X8	223	88552540	PAGB/T5783-M6X40	227
4000333	PAGB/T5782-M6X40	221	88552545	PAGB/T5783-M6X35	227
4000333	PAGB/T5783-M6X40	223	88552635	PAF8-00000003	229
4002320	PAF25-05050018	221	88552635	PAGB/T5783-M8X35	231
4005685	PAGB/T818-M4X10	219	88552640	PAGB/T5782-M8X40	229-231
			88838012	REC90201-16M00	311
88869910	REC69K-45611-00	311			
803512001	PAF8-00000200	207			
803730001	PAF8-04000017	291			
803738004	PAF8-04020001S	291			
803738005	PAF8-04020001L	291			
803743002	PAF8-04000019	291			
803744002	PAF8-04000301	291			
803755004	PAF8-02000006S	291			
803755005	PAF8-02000006L	291			
803775006	PAF8-00000002	160			
804899002	PAF8-02000007	291-297			
813046002	REC813046002	244			
814080001	REC814080001	226			
818391001	REC29-818391001	253			
821526001	REC821526001	307			
822650001	PAF8-05030006	207			
825057003	PAGB/T3452.1-32.5X1.	203			
825212001	PAF15-07000031	219			
825455001	PAF8-05030011	213			
825666001	PAF4-04000019	213			
825713001	PAF8-05020105	203			
827443001	PAGB/T820-M4X12	233			
833072003	REC833072003	70-163			
833072004	REC833072004	70-163			
834775005	REC67C-41114-00	219			
834956005	PAF8-05030008	207			
834973001	PAF8-05030400	213			
847635001	TEN00838	202			
850055001	REC850055001	163			
850841002	PAF8-05030200	207			
850842001	PAF8-005030010	207			
851848003	PAF8-05000024	213			
853702005	PAF8-05010005	213			
853771004	PAF8-02000100	160			
853811008	PAF15-07060001	138			
855676002	REC855676002	69-162-164-207-213			
855676003	PAF15-07000031	209			
855676003	REC825212T02	162			
855676005	RM855676005	68-162			
855959001	PAF8-05030004	207			
879194192	PAGB/T5783-M8X35	213			
880596504	REC8M6000359	106			
880596524	REC8M6000359	106			
880596524	REC8M6000359	106			
880624003	REC27-880624003	231			
880884001	REC6C5-85885-00	109-113-114			
880885001	REC68F-83688-00	109-113-114			
881356001	REC63P-81950-00	132			
881879011	REC881879T11	111			
885342001	REC8M0148668	110-229			
885342002	REC8M0148668	110-226			
88548001	REC8M6000639	110			
88548002	REC8M6000639	110			
885599004	REC8M0067307	163			
887810010	REC69J-11351-11	233			
887861001	REC6P2-41122-00	233			
887862001	REC6P2-41114-00	233			
888590002	REC888590002	153			
889617001	REC27-889617001	277			
889659002	REC8M6000634	111-231			
889680001	NGKILFR6G-E	229			
891663001	REC891663001	109			
892086120	PAF25-00000006	226-229			
892123001	REC892123002	98-99			
892123002	REC892123002	98-99			
892267506	PAF40-05100703E1	108			
892267510	PAF40-05100504E1	108			
892267521	PAF40-05100501E1	108			
892267523	PAF40-05100503E1	108			
892267527	PAF40-05100001E1	108			
892267528	PAF40-05100002E1	108			
892267530	PAF40-05100704E1	87-108			
892267534	PAF40-05100502E1	87-108			
892267537	PAF40-05100201E1	108			
892319001	REC67C-11351-00	219-223-237			
892454030	PAGB/T5783-M6X30	231			
892454030	PAGB/T5787-M6X30	229			
892454035	PAF15-07000030	229			
892777002	PAF8-04000302	291			
893541082	PAF25-05000035	223			
893630001	PAF25-05010302-1	223			
893630001	PAF25-05020203-1	221			
893631001	PAF25-05010302-1	221-223			
894079002	CM67F-11325-00	198			
895167001	PAF8-00000100	160			
895810050	PAGB/T5787-1986	226-22			

RO/OEM	REF		RO/OEM	REF		RO/OEM	REF	
898101371	REC898101371	68-287	11-81773M	PAF25-05000026	217	12-953921	PAGB/T848-6	204
898829001	NGKLF4AE	69-122-123-226	11-81774M	REC90171-14013-00	325	12-96311M	PAF4-03000006	319
899883230	REC899883230	141	11-81775M	REC90171-16011	329-333	12082A1	REC815279A2	139
985810050	PAGB/T5783-M8X50	231	11-81781M	PAGB/T889.1-M5	329	12082A7	REC815279A2	139
1-855679	PAF15-07030005	211	11-826150	PAF15-07040304	211-217	12082A8	REC815279A2	139
10-11746M	PAGB/T5783-M6X25	251	11-826150001	PAF15-07040304	207	12596T2	REC12596T2	305
10-19937-16	REC10-816928	337	11-827614	REC90301-ZW1-003	335	13-42351-1	REC13-423511	335-337-353
10-2405M	PAGB/T5783-M6X25	251	11-827614Q	REC11-52707Q1	337	13191A1	REC13191Q01	305-352
10-30720	REC10-30720	346	11-84807M	REC90179-09M02	325	13301M	REC6F5-11515-00	251
10-40011128	PAGB/T5783-M6X20	215	11-855679001	PAF8-05010016	207	1395-4808-1	REC1395-48401	93-94-95-103
10-41884M	PAGB/T5783-M5X12	209	11-88228	REC11-88228	295	1395-5109-1	REC40480	102
10-41889M	REC6A0-14325-00	105	11489M	REC6G1-14985-00	105	1395-6200	REC1395-6200	93-94-102
10-43092M	PAGB/T5783-M5X12	209	11490M	REC6G1-14546-00	104	1395-6452	REC1395-6452	103
10-48408	REC10-48408	293	11497M	REC6G1-24471-00	89	1395-7623	REC1395-7623	106
10-49908	REC10-49908	295	11499M	REC6G1-24411-00	89	1395-7824	REC1395-7824	95-96-105
10-69570	REC10-69570	168	11502M	REC6G1-W0093-00	100-104-245	1395-811223-1	REC1395-8112231	102
10-79953A2	REC10-79953Q04	345	11560M	REC6G1-45113-A1	258	1395-8112231	REC1395-8112231	249
10-79953Q04	REC10-79953Q04	307	11589M	REC6G1-44322-00	320	1395-811357	REC1395-97611	101
		293-295-301-303-305-317-327-335-337	11592M	REC6G1-44323-00	320	1395-811690-1	REC1395-811690-1	95-96-105
			11593M	REC6G1-44328-00	320	1395-811691	REC1395-811691-3	103-104
			11655M	REC6G1-W0001-C1	320	1395-811691 2	REC1395-811691-2	95-96-103-104
10-80573M	REC647-14323-00	105	11656M	REC6G1-W0078-A1	184-320	1395-823635-4	REC1395-823635-4	101
10-806327	REC10-806327	307-337	11656T	REC6G1-W0078-A1	184	1395-8236354	REC1395-823635-4	252
10-816928	REC10-816928	307	11737T	REC6F5-85540-22	141	1395-8318	REC1395-8318	92-93-94-95-104
10-82442M	PAGB/T5783-M8X35	251	11747M	REC6F6-11191-00-1S	251	1395-8506	REC1395-8506	103
10-82468M	REC97095-08045	331-333	11753M	REC6F5-41111-01-1S	251	1395-8673	REC1395-8673	106
10-82474M	REC97075-10040	333	11755M	REC6F5-41113-A0-1S	251	1395-8983	REC1395-8673	106
10-8248324	PAGB/T5783-M6X16	303	11810M	REC6F6-W0093-00	102	1395-9022	REC1395-9022	92-93-105
10-82500925	PAGB/T5783-M6X25	211-215	11810T	REC6F6-W0093-00	102	1395-9024	REC1395-9024	93-102
10-82500930	PAGB/T5783-M5X12	209	11919M	REC6E5-12411-02	162-245	1395-9179	REC1395-97611	101
10-825010	PAF25-05020204	217	11921M	REC6E0-26301-01	107	1395-9258	REC1399-1473	104
10-82503395	PAF25-05000002	215	12-12577	REC12-12577	305	1395-9262-1	REC40470	100
10-825046	PAF15-07040303	211-217	12-13305M	REC90209-27M07	251	1395-9267	REC1395-7623	106
10-825046001	PAF15-07040303	207	12-16140	PAF5-03000015	289	1395-9377	REC1395-97611	101
10-82506182	PAGB/T5782-M8X80	215	12-161402	PAGB/T96-10	352	1395-9594	REC1395-9594	93-94-95-106
10-8257021	PAGB/T5783-M6X30	251	12-16146	PAGB/T96-10	289-347	1395-9595-1	REC1395-9595-1	93-94-95-105
10-82641030	PAF25-05050019	217	12-16448	REC12-16448	293	1395-9645	REC1395-97611	101
10-826844-30	REC10-82684430	293-305	12-16826	PAGB/T97.1-6	289	1395-9651	REC1395-9651	93-102
10-826957M	PAGB/T5783-M5X12	211	12-19183	REC12-191833	347	1395-9725	REC1395-97611	101
10-826957M	PAGB/T5783-M6X16	251	12-19183-2	REC12-191833	337	1395-9761	REC1395-97611	101
10-827043M	PAGB/T5782-M6X45	323			293-295-301-303-305-327-335	1395-97611	REC1395-97611	101
10-827043M	REC97095-06040	321	12-19183-3	REC12-191833	347	1399-1138	REC1399-1473	104
10-827607	PAF25-05050006	215			317-347	1399-1473	REC1399-1473	104
10-83285M	PAGB/T5783-M6X30	315	12-20084	REC12-20084	347	1399-1717	REC1395-2015	100
10-83392M	REC90149-06M00	329	12-20260	REC12-191833	317-347	1399-2015	REC1395-2015	100
10-83858M	PAGB/T820-M5X30	329	12-29245	REC12-29245	295-301-327-335	1399-3523	REC1395-2015	100
10-83870M	PAGB/T818-M6X16	329	12-31211A2	REC12-31211Q03	354	1399-3938	REC1399-3938	79
10-84057M	REC97095-08055	331-333	12-31211A3	REC12-31211Q03	335-337	1399-5135	REC1395-5198	101
10-84058M	PAGB/T5783-M6X20	321-323	12-38453	REC12-38453	170-327	1399-5137	REC1399-5137	92-93-101
10-84088M	PAGB/T5783-M6X10	323	12-4002319	PAF25-05050018	217	1399-5198	REC1395-5198	101
10-84272M	PAGB/T845-ST4.2X16	323	12-41369	REC12-41369	293	1399-99	REC1399-99	278
10-84368M	PAGB/T5783-M6X16	315	12-45176	REC12-45176	305	14-18323	REC14-18323	337
10-84788M	PAGB/T845-ST4.8X9	323	12-76451	REC12-76451	169	14-31210	REC90508-ZW1-003	353
10-84790M	REC90101-06M56	325	12-77674	REC12-77674	307-327-335-337-347	14-76281	REC14-76281Q	301-303-327-354-353
10-850879	PAGB/T5783-M5X12	211	12-78910	REC12-78910	335	14-79447	REC14-79447	335
10-855677	PAF15-07000028	211	12-80404M	PAF2.6-03000017	315	14-816629	REC90508-ZW1-003	337
10-855778	PAGB/T5783-M5X12	209	12-81455M	REC663-45552-00	329-333	14-816629Q	REC90508-ZW1-003	305
10-857139	PAGB/T5782-M8X35	215	12-81461M	REC663-45576-00	329	14-81877M	REC90214-48M03	329-333
10-88348935	PAGB/T5782-M6X35	215	12-81477M	REC663-45987-00	329	14180M	REC6E7-14385-00	105
10-88348935	PAGB/T5783-M6X25	215	12-815025M	REC6E7-45987-00	323	14216M	REC6E8-14390-12	104
10-88348935	PAGB/T5783-M6X35	215	12-81650M	REC664-45987-00	325	14307A1	REC14307T01	86
10-89514001	PAF8-00000003	207	12-81816M	REC90201-12565	247	14307T01	REC14307T01	86
10-91722M	PAGB/T5783-M6X35	321	12-81831M	REC90201-20417	251-325	14334A3	REC14334A3	179-191-193-194-303
10-91772M	PAGB/T5783-M6X35	315	12-81837M	REC90201-22429	329-333	14360T74	REC14360T74	84
10-92521M	PAGB/T5783-M5X16	315	12-81852M	PAF25-02000019	331	14360T77	REC14360T77	85
10-92523M	PAGB/T5783-M6X30	320	12-81875M	PAF4-03000006	315	14479-1	REC14479-1	168
10-92536M	REC97095-06045	320	12-82214M	PAGB/T861.1-87	315	14586A3	REC14586A3	164-166
10-94320	REC10-94320	252	12-82214M	PAGB/T97.1-6	315-323-331	14586A7	REC14586A7	164-166
10-96411	REC10-96411	335-346	12-82214M	PAGB/T97.1-8	315	14857A10, A16	REC14857A16	149
11-13436	REC11-13436	335	12-82214M	PAGB/T97.1-8	331-333	15-16141	PAF8-04000002-1	289
11-13438	REC11-8267089	327-335	12-825044	PAF25-05050003	217-221	15-161631	PAT5-03000004-1	289
11-13914A2	REC13914Q02	354	12-825467	REC12-31211Q01	352	15-19148005	PAF15-06080006-1	323
11-16147	PAF15-06000016	352	12-825498	PAGB/T5287-6	211	15-19148M	PAT40-04000003-1	331
11-161471	REC11-161471	352	12-827055M	PAGB/T861.1-87	321	15-19149M	PAT40-04000003-3	331
11-31990A2	REC11-31990Q02	354	12-82710M	PAF15-07040017	211	15-19150M	PAT40-04000003-4	331
11-35921	REC11-35921	305-307-335-337-341	12-835467	REC12-31211Q01	337	15-19151M	PAT40-04000003-5	331
11-40119-12	REC11-4011912	295	12-835467-1	REC12-835467Q01	335	15-19152M	PAT40-04000003-6	331
11-4011912	REC11-4011912	352	12-83700M	REC90389-22M01	329	15-19153M	PAT40-04000003-7	331
11-401378	REC11-401378	305	12-84620M	REC90209-18112	243-245-247	15-19154M	PAT40-04000004-1	329
11-40140	REC11-40140	293	12-850843	PAF15-07030004	211	15-38657A1	REC15-38657A1	307
11-45812	REC11-859124	327	12-85303	REC12-85303	169	15-42637A1	REC15-42637A1	335-337-346
11-52407Q1	REC90301-ZW1-003	305	12-855941	REC12-855941	305	15-44491A1	REC15-44491A1	305-337
11-52707	REC90301-ZW1-003	352	12-858234	REC8M0005777	69-303	15-44492A1	REC15-8M00663265	305
11-52707A1	REC11-52707Q1	354	12-86645	REC12-86645	347	15-47397A1	REC15-47397A1	335-337-346
11-52707Q1	REC11-52707Q1	334-336-354	12-86645-1	REC12-86645	295-301	15-80259M	PAF15-06080006-3	323
11-55910	REC313339	301-303-327	12-881379	PAGB/T97.1-6	251-321	15-80260M	PAF15-06080006-5	323
			12-89302	REC12-29245	295	15-812770A1	REC15-812770A1	303
11-69578	REC11-69578Q1	341	12-895118001	PAF8-05030015	207	15-8132761	PAT5-03000004-2	289
11-69578A1	REC11-69578Q1	301-303-327			307-335-337	15-813277	PAF8-04000002-2	289
11-81450M	REC697-45384-00	329-333	12-92721	REC350038	347	15-81459M	PAT40-04000004-5	329
11-81619M	REC664-45384-00	325	12-94182	REC12-94182	168			
11-81772M	REC90170-12138	329-333	12-94627M	REC90201-17682	3			

RO/OEM	REF		RO/OEM	REF		RO/OEM	REF	
15-81469M	PAT40-04000003-2	331	18856M	PAF4-04000019	221-223	23014A1	REC23014A1	91-92-93-94-95
15-884327A01	REC15-884327A02	307	18955M	PAF15-06000010-2	323	24-17667	PAT5-03000402	289
15-92881A1	RM15-92881A1	327	18958M	PAF15-06000010-5	323	24-29340A1-T1	REC24-13421	130
155278A1	REC155278A1	91-93-94-95	18960M	PAF15-06000010-7	323	24-30893	REC24-30893	303-305-307-335-337-346
15920A54	REC8M0092849	150	19-825953	PAF15-04000002	81	24-38114	REC24-38114	301-327-346
16058T	REC16058	119	19052A1, 2, 3, 4, 5, 6, 8	REC19052A8	141-147	24-42996	REC24-42996	168
16061T04	REC16061T04	140	19167M	REC688-45215-02	329	24-47968	REC24-47968	168
16064A1	REC815113T02	116	19217A1-A5	PH200-T003	151	24-64878	REC24-64878	168
16064A3	REC815113T02	116	19255M	REC6E9-12413-00-15	165-251	24-78962	REC24-78962	335
16158 5	PAF8-04000008	68-291	19271-1	REC19271-1	93-94-104	24-79910	REC24-79910	335
1623-822442A19	REC1623-822442A19	281	19291A3	REC19291A3	301-303	24-803554005	PAF8-05030005	207
1623-822442A20	REC1623-822442A20	281	19513 3	REC44-195133	289	24-815418	REC24-815418	303
1623-859399T13	REC1623-859399T13	281	19700A2	REC19700A2	69-181-191-193-194-303	24-82091M	REC90501-16233	333
1623-859399T14	REC1623-859399T14	281	19755T7	REC19755T7	307	24-823678	PAF25-05050005	217
1623-888680T06	REC421-B25F	283-311	21-13424A1	REC21-13424A1	90-93-94	24-825052	PAF25-05050011	217
1623-888680T07	REC421-B30F	283-311	21-30430A1	REC21-30430A1	92-93-94-95	24-825052	PAF25-05050012	217
1623-888680T08	REC428-B25F	283-311	21-30430A13	REC21-30430A13	90-94	24-825452	PAF15-07040014	211
1623-888680T09	REC428-B30F	283-311	21-30430A14	REC21-30430A14	90-94-95	24-825452001	PAF8-05030009	207
1647-9148T81	REC1647-9148T81	281	21-30430A3	REC21-30430A3	91-93-94-95	24-825453	PAF15-07040013	211
1647-9148T82	REC1647-9148T82	281	21-30430A4	REC21-30430A4	91-93	24-83429M	REC90501-16M01	329
1647-9148T84	REC1647-9148T84	281	21-30430A7	REC21-30430A7	91-95	24-850840	PAF15-07040005	211
1647-9148T85	REC1647-9148T85	281	21-41279M	REC6E0-41114-A1	169	24-88680	REC24-88680	295
1667-901110, 11	REC1667-9011R6	282	21-42990A10	REC21-42990A10	90-93-94-95-96	24-90392	REC24-90392	168
1667-901167, 78	REC1667-9011R6	282	21-80727M	REC650-11370-00	243-247-251	2417-830269A1	PAF25-05020001	217-242
1667-9011G51	REC1667-9011R6	282	22-13563T-3	GS31027	73	2419-82500935	PAF25-05050200	217
1667-9011G70	REC1667-9011G90	282	22-13563T-3	GS31028	73	25-11451M	REC93210-54M54	245
1667-9011G90	REC1667-9011G90	282	22-13563T-7	GS31082	73	25-11759M	REC93210-65M50	251
1667-9011J41	REC1667-9011J41	282	22-142131	GS31026	73	25-14175M	REC93210-42101	315
1667-9011J6	REC1667-9011R6	282	22-34982	GS31067	76	25-15377M	REC93210-58677	321
1667-9011R6	REC1667-9011R6	282	22-424254	REC22-424254	76	25-161771	PAT5-03000022	289
16900A15	REC881170A15	155	22-479452	PAF15-04000002	215	25-16178	PAJISB2401P16	289
16900A20	REC881170A20	157	22-67892A05	REC22-67892A05	303	25-20081	REC25-20081	263
16901A15	REC881170A3	155	22-67892A1	REC22-67892A05	293-295-301-303-305-327-335-345	25-20273	REC25-20273	181-327
16902A15	REC881170A7	156	22-687271	REC22-687271	168	25-20826	REC308627	263
16907A15	REC881170A7	156	22-80122M	PAT15-04010202	251	25-20863	REC25-80863	263
17-11794M	REC6E5-14386-01	107	22-8189941	REC22-8189941	76	25-21836	REC25-21836	337
17-13302T	REC6F5-11681-00	251	22-81924M	REC90340-08002	315-319-320-321-322-325-329-333	25-25439	REC25-25439	327-335
17-14193M	REC6G1-11681-1	243-245-247	22-822644	PAF15-07010006	209	25-26722	REC302588	327
17-16150	PAGB/T879.1-3.5X28	289	22-822644001	PAF8-05010002	207	25-26802	REC303347	317
17-30632	REC17-8M0084681	305-307-335-337-344	22-83326M	PAF15-04000005	205-209-247	25-26855	REC3852928	301
17-38113	REC17-8M0020942	303-327	22-83369M	REC676-14966-00	105	25-26855	REC309731	317
17-43043	REC17-43043	303	22-887987A1	REC22-887987A1	347	25-30224	REC25-30224	303
17-78905	REC17-8M0084243	335	22-89771Q2	GS31066	76	25-30271	REC25-30271	181-335
17-80252M	PAF15-06000009	322	22-8M0083059	REC90340-08002	345	25-30529	REC25-30529	317
17-80451M	REC647-14386-10	107	22-8M008360	REC90340-08002	345	25-31305	REC553126	263
17-81278M	REC663-14548-00	107	22-8M0086290	BRA125-3/8X1/2	76	25-31534	REC25-31534	337
17-81896M	REC90250-03M10	315	22-94716M	PAF4-04010102	251	25-31986	REC3852866	327
17-81899M	REC90250-05010	323-325	22-95368 3	REC90340-08002	289	25-32546	REC25-32546	263
17-81901M	REC90250-05036	321	22-95632M	REC688-45341-00	333	25-32546	REC25-32546	263
17-81902M	REC90250-05046	319	22-9964-1	REC331886	169	25-33145	REC25-33145	293
17-81903M	REC90250-06023	329-333	22-996642	PAF25-05010113	215	25-33466	PAF25-05000011	278
17-82145M	PAGB/T879.4-3X20	251	22831T03	GS31078	73	25-35027	REC25-35027	337
17-822369	REC17-822369	301	23-16124	PATLA1412Z	289	25-35276	REC310584	295
17-82354M	PAF25-04000007	323-331	23-16176	PAT5-03000020	289	25-36318	REC25-36318	337
17-82355M	PAF4-03000016	319	23-29804	REC23-29804T	335-347	25-45258	REC25-45258	303
17-82356M	PAF2.6-03000013	315	23-29804	REC26-816575A2	345	25-45710	REC25-45710	305
17-82364M	REC93606-12019	323-331	23-41367	REC23-41367	293	25-47254	REC310414	263
17-82368M	PAF25-00000014	251	23-42091-1	REC23-420911	293	25-54029	REC25-33465	263-264-265
17-825010	PAF25-00000014	215	23-420911	REC23-420911	353	25-62700	REC25-62700	263-265
17-825689	PAF15-07000001	209-211	23-43045	REC23-43045	303	25-62704	REC3852045	317
17-825689	PAF15-07000001	205	23-43052A4	REC23-43052A4	305	25-6270501	REC25-62705001	226
17-825956	PAF25-05050016	217	23-77631A2	REC23-77631A2	327-335	25-64872	REC25-64872	168
17-828356	REC17-828356	307-335-337	23-80536M	REC647-45316-09	321	25-67207	REC25-67206	263-264-265
17-85096	REC17-85096	295	23-813696A2	REC23-813696A2	303	25-69202	REC25-67202	295
17-85500	REC17-85500	295	23-815921A4	REC23-815921A21	337	25-803514	REC26-803514	244
17-85593	REC17-85593	295-301	23-815921A4-A10	REC23-815921A21	344	25-809086	REC25-809086	97
17-92639M	REC676-14186-00	107	23-81841M	REC93101-20M34	245	25-815460	REC25-80863	301
17-9521811	PAF8-04000021	346	23-821927	REC23-821927	293	25-815460	REC25-815460	303
17-97730M	REC688-14548-00	107	23-823943	REC23-823943	293	25-818573	REC25-818573	238
17050M	REC6H3-14590-00	104	23-823944	REC23-823944	293	25-81989M	REC90430-12072	331
17065A1	REC8M0144930	159	23-824108	REC23-824108	335-337	25-821308	REC25-821308	301
17068M	REC6E9-W0093-02	102-104	23-825021	PAF25-05020203-1	217	25-822236	REC25-822236	293
17264T2	CM17264	197	23-8250212	PAF25-05020203-2	217	25-82275M	REC93210-41042	331-333
17264T2	TEN00827	303	23-825024	PAF25-05010302-1	217	25-82276M	REC93210-42159	247
17514A1	REC31-17514A2	249	23-8250241	PAF25-05010302-2	217	25-82280M	REC93210-48214	319
17649A1/A02	PH200-T015	152	23-82590M	REC626-45316-09	323	25-82281M	REC93210-49046	320-333
18-815026	PAGB/T91-2.5X20	323	23-84445M	REC667-45997-00	329-333	25-82289M	REC93210-66M98	329-333
18-815026	PAGB/T91-3.2X18	289	23-85095	REC23-85095	295	25-823683	REC25-823683	263
18-8150261	PAGB/T91-2.5X20	68-353-354	23-85557	REC23-85557	295	25-825040	PAF15-07010009	215
18-82132M	PAGB/T91-1.6X12	319	23-86215	REC23-86215	317	25-825057003	PAGB/T3452.1-35.5x1.	278
18-82132M	REC91490-30025	329	23-891919001	REC23-891919001	307	25-8250572	PAGB3452.1-82	278
18-82132M	REC91490-30030	325	23-8M0142859	REC23-8M0142859	309	25-825492	PAF4-04000008	211
18-82134M	REC91490-30040	315	23-8M0164967	REC23-8M0164967	309	25-825492	PAJASOF40431-025	215
18-82135M	REC91490-30025	333	23-95476M	REC6E0-45316-00	319	25-826152	PAF25-05050015	217
18495-A10-12-15-18-19-26	REC18495A26	142-147-148	23-95477M	REC6E0-45317-00	319	25-826153	PAF25-05050013	217
18495A4-5-6-8-13	REC18495A13	141	23-99035M	REC6E7-45536-00	323	25-826154	PAF25-05050014	217
18495A9, A14, A15, A20, A21, A25, A30	REC18495A30	141-147				25-833103	PAF25-05000004	215-239
18842M	REC93606-12019	243				25-83348M	REC93210-22M02	251
18853M	PAF4-00000001	319				25-84054M	REC689-44315-A0	325
						25-84089M	REC93210-57M09	323
						25-8527681	PAF15-07050003	211

RO/OEM	REF		RO/OEM	REF		RO/OEM	REF	
25-853525	PAF15-07000007	278	26-80398M	PAF4-03000021	319	27-11574M	REC6G1-45315-A0	320
25-854341	REC67C-11356-00	238	26-80398M	REC646-44366-01	315	27-11591M	REC6G1-44315-A0	320
25-854639	REC25-854639	168	26-804349004	REC26-8M0036343	226	27-11745M	REC6F5-11181-A2	251
25-854722	PAGBT3452.1-97.5X1.8	215	26-80532M	REC647-44366-00	320-321	27-11754	REC6F5-45112-A0	251
25-85549	REC25-85549	295	26-81426M	REC663-44366-00	331-333	27-11754M	PAF15-04000003	251
25-855690	PAF15-07010027	211	26-81427M	PAT40-02000002	331	27-11756	REC6F5-41114-A0	251
25-85594	REC301877	295-301	26-814669	REC26-814669	303	27-11885	REC6F5-45113-A0	251-258
25-86203	REC25-86203	181	26-814669A2	REC26-814669A2	174-176-188-189-302	27-134612	REC27-134612	279
25-86203	REC25-86203	295	26-814670	REC26-814670	303	27-13461A99	REC27-13461A99	256-261
25-887812	REC93210-25552	238	26-815449	REC26-859093	263-265	27-13937-6	REC27-139376	279
25-88955	REC335523	263-265	26-816464	REC26-816464	238	27-13958-1	REC27-139581	276
25-89497	REC25-89497	263	26-816464-1	REC26-816464-1	303-305-307-327-335-337	27-14318-3	REC27-14318005	167
25-896322	REC25-36318	307	26-816575A2	REC26-816575A2	307-337	27-14697A87	REC27-14697A87	257-261
25-896523	REC25-896523	307	26-816575A4	REC26-816575A4	175-176-336	27-15172-3	REC27-151724	279
25-896524	REC25-31534	335	26-816575A5	REC26-816575A5	175-176-336	27-16158	PAF6-03000003	68-289
25-8M0000190	REC25-8M0000190	309	26-820645A1	REC26-820645A1	174	27-16160	PAT5-03000006	68-289
25-8M0052669	PAJASOF40431-025	205	26-821092	REC26-821092	238	27-16164	PAT5-03000005	289
25-8M0142840	REC25-8M0142840	309	26-821309	REC26-821309	301	27-16717M	REC696-45113-00	259
25-90011	REC25-90011	263-335-337	26-821310	REC26-821310	301	27-18785T	REC27-18785T	254-261
25-95602M	REC93210-42M70	247	26-82165M	REC93101-14M01	247	27-18786T	REC27-418786T	255-261
25-97386	REC310414	305	26-821928	REC26-821928	293	27-18937M	REC6E7-11181-00	254
25661-1	PH375-0011	132	26-82226M	REC93101-15074	320-321	27-19138M	REC689-11181-00	254
26-11464M	REC93101-11M23	320	26-82228M	REC93101-18050	321	27-19175	REC676-45114-A1	277
26-11731M	REC93102-35M18	251	26-82229M	REC93101-20048	323	27-19202	REC27-19202001	68-182-293
26-11758M	REC93101-30M33	251	26-82233M	REC93101-22067	325-333	27-19202	REC27-192043	182
26-12224	REC26-12224	189-335-337	26-82234M	REC93101-23070	333	27-19204-3	REC27-192043	293
26-12709	REC26-12709	238	26-82250M	REC93103-10052	315	27-19205-1	REC27-19205002	166
26-14077	REC26-76868	238-337	26-82251M	REC93103-11051	315	27-19551	REC27-19551	183-327
26-14195M	REC93102-20M25	245-247	26-82257M	REC93106-09014	333	27-19552	REC27-19552	327
26-14240	REC26-14240	238	26-822647	PAF166-010003	217	27-19553	REC27-19553	183-327
26-16051	REC26-16051	244	26-822647	PAPS2700.04.03	211-221	27-19701	REC27-8M4502052	303
26-16162	REC26-16162	289	26-825027	PAF25-05020003	217	27-25725	REC27-25725	154
26-16168	PAT5-03000013	289	26-825048	PAF25-05050021	217	27-25848	REC27-25848	107
26-16171	PAT5-03000014	289	26-825455	PAF15-07040008	211	27-25849	REC27-25849	107
26-16703	REC26-16703	204	26-825455001	PAF8-05030011	207	27-27936-1	REC27-279361	279
26-16977	REC26-16977	177-238-263-335	26-830749	REC26-830749	307	27-29166	REC27-29166	154
26-18816	REC26-807006	238	26-830749A01	REC26-830749A01	189-190-307	27-29586	REC27-29586	347
26-18843M	REC93101-20M29	243-247	26-830898	REC26-830898	263-265	27-31402	REC27-31402	278
26-189721	REC93104-16M01	251	26-832013	PAF25-05020002	217	27-32438	REC27-32438	183
26-20070	REC908855	176-238	26-83406M	REC93101-22067	329-331	27-327674	REC327674	275
26-24590	REC26-24590	176-177-238	26-84022M	REC682-44365-00	345	27-32771	REC27-32771	184
26-30900	REC327031	317	26-84813M	REC93101-20M07	325	27-38501-1	REC27-385011	275
26-30913	REC26-30913	176-238-317	26-84818M	REC689-44366-00	325	27-39401	REC27-39401	259
26-32511	REC26-32511	238	26-850850	PAF15-07010014	209	27-39402	REC27-39402	276
26-32911	REC26-55682	238	26-85090	REC26-85090001	295	27-39623	REC27-396231	182
26-33467	REC26-33467	238	26-85090A1	REC26-85090A1	174-176-295	27-39625	REC27-39625	182
26-33613	REC26-33613	293-317	26-85090A2	REC26-85090A2	174-176-295	27-39626	REC27-39626	182
26-36556	REC26-36556	347	26-85107	REC26-00173	238	27-41245-1	REC27-41245-1	255-261
26-36558	REC26-36558	317	26-852859	PAF15-02000006	345	27-41246-1	REC27-41246-1	255-261
26-38452	REC26-38452	327-347	26-85370711	REC26-85370711	244	27-41273M	REC689-44324-A0	325
26-38970	REC26-38970	335-344	26-8537077	REC26-8537077	204-241	27-41417-2	REC414172	278
26-41131	REC26-76127	177-295	26-8540171	REC93101-17054	323	27-41418-1	REC414181	278
26-41132	REC26-41132	295	26-8545680	PAF15-07030006	209-241	27-41475-8	REC414758	274
26-41365-1	REC26-413651	293	26-855681	PAF15-07030007	209-241	27-414991	REC414991	274
26-41365A3	REC26-41365A3	174-176-293	26-855681001	PAF8-05010012	207	27-41499A87	REC27-41499A87	255-260
26-41953	REC26-419533	238	26-880596502	REC26-880596502	87-88-89-97	27-41670-3	REC27-41670006	258
26-41953 3	REC26-419533	263	26-880629	REC26-880629	274	27-41899M	REC689-W0001-C2	325
26-42102-1	REC26-421021	293	26-88397	REC26-88397	345	27-42364A92	REC27-42364A92	255-260
26-42133	REC26-42133	293	26-888483	REC26-888483	307	27-42631-1	REC27-426311	183-335
26-43035	REC26-43035	305	26-888593	REC26-888593	70-81	27-43004-1	REC27-43004009	276
26-43035A4	REC26-43035A4	174-176-189-304	26-888660	REC69J-41138-00	277	27-43004-1	REC646-14623-A1	277
26-43036	REC26-43036	177-238-305	26-888906	REC26-888483	307	27-43004A99	REC27-43004A99	253-256-260-261
26-43943	REC26-43993	238	26-888920	REC26-888920	307	27-43004A99	REC27-43004A99	252
26-43993	REC26-43993	252-263	26-888921	REC26-888921	307	27-430057	REC27-430057	170
26-45587	REC26-45587	238	26-89236	REC26-70080	189-238	27-43006-8	REC27-430068	167
26-55682	REC26-55682	238	26-89238	REC26-89238	177-238-335	27-43007-3	REC27-430075	259
26-55682A1	REC26-55682A1	175-176-334	26-89238A2	REC26-89238A2	175-176	27-43008	REC27-430086	276
26-56397	REC26-56397	238-164-363	26-896524	REC25-31534	307	27-43033-1	REC27-430331	183-305-307-337
26-56788	REC320961	238	26-8M0032912	REC26-8M0032912	229	27-43034-1	REC27-8172771	183
26-62818	REC26-62818	238	26-8M0142851	REC26-8M0142851	309	27-43047-2	REC27-430472	183-305
26-66022	REC26-66022	293-317	26-8M0142979	REC26-8M0142979	175-190-309	27-43337-4	REC27-433374	275
26-66301	REC26-66301	263-264	26-8M2014338	REC26-8M0142851	345	27-43777-2	REC27-437772	262
26-66302	REC26-66302	263-264-337	26-90063	REC26-897153	238	27-43779-2	REC27-437792	262
26-66303A1	REC26-66303A1	175-176	26-90562	REC26-90562	176-177-238-327	27-43779A87	REC27-43779A87	256-260
26-68493	REC26-823894	238	26-91726M	REC93101-10M14	319	27-46351	REC27-46351	154
26-69188	REC26-69188	176-177-188-189-238-301-303-327	26-94038	REC26-94038	177-238	27-47190	REC27-47190	154
26-69189	REC26-69189	176-177-188-189-238-301-303-327	26-94626M	REC683-44365-01	323	27-48164-1	REC27-481641	279
26-70081	REC26-70081	177-189-238-305	26-94663M	REC93210-42159	245	27-48801	REC27-48801	277
26-72785	REC26-72785	238	26-95472M	REC93101-10M25	243	27-55279-1	REC27-552791	279
26-76868	REC26-76868	238-305-335-337	26-96063	REC26-897153	317	27-62107	REC27-62107	279
26-77066A1	REC26-77066A1	174-176-317	26-96317M	REC93101-13M12	319	27-62386	REC13350	162
26-79831	REC26-79831	176-177-238-327	26-99031M	REC6E7-44366-00	323	27-62386	REC27-62386001	166-169
26-79831A1	REC26-79831A1	174-176-327	26-99325	REC26-99325	295	27-62860-1	REC27-628601	258
26-80239M	REC626-44365-01	323-325	27-11338A88	REC27-11338A88	257-261	27-65744-2	REC27-657443	280
26-803514	REC26-803514	204	27-11454M	REC6G1-11193-A1	169-245	27-66847	REC27-66847	167-275
26-80397M	REC646-44365-00	315	27-11456M	REC6G1-41112-A1	169-245	27-67275-1	REC27-672751	280
			27-11456M	REC6G1-41114-A0	245	27-67751-1	REC27-677511	279
			27-114749M	REC6F6-11193-A1	251	27-69238-1	REC27-692381	276
			27-11500M	REC6G1-24431-01	89	27-69524-2	REC27-695242	275
			27-11560M	REC6G1-45113-A1	245	27-69525-2	REC27-695252	275
			27-11568M	REC6G1-41133-A0	274	27-70335-1	REC27-703351	275
						27-72486A32	REC27-72486A32	256-260

RO/OEM	REF		RO/OEM	REF		RO/OEM	REF	
27-733771	REC27-733771	279	27-835383001	PAF15-07000017	278	27-8M6000366	REC27-8M6000366	234
27-75786	REC27-75786	277	27-835427003	PAF8-00000004	207-236	27-90430-1	REC27-904301	280
27-75791	REC27-757911	278	27-8354272	PAF15-00000014	209-236-237	27-90484-1	REC27-904841	276
27-75909	REC27-75909	259	27-835427A00	REC66M-W0001-01	208-235-237	27-90484A88	REC27-90484A88	257-261
27-76636	REC27-76636	280	27-835427A04	REC3V1-87121-0	235-237	27-91746M	REC6E0-24435-00	89
27-76952	REC27-76952	279	27-83865M	REC679-44316-A0	331	27-91754M	REC6E0-24434-00	89
27-78028A78	REC27-78028A78	256-260	27-83940M	REC27-83940	167	27-91780	REC6E0-45113-A1	243
27-78069	REC27-8231422	259	27-83940M	REC682-12414-A1	167	27-91780M	REC6E0-45113-A1	258
27-78246	REC27-782461	276	27-83951M	REC682-41114-00	169	27-92648M	REC698-W0001-21	332
27-78409	REC27-78409	276	27-83955M	REC682-41133-A0	274	27-93536-1	REC27-935361	280
27-78410	REC27-78410	262	27-84024M	REC682-44315-00	323	27-95220	REC90430-08020	289
27-78411	REC27-78411	276	27-84075	REC683-45315-A0	323	27-9529001	REC309-01005-2	254
27-78690	REC27-78690002	167-280	27-84264M	REC677-24435-01	89	27-95418M	REC679-45315-A1	329
27-78690002	REC27-78690002	167	27-84741M	REC689-41114-A0	170	27-95595M	REC677-11181-A0	247-254
27-79583-1	REC27-79583-1	255-261	27-847525-1	REC847525	280	27-95597M	REC677-41112-A0	247
27-79583A81	REC27-79583A81	258-261	27-84775	REC61T-45113-A0	259	27-95610	REC90430-06M03	321
27-79650-1	REC27-796501	258	27-850283	REC27-850283	280	27-95610M	REC90430-06M03	329
27-803508	REC27-803508	234	27-850836	PAF15-07000100	211-234-237	27-95610M	REC90430-08020	329
27-803508017	PAF8-05000002	207-239	27-850836001	PAF8-05000100	207-234-237	27-95656M	REC689-44316-A0	325
27-803663	REC350-01005-0	254	27-85087	REC27-85087	182	27-96278	REC27-96278	262
27-803663018	REC351-01005-0	254	27-853523	PAF15-07040016	211-241	27-96281T01	REC27-96542-1	254
27-803663021	REC3B2-01005-0	254	27-853523001	PAF8-05030012	207-241	27-96295	PAF4-03000011	319
27-8041151	REC67F-11181-03	234	27-853525001	PAF8-05000009	278	27-96300	PAF4-03000018	319
27-804345A02	REC67F-W0001-00	225-236	27-853702	PAF8-05010005	204	27-96324M	REC6E0-W0001-C1	319
27-80613M	REC648-24434-01	90	27-853702005	PAF8-05010005	166-207	27-96542-1	REC27-96542-1	254
27-80614M	REC648-24435-02	90	27-8547801	PAF25-05010108	215	27-96602M	REC682-11351-A0	258
27-81031M	REC655-12414-A1	166	27-85487	REC27-85487	262	27-96618	REC682-45113-A0	277
27-812370	REC27-821370	279	27-85490-2	REC27-856729	262	27-96656M	REC689-41112-A0	170
27-81254M	REC663-11193-00	262	27-85491-2	REC27-854913	170	27-96761-1	REC27-967611	280
27-81266M	REC663-12414-00	167	27-85491A90	REC27-85491A90	255-260	27-97704M	REC6E9-11193-A0	262
27-812775-4	REC27-812775A01	276	27-85492-2	REC27-854924	275	27-97706M	REC6E9-12414-A1	251
27-812775-5	REC27-8127755	276	27-85608-1	REC27-856081	184-335	27-98185	REC951853	262
27-812867-1	REC27-8128671	167	27-85610-1	REC27-856704	184	27-981853	REC951853	262
27-8128672	REC27-8128672	167	27-85653-1	REC27-856730	276	27-98769-1	REC27-987691	279
27-812867A97	REC27-812867A97	249-256	27-85653A87	REC27-85653A87	257-261	27-99049M	REC683-W0001-21	322
27-812868	REC27-812868	279	27-856542-1	REC856542	280	27-99173-2	REC27-991734	276
27-812869	REC27-812869	279	27-857078	PAF60-05000004	170	27-99176-3	REC27-991764	259
27-8129391	REC346-01005-0	254	27-857081	REC8M0045278	234	27-99177-2	REC27-991772	259
27-81293910	REC3C8-01005-4	254	27-858524	REC27-858524	184-335	27-993163	REC27-993163	280
27-813331M	REC663-41114-00	170	27-8587321	REC68V-11351-00	237	27-99326-1	REC27-993261	182-295
27-813500M	REC6A1-W0001-23	315	27-858732T01	REC67F-W0001-00	236	27-99776-1	REC27-997761	259
27-813859	REC27-883775	280	27-858732T02	REC67F-W0001-00	236	27-99911M	REC6E0-11193-A1	243
27-813932-2	REC813932	259	27-859352	REC67C-11351-00	237	27-99993M	REC6E0-41114-A1	243
27-81417M	REC663-44315-A0	333	27-859352A02	REC67C-W0001-01	219-235-237	27-99995M	REC6E0-41112-A1	169-243
27-81418M	REC663-44316-A0	333	27-87736-1	REC27-877361	280	2704-821896A4	REC2704-821896A4	269
27-814195-1	REC27-8141951	280	27-880552A06	RM27-880552A07	236	2704-826191A4	REC2704-826191A4	269-271
27-81421M	REC663-44324-00	333	27-880552A07	RM27-880552A07	231	2704-826191T4	REC2704-826191T4	271
27-81440M	REC663-45123-00	275	27-880624003	REC27-880624003	237	2720-881054T10	REC2720-881054T10K	271
27-81440M	REC688-45123-00	275	27-880729	REC27-880729	307	2720-881054T3	REC2720-881054T10K	268
27-814555M	REC6E9-12414-A1	167	27-881325	REC68V-14984-00	87-88-97	2720-881055T10	REC2720-881055T10K	271
27-814754A00	REC27-814754A00	257-261	27-881325001	REC6C5-14984-00	87-97	2720-881055T3	REC2720-881055T10K	268
27-81570M	REC664-41114-A0	170	27-883213	REC27-883213	87-97	28-16155	PAT5-03000009	289
27-815791A92	REC27-815791A92	257-261	27-883252	REC27-883252	97	28-18856M	PAF4-04000019	217
27-817277-1	REC27-8172771	305-307-337	27-88449	REC27-88449	262	28-19699	REC28-8M0032831	346
27-819113	REC819113	279	27-88449A32	REC27-88449A32	256-260	28-30281	REC28-30281	327-335
27-819114	REC819114	279	27-88451-1	REC27-884511	258	28-42376A2	REC28-42376A2	68-293-346
27-81987	REC90430-08020	319-321-322	27-887810011	REC69J-11351-11	237	28-43037	REC28-8M0032833	305-307-337-346
27-81987M	REC90430-08020	315-320-325-333	27-887810A04	REC6P2-W0001-01	233-236-238	28-43037	REC28-8M0032833	346
27-822189	REC27-822189	69-183-301-303	27-887825	REC887825	170	28-56654	REC8M0032834	335-346
27-822217	REC27-822217	183-301	27-887848	REC69J-11181-03	233-235-238-240-261	28-56662	REC8M0032837	346
27-822420A94	REC27-822420A94	255	27-887848-1	REC69J-11182-03	233-235-238-240	28-803556	PAF8-05030007	207
27-822844T04	REC27-822844T04	254-261	27-888658	REC69J-41134-A0	277	28-803749	REC28-803749	346
27-823700-2	REC823700	259	27-8886586	PAF15-04000003	81	28-81603M	REC664-44338-00	325
27-824853	PAF15-07010022	166-209-215	27-888658A04	REC69J-W0001-20-00	175-190-313	28-81912M	REC90280-03024	320-321-323-333
27-825032	REC27-825032	234-238	27-889319	REC27-889319	97	28-81916M	REC90282-04010	325-329-333
27-825040	PAF15-07010009	209	27-889561	REC27-889561	274	28-822651	PAF15-07040007	211-217
27-8252310	PAF25-00000013	215	27-889618001	REC27-889618001	274	28-825666	PAGB/T1099-3X5X13	211
27-8254821	REC6G8-11181-A1	205-234	27-89221-1	REC27-892211	279	28-825666001	PAF4-04000019	207
27-825693	REC6G8-41112-02	205	27-89221A88	REC27-89221A88	257-261	28-83444M	REC90280-04M00	331
27-825701	REC6G8-12414-A0	205	27-892320	REC892320	274	28-85119	REC28-8M0032838	346
27-825847	REC6G8-11351-A0	205-236-237	27-895374006	RM27-8M0033476	235	28-8M0032831	REC28-8M0032831	303-346
27-825847A95	REC6G8-W0001-A3	205-235-237	27-895822	REC27-895822	274	28-8M0032837	REC8M0032837	346
27-826549	REC826549	259	27-896142	REC27-896142	237	28-8M0032838	REC28-8M0032838	295-301-346
27-826738	REC826738	275	27-896142A06/07	RM27-896142A07	229-236-238	28-95229	PAT3.6-04000006	207
27-826991M	REC664-41134-A0	275	27-897534	REC27-8M0024563	237	2806-	PAF25-05010000	215
27-827176M	REC6E9-41114-A0	170	27-897534A07	REC27-897534A07	226-235	0830267T3		
27-827284	REC27-827284	167	27-89937	REC27-89937	258	29-13304M	REC93310-727V7	251
27-827610	PAF25-05050007	215	27-8M0024563	REC27-8M0024563	237	29-47270	REC29-47270	268
27-828553A97	REC27-828553A97	256	27-8M0024565	RM27-8M0024565	234	29-67483	REC29-67483	266-268-269
27-828816	REC27-828816	81	27-8M0045278	REC8M0045278	234	29-818391	REC29-818391001	269
27-830270A98	PAF25-05040000	215-234	27-8M0057703	REC27-8M0142616	183	29-822553	REC29-822553	266-268-271
27-830298	PAF25-05010111	170-215	27-8M0057703	REC27-8M0057703	237	29-82350M	REC93602-14118	247
27-832934A00	REC27-832934A00	257	27-8M0057763	REC27-8M0057763	227-236	29-82353M	REC93603-21111	251
27-83338M	REC676-41112-A0	170	27-8M0062091	REC3C8-01005-4	254	29-84803M	REC93315-017U4	325
27-83383M	REC676-41133-A0	275	27-8M0069692	PAF25-00000013	236	29-88258	REC29-88258	252-269
27-83398M	REC676-44315-00	331	27-8M0075040	REC27-8M0075040	182	29-88258001	REC29-88258	268
27-83399M	REC676-44324-A0	331	27-8M0118180	REC67C-11181-01	234	30-11766T	REC93306-307U0	251
27-834777	REC67C-11181-01	234	27-8M0135597	REC27-8M0135597	87-97	30-11767T	REC93306-306V1	251
27-834952	PAF15-07010018	169	27-8M0135806	REC27-8M0135806	182	30-16049	REC30-16049	242-244-263
27-834952001	PAF8-05010004	169-207	27-8M0135806	REC27-8M0135806	182	30-16049T01	REC30-16049T01	248
27-834952002	PAF15-07010018	209	27-8M4502052	REC27-8M4502052	69-183	30-16132	PAGB/T276-6002	289
			27-8M6000365	REC27-8M6000365	227	30-1628	PAGB/T276-6004	289

RO/OEM	REF		RO/OEM	REF		RO/OEM	REF	
30-18859M	REC93306-204U0	243-247	32-83451M	REC676-44361-00	331	35-825467T02	REC6G8-13440-00	80
30-20839T	REC30-20839T	301-303-327	32-83452M	REC676-44361-10	331	35-825467T1	REC6G8-13440-00	80
30-30956	REC387247	337	32-84028M	REC682-44361-01	323	35-826964T	PAF15-07080000	78
30-62567T	REC30-62567T	263	32-84029M	REC682-44361-10	323	35-851848003	PAF8-05000024	207
30-63742	REC377139	263	32-88005	REC32-88005	151	35-853333T	REC35-853333T	79
30-63742T	REC377139	263	32-88006	REC32-88006	151	35-853733A2	REC35-8M0088825	78
30-64424	REC30-64424T	263	32-895153	PAF8-05000017	207	35-853733T02	REC35-8M0088825	78
30-64424T	REC30-64424T	263	32-94625M	REC683-44362-01	323	35-853733T03	REC35-8M0088825	78
30-67923	REC30-67923T	263	32193A2	REC1463-9382	119	35-8548091	PAF25-05010107	215
30-67923T	REC30-67923T	263	33-11458M	NGKBR6HS-10	245	35-877761K01	REC35-877761Q01	80
30-8037331	PAGB/T276-6204	291	33-41263M	NGKBR7HS-10	245	35-877761Q01	REC35-877761Q01	80
30-82291T	PAGB/T276-6004C2	319	33-803507	NGKDCPR6E	204-207	35-877767K01	REC35-896546T	80
30-82295M	REC93306-00612	325	33-82370M	NGKBR7HS-10	247	35-877767Q01	REC35-896546T	80
30-82296M	REC93306-00702	329-333	33-82371M	NGKBR7HS	251	35-877769Q01	REC35-883701K01	80
30-82299M	REC93306-204U0	245	33-827858	NGKDPR7EA-9	211-215	35-87946Q04	REC35-87946Q04	78
30-8528001	REC93306-00501	323	33-8M0057936	NGKZFR5F	69-122-227	35-87946Q3	REC35-87946Q04	78
30-8528001	REC93306-00519	321	332-2910	PH350-0003	138	35-879884T	PAF15-07080000	78
30-88957T	REC30-88957T	335-337	332-2986A21	REC332-2986A27	142	35-879885T	REC35-879885T	77
30-95347	REC30-95347	289	332-2986A22	REC332-2986A27	142	35-881323001	REC6C5-13915-00	78-87-88
300-8M0044991	REC300-8M0044991	118-227	332-2986A25	REC332-2986A27	142	35-881323T	REC68V-13915-00	79-88
300-8M0088059	REC300-8M0088059	146	332-2986A27	REC332-2986A27	142	35-883701K01	REC35-883701K01	80
30185T3	GS31079	73	332-4911A2-3-5-8	REC332-4911A8	141	35-884380T	RAC31871	78
30185T3	GS31080	73	332-5524, A1	REC300-01852	142	35-884380T	REC35-8M0122423	78
3030T/M	REC663-85540-15	142	332-5524A1-2	REC339-6222A10	140	35-888279	REC69J-24501-10	78-82
31-12576	REC31-12576	305	332-5772A1	REC300-03107	141	35-888279001	REC69J-24502-10	78-81
31-12578T	REC31-12578T	305	332-5772A2	REC300-03107	141	35-888289T2	REC65L-24563-00	77-82
31-13300T	REC93332-000UE	251	332-5772A3	REC300-03107	141	35-892758001	REC6C5-24251-00	77-81
31-16052	REC31-16052	244-248-267	332-5772A5	REC300-03107	141	35-893318T02	REC35-893318T02	70-79
31-16756A4	REC31-16756A4	265-267	332-5772A7	REC300-03107	141	35-895152002	PAF8-05000800	207
31-16756A6	REC31-16756A6	263-271	332-7778, A1, A3, A5, A6, A9, A12, A14	REC300-01852	142	35-896247	REC35-896247	69-79
31-17514A1, A2	REC31-17514A2	267	338-4733A2	REC332-4911A8	141	35-896546T	REC35-896546T	80
31-21700	REC31-21700	301-303-327	339-5212A1	REC339-6120A1	144	35-897575T01	RM35-8M0082911	79
31-21739	REC31-21739	295-303-327	339-5287	REC339-6222A10	140	35-897575T02	RM35-8M0082911	79
31-30894A1	REC31-30894A1	305-335-337-339-340-341	339-5313A1	REC339-6120A1	144	35-898101T68	REC35-8M0088825	78
31-30895	REC31-30895T	305	339-5589A1	REC339-6120A1	144	35-8M0020349	RAC31871	78
31-30895T	REC31-30895T	335-337	339-5590A1	REC339-6120A1	144	35-8M0020349	REC35-8M0122423	78
31-30956	REC387247	305	339-6119A1	REC339-6120A1	144	35-8M0088825	REC35-8M0088825	78
31-30956T	REC387247	335	339-6120A1	REC339-6120A1	144	35-8M0095658	REC35-8M0157620	74
31-32898T	REC31-32898T	335	339-6120A1-4-6-8-10	REC339-6222A10	140	35-8M0101436	REC6D8-W524A-00	78
31-35928A1/T1	REC31-35928T1	337-340-341	339-7370A13	REC300-08309	117	35-8M0117705	REC6D8-W524A-00	78
31-36387A1	REC31-36387A1	335-337	339-7452 A2, A3	REC899883230	141	35-8M0123025	REC35-8M0123025	70-80-82-83
31-38356A1	REC31-38356A1	327	339-7452A19	REC339-7452A19	141-147	35-8M0134466	REC35-8M0134466	68-78-81
31-41326	REC31-41326	295-301	339-778A1-3-5-6-9-12	REC339-6222A10	140	35-8M0149607	REC35-8M0149607	77-81
31-42647A1	REC387817	307-335-337	339-803559A02	PAF8-05000500	117	35-8M0157133	REC16910-GB2-005	77
31-42677A1	REC31-42677A1	305	339-803706A1	REC8M0071855	116	39-11462M	REC661-11610-00	243
31-43012A1,A2	REC31-43012A1	267	339-803844T01	REC803844T01	116	39-11768T	REC6F5-11610-00	251
31-43012T3	REC31-43012T3	267	339-804271T	REC67F-85570-00	118	39-11769M	REC6F5-11610-10	251
31-54928-1	REC382343	335	339-804271T	REC67F-85570-00	118	39-11770T	REC6F5-11610-20	251
31-62596A1	REC31-62596A1	266-267-271	339-825101T	REC339-825101T	118	39-14197M	REC6J1-11610-00	243
31-6291T	REC31-62091T	327	339-85699A1	REC300-08310	119	39-14235M	REC689-11610-00	271
31-63079A1	REC31-53079A1	335	339-858942T1	PAF40-05000200	117	39-15320M	REC682-11610-01	271
31-67445	REC378252	267	339-859738T1	PAF25-05120000	117	39-16054A5	REC39-16054A5	248-271
31-72961	REC30-72961	242	339-877807A2	REC339-877807A2	117	39-18563A12	REC39-18563A12	271
31-74248T	REC31-74248T	265-267	339-879147T71	PAF20-05000400	117	39-18563A12	REC39-18563A12	268
31-77420A1	REC31-77420A1	303-327	339-879984A01	REC300-8M0077471	118	39-19721A6	REC39-19721A6	268-271
31-78172A1	REC31-78172A1	335	339-879984T00	REC300-8M0077471	118	39-2784112	RM39-27841A12	272
31-803675 2	REC31-8036752	267	339-879984T01	REC300-8M0077471	118	39-803678A1	REC39-803678A1	271
31-8036752	REC31-8036752	244	339-880615T01	REC339-880615T01	118	39-803678A3	REC39-803678A3	244-271
31-812767A1	REC983892	303-339-341	339-883778A02	REC339-8M0077473	118	39-80422M	REC647-11610-00	247
31-812768	REC31-812768	303	339-883778A01	REC339-8M0077473	118	39-80423M	REC647-11610-10	247
31-812873A1	REC31-812873A1	263-264	339-895110T01	PAF8-05040000	100	39-80424M	REC647-11610-20	247
31-813048	REC31-813048	244-267-271	339-895110T11	PAF8-05040000	100	39-813011A12	REC39-813011A12	269-270-272
31-813048 2	REC31-8130482	267	339-898103T	REC678-85570-01	117-119	39-817096A6	REC39-817096A6	269-271-272
31-8130482	REC31-8130482	248	339-898103T	REC678-85570-01	117-119	39-821695A4	REC39-821695A4	268-271
31-816773A1	REC31-816773A2	263-265	339-895110T10	PAF8-05040000	100	39-822321A12	REC39-822321A2	269
31-818889A1	REC31-818889A1	249	339-895110T11	PAF8-05040000	100	39-822321A2	REC39-822321A2	269
31-821321A1	REC31-821321A1	293-301	339-895110T11	PAF8-05040000	100	39-893525A01	REC67C-11603-00	242
31-82315M	REC93315-22004	325	339-895110T11	PAF8-05040000	100	39-8M0055809	REC39-8M0055809	207-242
31-82316M	REC93315-32224	331-333	339-898103T	REC678-85570-01	117-119	39-93481A12	REC39-93481A12	270-272
31-82317M	REC93317-22204	329-333	34127T2	CM34127	197	39-1100A3	REC39-1100A3	154
31-82319M	REC93332-00001	333	34127T2	CM34127A	197	39-1130A1	REC39-1130A1	154
31-82320M	REC93332-00003	329-333	3427T2	CM3427A	197	398-173	REC398-173	118
31-82321M	REC93332-00005	325	3427T2	CM3427A	197	398-174	REC398-174	154
31-82321T	REC93332-00005	323	345-00042-0	REC345-00042-0	248-249-271	398-2202	REC398-2202	154
31-828439A2	REC31-828439A2	337	34762A1	CM34762	197	398-4770	REC398-5255	145
31-834960	PAF15-07010024	209	34762A1	CM34762A	197	398-5255	REC398-5255	145
31-834960T08	PAF8-05010009	207	35-16248	PAF4-05000300	68-77	398-5256	REC398-5255	145
31-84086M	REC93315-317U2	323	35-18458Q4	REC35-18458Q4	74	398-5454A11-		
31-855553	REC31-855553	249	35-802893Q01	RM35-802893Q01	74	A15-A16-A30-		
31-879877A1	REC31-879877A1	266-267-271	35-802893Q4	REC24950	74	A31-A32-A34-	REC398-5454A35	144-148
31-88269T	REC5007190	267	35-80365M	REC35-80365M	77	A35-A36-A61-		
31-884325T01	REC31-884325T01	307	35-816296Q03	REC40145	77	A64-A66		
31-91721M	REC93310-112V0	243-245	35-816296Q2	REC40155	77	398-5454A2	REC398-5454A7	146
31-94769M	REC93310-418U0	247	35-822626Q03	PAF15-07010023	209	398-5454A2, A5, A6, A7, A8, A9, A17, A18, A55	REC398-5454A17	144-148-149
31-98294A1	REC31-98294A1	295	35-822626Q03	REC35-822626Q03	80			
31-98933M	PAT40-04000027	331	35-822626Q04	REC5GH-13440-00	209-215	398-5454A26	REC398-5454A26	145
31-99030M	REC93341-214U1	322	35-822626Q03	PAF25-05000100	215	398-5454A7	REC398-5454A7	146
31-99328A1	REC31-66668A1	295-301-333	35-822626Q0480	REC35-822626Q04	80	398-5704A2-		
31640Q4	CM31640	305-327-337	35-822626Q15	REC35-822626Q03	80	A4-A5-A7	REC398-5704A7	145
31640Q4	CM31640A	305-327-337	35-822626Q15	REC35-822626Q15	80			
32-16167	PAT5-03000012	289	35-822626Q2	REC35-822626Q04	80	398-693	REC398-693	154
32-80396M	REC6A1-44361-00	315	35-822626T7	REC35-822626Q15	80	398-818535A17-18	REC398-832074A4	145
			35-825467A1	REC6G8-13440-00	80			

RO/OEM	REF	RO/OEM	REF	RO/OEM	REF
398-818535A3-5-8-9-10-13-14-15	REC398-8778A29	43-96310M	REC6E0-45551-00	47-19453Q2	REC47-19453QZ
398-832075A20	REC398-832075A20	43-96312M	REC6E0-45560-00	47-19453T	REC47-19453T
398-832075A3-A4-A5-A6-A9-A12	PH400-0002	43-96316M	REC6E0-45570-00	47-20813	REC47-20813
398-852386A4	REC398-852386T8	43-99043T	REC6E7-45560-01	47-22748	REC47-22748
398-852386T8	REC398-852386T8	43-99044T	REC6E7-45570-00	47-42038-2	REC47-420382
398-852387A4	REC398-852387T9	43012A 1	REC31-43012A1	47-42038Q3	REC47-42038Q3
398-852387T9	REC398-852387T9	43013T 3	REC31-43013T3	47-42038T4	REC47-42038Q3
398-855721A4	REC398-855721T8	43023-2	REC43023-2	47-43026Q06	REC47-43026Q06
398-855721T8	REC398-855721T8	43026T2	REC47-43026Q02	47-43026T11,T8	REC47-43026Q06
398-8778A10-16-17-18-21-22-23-24-25-26-27-28-29	REC398-8778A29	43055A4	REC43055A4	47-43026T2	REC47-43026Q02
398-878143T05	REC398-878143T05	430775/M	REC695-85540-11	47-803630T	REC47-803630T
398-878143T3	REC398-878143T05	43113M	REC692-24410-00	47-803748K01	REC47-803748K01
398-9610A18	REC398-9610A18	43113T	REC692-24410-00	47-803748Q01	REC47-803748K01
398-9610A3-A5-A6-A9-A14-A19-A22-A24-A33	REC398-9610A19	43242-3	REC43242-3	47-803748Q01	REC47-803748K01
398-9710A11-12-14-15-22-23-25-28-30-31-33-34-36-38-39-43-45-46-47-48-49	REC398-832074A4	43242-5	REC43242-5	47-80395M	REC646-44352-01
398-9873A22-A28	PH400-0002	43242-6	REC43242-6	47-81423M	REC6H3-44352-00
398-9873A9-17-19-24-25-28-29-32-33-35-38-39	REC398-832074A4	43242-9	REC43242-9	47-82824M	REC6H3-44352-00
40-825017	PAF25-05020106	44-11599M	REC6G1-45611-01	47-84027T	REC682-44352-01
40-893529	PAF25-05020106	44-12238T	REC44-12238T	47-84797M	REC689-44352-02
400-834957	PAF15-07030000	44-19124M	REC689-45611-00	47-85089-10	REC47-8508910
400-834957T01	PAF8-05020001	44-195133	PAT5-03000400	47-85089-3	REC47-8508910
41-11771T	REC6F5-11633-00	44-81472M	REC697-45611-00	47-85089Q4	REC47-85089Q4
41-16041	REC41-16056	44-824110	REC44-824110	47-85089T7	REC47-85089T7
41-803680002	REC41-803680002	44-84078M	REC683-45611-00	47-89980	REC47-89980
41-803680003	REC41-803680003	44-850308	REC44-850308	47-89980T1	REC47-89980T1
41-80368003	REC41-16056	44-94148	REC44-94148	47-89981	REC47-89981
41-8036801	REC41-8036801	44-94531M	REC679-45611-00	47-89981Q1	REC47-89981Q1
41-825016	PAF25-05020105	44-96314M	REC6E0-45611-01	47-89981T2	REC47-89981Q1
41-825713	PAF15-07020006	45-16135 1	REC45-161351	47-89982	REC47-89982
41-825713001	PAF8-05020105	45-16136 1	REC45-8M0076368	47-89982T1	REC47-89982T1
41-825713002	REC41-825713002	45-81451M	REC663-45510-01	47-89983Q1	REC47-89983Q1
41-893863	PAF25-05020105	45-816472	REC45-816919	47-89983T	REC47-89983T
41-95601M	REC6G1-11633-00	45-83867M	REC679-45501-10	47-89983T2	REC47-89983T2
41305M	REC696-85540-12	45-84801M	REC689-45501-10	47-89983T3	REC47-89983T3
41884M	PAG6B/T5783-M8X55	45-854808A1	REC45-854808A1	47-89983T4	REC47-89983T4
42121A2	CM42121	45-858765T1	REC45-858765T1	47-89984Q5	REC47-89984Q5
42121A2	CM42121A2	45-859105A1	REC45-859105A1	47-89984T4	REC47-89984T4
42431M	REC689-W0078-A6	45-875222A1	REC45-875222A1	47-89984T6	REC47-89984T6
42461A1	REC42461A1	45-878575T1	REC45-878575T1	47-8M0142980	REC47-8M0142980
42600A1/3/5/09	REC42600A09	45-96307M	REC6E0-45511-01	47-95289	REC47-952892
42647A1	REC387247	45-96308M	REC6E0-45511-11	47-95611M	REC662-44352-01
42909A3	REC42909A3	45-99032M	REC6E7-45501-00	47-96305M	REC6E0-44352-00
42943A 1	REC42943A1	46-16156	PAF6-03000001	47-97108M	REC6H3-44352-00
42943A1	REC42943A1	46-42040A5	REC46-42040T5	47-99971M	REC6F5-44352-00
43-11579M	REC6N0-G5551-00	46-42040T5	REC46-42040T5	48-13700A46	SOL1511-153-19
43-11595M	REC6N0-G5560-00	46-42089A2	REC46-42089A2	48-13700A46	SOL1511-153-19
43-11647M	REC6N0-G5571-00	46-42089A5	REC46-42089A5	48-13701A46	SOL1512-153-19
43-16138	REC43-16138	46-42579A3	REC46-8M0077147	48-13701A46	SOL1512-153-19
43-44104T2	REC43-44104T2	46-43024A7	REC412094	48-13702A46	SOL1511-153-21
43-803498T1	REC43-803498T1	46-60366Q1	REC46-60366T1	48-13702A46	SOL1511-150-21
43-803499T1	REC43-803499T1	46-60366T1	REC46-60366T1	48-13703A46	SOL1512-153-21
43-80405M	REC646-45551-00	46-60367A1	REC46-96148A8	48-13703A46	SOL1572-150-21
43-80406M	REC646-45560-00	46-70941A1	REC46-70941T01	48-13704A46	SOL1571-148-23
43-80542M	REC647-45560-00	46-70941A3	REC46-70941A3	48-13705A46	SOL1572-148-23
43-80544M	REC647-45570-00	46-73640A1	REC46-73640A1	48-16986A46	SOL1431-135-15
43-822163T1	REC43-822163T1	46-73640A2	REC46-73640A2	48-16988A46	SOL1431-133-17
43-82542M	REC647-45551-00	46-77177A1	REC46-77177A1	48-16990A46	SOL1431-130-19
43-828073A1	REC43-828073A1	46-77177A3	REC46-77177A3	48-16992A46	SOL1431-130-21
43-834955	PAF15-07030003	46-77822A1	REC46-77822A1	48-17312A46	SOL1431-140-11
43-834955001	PAF8-05010014	46-812966A11	REC46-812966A12	48-17314A46	SOL1431-138-13
43-834973	PAF15-07040018	46-812966A12	REC46-812966A12	48-18278A46	SOL1511-155-17
43-834973001	PAF8-05030400	46-812966A7	REC46-812966A7	48-18278A46	SOL1571-155-17
43-83877M	REC679-45560-00	46-81416M	REC663-44311-02	48-19636A10	SOL1211-110-09
43-83879M	REC679-45571-00	46-81422M	REC663-44311-02	48-19638A40	SOL1211-105-11
43-84206M	REC697-45560-00	46-821307A2	REC46-821307A2	48-19639A40	SOL1211-103-12
43-84207M	REC697-45570-00	46-826053T	PAT5-03000201	48-19640A40	SOL1211-101-13
43-84208M	REC697-45551-00	46-83396M	REC676-44311-00	48-19642A40	SOL1211-100-14
43-84806M	REC689-45551-00	46-83864M	REC679-44341-00	48-19838A46	SOL1511-158-15
43-84808M	REC689-45560-00	46-84277M	REC682-W0078-A1	48-19841A46	SOL1512-158-15
43-84810M	REC689-45571-00-00	46-84277T	REC682-W0078-A1	48-73140A40	SOL1311-110-15
43-859321A3	REC43-859321A3	46-84277T	REC682-W0078-A1	48-7338A45	SOL1411-140-11
43-86869M	REC6H9-45551-00	46-8M0061040	REC46-8M0061040	48-7338A45	SOL1413-133-13
43-878087A2	REC43-878087A2	46-8M0113799	REC12094	48-7338A45	SOL1431-140-11
43-8822163T1	REC43-822163T1	46-93224A1	REC93224A1	48-7340A45	SOL1411-138-13
		46-95651M	REC689-44311-00	48-7340A45	SOL1413-130-15
		46-96146A6	REC46-96146A6	48-7340A45	SOL1431-138-13
		46-96148A8	REC46-96148A8	48-7341A45	SOL1411-135-14
		46-96148T1	REC46-96148T1	48-7342A45	SOL1411-135-15
		46-96299M	PAF4-03000019	48-7342A45	SOL1413-128-17
		46-99157A02	REC46-99157A02	48-7342A45	SOL1431-135-15
		46-99157T2	REC46-99157T2	48-7344A45	SOL1411-133-17
		463-9327M	REC6F6-11400-02	48-7344A45	SOL1413-125-19
		47-11590M	REC6G1-44352-00	48-7344A45	SOL1431-133-17
		47-16154 3	REC47-161543	48-7346A45	SOL1411-130-19
				48-7346A45	SOL1413-125-21
				48-7346A45	SOL1431-130-19
				48-7348A45	SOL1411-130-21
				48-7348A45	SOL1431-130-21
				48-78116A45	SOL1511-150-15
				48-78116A45	SOL1513-148-15

RO/OEM	REF	RO/OEM	REF	RO/OEM	REF
48-815083	SOL0001-073-06P	349	50-822462	PH130-0024	127
48-816702A40	SOL1311-114-12	349	50-822462T1	PH130-0024	127
48-816702A40	SOL1313-108-12	349	50-825991A2	PH130-0014	126
48-816704A40	SOL1311-111-13	349	50-830308T	PH130-0029	126
48-816704A40	SOL1313-105-13	349	50-832997 1	PH130-0031	130
48-816706A40	SOL1311-111-14	349	50-832997 2	PH130-0031	130
48-816706A40	SOL1313-105-14	349	50-833153	PH130-0030	130
48-828152A12	SOL1111-093-07	349	50-833153-1	PH130-0030	130
48-828154A12	SOL1111-093-08	349	50-833153-2	PH130-0030	130
48-828156A12	SOL1111-093-09	349	50-833153-5	PH130-0030	130
48-828158A12	SOL1111-093-10	349	50-834749	ARC5362	127
48-832828A45	SOL1511-148-17	350	50-852570T	PH130-0034	126
48-832828A45	SOL1513-145-17	350	50-853329T	PH130-0066	129
48-832830A45	SOL1511-145-19	350	50-853329T01	PH130-0066	129
48-832830A45	SOL1513-143-19	350	50-853805T03	PH130-0006	126
48-832832A45	SOL1511-143-21	350	50-853869	PH130-0009	129
48-832832A46	SOL1513-140-21	350	50-853869-T	PH130-0009	129
48-832834A45	SOL1511-142-23	350	50-854636T	PH130-0028	126
48-832834A46	SOL1512-142-23	350	50-856996T	REC86976	129
48-834850A45	SOL1513-145-17	350	50-857065	PH130-0034	126
48-834852A45	SOL1513-143-19	350	50-859168	PH130-0034	126
48-834854A45	SOL1513-140-21	350	50-859168T	PH130-0034	126
48-85632A40	SOL1311-116-11	349	50-859169T	PH130-0029	126
48-85632A40	SOL1313-111-11	349	50-859170T	PH130-0028	126
48-87818A11	SOL1311-121-09	349	50-859171T	ARC5362	127
48-87818A11	SOL1313-118-09	349	50-859377T	PH130-0033	127
48-895180A10	SOL5011-085-07	349	50-86976	REC86976	129
48-895182A10	SOL5011-085-08	349	50-87788	PH130-0010	128
48-90159A46	SOL1512-155-17	350	50-879150A85	REC50-879150A85	128
48-90159A46	SOL1572-155-17	350	50-88119	PH130-0041	127
48752T	REC48752T	335	50-881368T	PH130-0057	129
50-29105	PH130-0010	128	50-881368T1	PH130-0057	129
50-30829	PH130-0040	127	50-881368T2	PH130-0057	129
50-30842	PH130-0010	128	50-884044T	PH130-0033	127
50-31976	PH130-0010	128	50-884045T	PH130-0028	126
50-32403	PH130-0040	127	50-884238T	PH130-0046	129
50-32411	PH130-0010	128	50-888151T	PH130-0029	126
50-37274	PH130-0010	128	50-888160T	PH130-0028	126
50-37345	PH130-0040	127	50-888161T	PH130-0033	127
50-38890	PH130-0040	127	50-888333T	PH130-0074	130
50-38890A1	PH130-0040	127	50-888333T1	PH130-0074	130
50-41583	PH130-0072	127	50-892339T	PH130-0066	129
50-41583T	PH130-0072	127	50-893886T	PH130-0029	126
50-44369	PH130-0011	127	50-893888T	PH130-0033	127
50-44369A1	PH130-0011	127	50-893889T	PH130-0021	126
50-44369A1	PH130-0015	127	50-893890T	PH130-0024	127
50-44369A1	PH130-0041	127	50-893891T	PH130-0019	128
50-44415	PH130-0046	129	50-893891T	PH130-0041	127
50-45822	PH130-0010	128	50-893892T	PH130-0066	129
50-48643	PH130-0010	128	50-893897T	PH130-0028	126
50-55304A-1	PH130-0010	128	50-897525T05	REC50-879150A85	128
50-55601A	PH130-0040	127	50-897755T	PH300-0047	137
50-55601A2	PH130-0040	127	50-898103T94	REC50-879150A85	128
50-57465A1	PH130-0042	128	50-898103T95	REC50-879150A85	128
50-57485	PH130-0041	127	50-898265001	ARC5362	127
50-58330	PH130-0042	128	50-8M003398A	PH130-0021	126
50-583869	PH130-0047	128	50-8M0166297	REC50-8M0166297	129
50-60315	PH130-0041	127	50-8M0088064	REC50-8M0166297	129
50-60975	PH130-0042	128	50-8M0159603	REC50-8M0166297	129
50-616955-1	PH130-0047	128	50-90983A1	PH130-0021	126
50-65436	PH130-0041	127	50-90983T1	PH130-0021	126
50-66015	PH130-0019	128	50-92669M	PH130-0007	128
50-66015	PH130-0041	127	50-96359M	PH130-0049	126
50-66015-2	PH130-0041	127	50-97693M	PH130-0049	126
50-66015T1	PH130-0019	128	52-11597M	REC6G1-45631-00	320
50-673341	PH130-0010	129	52-42389	REC52-42389	293
50-72467	PH130-0042	128	52-812946	PAT5-03000403	289
50-73521	PH130-0011	127	52-81473M	REC663-45631-00	329-333
50-73521	PH130-0015	127	52-81473M	REC663-45633-00	329
50-73521T	PH130-0011	127	52-81644M	REC664-45631-01	325
50-77141	PH130-0046	129	52-81644T	REC664-45631-00	342
50-79472	PH130-0046	129	52-84274M	REC682-45631-00	342
50-803835T02	PH130-0061	126	52-850048T	REC52-850048T	303-305-342-343
50-804312T1	PH130-0055	129			
50-814980M	PH130-0049	126	52-853594T	REC52-853594T	335-337-342-343
50-814980M	PH130-0062	127			
50-818445-2	PH130-0023	130	52-859340T	REC52-859340T	335-337-342-343
50-818445-3	PH130-0023	130	52-96313M	REC6E0-45631-00	319
50-818445-5	PH130-0023	130	52-96313M	REC6E5-45631-00	342
50-819085	PH130-0047	128	53-11760M	REC93440-68M03	251
50-819085-1	PH130-0047	128	53-16057	PAF15-07020005	207-242
50-819085-T1	PH130-0047	128	53-16057	REC53-16057	244-248-249
50-819271	PH130-0025	128	53-29641	REC53-29641	303-305-327-335
50-819968	PH130-0009	129			
50-819968-1	PH130-0009	129	53-80678M	REC648-45633-00	325
50-819968-2	PH130-0009	129	53-81264M	REC663-11634-00	251-271
50-819968-3	PH130-0009	129	53-82331M	PAGB/T896-86	315-319
50-819968-4	PH130-0009	129	53-82331M	REC99001-06600	320
50-819968T4	PH130-0009	129	53-82334M	REC99001-08600-00	333
50-820193	PH130-0022	128	53-82342M	REC93450-13022	243-245-247
50-820193-1	PH130-0022	128	53-82343M	PAF15-07020005	209
50-820193-T1	PH130-0022	128	53-82345M	PAF15-07020005	242
50-820193A1	PH130-0025	128	53-880719	REC53-880719	307
53-8M0051043	REC53-8M0051043	307			
54-816311T	PAF8-05000025	207			
54-952245	PAF4-04000030	72-204-215-247			
54293A10	REC54293A10	134			
55278A4	REC55278A4	90-94			
55278A5	REC55278A5	90-94			
56678A1	REC56678A1	91-93-94			
57-828507 1	REC57-828507001	137			
57-828507Q4	REC828507Q4	137			
57-831294	PAF25-05000023	221			
57-835392Q	REC66M-46241-00	272			
57-880566Q14	REC57-880566Q14	137-273			
57-892318	REC892318	137			
57-895120	PAF8-05000004	207-272			
57-897574Q01	REC57-897574Q01	137-273			
57-8M0031641	REC57-8M0031641	137-273			
57-8M0065179	REC65W-46241-00	272-273			
57-8M0072670	REC57-8M0072670	272-273			
57-8M0135591	REC57-8M0135591	272-273			
57-8M0142251	REC57-8M0142251	137-273			
600-834961002	PAF8-05020200	207-242			
600-834961A1	PAF15-07020100	209-242			
629-803674	REC629-803674	248-270			
629-8036741	REC629-8036741	244-270-271			
629-813047T01	REC629-813047T01	248-270-271			
629-880855	REC629-880855	249-270			
629-9486T	REC6F5-11651-00	251			
629-9492M	REC6E0-11651-01	243-247-270			
63742T	REC377139	249			
646-818846	REC646-818845T6	271			
646-8188461	REC646-818845T6	271			
64877-1	REC648771	168			
650-825018A1	PAF25-05020200	217			
65057A1	PH375-0031	132			
652-831876A1	PAF25-05020310	217			
68100-1	REC681001	335-337			
681621, A5, A8	REC96455A9	143			
68162A3	REC96455A8	143			
68162A6	REC96455A8	143			
7-803538	PAF15-07010100	111-113			
7-98952M	REC697-45114-00	277			
700-834963	PAF15-07020001	209-242			
700-834963A02	PAF8-05020101	207-242			
700-893524T08	PAF40-05020101	242			
701-8318751	PAF25-05020301	217			
702-833098A1	PAF25-05020101	217			
705-850026A3	REC705-850026T1K	268			
705-850026A3	REC705-850026T3	271			
71-8M0142688	REC8M0142688	111			
73345A1	REC73345A1	301-303-327-344-352			
73372A1	REC96452A4	143			
73410A1	REC96452A4	143			
75282A1	REC13191Q01	352			
75692A6	REC75692A6	164-166			
75692A7	REC75692A7	164-166			
75692Q2	REC75692Q2	164-166			
76039-4	REC76039-4	303-305-327			
761-7982M-T	REC6E7-11631-00K	271			
761-8224M	REC677-11631-00K	247			
761-8225M	REC677-11635-00K	247			
761-8226M	REC677-11636-00K	247			
761-8256M	REC6E0-11631-00-98K	243-270			
761-8484M	REC689-11631-00K	271			
761-9329T	REC6F6-11631-00K	251			
761-9331T	REC6F6-11636-00K	251			
76214-4	TEN00835	201			
76214Q5	CM76214	307			
76214Q5	CM762145	337			
76214Q5	CM762145A	307-337			
765-7441T32	REC765-7441T32	268-270			
765-7441T36	REC765-7441T36	268-270			
765-7442T32	REC765-7442T32	268-270			
765-7442T36	REC765-7442T36	268-270			
765-7445A12	REC765-7445A12	268-270			
765-7445T11	REC765-7445T11	268-270			
765-7446A11	REC765-7446A11	268-270			
765-7446T12	REC765-7446T12	268-270			
766-8666T41	REC766-8666T41	269-270			
766-8667T41	REC766-8667T41	269-270			
76681A1	REC96452A4	143			
774-9009A13	REC777-9009T13	252-26			

RO/OEM	REF		RO/OEM	REF		RO/OEM	REF	
779-96152	REC779-96152	249-270-271	814576M	PAGB/T97.1-8	311	826729A/08	REC826729A10	152
779-9615T	REC779-9615T	244-270-271	814653T	REC31-814653T	309	826729A07	REC826729A10K	153
780-9229A7	REC780-9229A7	268-271	81474M	REC663-45633-00	333	826729A08	REC826729A10K	153
783-9613A1	REC783-9613A1K	271	81475M	REC663-45634-00	329-333	826729A09	REC826729A10K	153
783-9613T1	REC783-9613A1K	268-270-271	81476M	REC688-45635-00	333	826729A4	REC826729A10	152
783-9613T3	REC783-9613T3	268-271	81490M	PH130-0007	128	826729A4	REC826729A10K	153
785-9737T9	REC785-9737T9	269-270	815083A01	SOL0001-073-06P	287	826729A4/07	REC826729A10	152
785-9738T9	REC785-9738T9	269-270	815113T02	REC815113T02	116	826729AA10	REC826729A10K	153
802136A1	MP39760	131	815118M	REC6F5-15396-01-5B	251	826729T2	REC8M0143219	153
802529T02	REC803529T06	84	815279A1-2-3	REC883072T	139	826887M	CM826887M	198
802706A1	REC66M-W0093-01	92-101-103	815279A2	REC815279A2	139	826887M	PAF25-02010005	215
802733A98	PAF15-07000000	211	815279T-2-4-5	REC883072T	139	826887M	TEN00831	202
803061T1	REC803061T1	164-166	81579-1-2-3-4-5	REC883072T	139	827142M	REC6F5-11422-11	251
803529T	REC803529T06	84	81579-1-2-3-4-5	REC883072T	139	827143M	REC6F5-11432-11	251
803529T03	REC803529T06	84	81626M	PAF15-06000010-1	323	827144M	REC6F5-11442-11	251
803529T06	REC803529T06	84	816311T	PAHT-2.5X60	215-219-223-225-247	827509A10,T7	REC827509A10	119
803529T1	REC803529T06	84	816311T	REC54-816311T	223-225	827616T 1	REC493-827616T1	252-253-270
803702T	REC803702	116	816597A1	REC816597A1	345	827675A1	REC827675A1	151
803704T	REC803704	140	816770T	PH350-0003	138	827682T	REC899106T01	84
803706A3	REC3G2-06060-2	141	817275A08	REC817275A08	187-189-191	827954T	REC2411-827954T2	249-270
803739T02	REC43-803739T03	297	817275A09	REC817275A09	187-307	827955A 2	REC827955A2	249
803740 1	PAF8-04000003	291	817275A1	REC817275A1	180-196-307-309	827955A2	REC827955A2	267
803740T02	REC43-803740T02	297	817275A1	REC817275A1	180-191-194-195-305	827955M	CM664-45371-01	325
803741 1	PAF8-04000014	291	817275A2	REC817275A2	180-337	82801M	PAT85-00000012	311
803741T02	REC43-803741T03	297	817275A5	REC817275A5	188	828151A1	REC882751A1	133
803744T03	REC879147T96	297	817275A6	REC817275A6	188-196-336	828708T	PH200-T010	152
803745 1	PAF8-04000303	291	817275A6	REC817275A6	181-305-307-337	82881M	REC650-44147-00	331
803748 1	PAF8-04000200	68-291	817276-1	REC8172761	249	830179-2	REC883072T	139
803750A02	PAF8-04000009	179-291	817397 1	REC26-8173971	337	830179T	REC883072T	139
8037632T03	PAF8-04040001	291	818186A6	REC826729A10K	153	830250A3-T3	PH200-T003	151
803844T01	PAF8-05000300	119	818298A1	CM818298A	198	830250A6	PH200-T033	152
80393M	REC646-44322-00	315	818298A1	CM818298A	198	830271T2	PAF25-05050100	215
80394M	REC646-44322-00	315	818349A1	REC818349T1	346	830272A1	PAF25-05000005	215
804101T	REC67F-11416-00	225	818349T1	REC818349T1	337	831255A 6	REC39-831255A6	249
804101T10	REC67F-11416-10	225	818763A11/T11	REC818763A10	337	832021A1-T4-A2-T2	PH200-T003	151
804101T20	REC67F-11416-20	225	818846T 6	REC646-818845T6	252-253	832734A2	PAF25-05010109	215
804107T1	REC6D8-11603-10	225	818903A1	PH200-T003	151	83282M	REC6E5-12411-02	243
804108T1	REC6D8-11604-10	225	81924M	REC90340-08002	311	832990T3	PAF25-05050001	221
804128T	REC68V-12111-00	235	819479A1	PH200-T003	151	832991T3	PAF25-05050002	221
804278T	REC67F-81960-12	138	819480A1	PH200-T003	151	833102T	PAF25-05000021	221
804278T11	REC67F-81960-12	138	819762A4-A7	PH200-T003	151	83330M	TEN01166	251
804281T	PH375-0047	132	81977A8-A9	PH200-T003	151	83384M	REC676-45127-00	275
804282T	PH375-0048	132	81990M	PAF15-04000003	225-233	83386M	REC676-45128-00	275
804295T	REC804295T	110-113-114	821354-2	REC8213542	181-191-193-194-301	83394M	TEN01127	251
804346T01	REC67F-W0093-00	103	821354A04	REC821354A04	186-188-301	83400M	REC676-44323-00-40	331
804346T02	REC67F-W0093-00	103-225	821354A2	REC821354A2	185-191-193-194-301	83403M	REC676-44322-00	331
804346T1	REC67F-W0093-00	103	821400A2	REC8M0098264	153	83419M	REC676-45635-00	329
80447M	REC626-14390-90	104	821509T01	PAF40-05091400EI	133	834520T	REC854512T	142
80450M	REC647-14385-00	105	821509T01	REC882751A04	133	834780T1	PAF40-05040001	221
80591M	REC648-14385-00	106	821663A1	PH300-0019	136	834781T1	PAF40-05040200	221
80606M	REC648-24411-00	89	821889A9, A22, A29, A34, A38, A40, A42, A46, A50, A51	REC821889A50	149	834821T	REC854513T	143
806529A1	REC1463-9382	119	821896A 4	REC2704-821896A4	253-271	834953T02	PAF15-07010019	209
80678M	REC648-45633-00	323	821932-1	REC8219321	293	834967A1	PAF15-07040500	211-241
80680M	REC648-45635-00	325	822157T2	CM822157T2	197-301	834967T03	PAF8-05030300	207-241
807929A1	REC807929A1	179-196-337	822157T2	TEN00829AL	301	835389A2	PAF15-07140000	84
808504T1	REC66K-13915-00	79	822321A 2	REC39-822321A2	253	835389T02	PAF15-07140000	84
808505T	REC899106T01	84	822462T1	PH130-0024	127	835389T1	PAF15-07140000	84
808505T01	REC67H-13907-00	86	82257M	REC93106-09014	313	835467Q01	REC12-835467Q01	353
80889T01	REC63P-13907-03	85	822626K03	REC35-822626Q03	213	838-9002A6	REC638-9002A6	252-270
809088T01	REC67H-13907-00	86	822626K04	REC35-822626Q04	219	83859M	TEN01101	329-333
809088T1	REC67H-13907-00	86	822626Q02	REC35-822626Q04	225	83868M	REC679-45536-00	331
80923M	REC650-45635-00	323	822626T7	REC35-822626Q15	233	83880M	REC679-45331-00	329
809463A1	PH375-0008	132	822777Q1	CM822777	197	83881M	REC679-44150-10	331
809570-1	REC809570-1	93-105	822870A1	PH200-T003	151	83882M	REC679-44150-00	331
809664A 1	CMPNCF16A	198	823034T	REC803034T	140-147	83883M	REC679-44152-00	331
809885A2	PH200-T003	151	82334M	REC99001-08600-00	313	84-813706A26	REC84-813706A26	125
810749-2	REC8107492	95-96-103	82346M	REC93501-04011	311	84-813715A1	REC15-203	125
810749-3	REC8107493	95-96-103	823547-1	REC8235471	301	84-816492A1	REC8M0144930	159
810937M	REC6G1-81970-62	138	823547A2	REC823547A2	174	84-819514T26	PH200-WHO1	151
810937T	REC6G1-81970-62	138	82364M	REC93606-12019	233-313	84-826075A2	PH200-WHO1	151
810945M	CM6L5-45251-02	315-319	823653A5/A9	PH200-T008	152	84-826802A4	PH200-WHO1	151
811618A1	REC893929A01	151	823912-1	TEN00813	202	84-881908T	REC84-881908T3	125
811990M	TEN01116	322	823913Q	TEN00824	287-316	84-881908T	REC84-881908T4	125
812843A1	REC893929A01	151	824519-1	REC8245191	307-335-337	84-8M0144930	REC8M0144930	159
812887-1	REC812887002	168	825045A2	PAF25-05050301	217-221	84-8M3001068	REC8M0144930	159
812929-1	REC812929-1	303	825118T	PAT5-03000500	289	84-99215A26	REC84-813706A26	125
812945 1	REC43-8129451	289	825212A1	REC825212T02	162	84019M	REC682-44147-00	323
813442A1	REC893929A01	151	825212T02	REC825212T02	68-205	84020M	REC682-44176-00	323
813442A2	REC893929A01	151	82547A2	REC823547A2	301	84022M	REC682-44365-00	323
81408M	REC663-44144-01	333	825667T	REC669-85540-29	140	84023M	REC682-44312-00	323
81409M	REC663-44151-00	333	826134Q	CM826134	305-307-335-337	84025M	REC682-44322-00	181
81419M	REC663-44322-00	181-196-333	826134Q	CM826134A	305-307-335-337	84025M	REC682-44322-00	323
81420M	REC663-44323-00	181-333	826134Q	REC826134QAL	69-70-199-303	84026M	REC682-44323-40	181
81426M	REC663-44366-00	313	826191T 4	REC2704-826191T4K	252-253	84064M	PAF15-06070002	323
814453M	REC6A1-W0078-01	184	826398T3	PAF25-05130000	84	84072M	REC683-44373-00	323
81445M	REC6A1-W0078-01	315				84076T	REC683-45361-01-40	323
81446M	REC663-45331-00-94	333				84141M	REC663-24411-00	89
814481M	REC6E7-W0093-01	101-104				84188T	REC663-W0078-01	187-196-332
81448M	REC663-45375-00	331				842121M	REC682-44323-40	323
81449M	REC663-45376-00	331				84262M	REC677-24411-02	89
814554T01	REC6F5-12411-03	162-251				84265M	REC677-24471-01	89

RO/OEM	REF		RO/OEM	REF		RO/OEM	REF	
8M0071855	REC3G2-06060-2	141	8M0100526	RECMC00004	186	94622M	REC682-45376-01	323
8M0075040	REC27-8M0075040	297	8M0103288	REC8M0103288	87-88-89	94624M	REC682-44328-00	323
8M0075245	REC8M0075245	158	8M0103289	REC8M0103289	86-88-89	95188T	REC6E7-85570-19	116
8M0075845	REC8M0098264	153	8M0106635	REC35-8M0106635	70-78-82-83	95218 11	PAF8-04000021	291
8M0080349	REC8M0080349	249-271	8M0109700	REC8M0151044	347	95368 3	REC90340-08002	291
8M0080357	REC39-803678A1	248	8M0112903	REC27-8M0142616	309	95405M	REC677-26301-02	107
8M0080357	REC8M0080357	244-248-271	8M0117413	PAF15-07000031	223	95417M	REC679-45321-02	329
8M0080450	PAF4-03000012	319	8M0117413	REC67F-12411-01	163	95495M	REC677-14343-68	104
8M0082479	PREKM63706	160	8M0117413	REC8M0117413	162-164	95632M	REC688-45341-00	311
8M0082480	PREKM63707	160	8M0118176	PAF40-05050000	84	95652M	REC689-W4432-01	196-325
8M0082481	PREKM63708	160	8M0118179	REC8M0045278	223	95654M	REC689-44323-00	325
8M0082482	PREKM63709	160	8M0118194	PAF60-05000005	223	95661T	REC689-W0078-A6	185
8M0082483	PREKM63710	160	8M0122423	RAC31871	78	9612A 6	REC640-9612A7	249-270-271
8M0082484	PREKM63711	160	8M0122423	REC35-8M0122423	78	96302M	REC6E0-44322-02	319
8M0082485	PREKM63712	160	8M0126670	CMVERADO6KITA	198	96303M	PAF4-03000015	319
8M0082486	PREKM63713	160	8M0126670	CMVERADO6KITM	198	96306M	PAF4-03000020	319
8M0082487	PREKM63714	160	8M0131240	PAF8-04000019	353	96309M	PAF4-03000005	319
8M0082488	PREKM63715	160	8M0133642	REC8M0133642	139	96318M	PAF4-03050001	319
8M0082489	PREKM63716	160	8M0134459	REC8M0134459	98-99	96325T	REC6E0-W0078-A2	319
8M0082490	PREKM63717	160	8M0134464	REC8M0134464	87	96452A1-A4-A5	REC96452A4	143
8M0082491	PREKM63718	160	8M0134472	REC8M0134472	117-119	96455A1	REC96455A8	143
8M0082492	PREKM63719	160	8M0134477	REC8M0134477	138	96455A18	REC96455T18	143
8M0082493	PREKM63720	160	8M0134492	REC8M0134492	179-298	96455A4, A6, A9	REC96455A9	A8
8M0082494	PREKM63721	160	8M0134493	REC8M0134493	178-298	96455A8	REC96455A8	143
8M0082495	PREKM63722	160	8M0135803	REC334-65021-1	298	96455T18	REC96455T18	143
8M0082496	PREKM63723	160	8M0135804	REC27-8M0135804	298	968-9325M	REC6F6-11111-00-1S	251
8M0082497	PREKM63724	160	8M0135805	REC8M0135805	180-298	97-14205M	TENO1118	320
8M0082529	PRE53006	160	8M0135806	REC27-8M0135806	298	97-18852M	CM6E0-45251-11	321
8M0082530	PRE53007	160	8M0137344	CM41106-ZW9-000A	197	97-823912	TENO0813	207
8M0082531	PRE53008	160	8M0137344	REC41106-ZW9-000AL	298	97-855678	PAF15-07010008	200
8M0082532	PRE53009	160	8M0137347	REC8M0137347	298	97-8M0107550	CMVERADO4KITA	198
8M0082533	PRE53010	160	8M0137816	REC8M0162139	163	97-8M0107550	CMVERADO4KITM	198
8M0082534	PRE53011	160	8M0139434	REC8M0139434	68-162-164	REC97-8M0137814	REC97-8M0137814AL	70-199-309
8M0082535	PRE53012	160	8M0141844	PAF40-05050000	84	97072M	PH130-0007	128
8M0082536	PRE53013	160	8M0142542	REC8M0142542	110-114-115	97077M	REC697-85570-00	118
8M0082537	PRE53014	160	8M0142591	REC8M0089940	152	97091M	REC688-45214-02	329
8M0082538	PRE53015	160	8M0142616	REC27-8M0142616	183	97667M	REC6E9-W0093-03	102-104
8M0082539	PRE53016	160	8M0142690	REC8M0142690	110-114-115	98-8M0135821	REC98-8M0135821	68-185-188-298
8M0082540	PRE53017	160	8M0142835	REC31-884325T01	309	98396A38	SIE18-8004	71
8M0082541	PRE53018	160	8M0143219	REC8M0143219	153	98396A38	SIE18-8005	71
8M0082542	PRE53019	160	8M0146553	REC31-77420A1	309	98432Q6	CM984325	197
8M0082543	PRE53020	160	8M0146566	REC31-36387A1	309	98432Q6	CM984325A	197
8M0082544	PRE53021	160	8M0146938	REC27-8M0146938	309	98432T6	CM984325A	295
8M0082545	PRE53022	160	8M0148668	REC8M0148668	110	98432T6	TENO0812	295
8M0082546	PRE53023	160	8M0151044	REC8M0151044	347	98450A1-A3-A5-A10	REC98450A10	142-147
8M0082547	PRE53024	160	8M0157616	REC35-8M0157620	74	99021A11	REC99021A14	142
8M0082577	PRE3300C05	160	8M0157620	REC35-8M0157620	74	99021A14	REC99021A14	142
8M0082578	PRE3300C06	160	8M0162139	REC8M0162139	163	99021A2, A6, K2	REC99021A6	143-148
8M0082579	PRE3300C07	160	8M125617	REC8M0125617	109	99021A3, A5, A8, A13, A15, A16	REC99021A16	143-148
8M0082580	PRE3300C08	160	8M2000347	REC8M2011027	309	99041M	REC6E7-45551-00	322
8M0082581	PRE3300C09	160	8M4503518	PAGB/T5783-M6X20	223	99042M	REC90179-08M06	322
8M0082582	PRE3300C10	160	8M6000359	REC8M6000359	106	99186-1	REC826729A10	152
8M0082583	PRE3300C11	160	8M6000366	REC27-8M6000366	227	99186/T	REC826729A10	152
8M0082584	PRE3300C12	160	8M6000634	REC8M6000634	111	99660A1	REC89329A01	151
8M0082585	PRE3300C13	160	8M6000637	REC8M6000637	111	99993M	REC6E0-41114-A1	169
8M0082586	PRE3300C14	160	8M6000639	REC8M6000639	110	F747095	REC398-832074A4	145
8M0082587	PRE3300C15	160	8M6000652	REC8M6002428	98-99	F749095	REC398-8778A29	145
8M0082588	PRE3300C16	160	8M6002428	REC8M6002428	98-99	F97068-2	REC895338	163
8M0082589	PRE3300C17	160	8M6003194	REC8M6003194	113			
8M0082590	PRE3300C18	160	900-835430A1	PAF15-07040000	211			
8M0082591	PRE3300C19	160	900-835430T03	PAF8-05030100	207			
8M0082592	PRE3300C20	160	90363A1	REC90363A1	91-96			
8M0082593	PRE3300C21	160	90890-06820	REC90890-06820	286			
8M0082594	PRE3300C22	160	91-12037	REC91-12037	284			
8M0082595	PRE3300C23	160	91-31107T	REC91-31107T	284			
8M0082596	PRE3300C24	160	91-31229	REC91-31229	283			
8M0082597	PRE3300C25	160	91-31229A7	RM91-31229A7	284			
8M0082598	PRE3300C26	160	91-34569A1	REC91-34569A1	283			
8M0082599	PRE3300C27	160	91-36569T	REC91-36569T	283			
8M0082600	PRE3300C28	160	91-43506T	REC91-43506T	285			
8M0082601	PRE3300C29	160	91-56048001	REC91-56048001	285			
8M0082602	PRE3300C30	160	91-56775T	REC91-56775T	285			
8M0082603	PRE3300C31	160	91-60523	REC91-60523	285			
8M0082604	PRE3300C34	160	91-60526T	REC91-60526T	285			
8M0082605	PRE3300C36	160	91-61067A04	REC91-61067A04	285			
8M0082606	PRE3300C38	160	91-61069T	REC91-61069T	285			
8M0082880	REC09168-10022	68-298	91-61077T	REC91-61077T	285			
8M0082988	REC8M0082988	112	91-821887T1	REC91-859046Q4	284			
8M0084244	REC17-43043	309	91-83164M	REC90890-06820	286			
8M0088080	REC8M0088080	174-189-304	91-859046Q3	REC91-859046Q3	284			
8M0088081	REC8M0088081	175-189-304	91-895343T01	REC91-895343T02	286			
8M0088351	REC8M0133642	139	91-895343T02	REC91-895343T02	286			
8M0089940	REC8M0089940	152	91-8M0072133	REC55005	286			
8M0090819	REC892864T06	163	91748M	REC6E0-24471-00	89			
8M0091468	REC68V-24410-00	84	91753M	REC6E0-24411-00	89			
8M0091784	REC8M0091784	98-99	92-858026QB1	RM92-858026QB1U6	83			
8M0091976	REC6G1-81970-62	138	92-858027QB1	RM92-858027QB1U3	83			
8M0092849	REC8M0092849	150	92-8M0086220	RM92-8M0086220U6	83			
8M0092850	REC8M0092849	150	92-8M0086221	RM92-8M0086221U3	83			
8M0097838	RAC320R-RAC-01	75	92459A4	PH200-T008	152			
8M0098264	REC8M0098264	153	92520M	REC6A1-W0093-01	100-104			
8M0098898	PH375-0042	132	93224A1	REC93224A1	317			
8M0099896	PAF15-07010008	200	94286T1	CM942860	197			