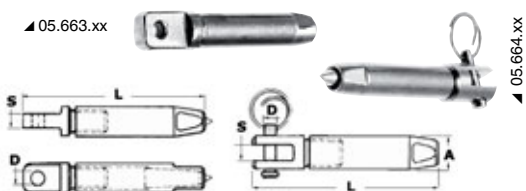




► Terminals and hooks



Terminals made of AISI 316 stainless steel for PARAFIL cables

Code	Version	Line Ø mm	S mm	D mm	L mm	A mm
05.663.07	With eye	7	6.5	6.1	74	11
05.663.09	With eye	9	7	6.1	74	14
05.664.07	With eye	7	6	4.5	75	11
05.664.09	With eye	9	6	4.5	76	14



Terminals for stainless steel lifelines

Easy installation in a matter of seconds, fitted with stainless steel side socket-head screws.

Code	Version	For plastic-coated cables Ø mm	For bare cables Ø mm
05.662.06	With eye	6	5/6
05.662.08	With eye	8	7/8
05.762.06	With fork	6	5/6
05.762.08	With fork	8	7/8



Pelican hook shackle for openable guardrails

Made of **stainless steel**, fitted with self-regulator, can be used with 6/8 mm rigging screws or mounted directly on the line.

Code	A mm	B mm	D opened mm	D closed mm
05.146.00	6.5	13.5	120	95



Press-fitting cable terminals with T coupling, made of stainless steel

Code	For cables Ø mm
05.192.03	3
05.192.04	4
05.192.05	5
05.192.06	6
05.192.08	8
05.192.10	10



Plates with raised oval hole, made of stainless steel

Code	For hooking T terminals model	Cable mm	←→ mm
05.196.03	05.192.03	2/3	50x15
05.196.05	05.192.04; 05.192.05	4/5	88x26
05.196.06	05.192.06	6/7	123x38
05.196.08	05.192.08; 05.192.10	8/10	151x38



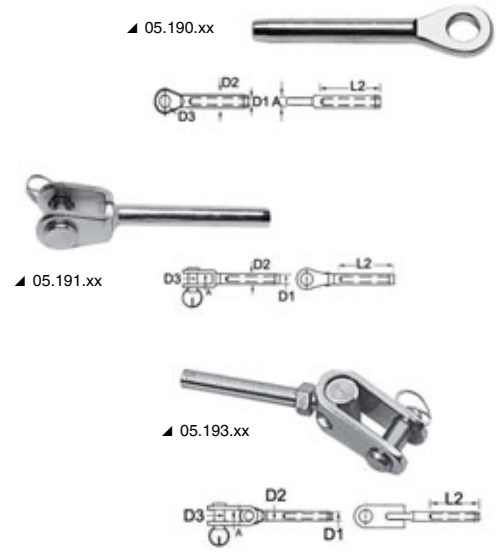
Pelican hook shackles, openable

Made of mirror polished **stainless steel**, includes press-fitting stay terminal.

Code	S.S. Cable	Coated	Thread mm
05.283.01	3	3x6	6
05.283.02	4	4x7/8	6
05.283.04	4	4x7/8	8
05.283.03	5	5x10	8

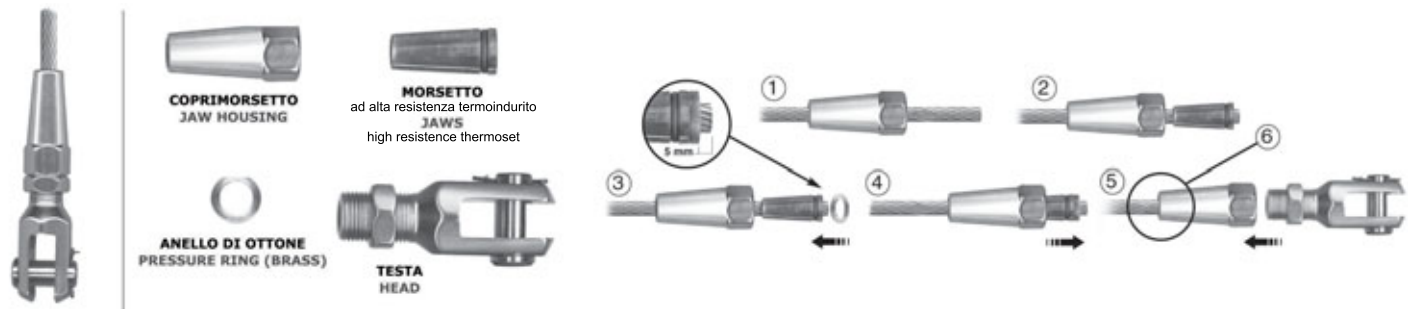
Press-fitting terminals made of AISI 316 stainless steel

Code	Version	Ø cable size mm	D3 mm	D1 mm	D2 mm	L2 mm	A mm
05.190.25	Eye	2.5	5.5	2.5	5.5	32	3
05.190.03	Eye	3	6.5	3.5	6.35	38	4
05.190.04	Eye	4	8.5	4.4	7.5	45	5
05.190.05	Eye	5	10.5	5.3	9	51	6
05.190.06	Eye	6	13	6.3	12.5	64	8
05.190.07	Eye	7	13	7.5	14.3	70	9
05.190.08	Eye	8	14.5	8.4	16	83	10
05.190.10	Eye	10	16.3	10.5	17.8	89	11
05.190.12	Eye	12	19.3	12.5	21.4	105	15
05.191.25	Toggle	2.5	5	2.5	5.5	32	-
05.191.03	Toggle	3	5	3.5	6.35	38	-
05.191.04	Toggle	4	8	4.4	7.5	45	-
05.191.05	Toggle	5	10	5.3	9	51	-
05.191.06	Toggle	6	12	6.3	12.5	64	-
05.191.08	Toggle	8	12	8.4	16	83	-
05.191.10	Toggle	10	16	10.5	17.8	89	-
05.191.12	Toggle	12	19	12.5	21.4	105	-
05.193.03	Swivel toggle	3	6.3	3.5	6.35	38	-
05.193.04	Swivel toggle	4	8	4.4	7.5	45	-
05.193.05	Swivel toggle	5	9.5	5.3	9	51	-
05.193.06	Swivel toggle	6	11	6.3	12.5	64	-



► AISI 316 stainless steel terminals, Danish system

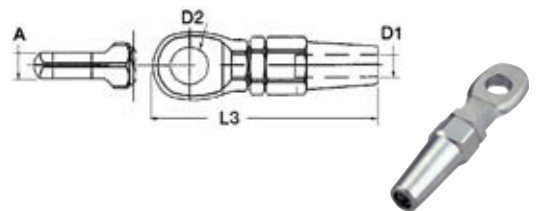
Fast and simple installation by placing the steel cable into the hole.



Eyelet terminals

To be used with AISI316 stainless steel 19/49/133-wire ropes.

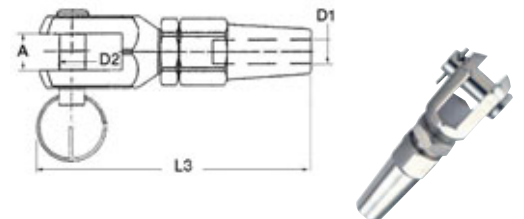
Code	For cables mm	L3 mm	A mm	D1 mm	D2 mm	Break load kg
05.219.03	3	58	6	3	6.5	700
05.219.04	4	68	7	4	8.3	1500
05.219.05	5	78	8	5	10.3	2180
05.219.06	6	94	9	6	12.3	3700
05.219.08	8	116	10.5	8	14.3	5600
05.219.10	10	131	13	10	16.3	8300
05.219.12	12	155	15	12	19.5	12000



Fork terminals

To be used with AISI316 stainless steel 19/49/133-wire ropes.

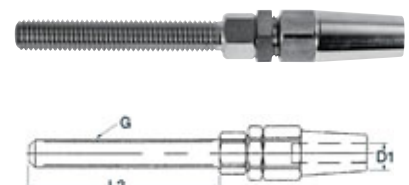
Code	For cables mm	L3 mm	A mm	D1 mm	D2 mm	Break load kg
05.408.03	3	63	6	3	6	700
05.408.04	4	73	8	4	8	1550
05.408.05	5	80	10	5	10	2180
05.408.06	6	92	12	6	12	3700
05.408.08	8	113	14	8	14	5600
05.408.10	10	131	16	10	16	8300
05.408.12	12	157	18	12	19	12000



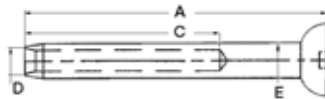
Terminals for fitting into tensioners with right metric screw threads

To be used with AISI316 stainless steel 19/49/133-wire ropes.

Code	For cables mm	L3 mm	D1 mm	G metric mm	Break load kg
05.004.06	3	47	3	6	700
05.004.08	4	57	4	8	1500
05.004.10	5	63	5	10	2180
05.004.12	6	80	6	12	3700
05.004.14	8	89	8	14	5600
05.004.16	10	100	10	16	8300

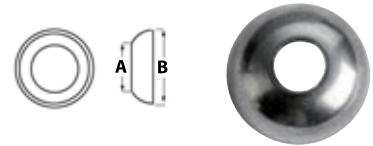


Press-fitting cable terminals with ball head, made of AISI 316 stainless steel



Code	Cable Ø mm	A mm	C mm	D mm	E mm
05.200.04	4	69	45	4.4	7.5
05.200.05	5	79	51	5.3	9
05.200.06	6	90	64	6.5	12.58
05.200.07	7	94	70	7.5	14.2
05.200.08	8	116	83	8.4	16

Terminal slots made of stainless steel



Code	Cable Ø mm	A mm	B mm
05.201.04	3/4	9	26
05.201.05	5	11.2	26
05.201.07	6/7	16	26
05.201.12	8/10	20	34

► Lifeline accessories, thimbles



Base plate for lifeline deck mounting, made of AISI 316 stainless steel

Code	Eye mm	mm
05.860.87	10	62x38



▲ 05.326.xx



▲ 05.327.xx

Stainless steel thimbles

Mirror-polished stainless steel				mm	ORDER BY BOX
(standard version)		(heavy version)			
05.326.02		-		2	10
05.326.25		-		2.5	10
05.326.03		-		3	10
05.326.04		-		4	10
05.326.05		-		5	10
05.326.06		-		6	10
05.326.08		-		8	10
05.326.10		-		10	10
05.326.12		-		12	10
05.326.14		-		14	10
05.326.16	(60 g)	05.327.16	(125 g)	16	-
05.326.18	(78 g)	05.327.18	(156 g)	18	-
05.326.20	(110 g)	05.327.20	(266 g)	20	-
05.326.22	(184 g)	05.327.22	(326 g)	22	-
05.326.24	(224 g)	05.327.24	(505 g)	24	-
-		05.327.28	(590 g)	28	-
-		05.327.30	(930 g)	30/32	-
-		05.327.34	(1320 g)	34/38	-
-		05.327.40	(2085 g)	40	-

Nylon thimble



White nylon	mm	ORDER BY BOX
05.328.04	4	20
05.328.05	5	20
05.328.06	6	10
05.328.08	8	10
05.328.10	10	10
05.328.12	12	20
05.328.14	14	10
05.328.15	15/16	10
05.328.18	18	10
05.328.20	20	10
05.328.22	22	10
05.328.24	24	10

Douglas Marine



bik® thimble made of elastomer

PATENT

Made of special black elastomer. For elastic mooring, they avoid the mooring line to undergo stresses.

Code	Per lines Ø mm	Elastic load kg	Colour
05.380.12	12-14	160	Black
05.380.16	16-18	250	Black
05.380.20	20-22	500	Black